

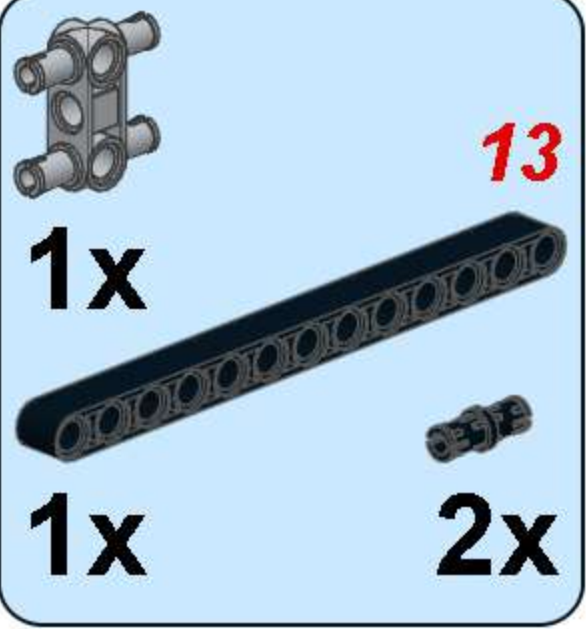
LEGO mindstorms
EV3

EV3GAME



Model Design, Building
and Programming Instructions
by: **Ricardo Oliveira**

1



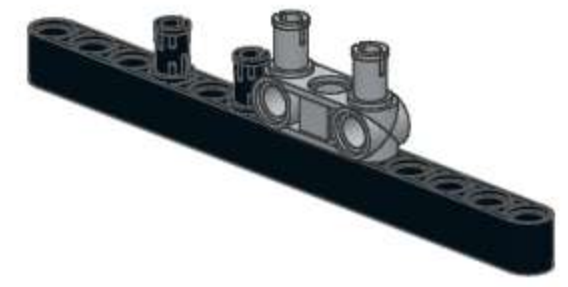
13

1x






1x

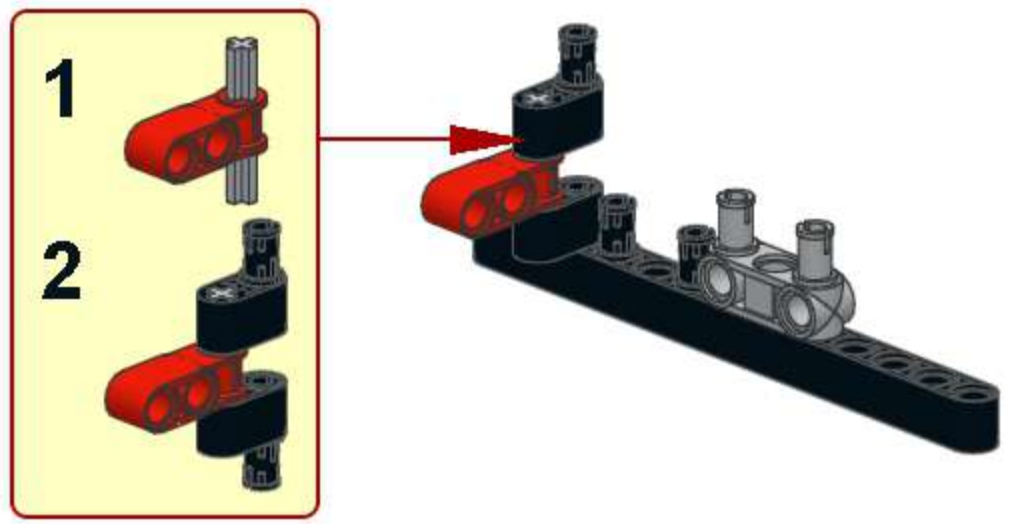
2x

This block contains a parts list for step 1. It features a light blue background with a rounded top-left corner. At the top left is a small grey connector part. Below it is a long black Technic beam with 13 holes. To the right of the beam is a small grey pin. The number '13' is written in red at the top right. The quantities '1x', '1x', and '2x' are written in black below the respective parts.

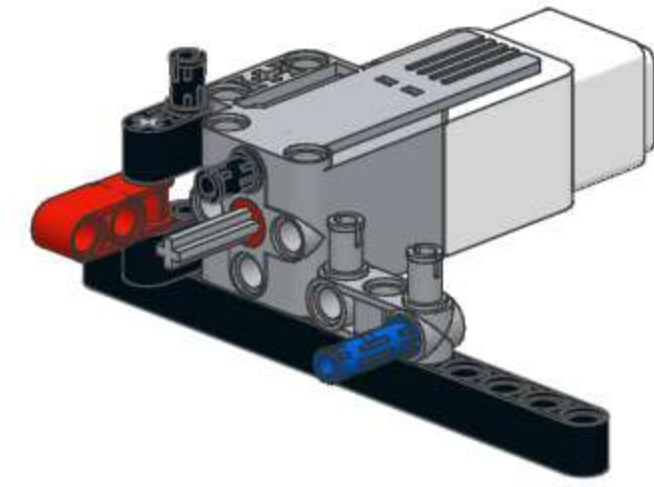
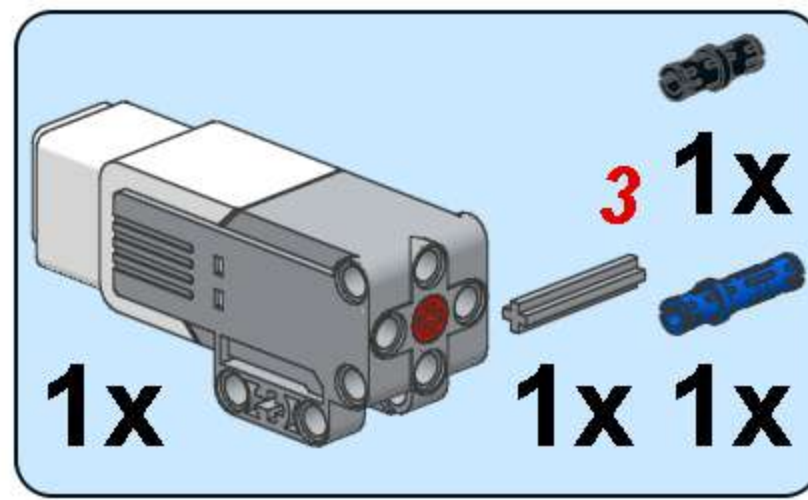


2

- 
- 2x 
- 3 
- 2x 
- 1x 
- 1x 

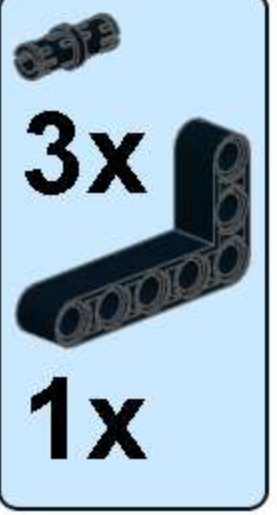


3

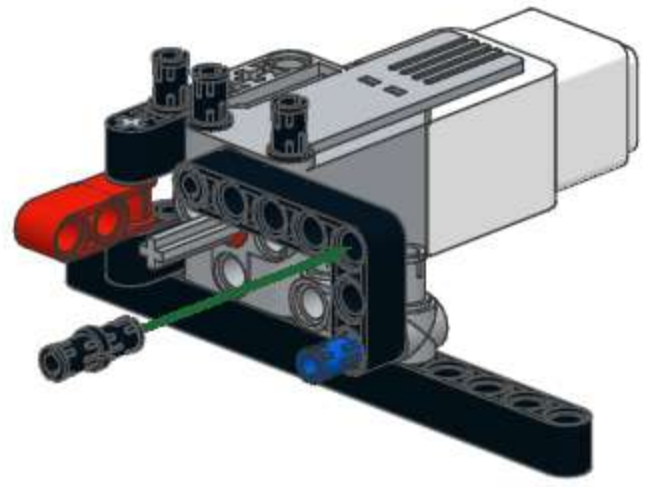


4

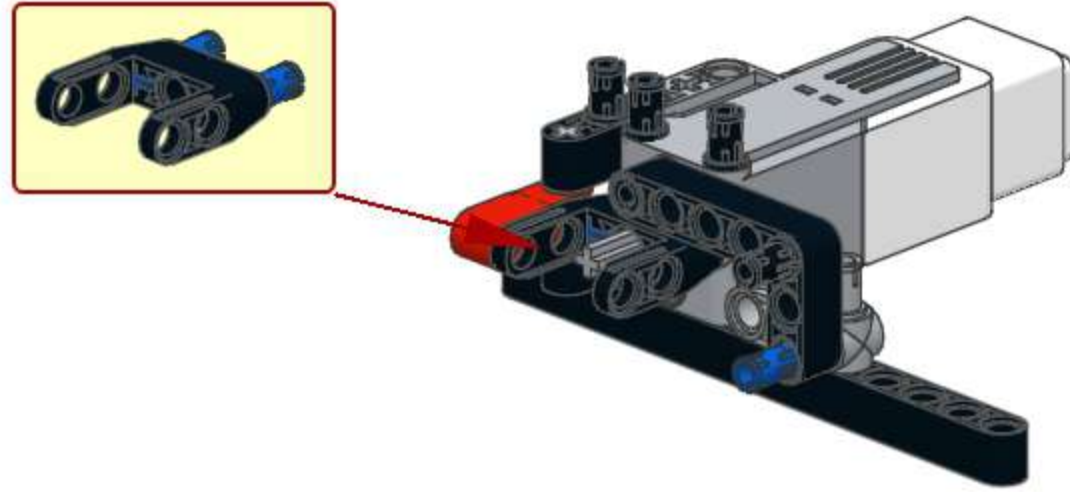
3x



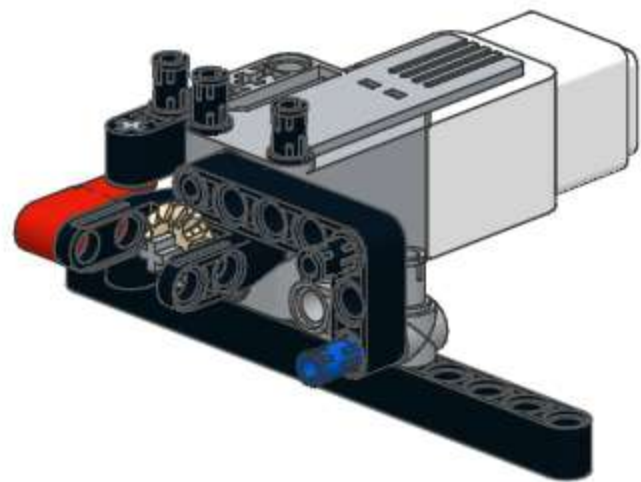
1x




5





6
1x

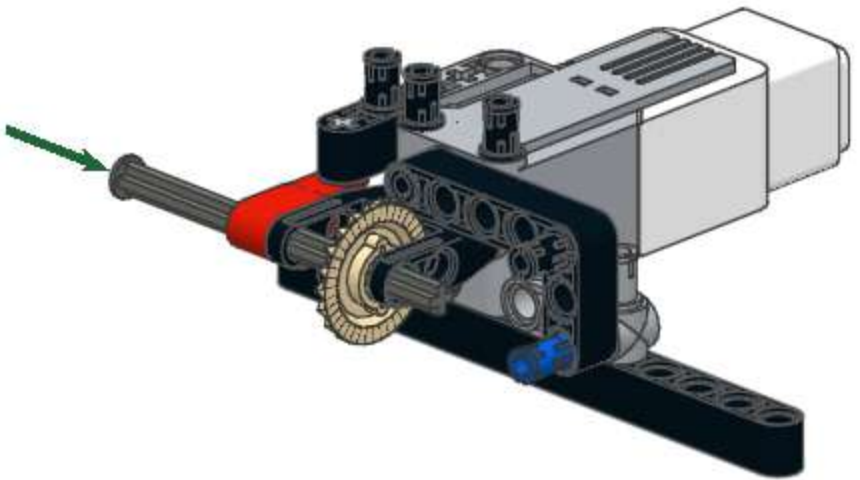


7

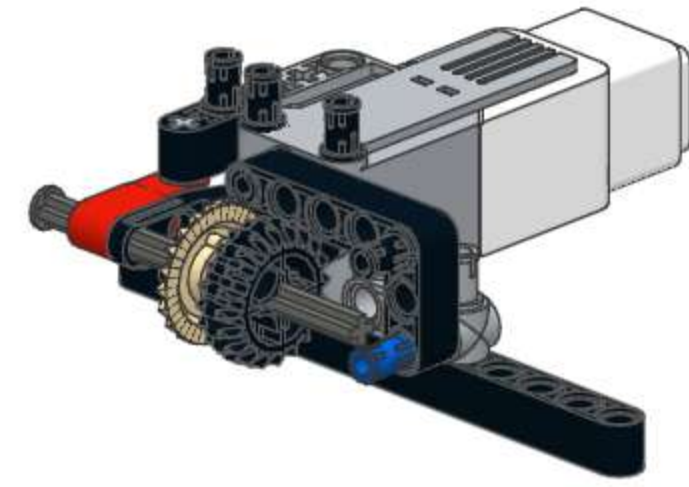
1x 

1x 

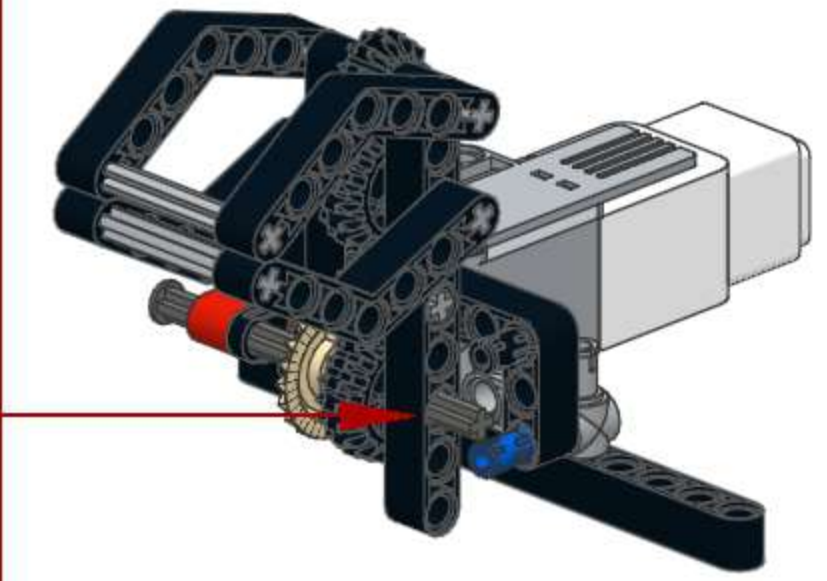
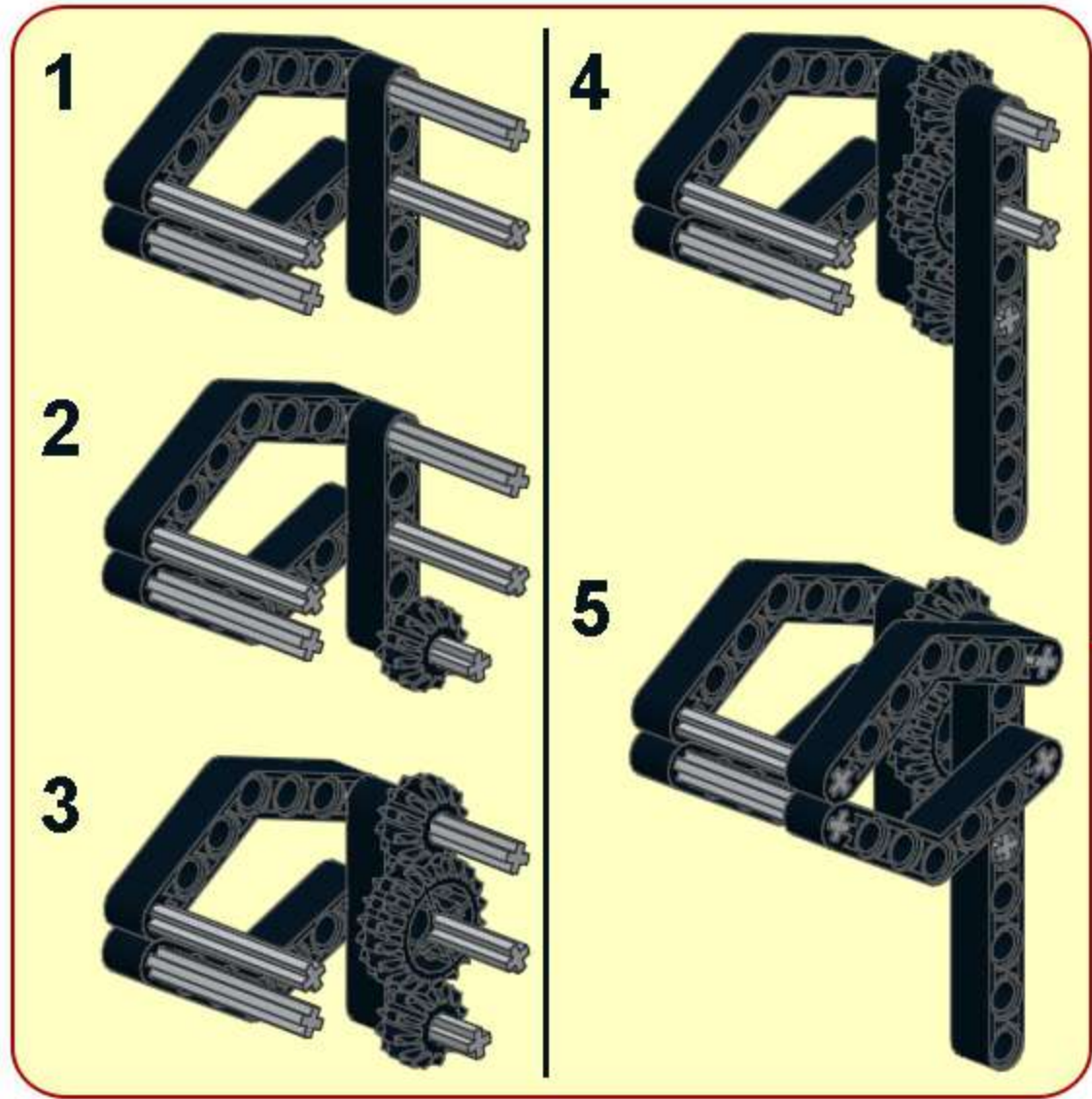
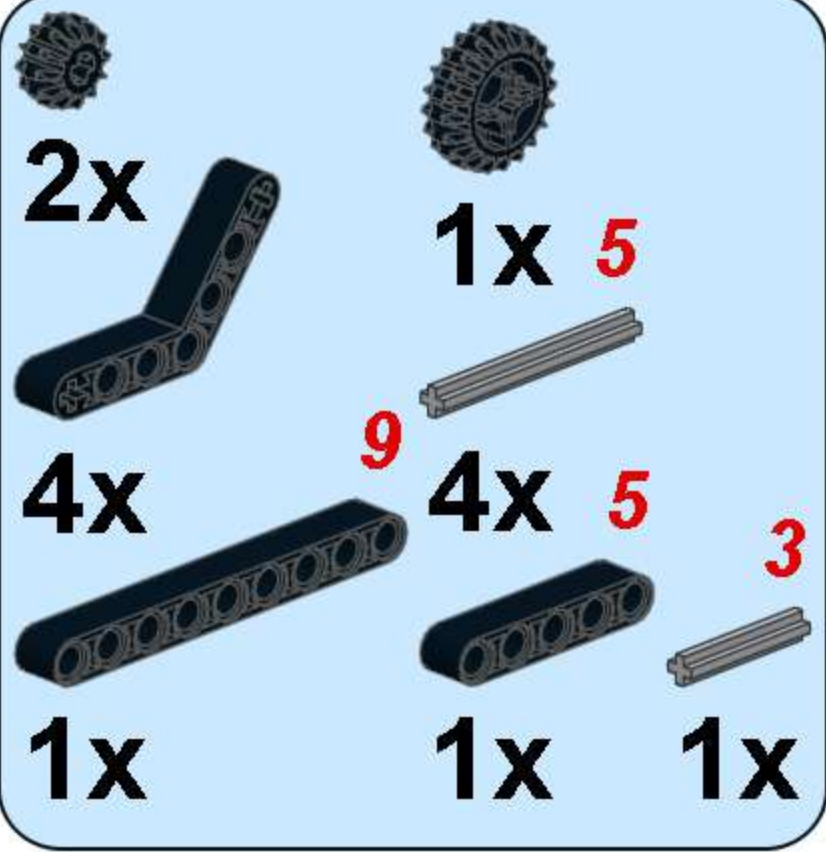
1x 




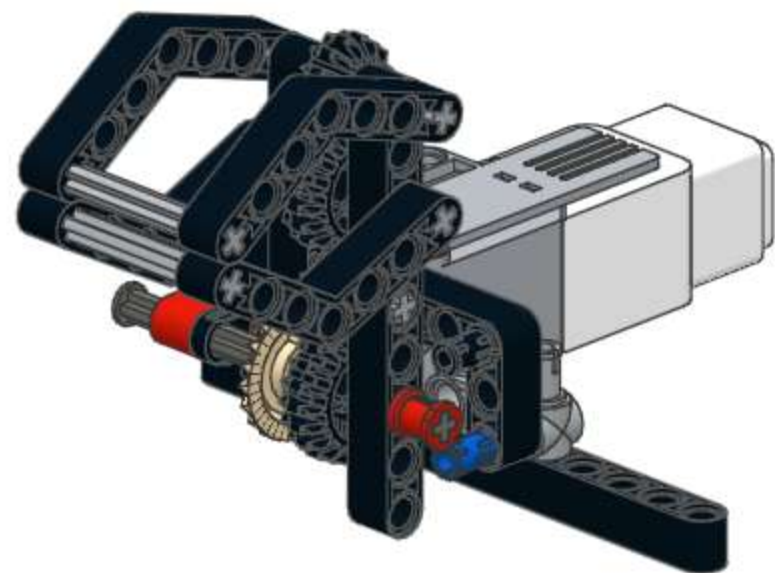
8



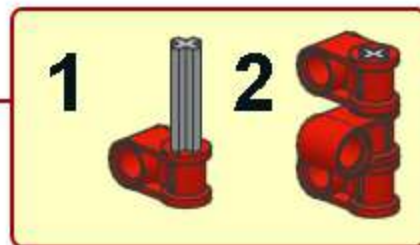
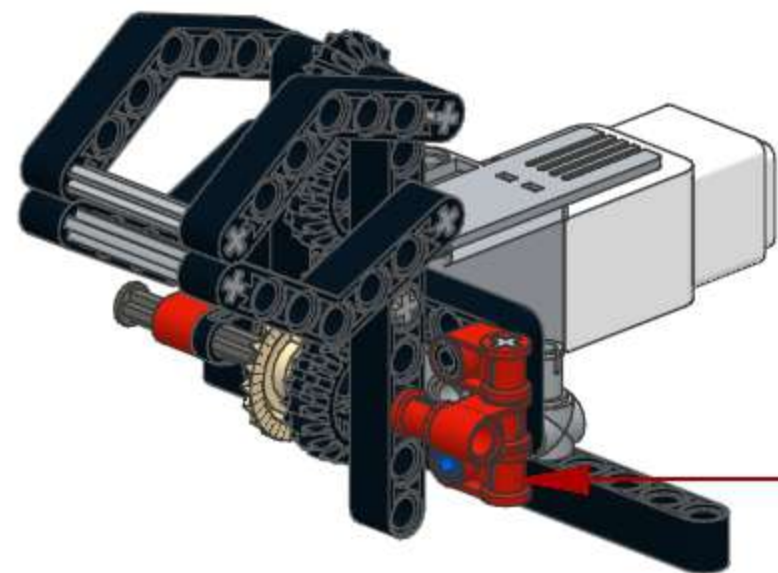
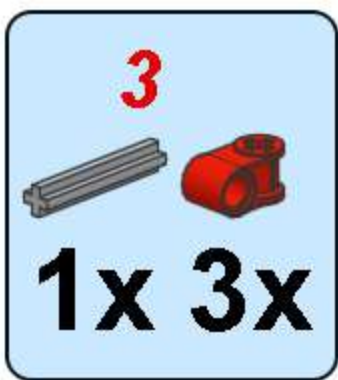
9



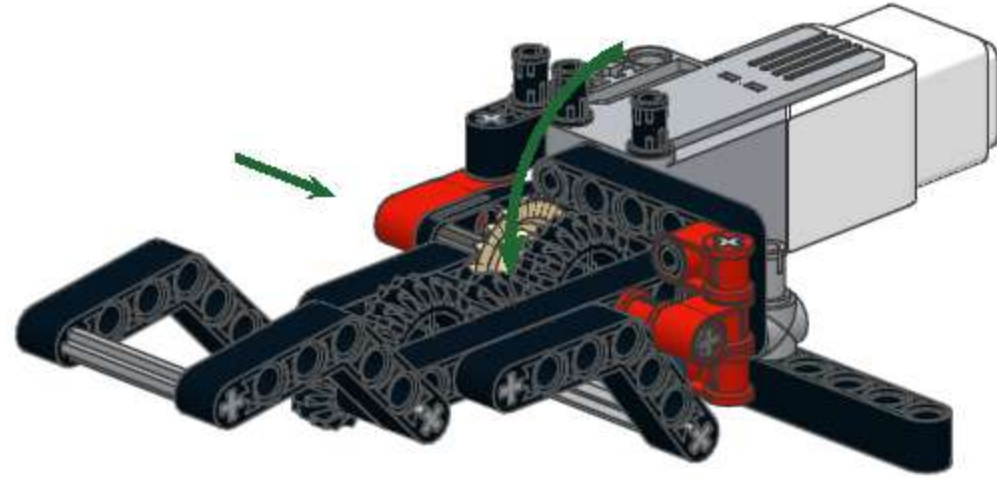
10 
1x



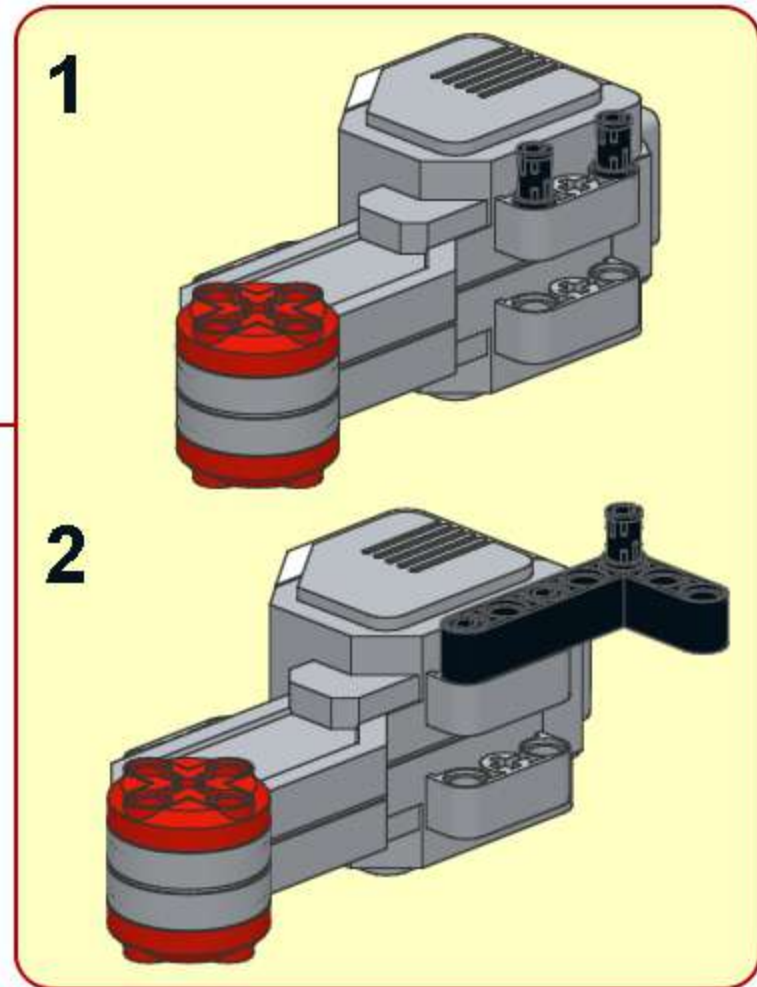
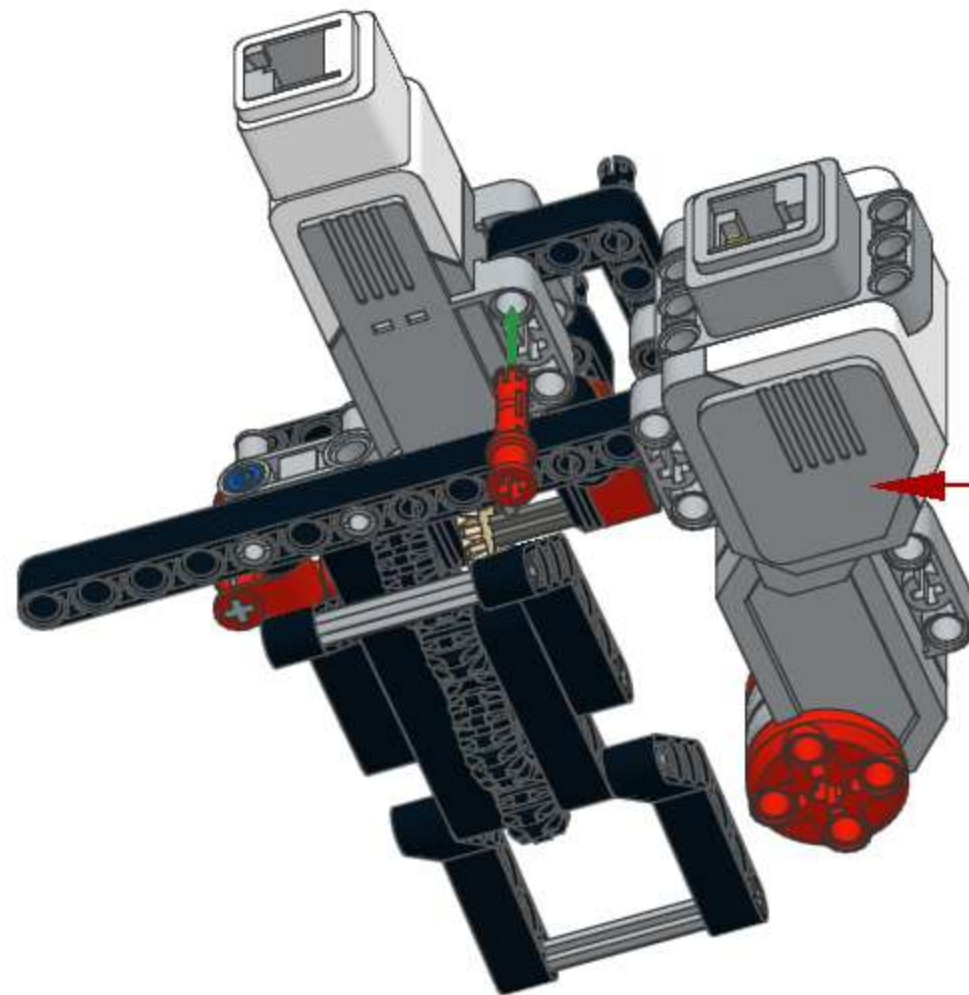
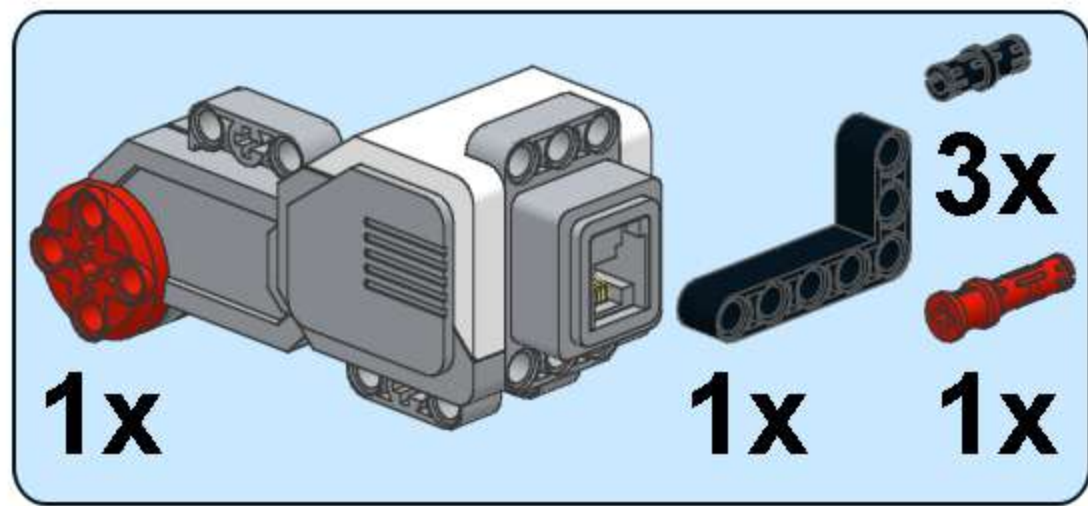
11



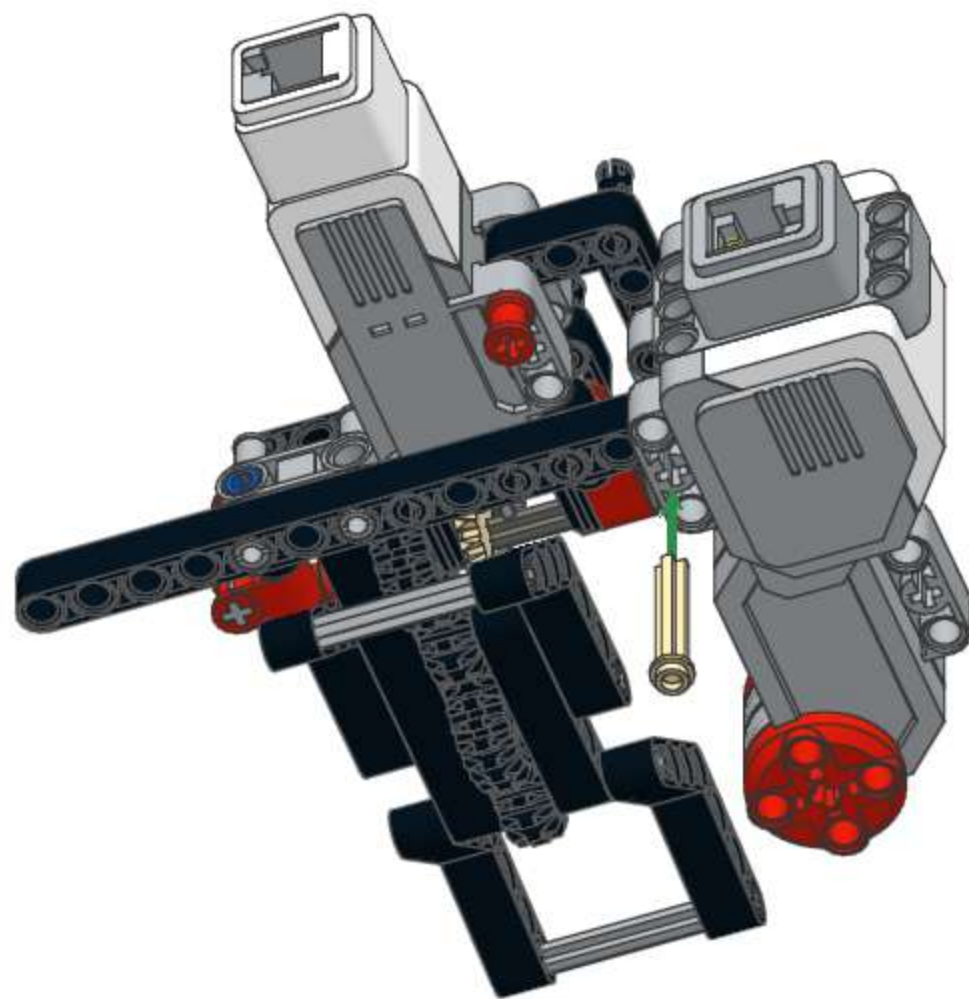
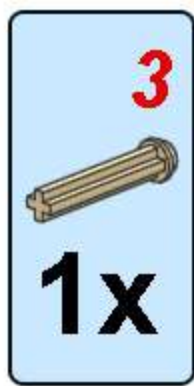
12



13



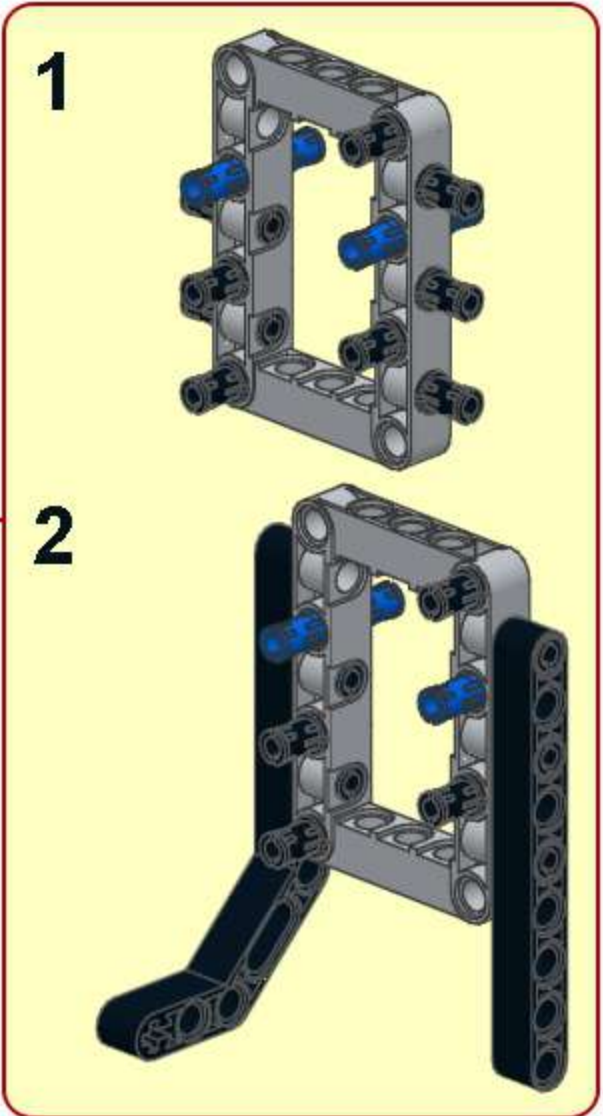
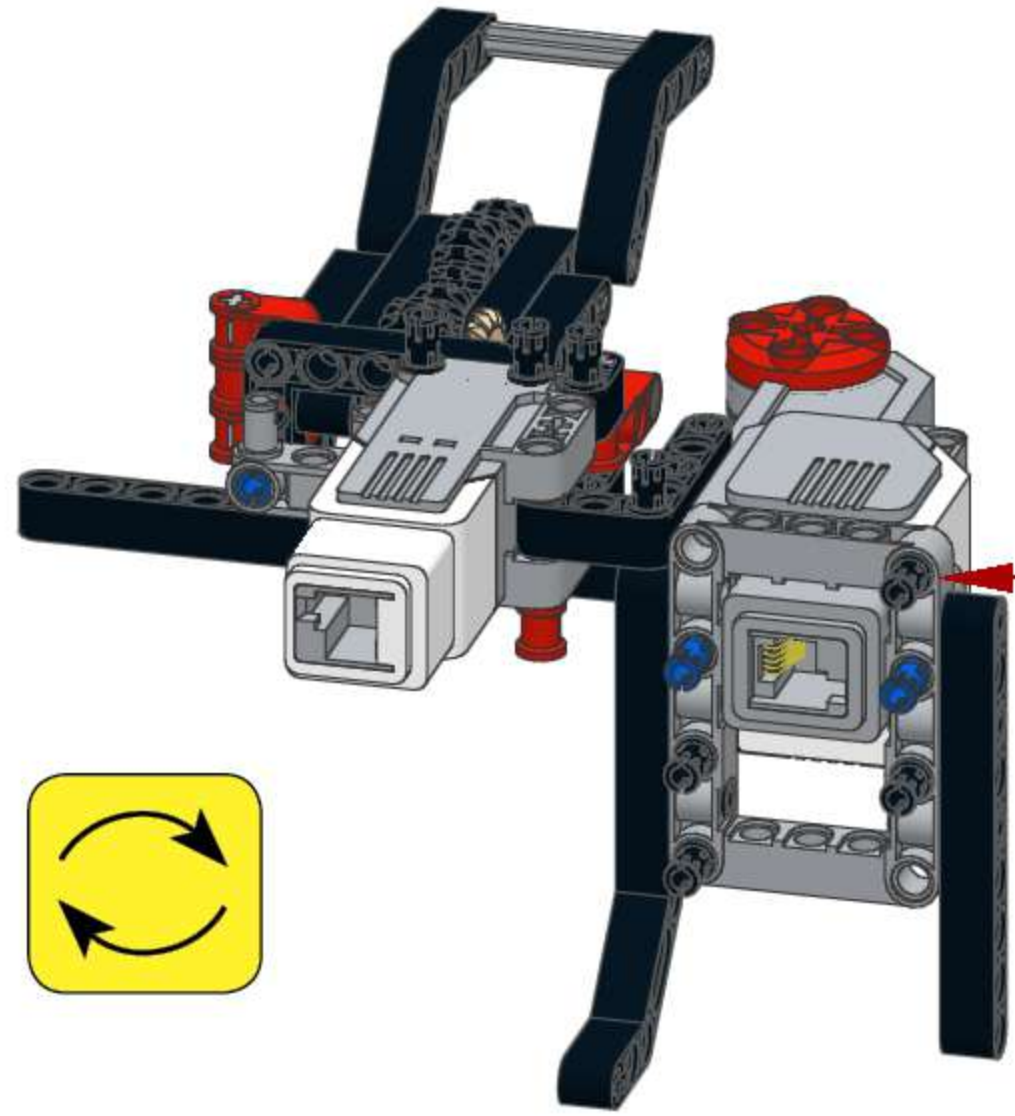
14



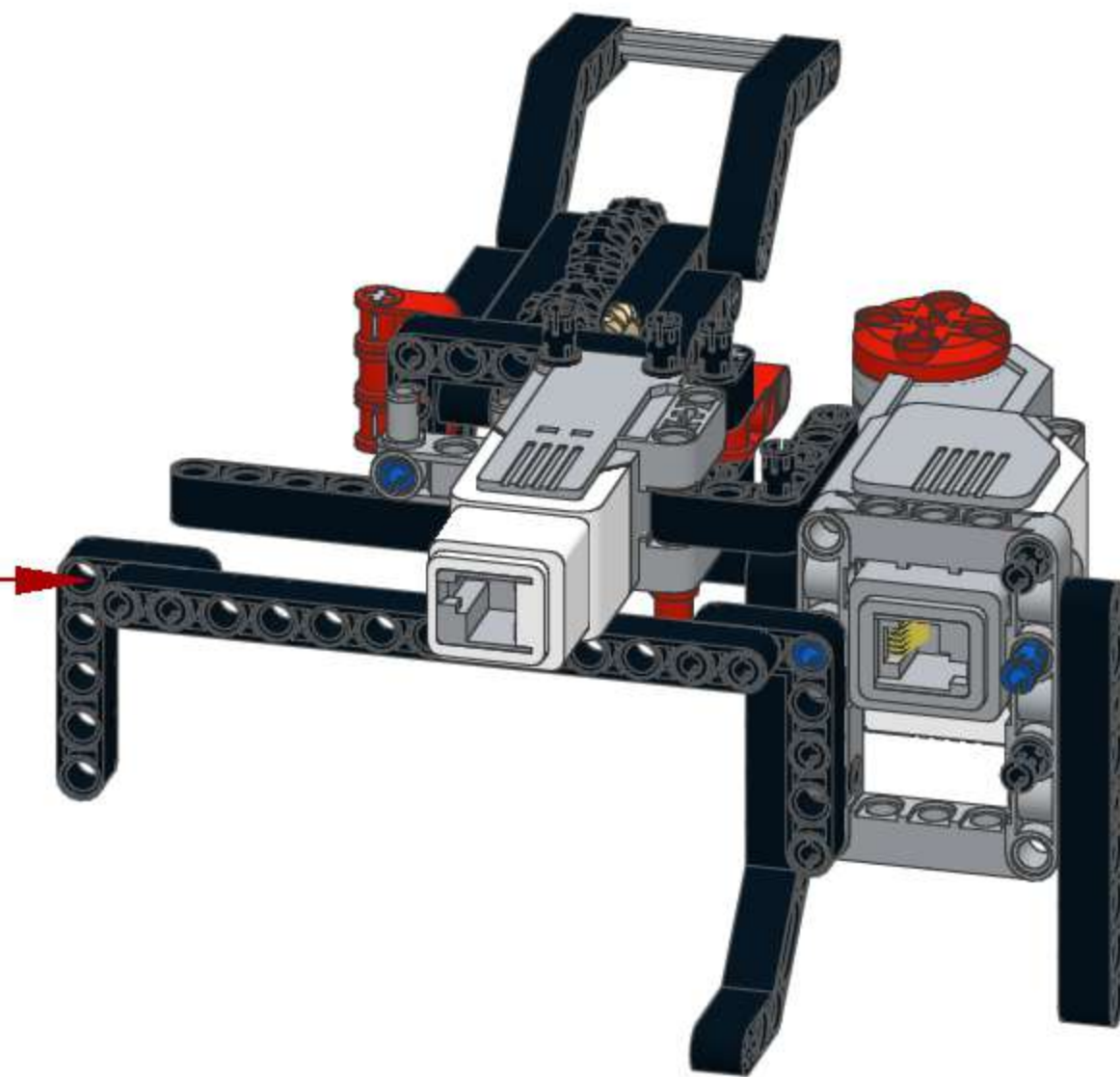
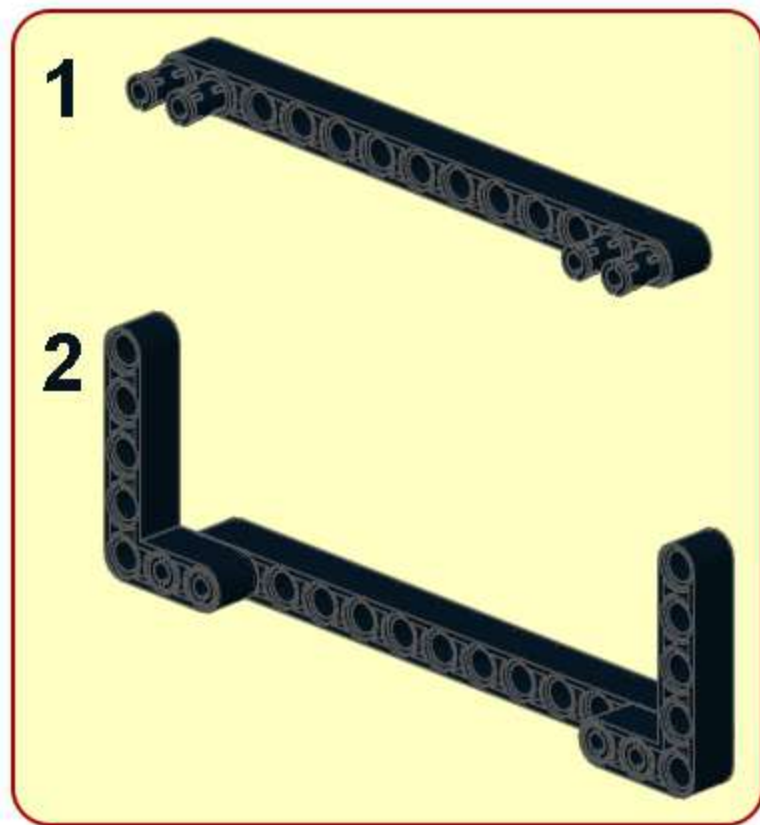
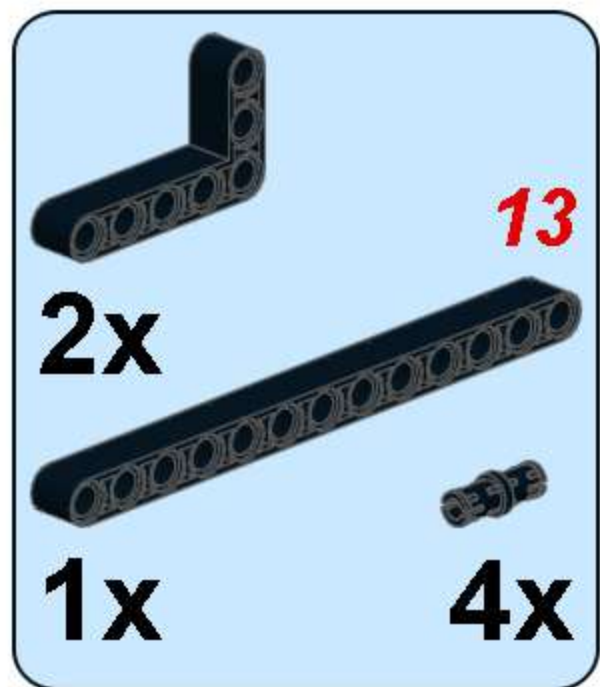
15

9

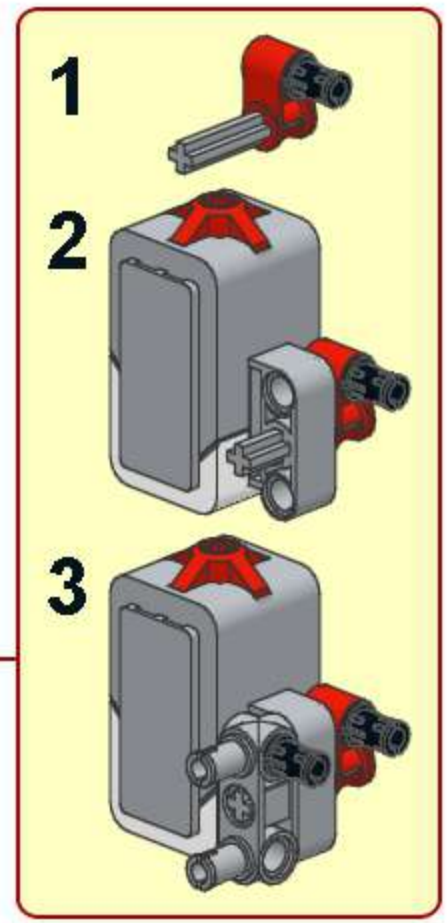
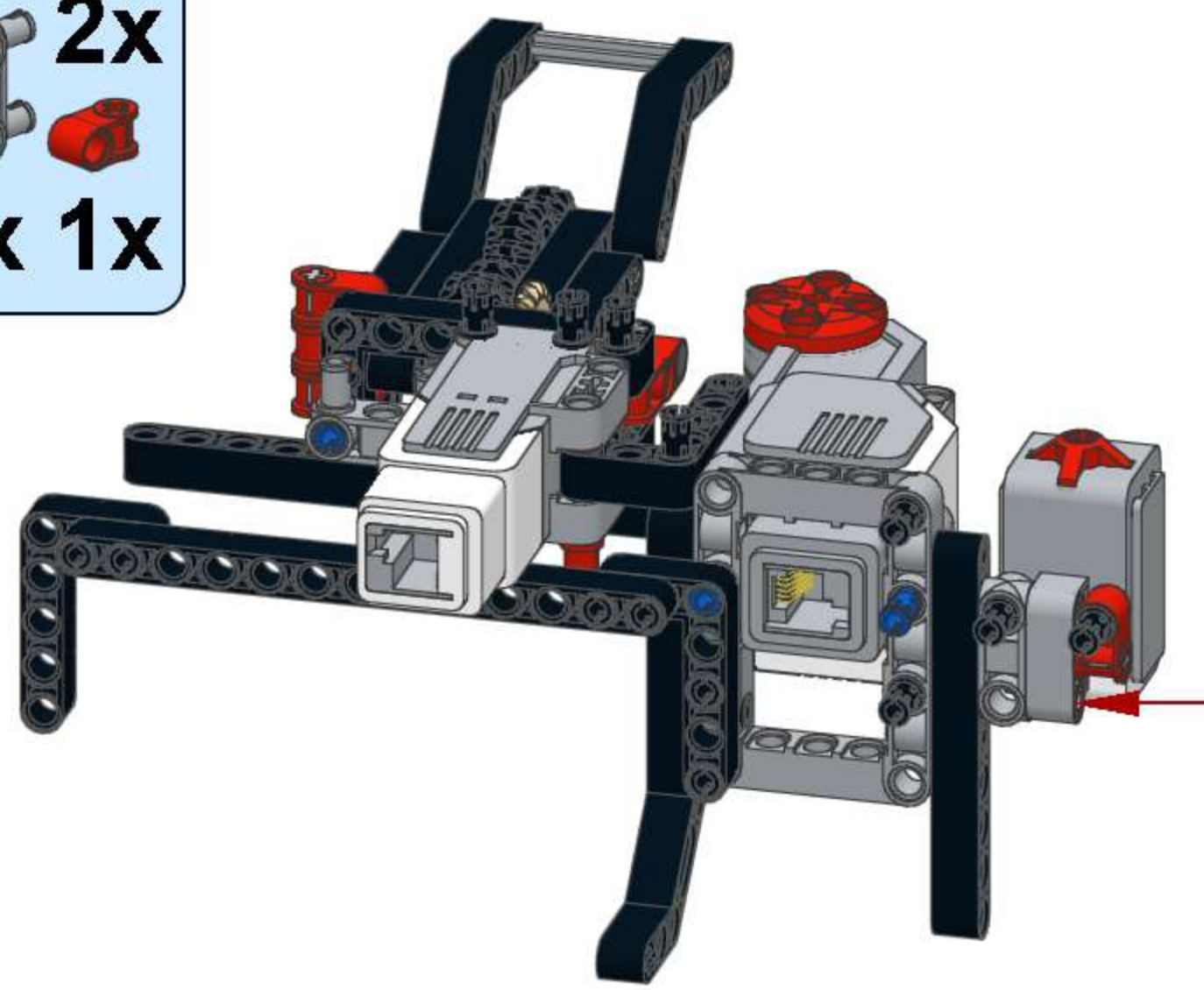
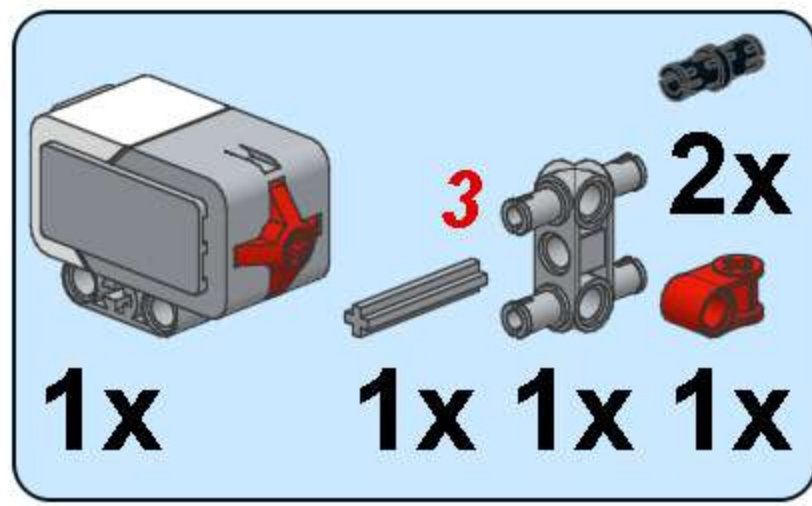
- 1x
- 1x
- 1x
- 9x
- 2x








16







17



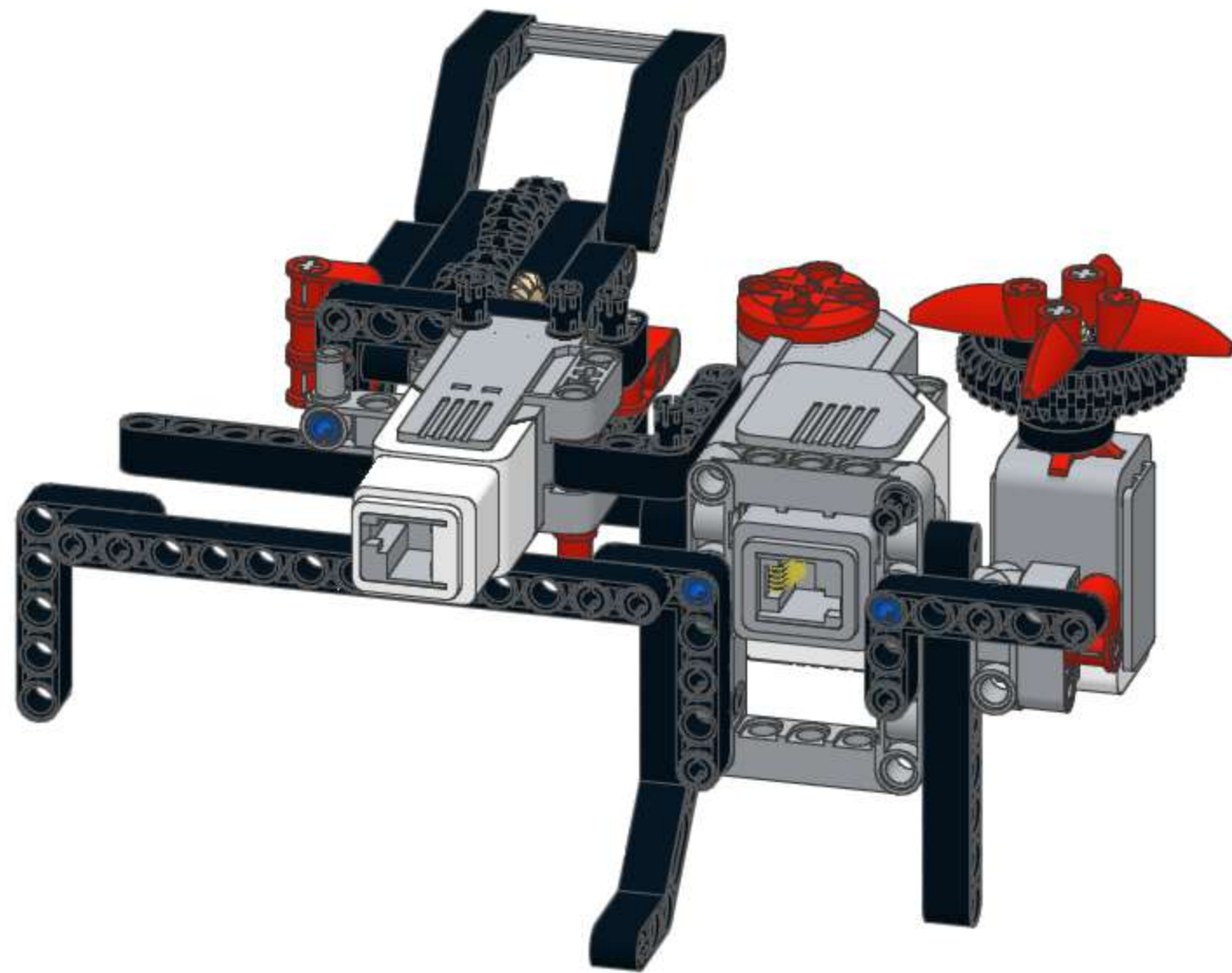
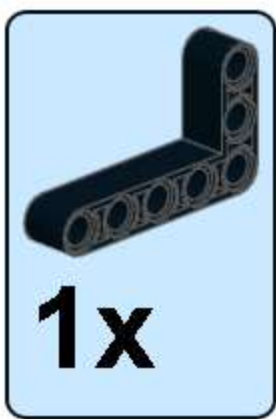
18

			2
4x	2x	2x	
			3
1x	1x	2x	



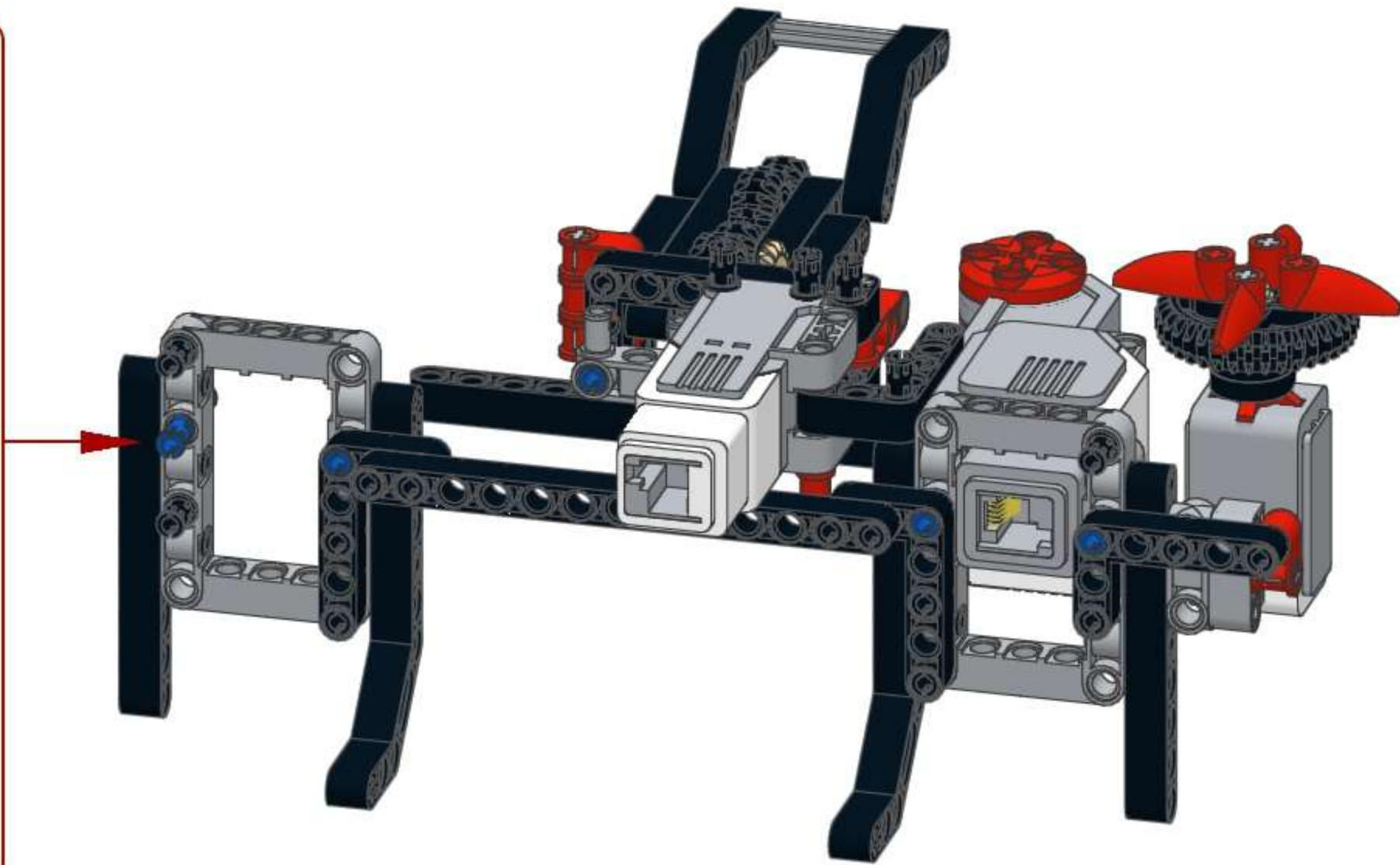
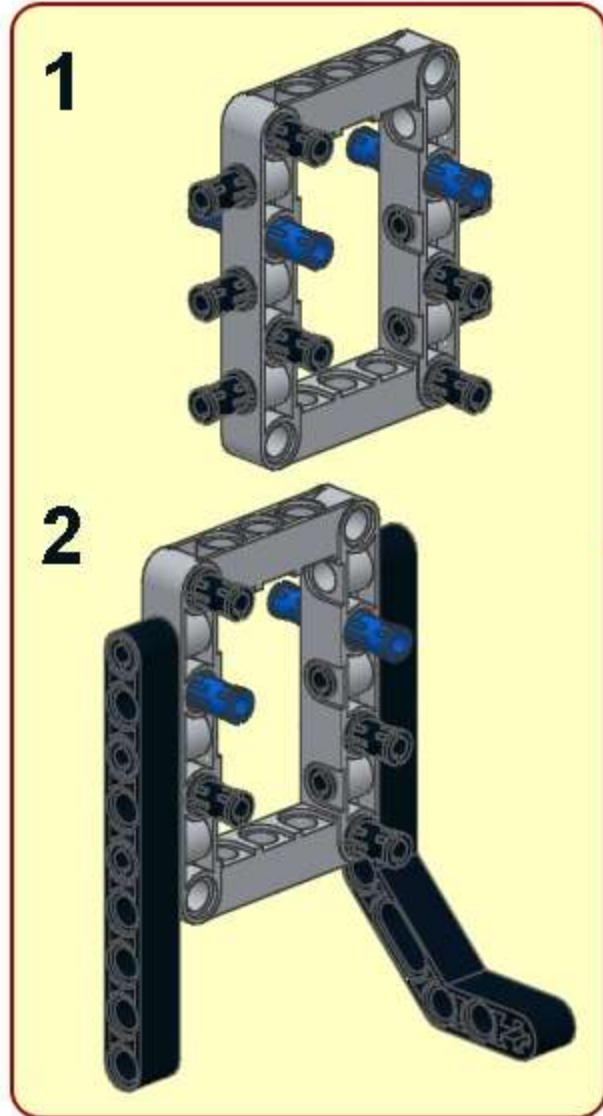
- 
- 
- 
- 

19

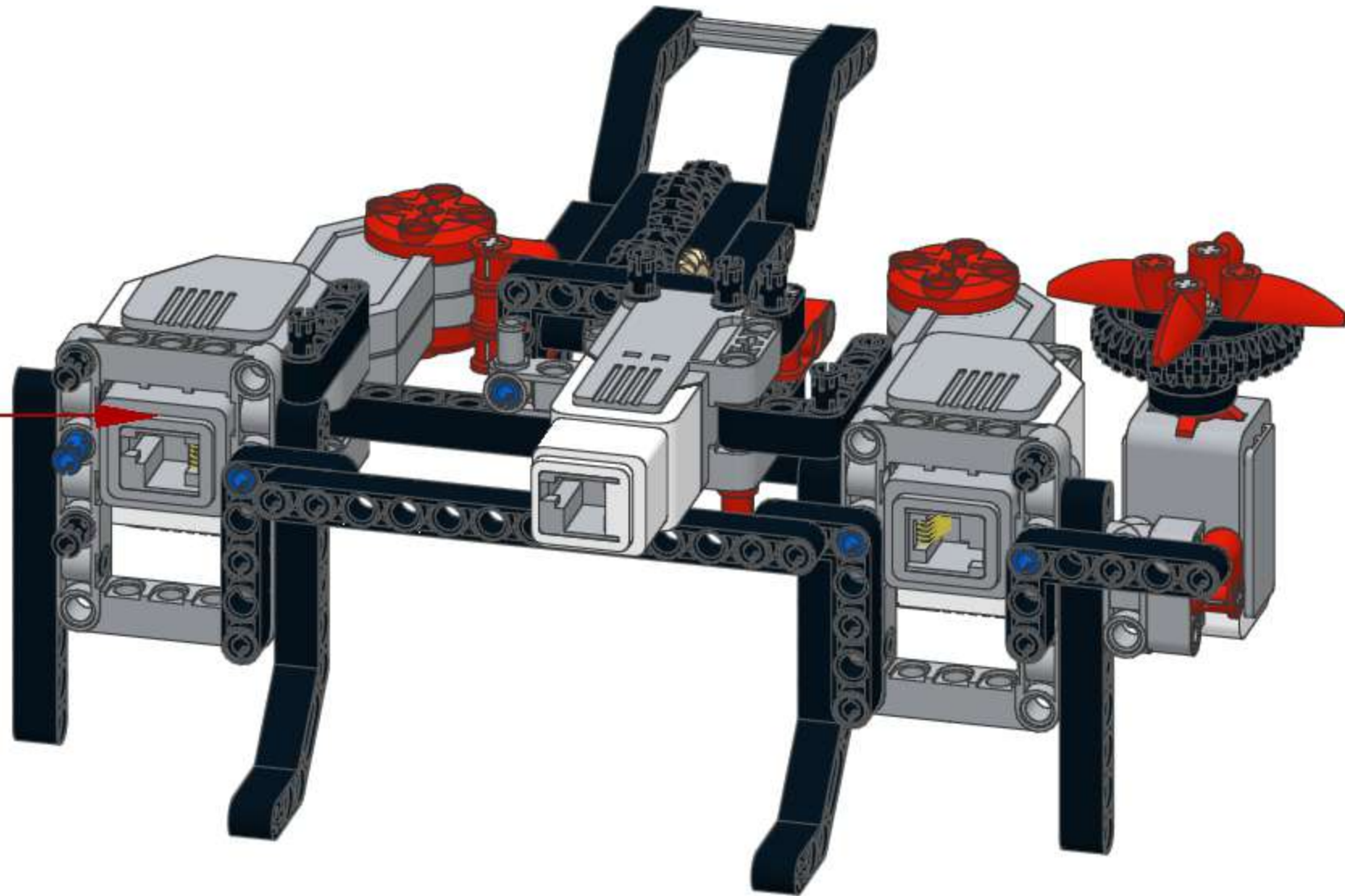
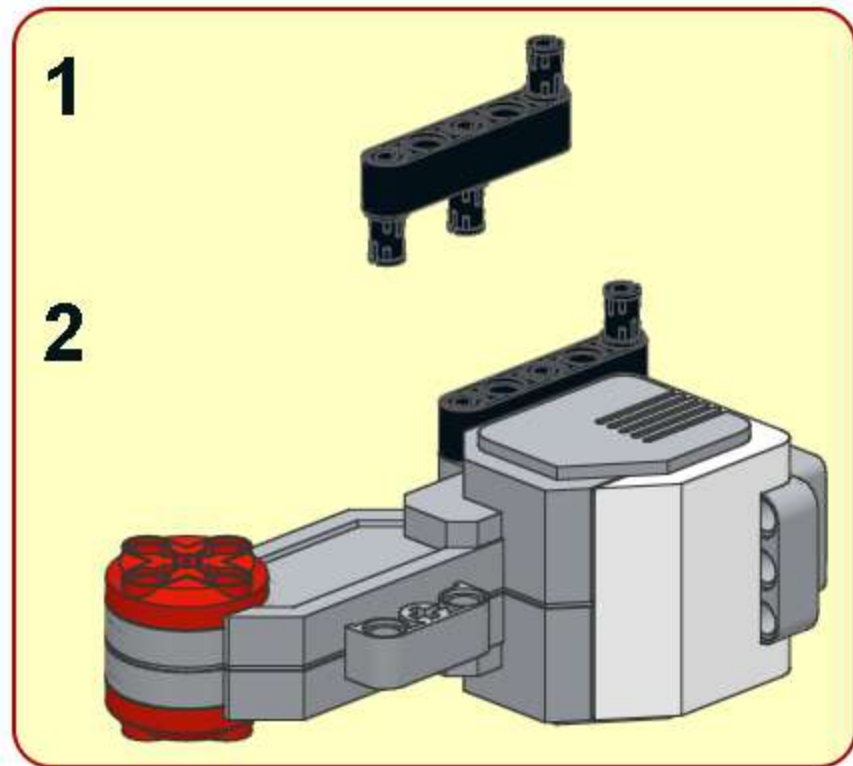
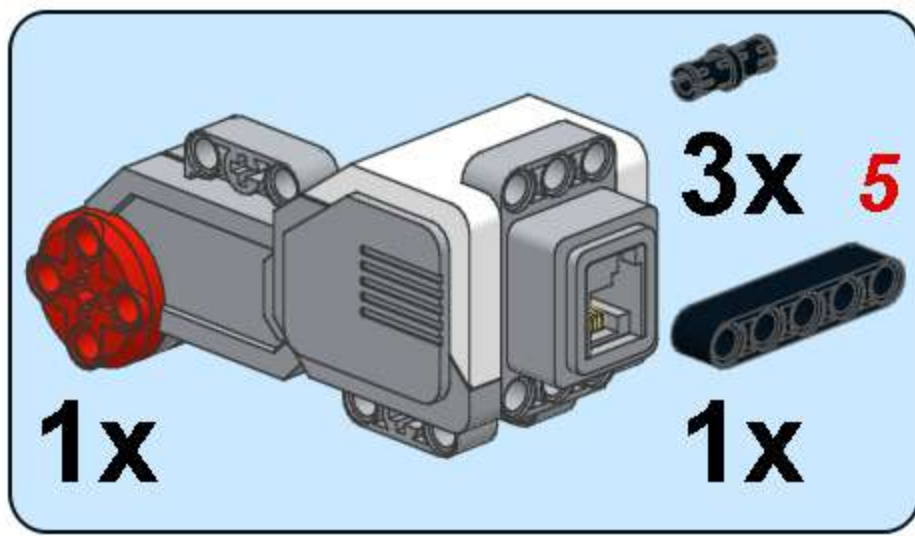


20

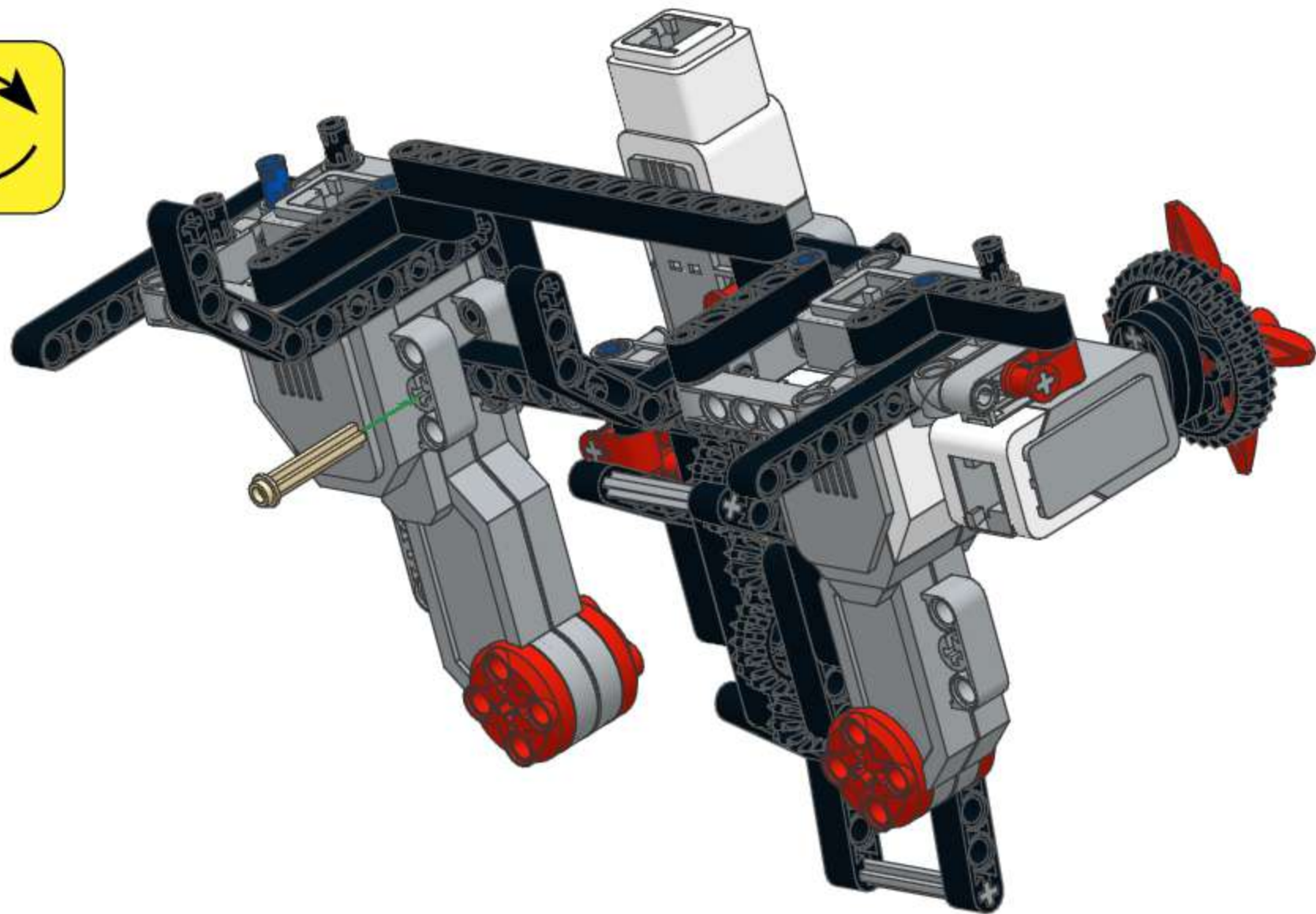
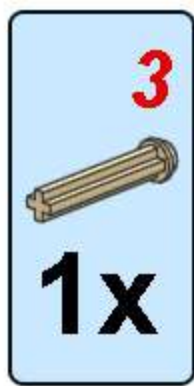
- 1x Pin, Grey
- 9x Pin, Blue
- 2x Pin, Blue
- 1x Technic Beam, Grey, 9 holes
- 1x Technic Beam, Grey, 9 holes, curved
- 1x Technic Beam, Grey, 9 holes, rectangular



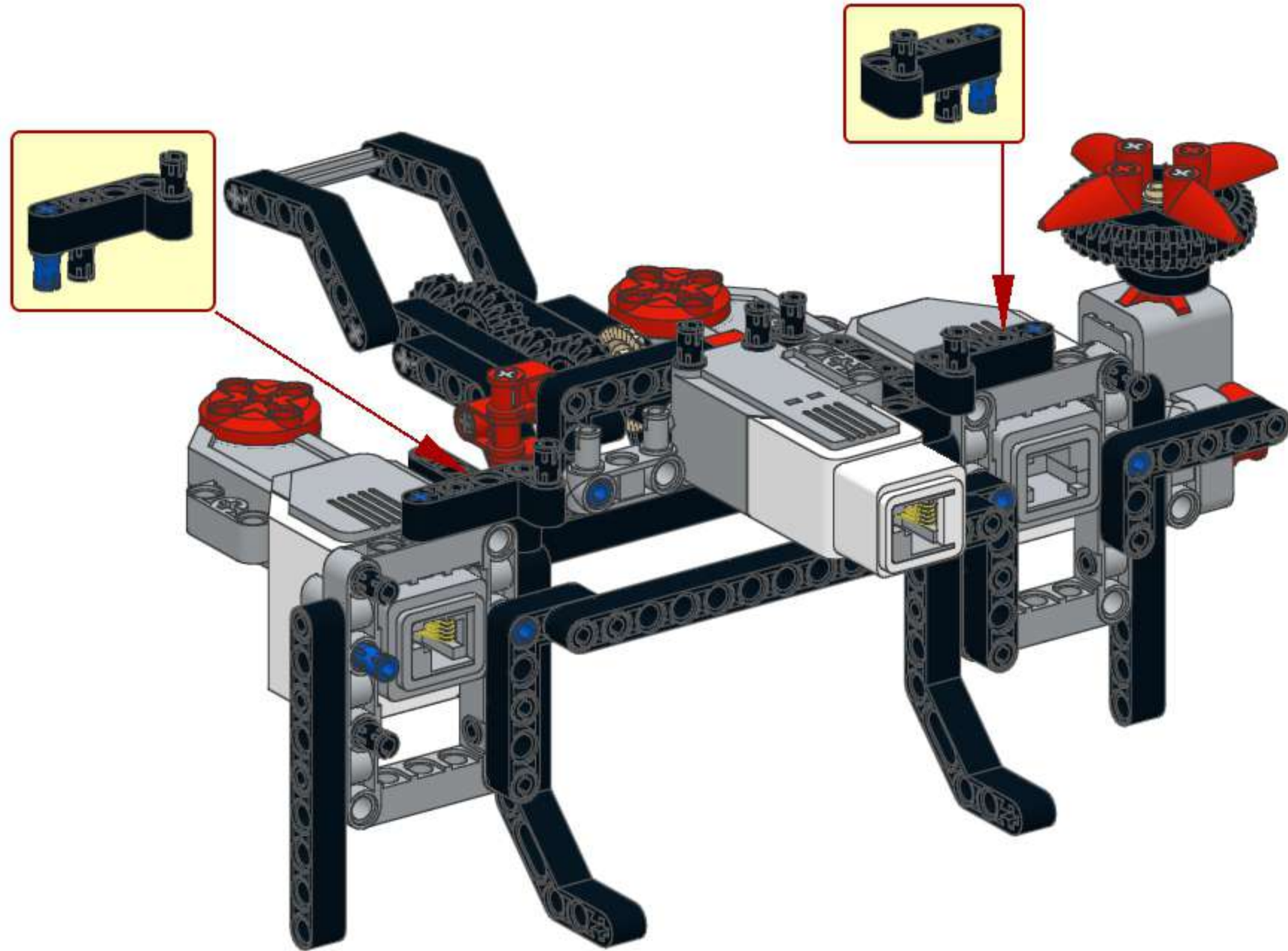
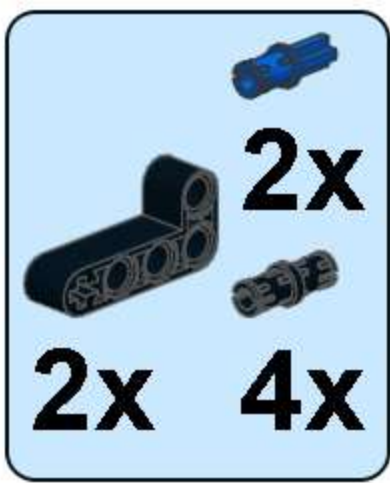
21



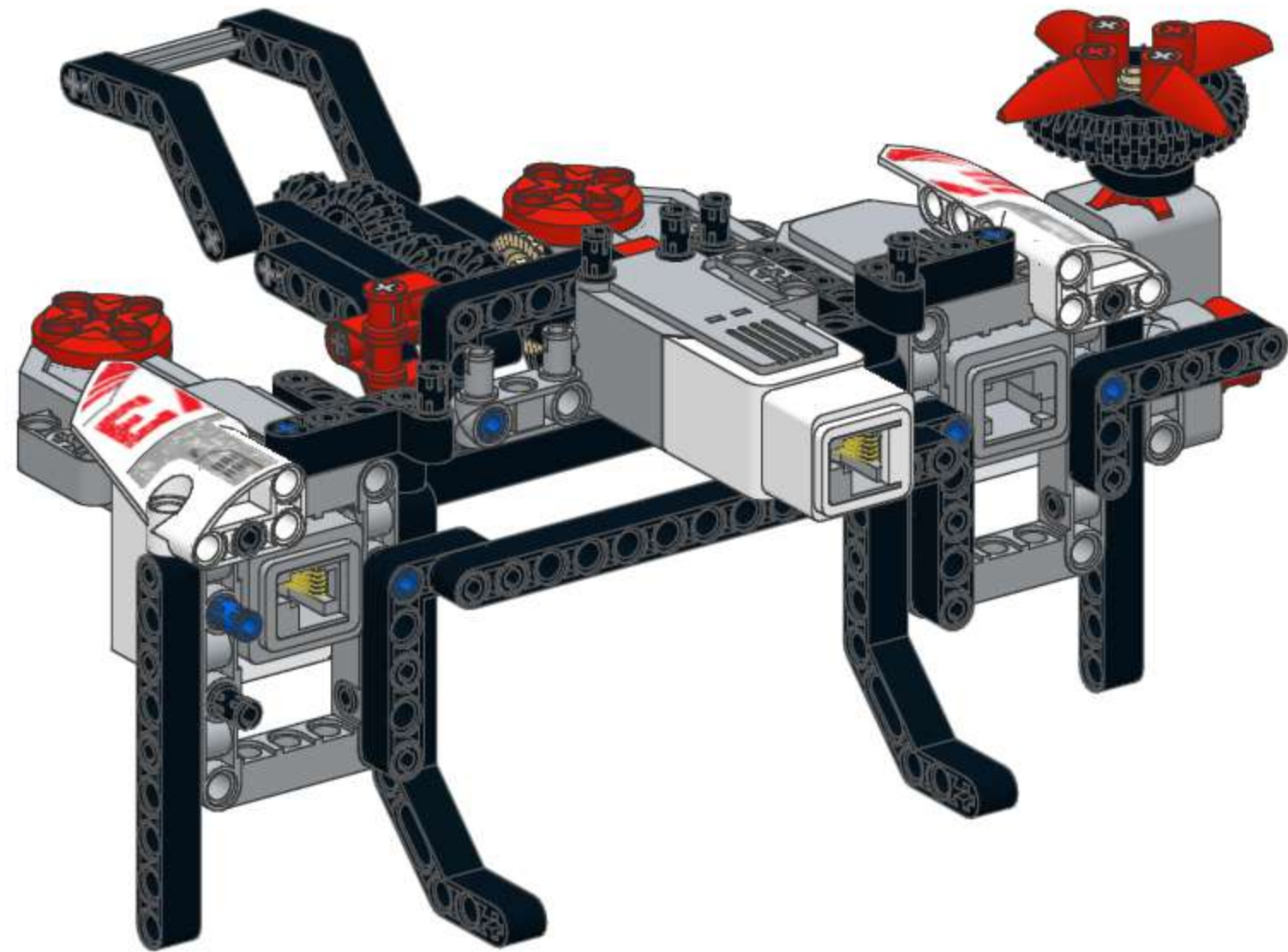
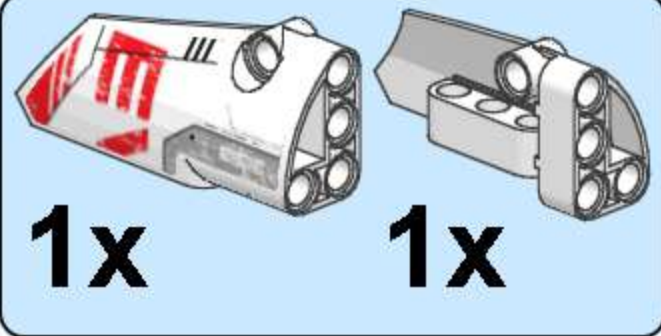
22



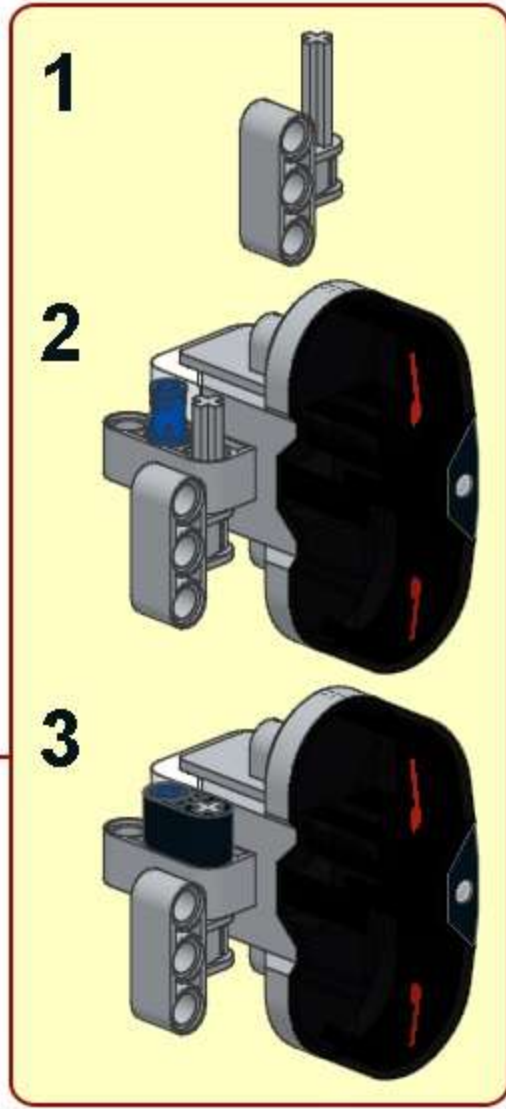
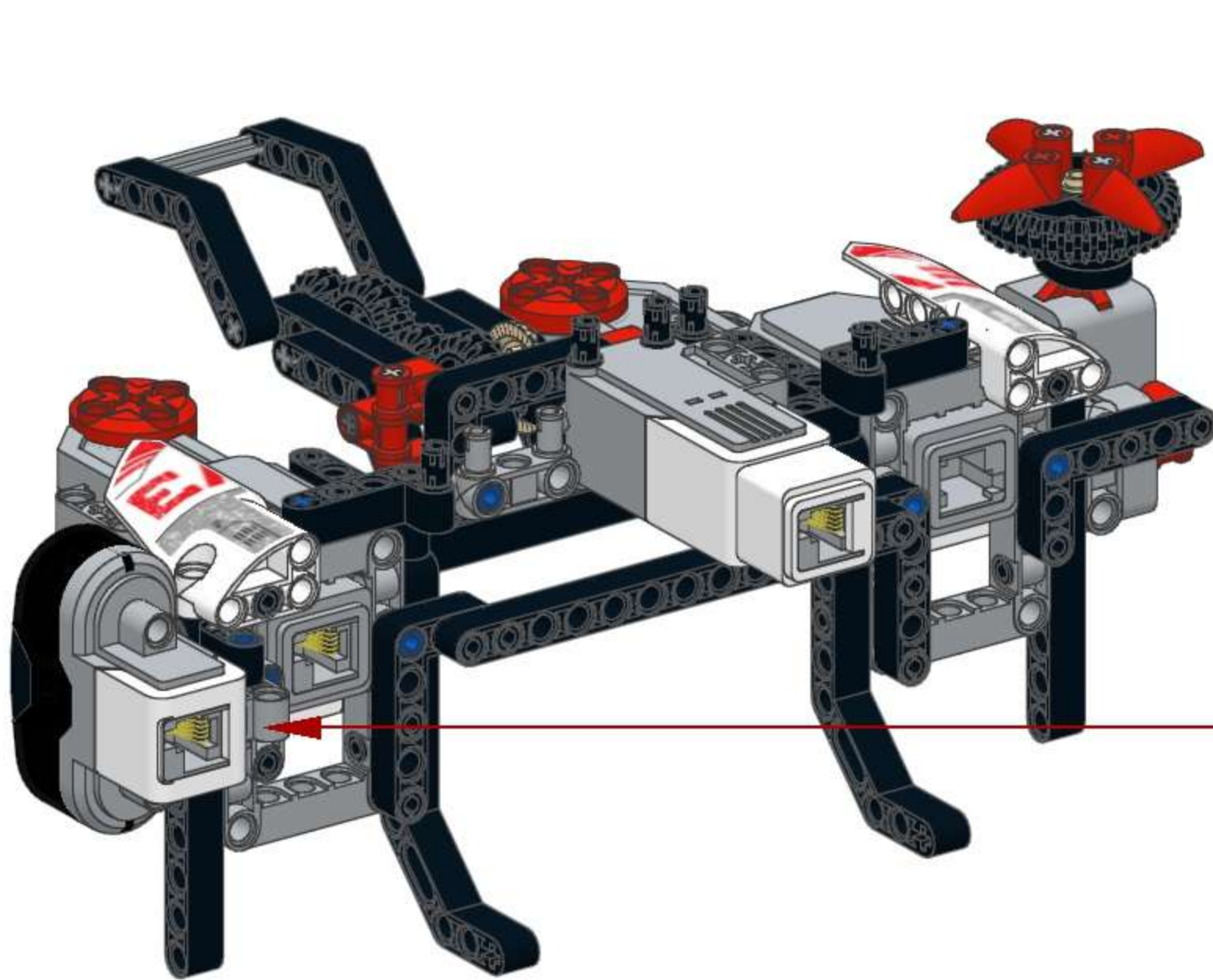
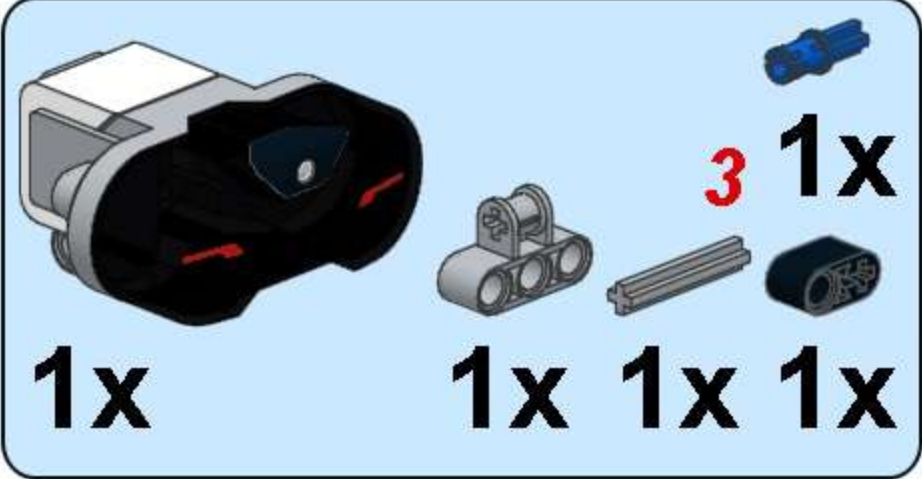
23



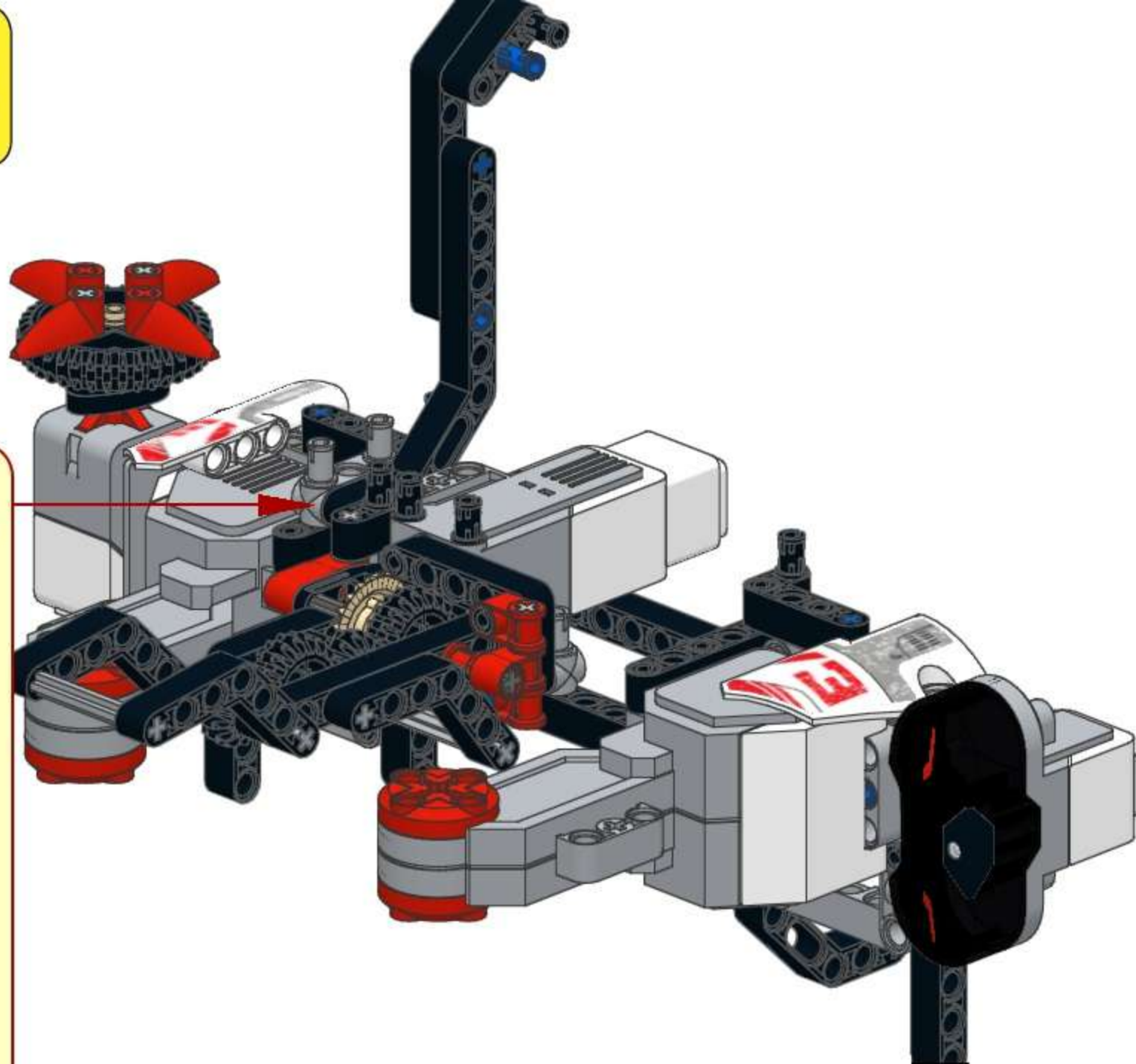
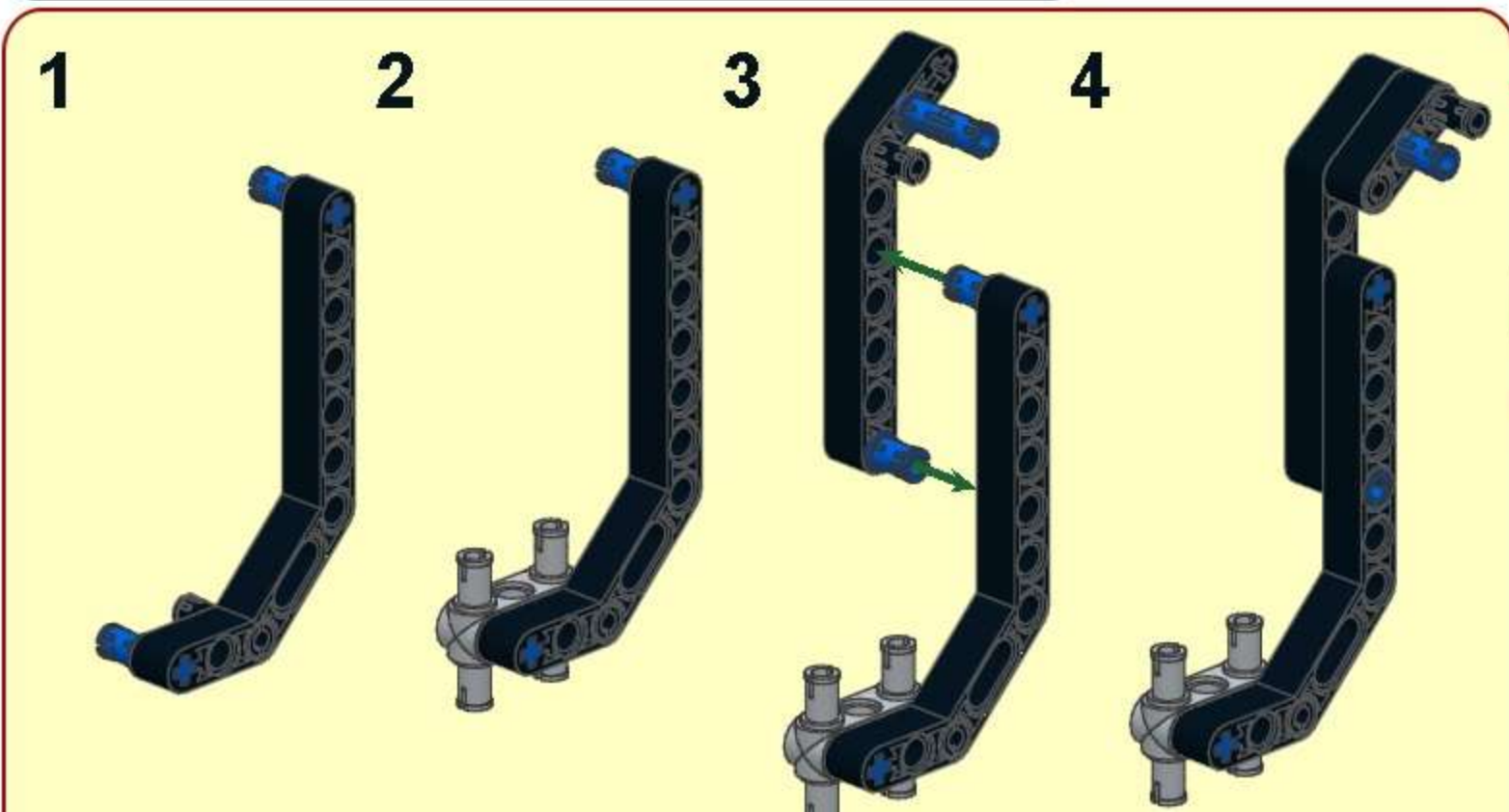
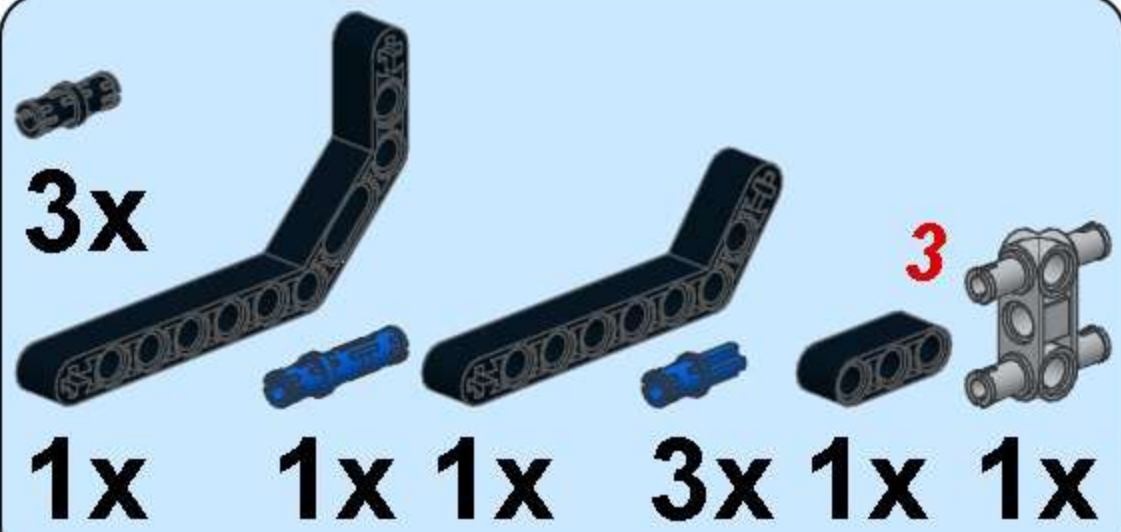
24



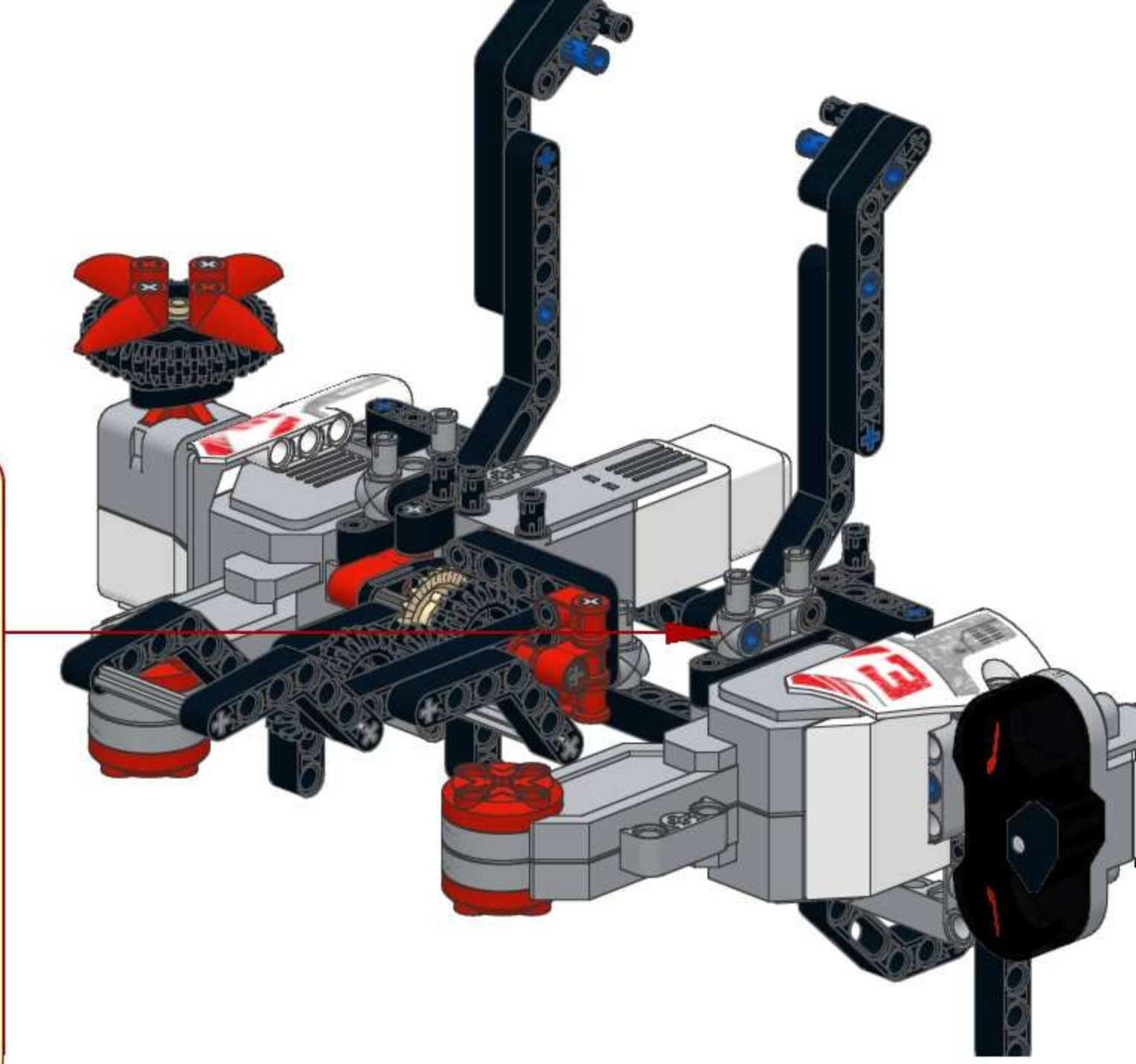
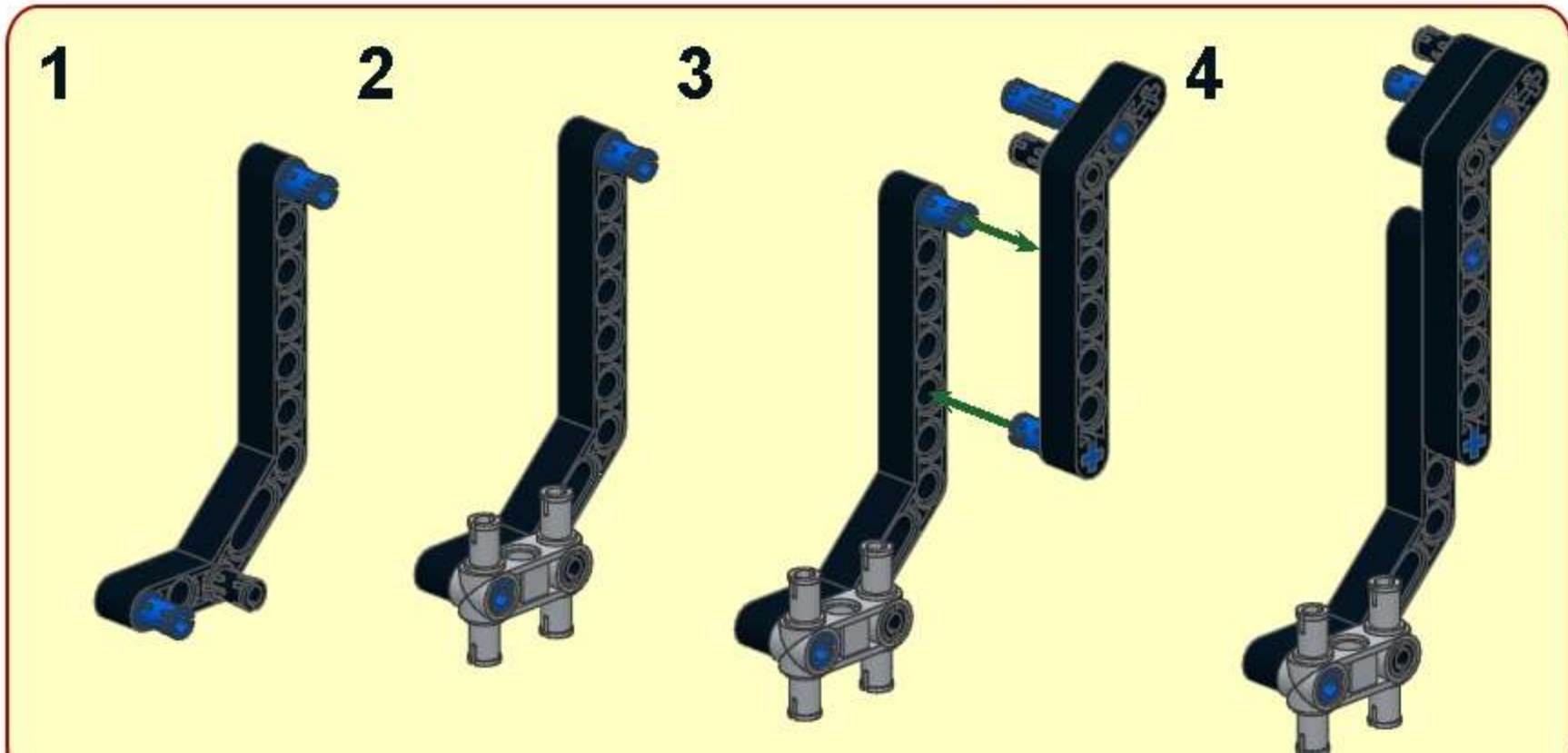
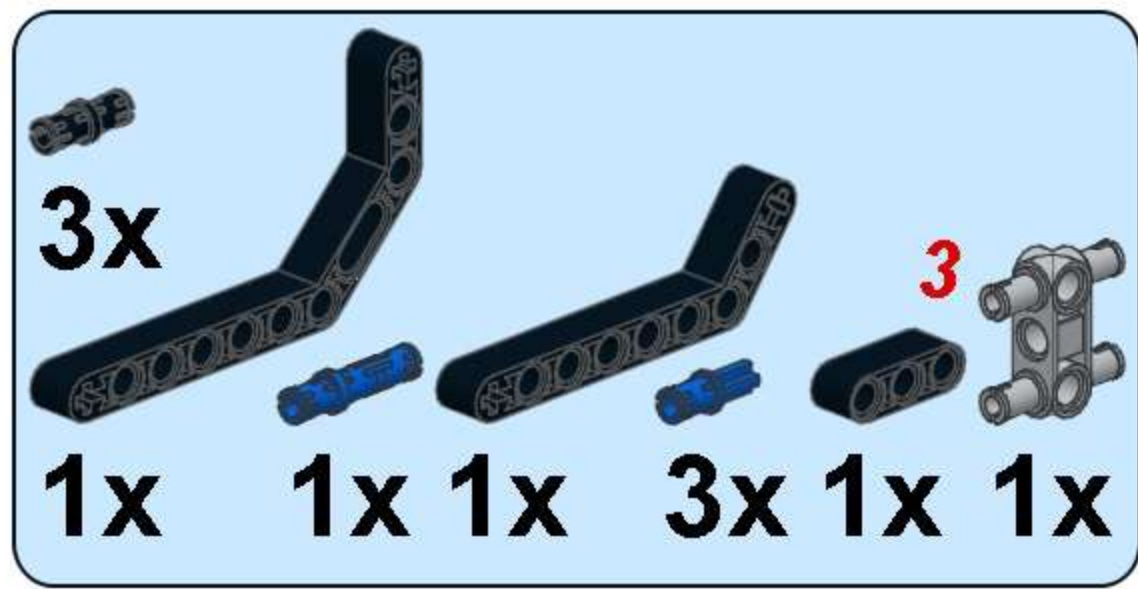
25



26



27

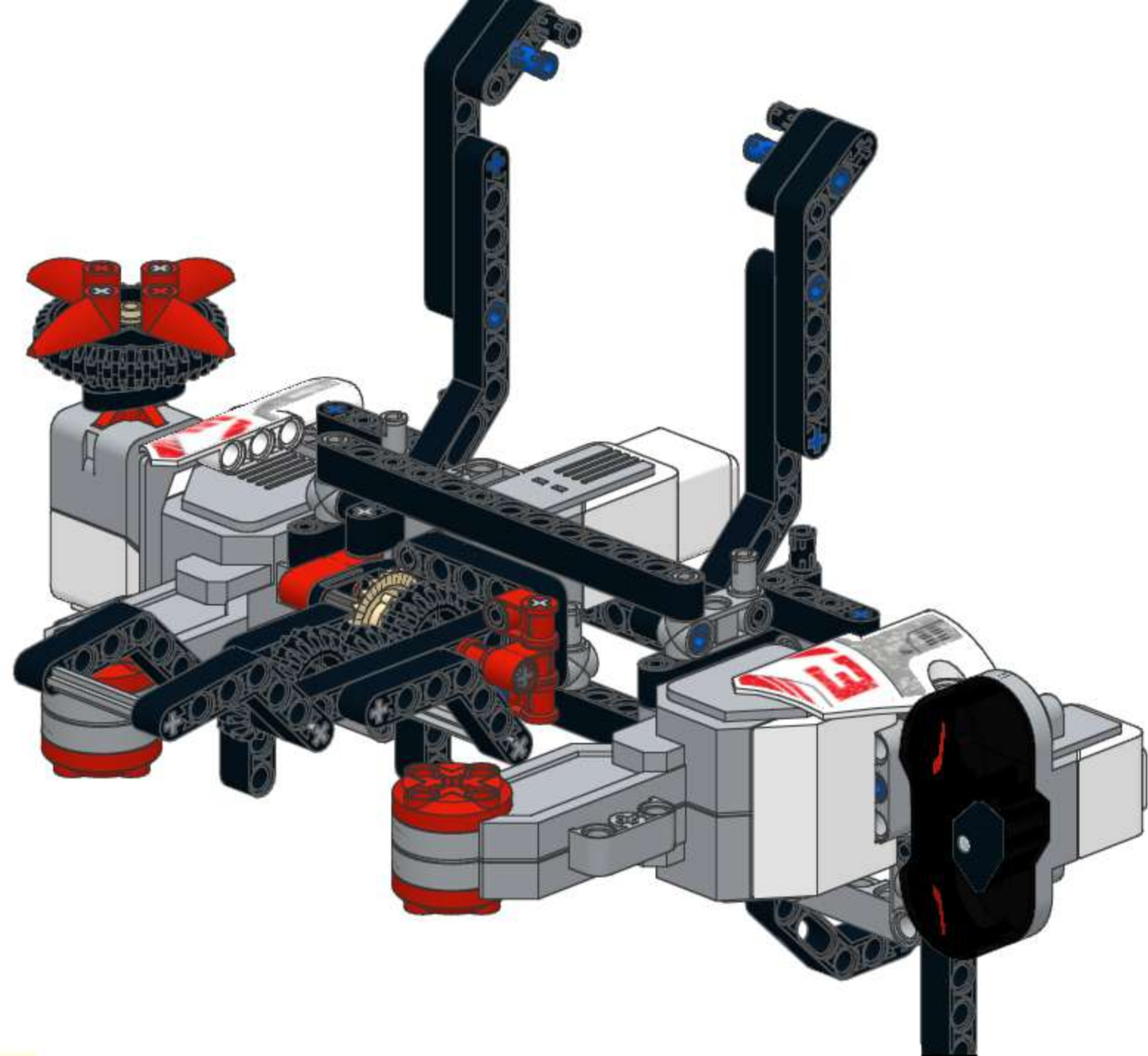


28

13

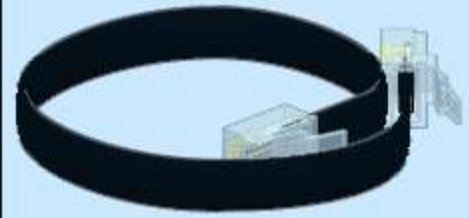


1x

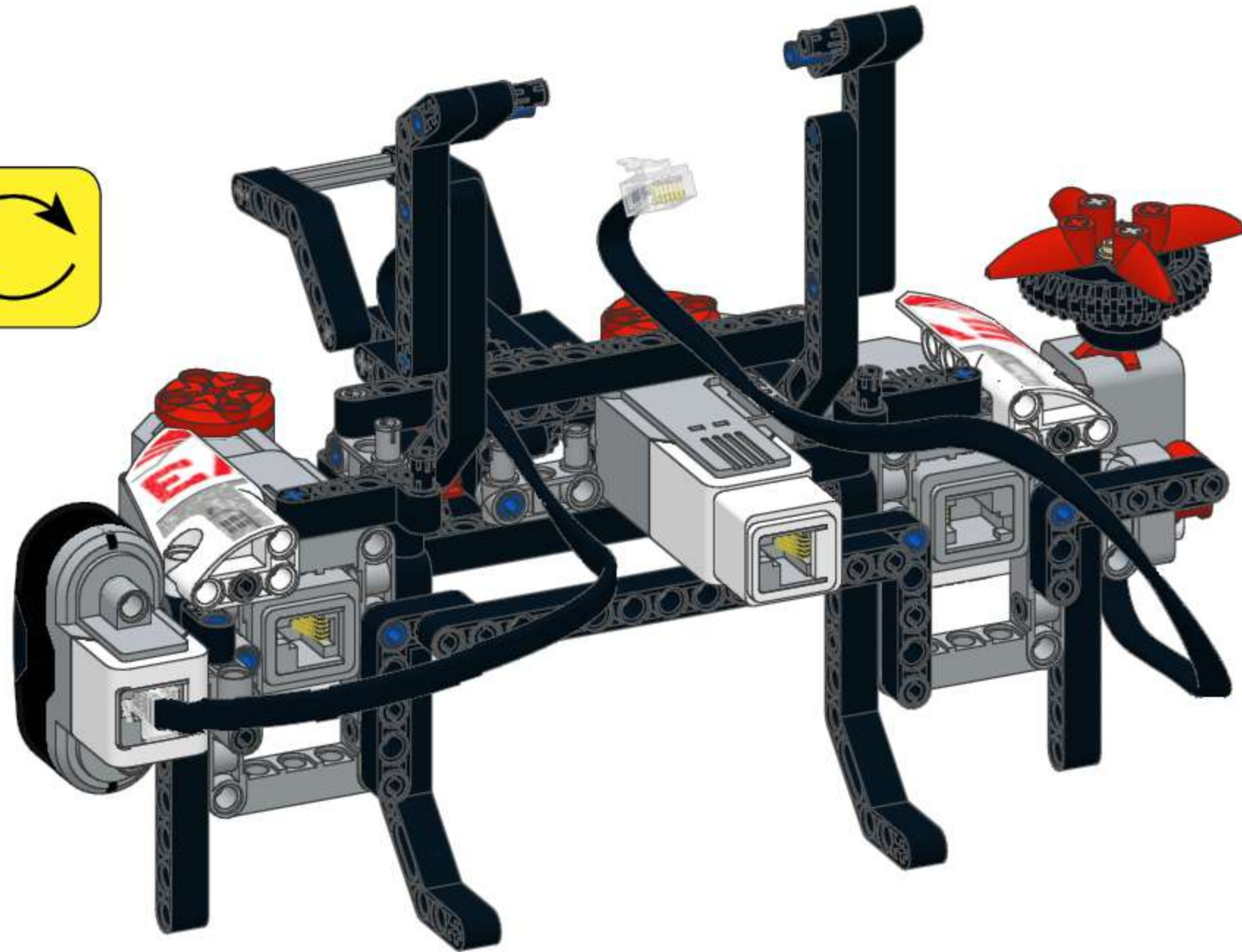


29

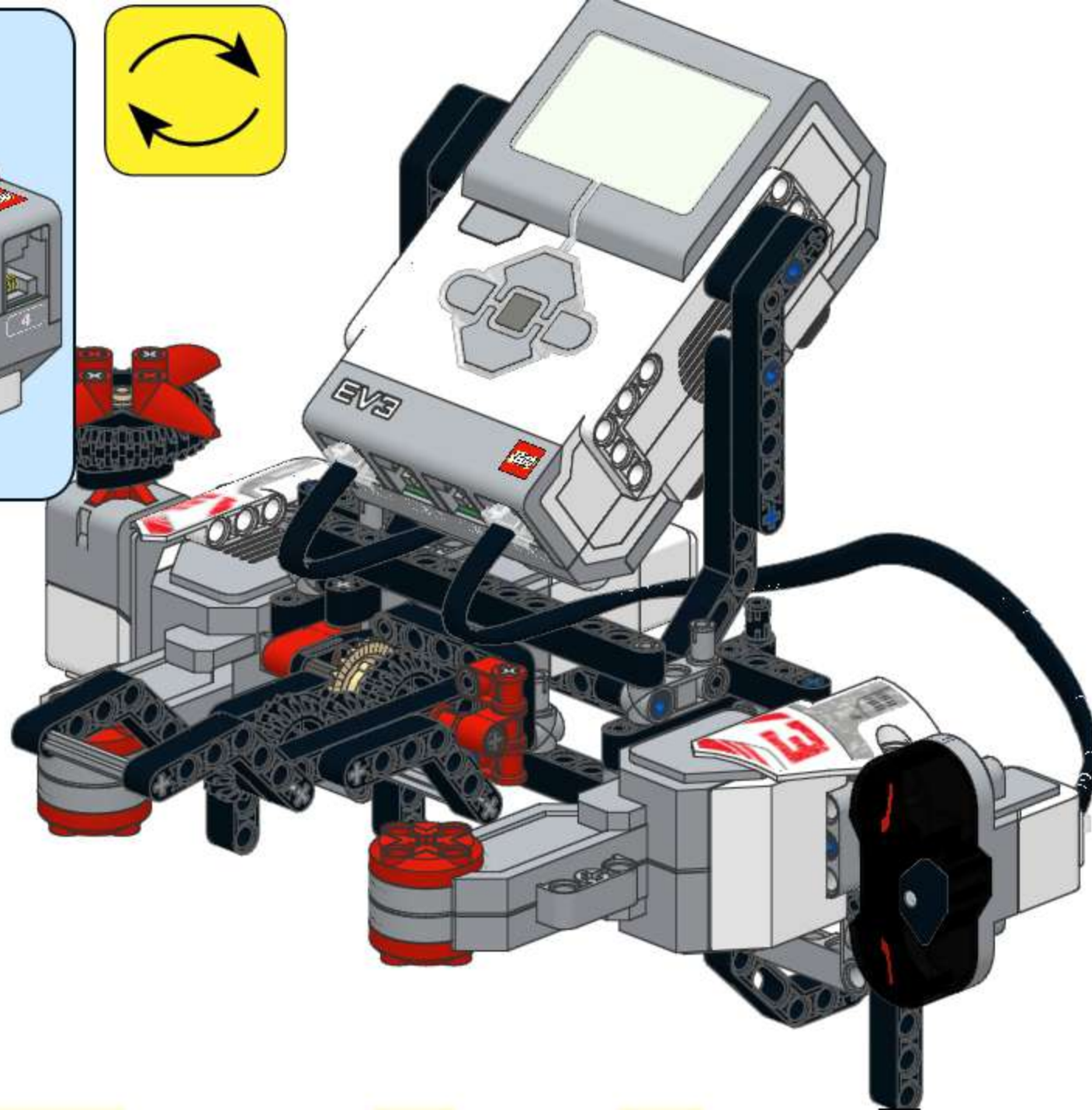
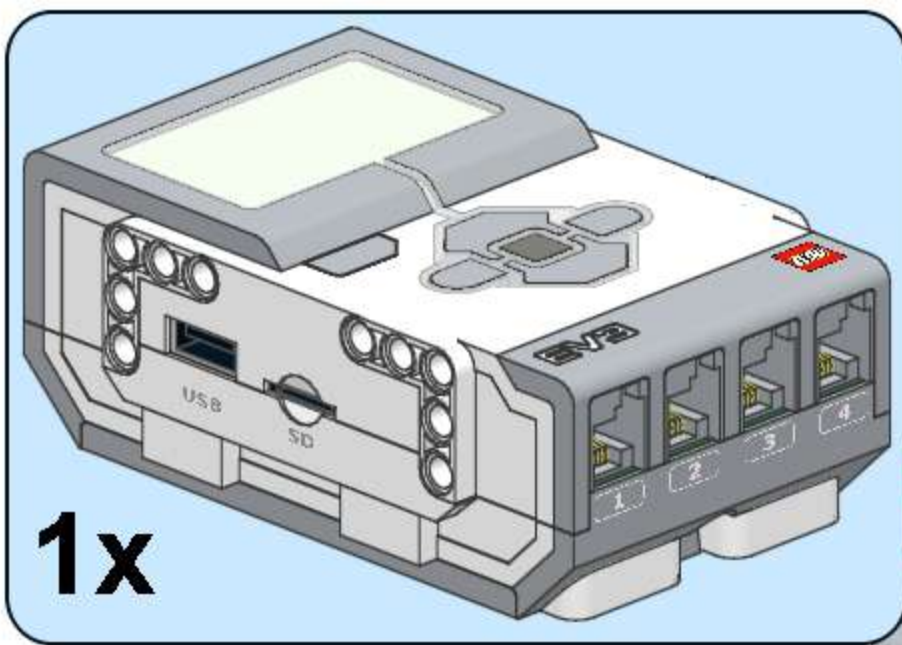
25cm



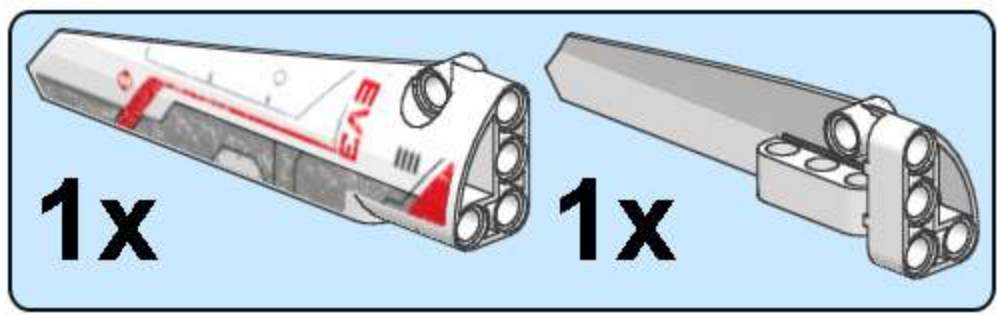
2x



30

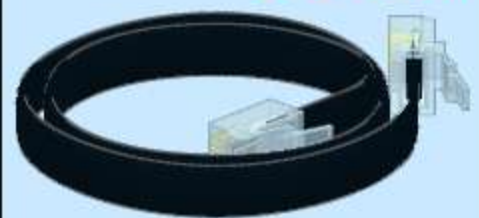


31

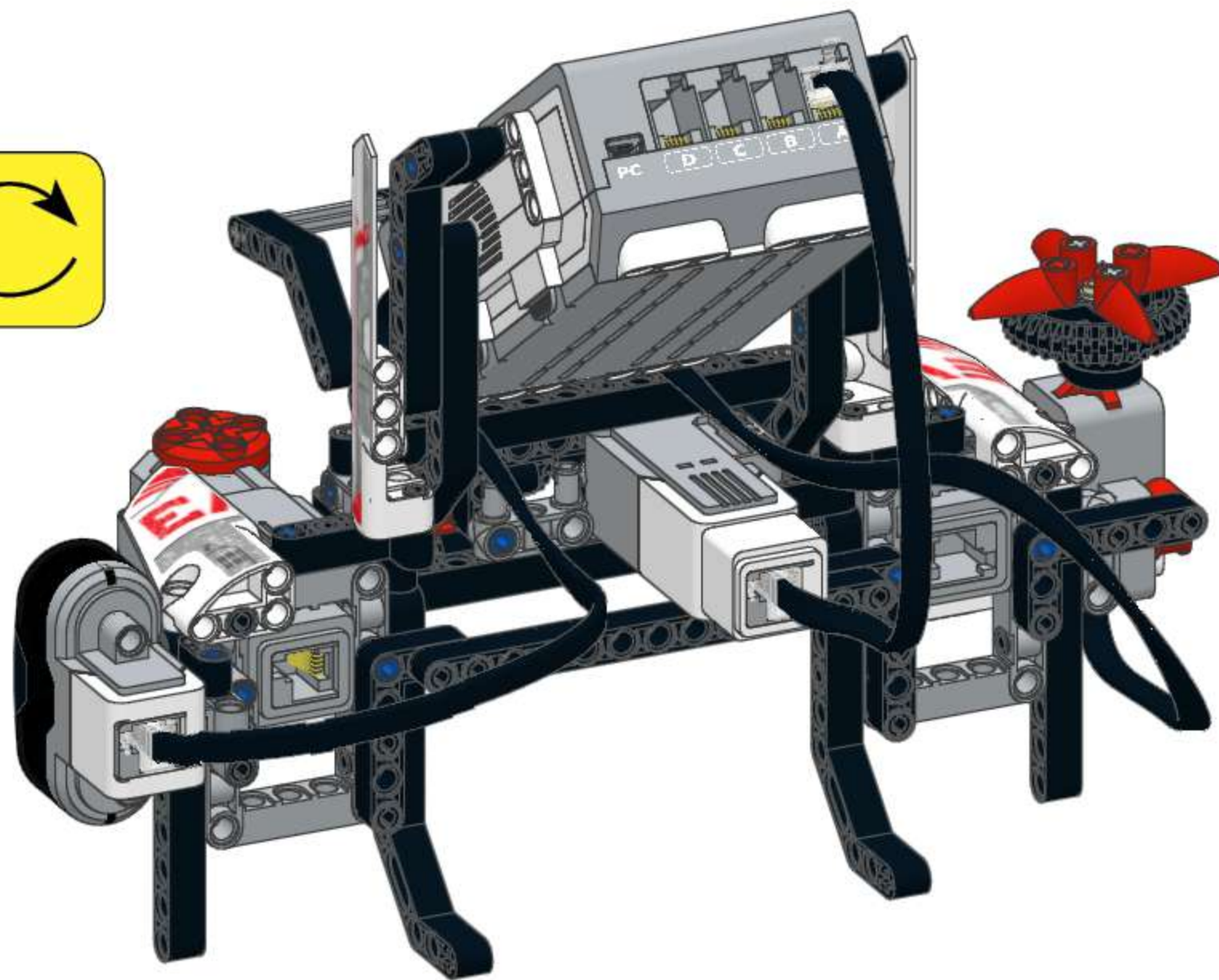


32

35cm



1x

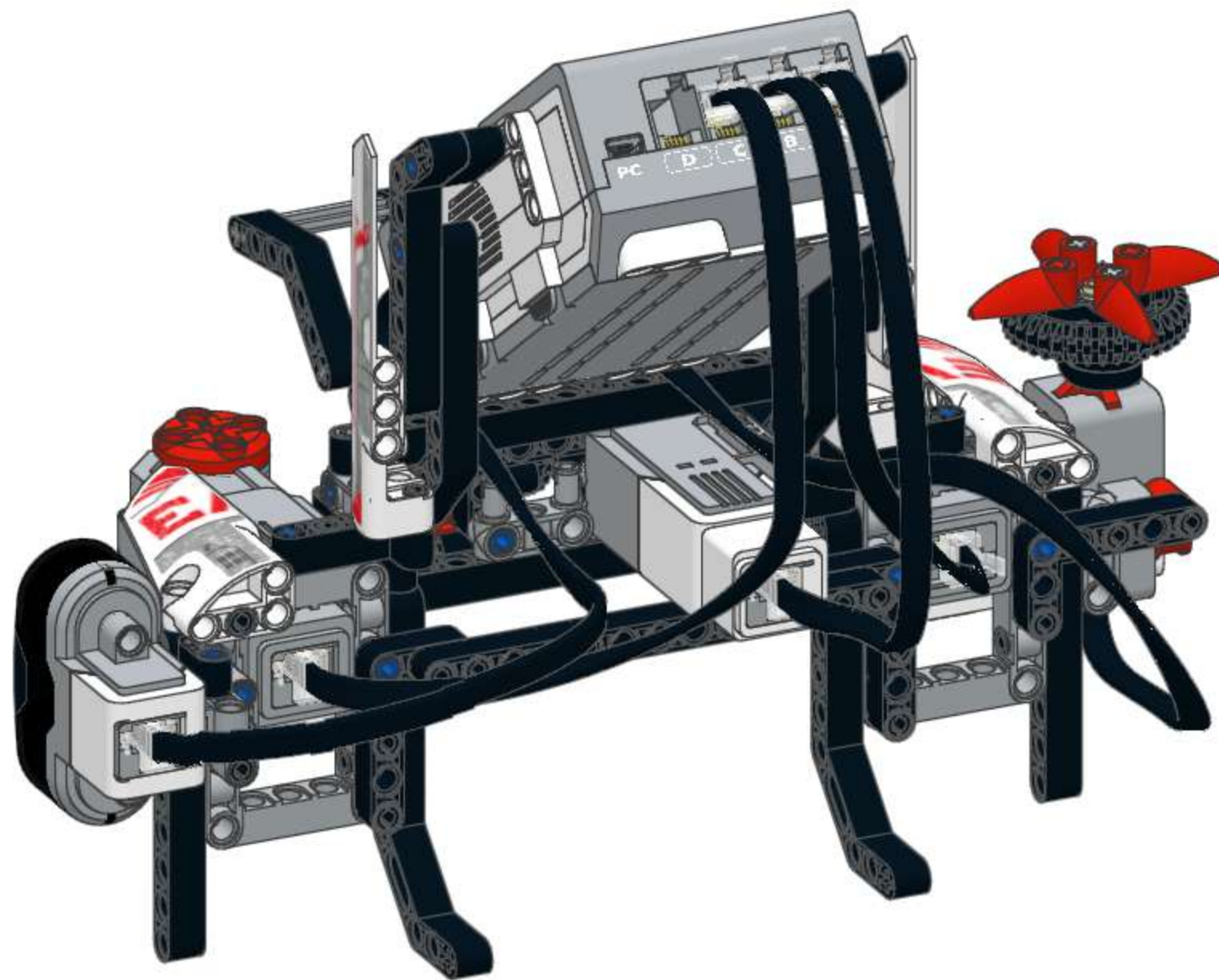


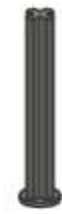
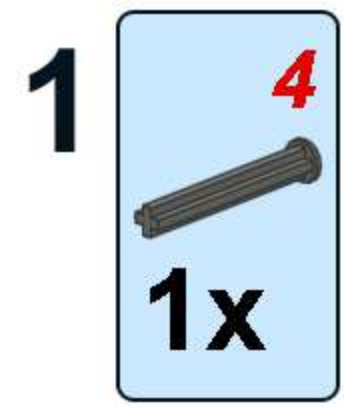
33

25cm

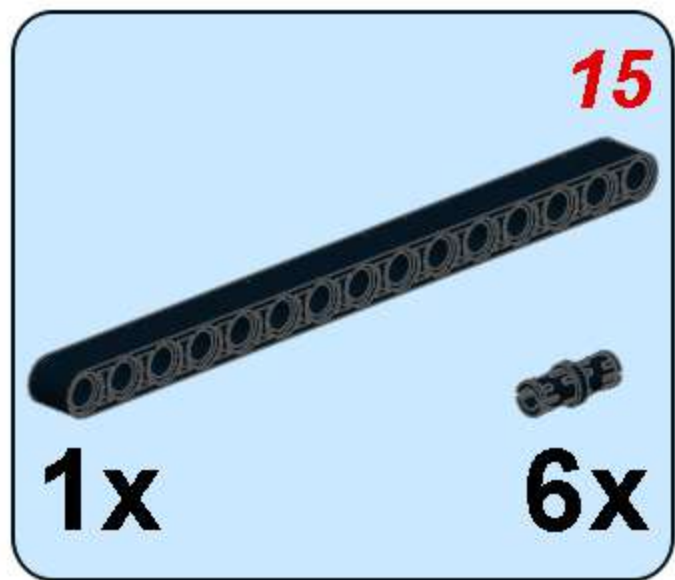


2x





2



3



4



1x

6



1x

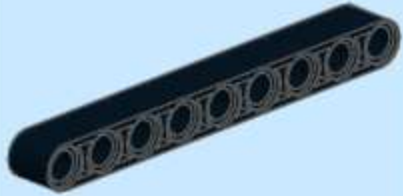


5



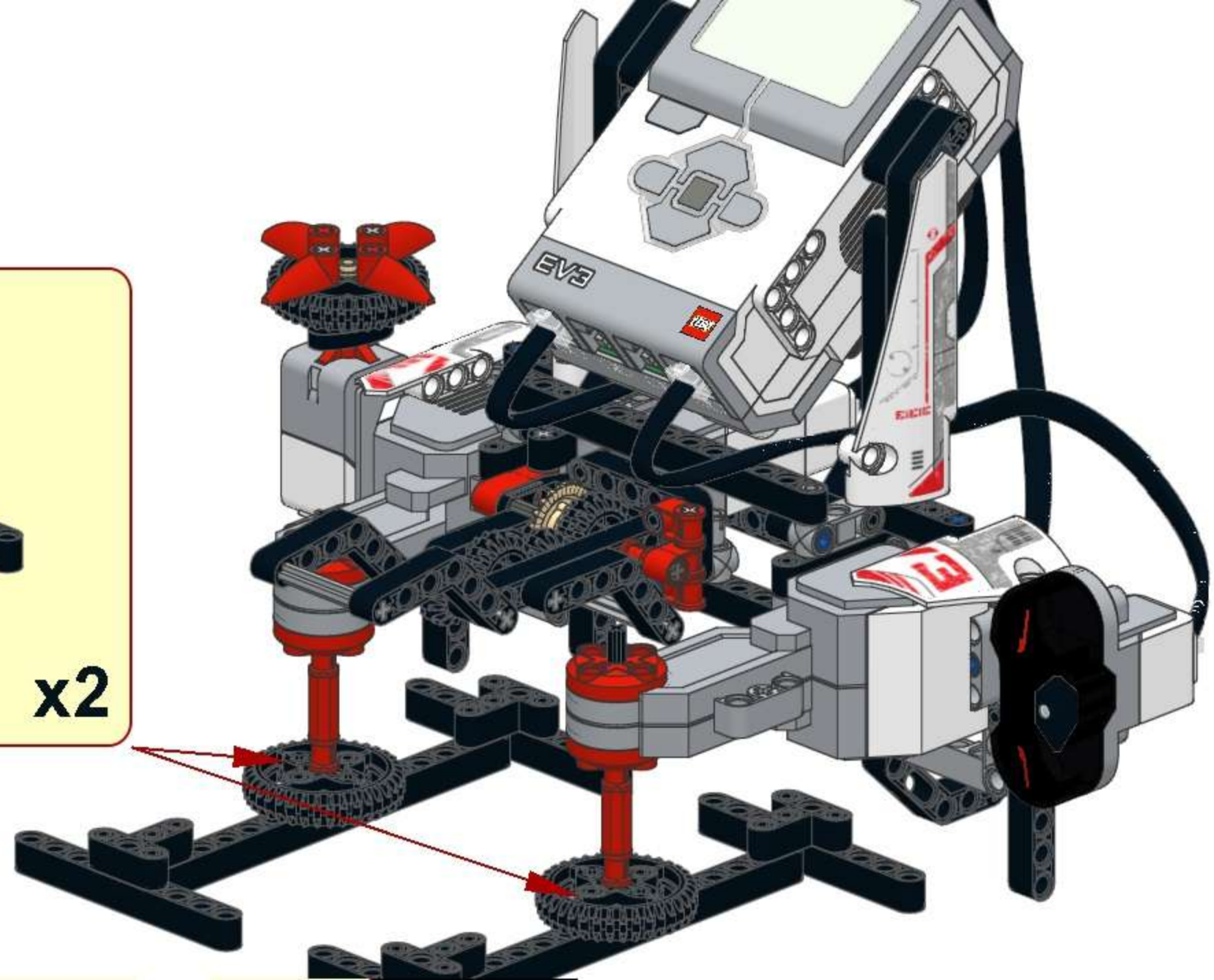
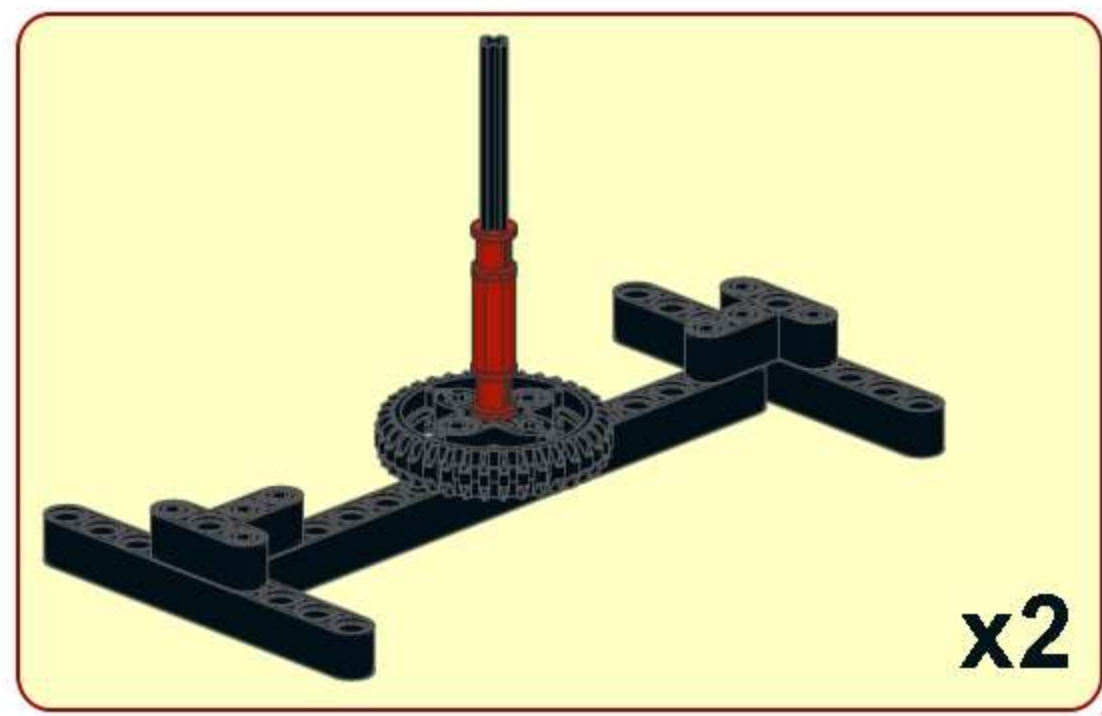
6

9



2x

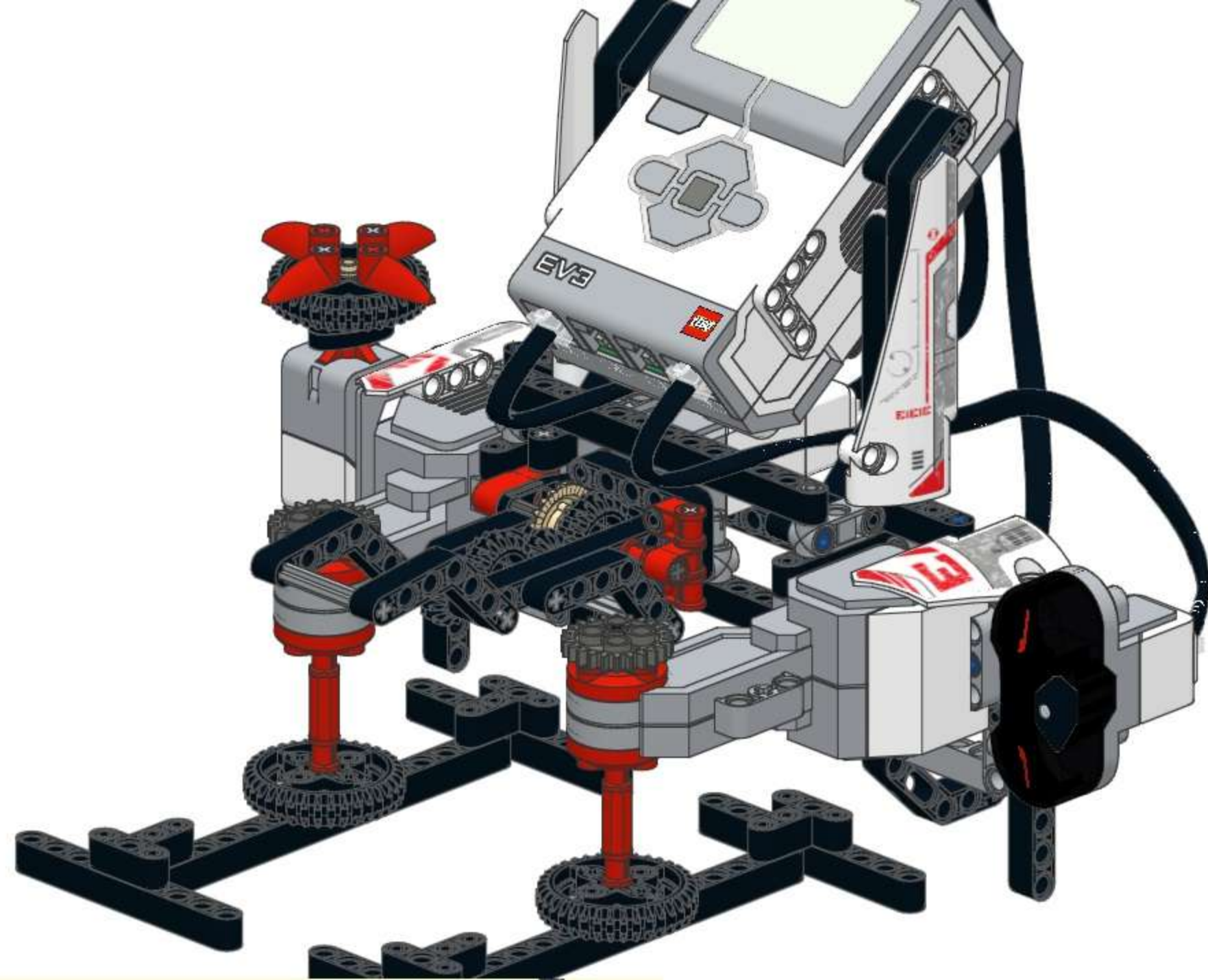




35



2x



36

