

LEGO MINDSTORMS[®]
EV3

EV3MEG



Model Design, Building
and Programming Instructions
by: **Martyn Boogaarts**

1



15

2x



1x

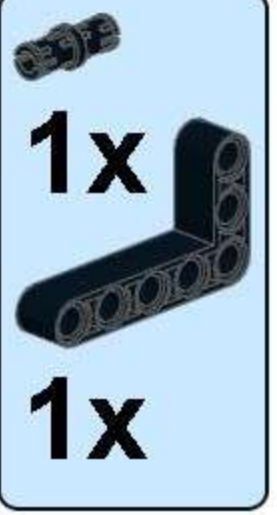


3x



2

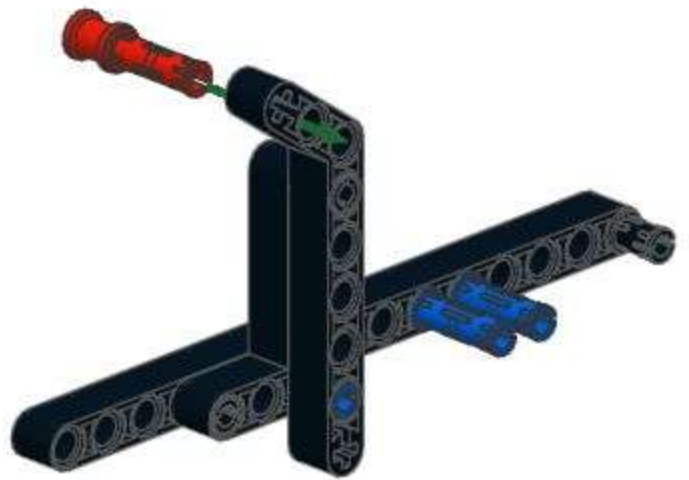
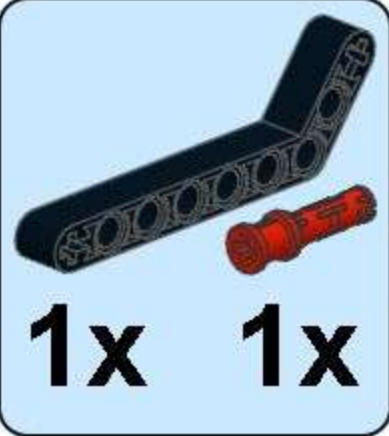
1x



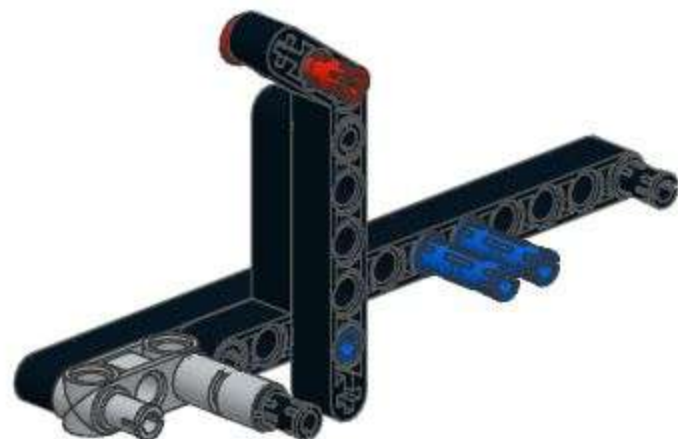
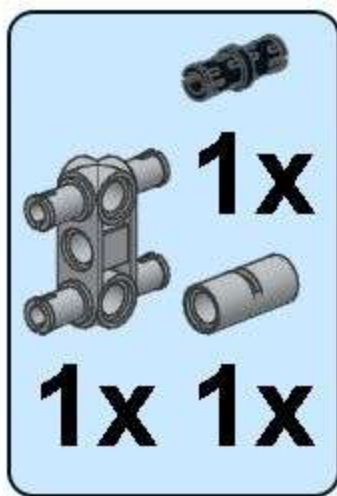
1x





3

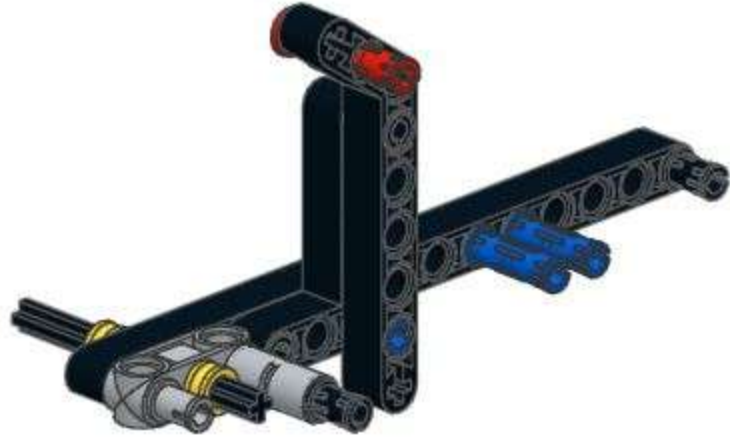


4

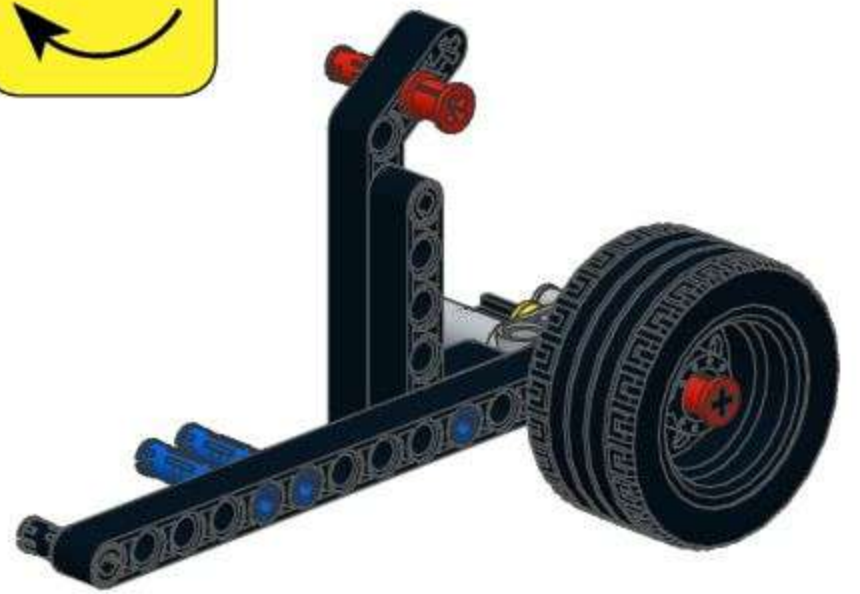


5

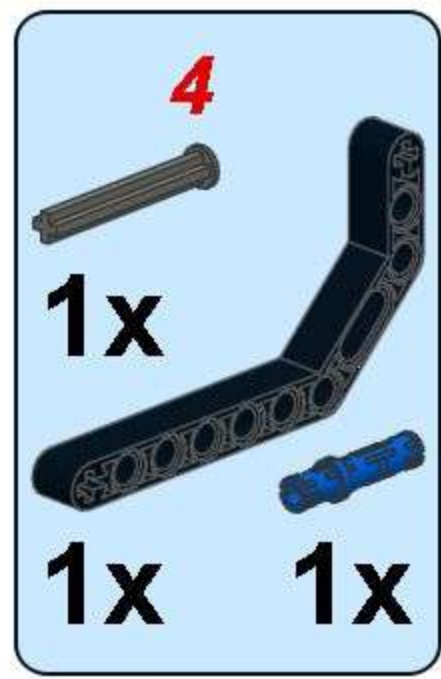
 **2x** **6**

1x



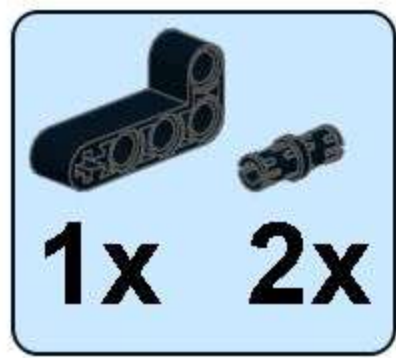
6









1

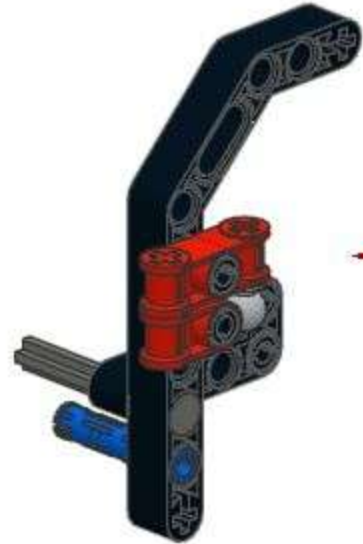




2



3

	
2	1x
	
1x	2x
	
1x	1x



1	
2	



4



2x 5



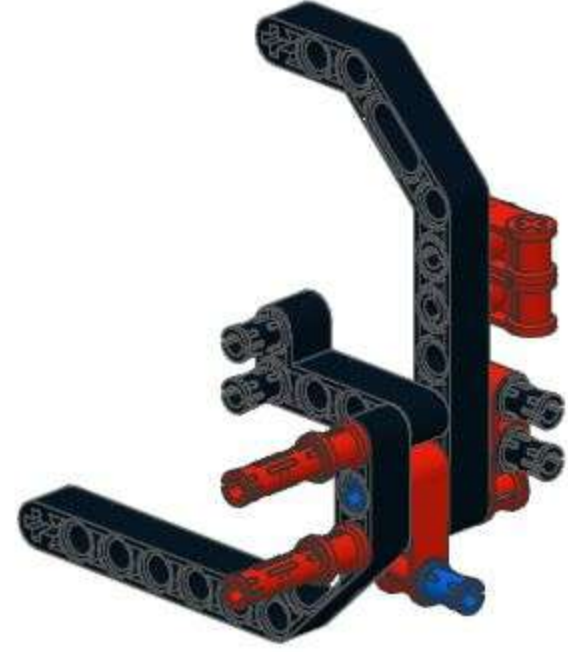
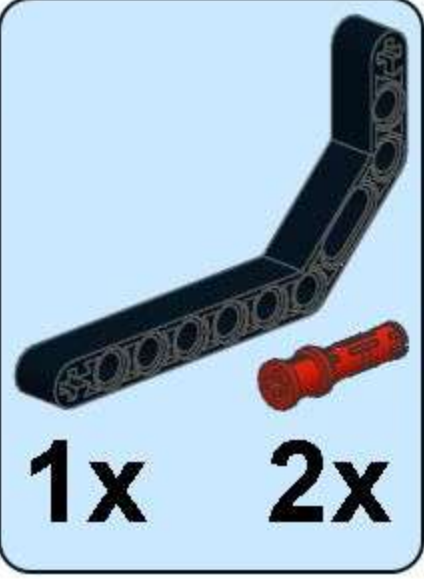
1x



5
2x 1x



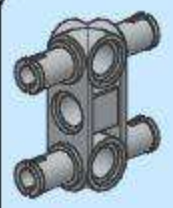
6



7



8



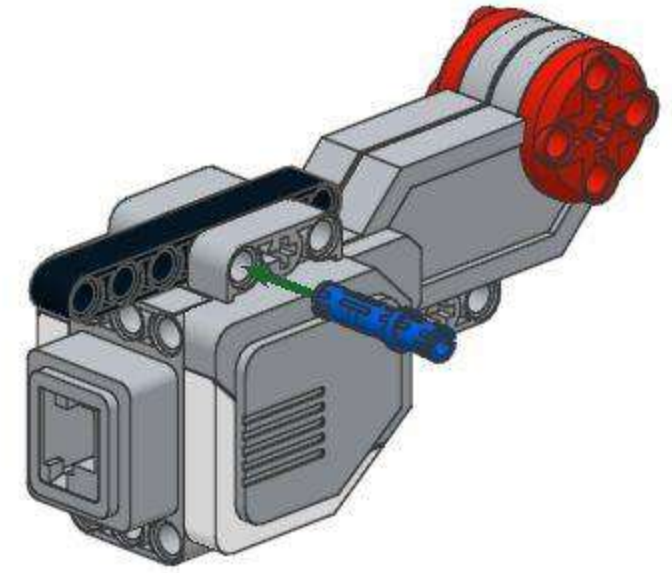
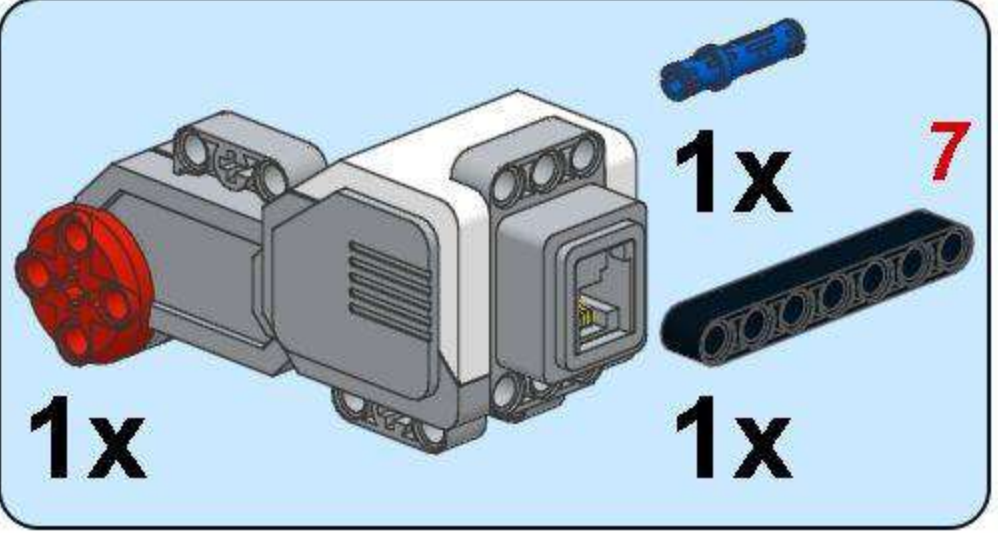
1x 5



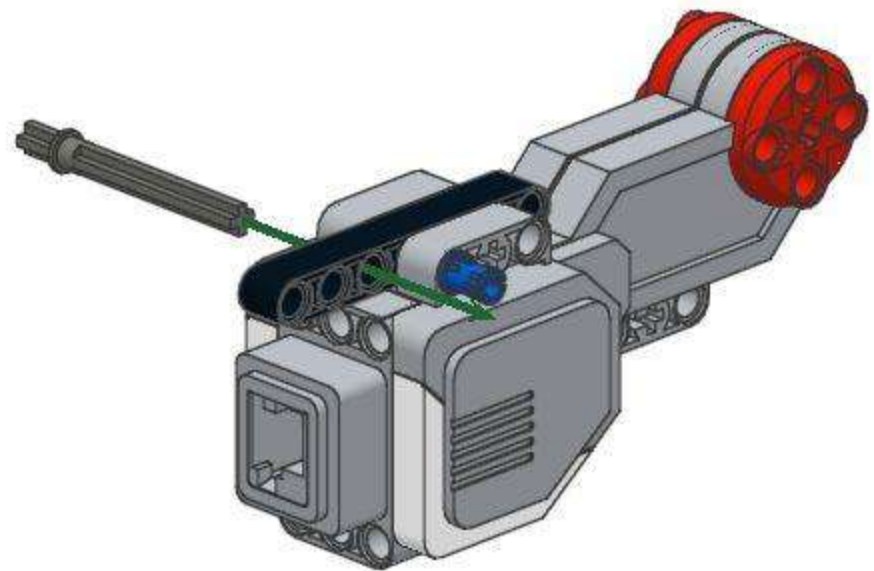
1x



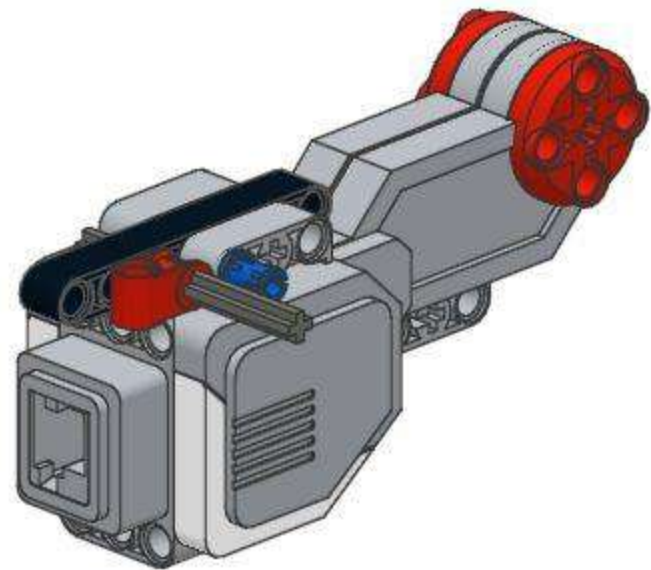
1






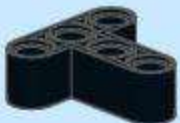

2


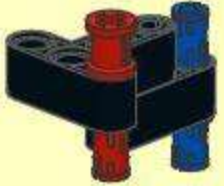


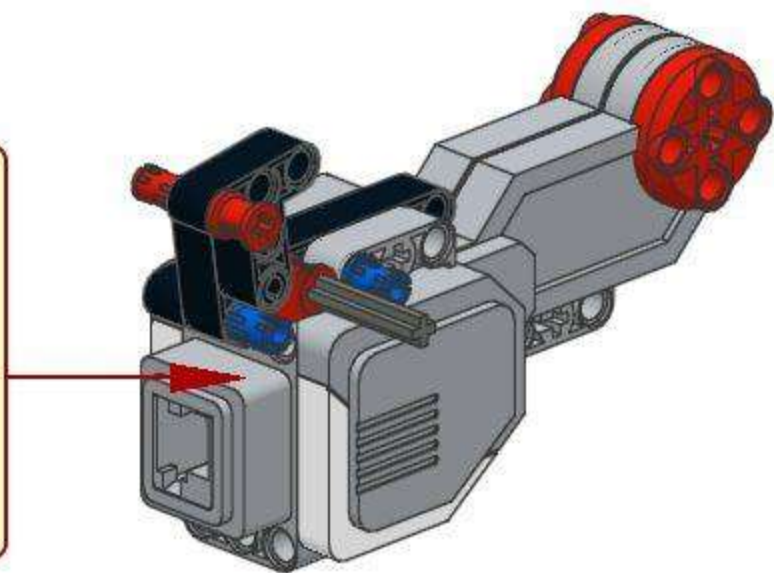
3
1x



4

	3	2x	
1x		1x	
			
1x			1x

1	
2	

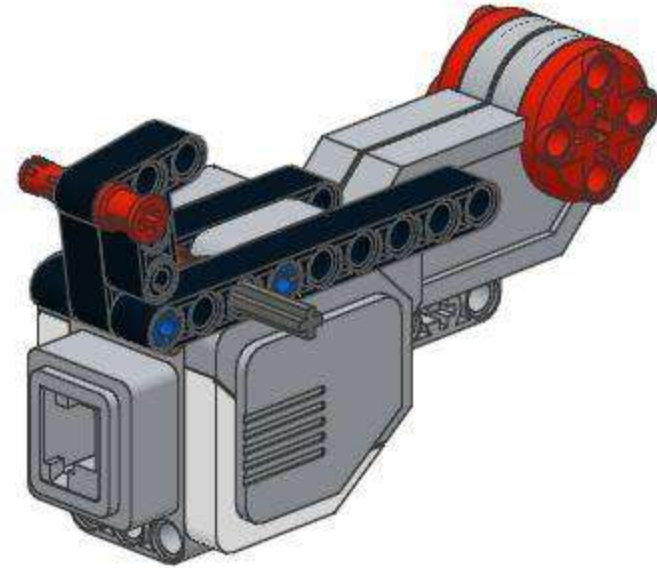


5

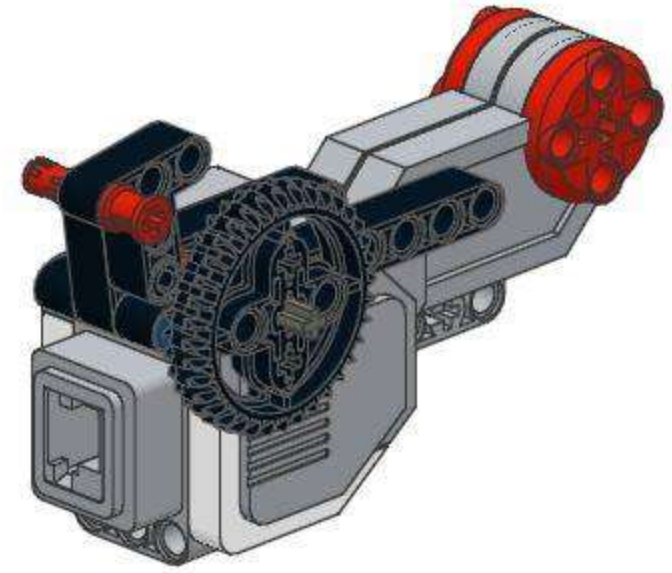
9



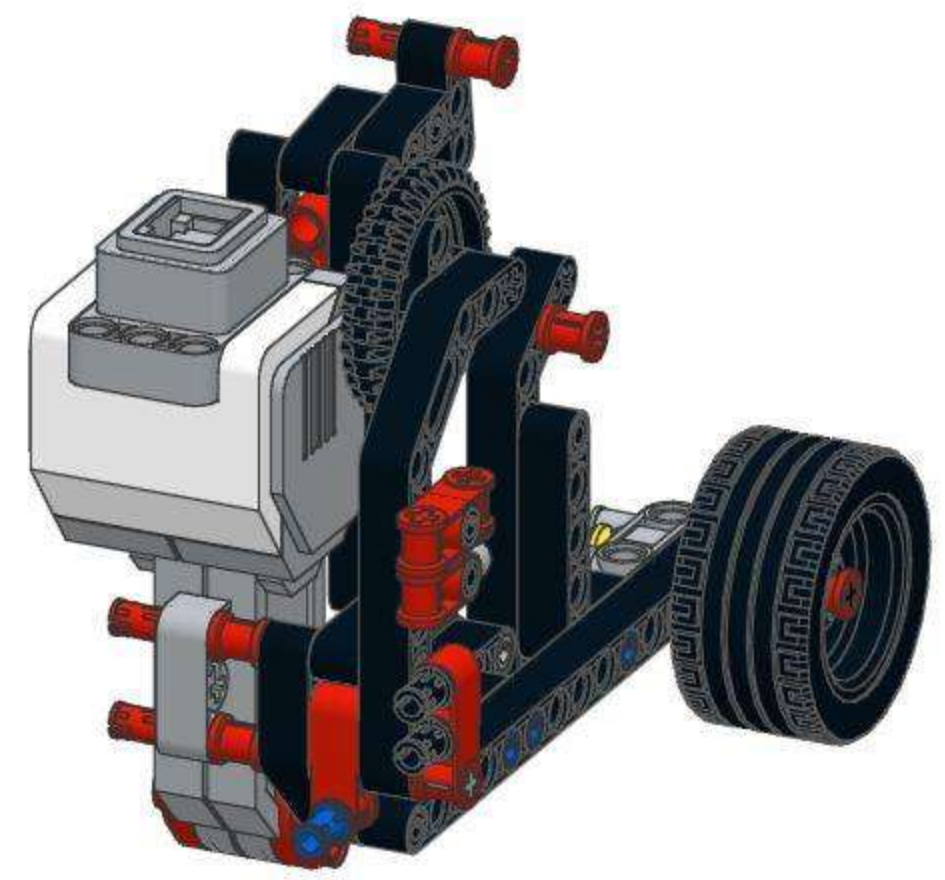
1x



6



9



10



1x



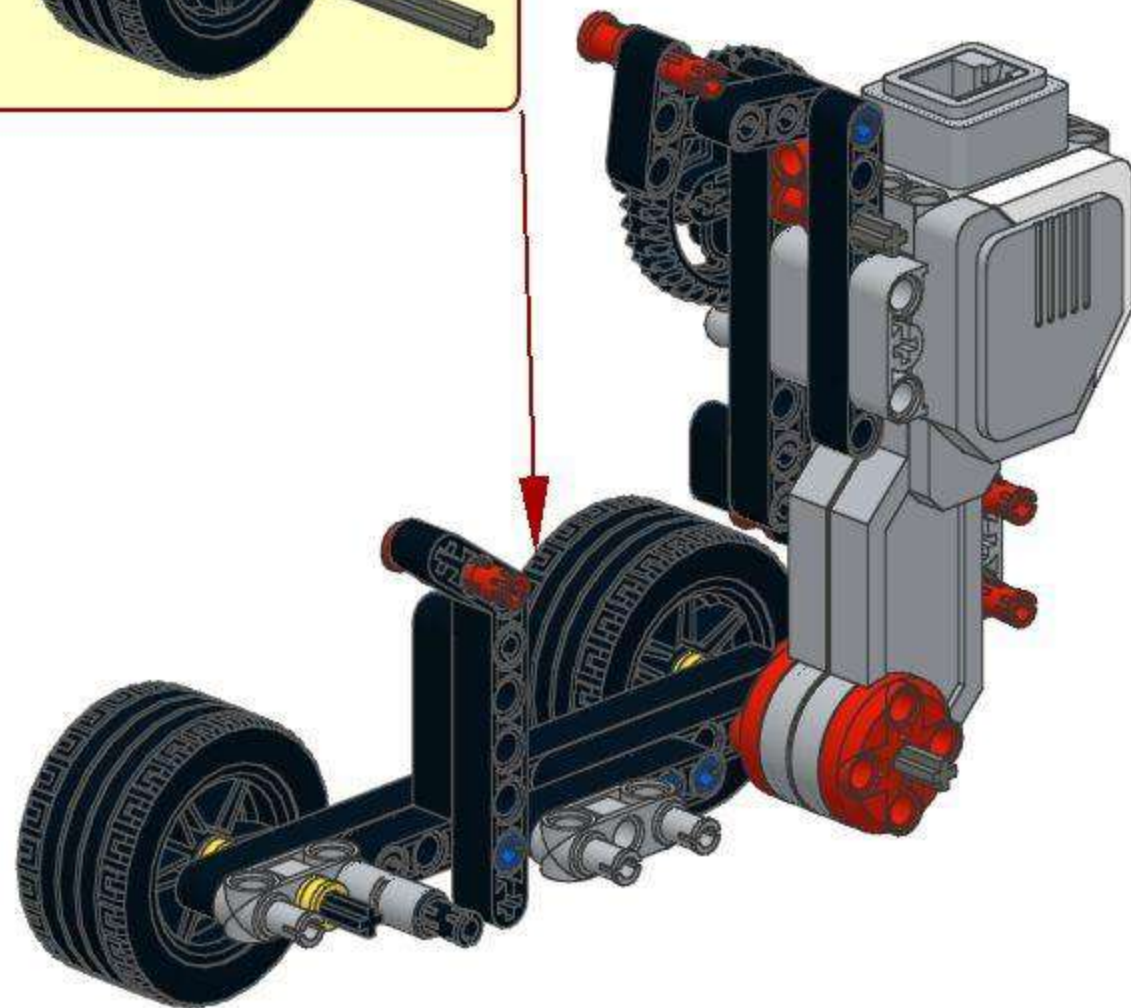
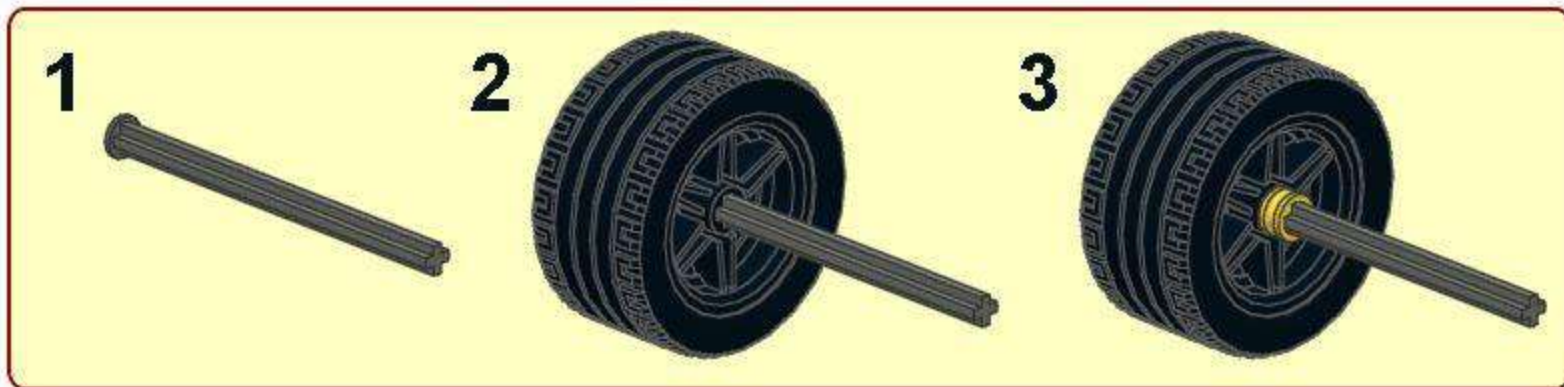
1x

8

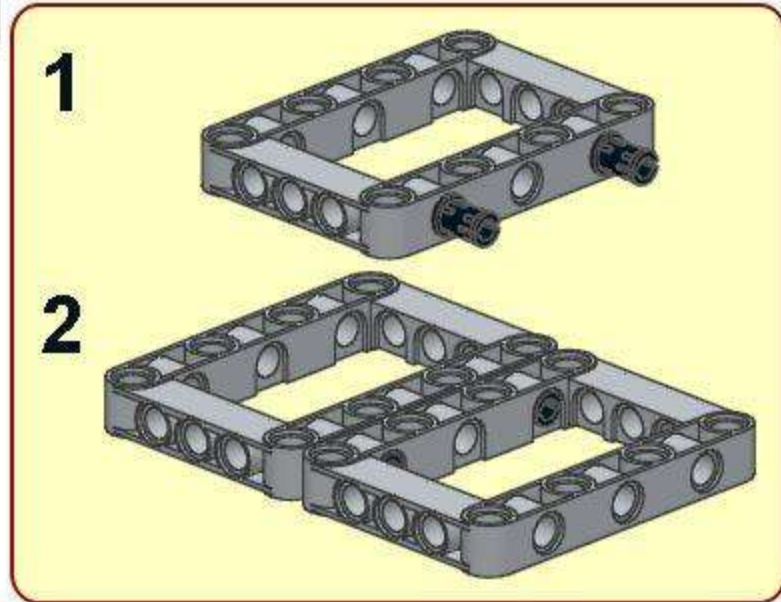
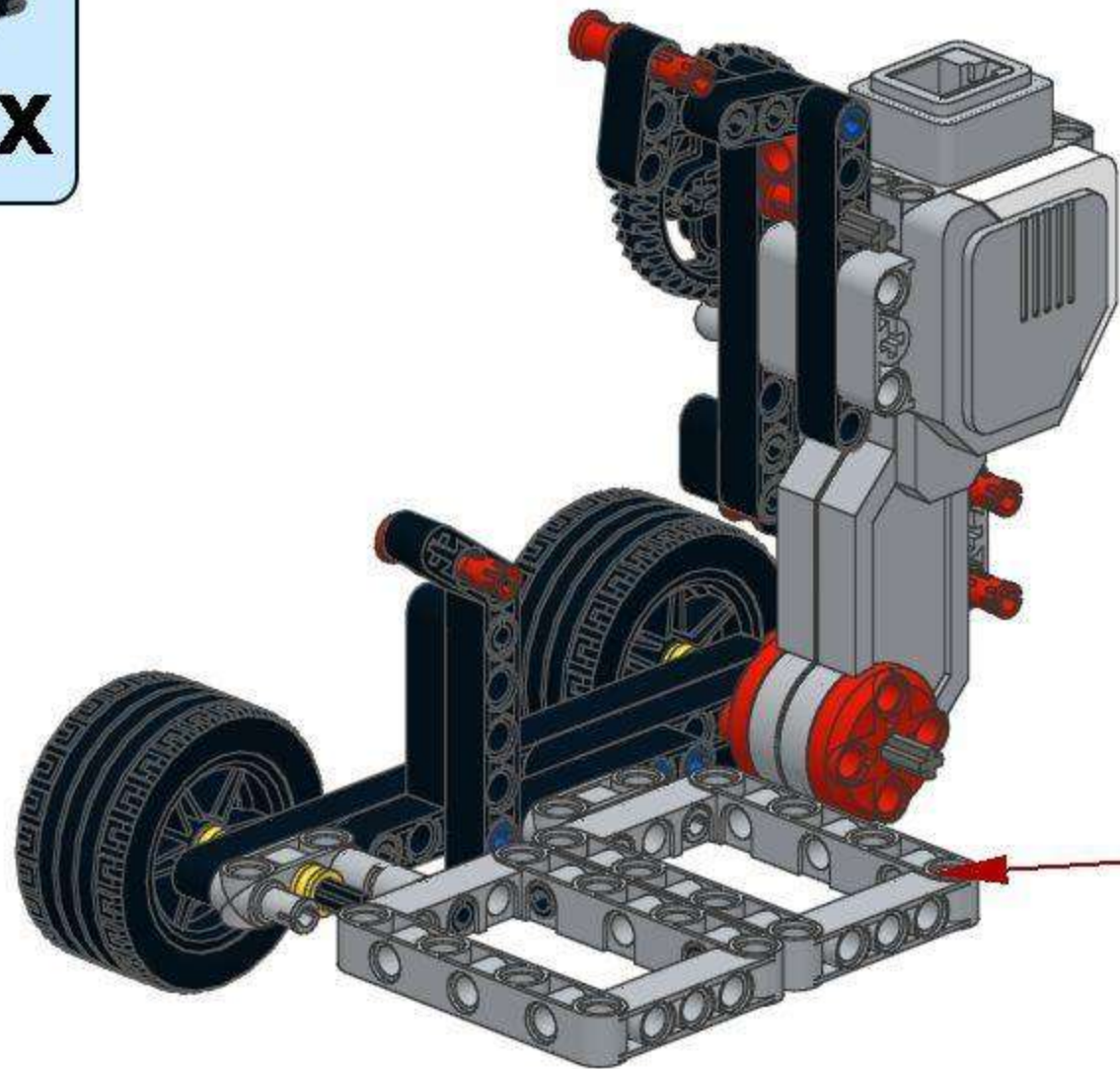
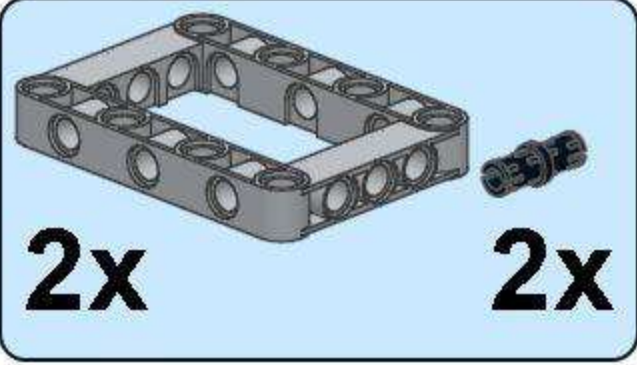


1x

1x



11



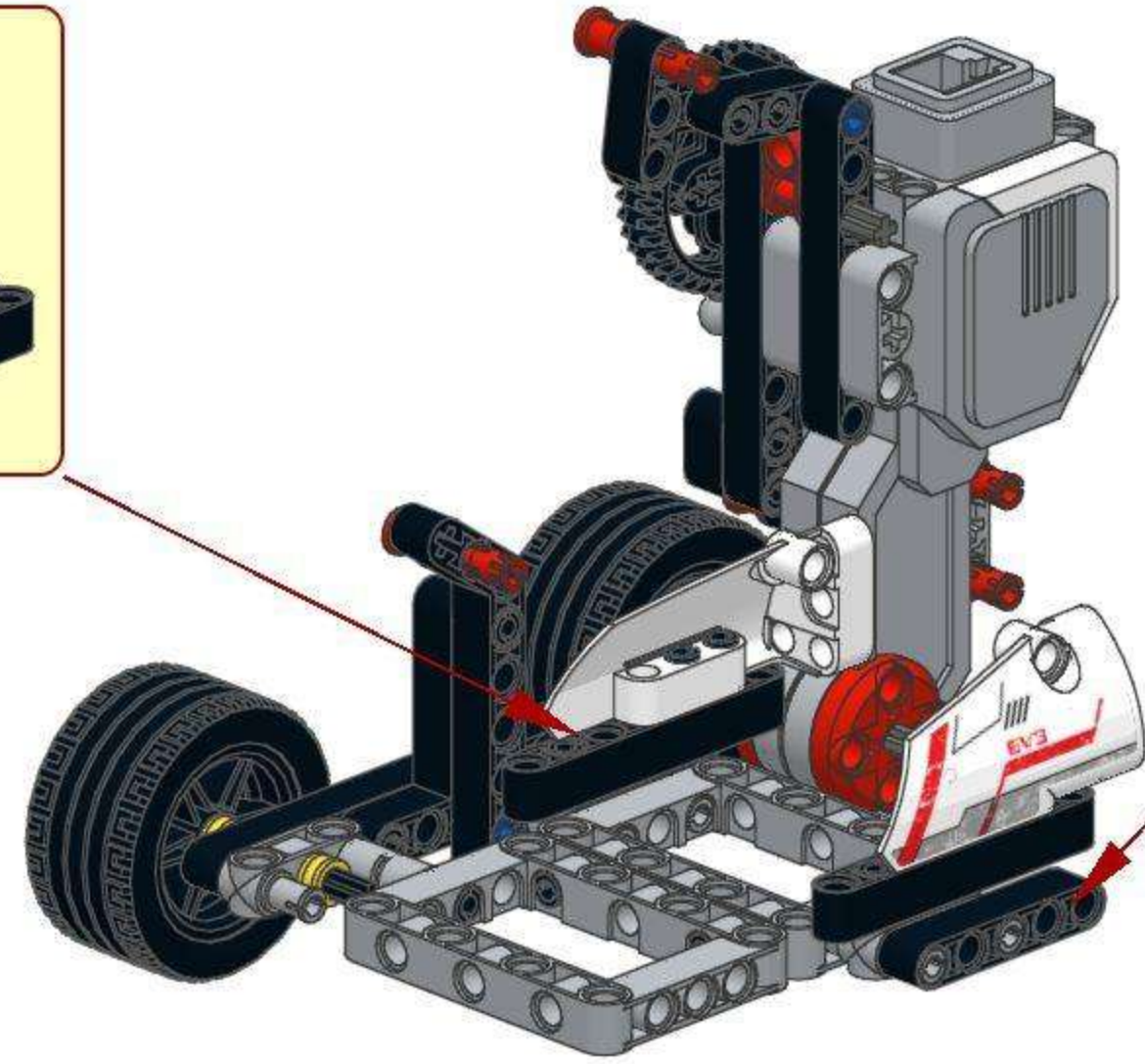
12

Parts list for step 12:

- 1x White 1-hole Technic connector with 3 pins
- 1x Black 5-hole Technic axle with 5 pins
- 5x Black 5-hole Technic axle with 5 pins
- 1x White 1-hole Technic connector with 3 pins
- 7x Black 5-hole Technic axle with 5 pins
- 8x Black 5-hole Technic axle with 5 pins
- 1x White 1-hole Technic connector with 3 pins
- 1x Grey 1-hole Technic connector with 3 pins

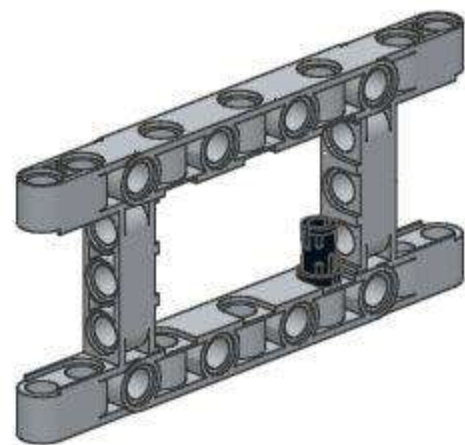
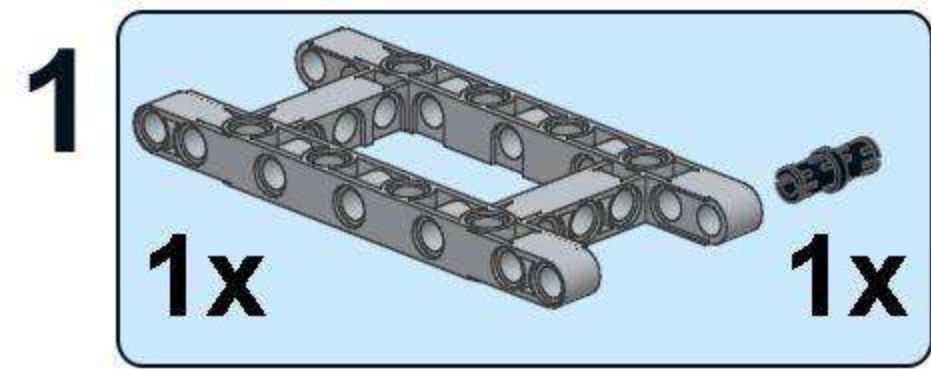
Sub-assembly 1:

- 1 Black 5-hole Technic axle with 5 pins
- 2 White 1-hole Technic connector with 3 pins

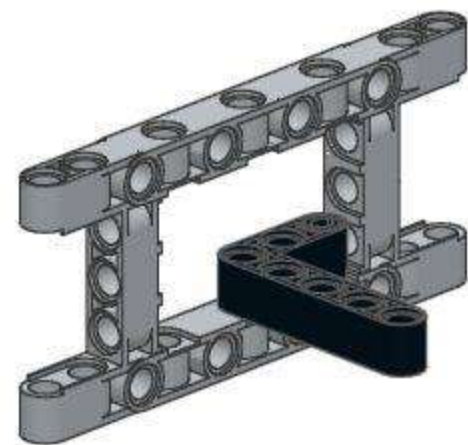
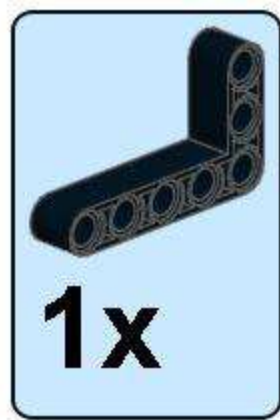


Sub-assembly 2:

- 1 Black 5-hole Technic axle with 5 pins
- 2 Grey 1-hole Technic connector with 3 pins
- 3 Black 5-hole Technic axle with 5 pins
- 4 White 1-hole Technic connector with 3 pins

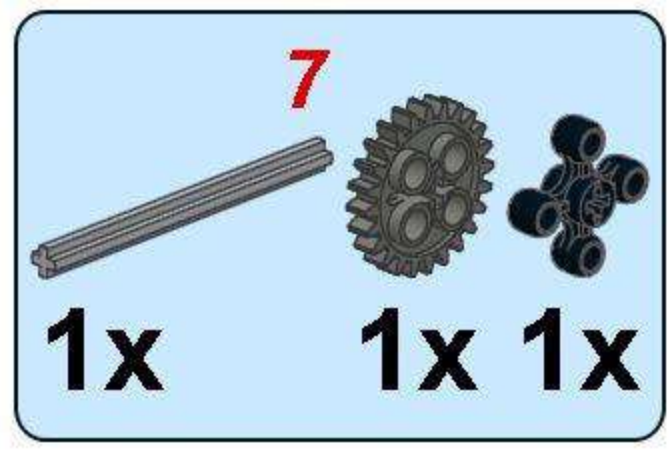


2



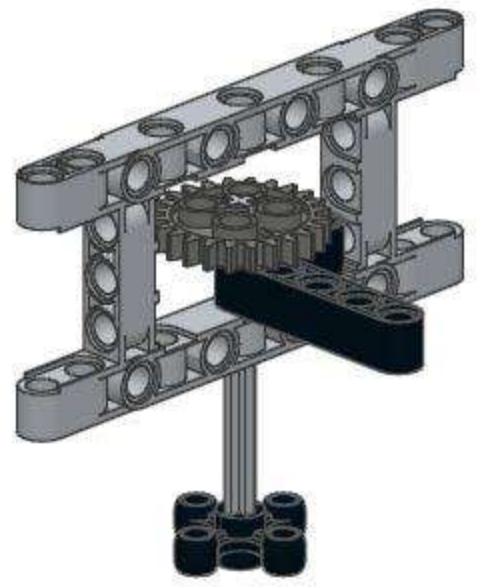
3

7



1x 1x 1x

This block contains a parts list for step 3. It features three items: a grey axle, a grey gear, and a black connector. The number '7' is written in red above the gear. Below each item is the quantity '1x'.



4



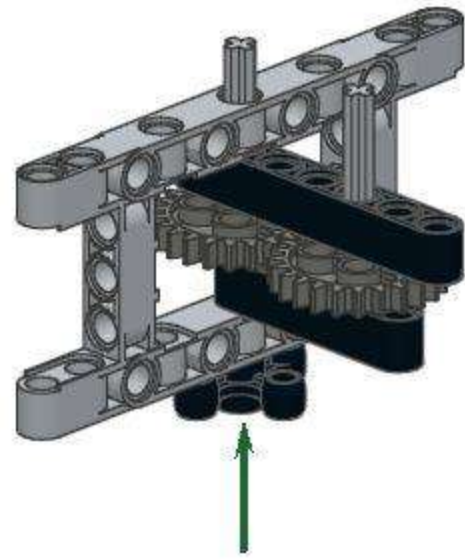
1x 5



1x 7

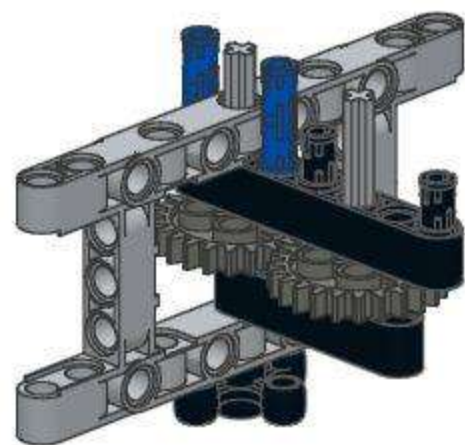


1x

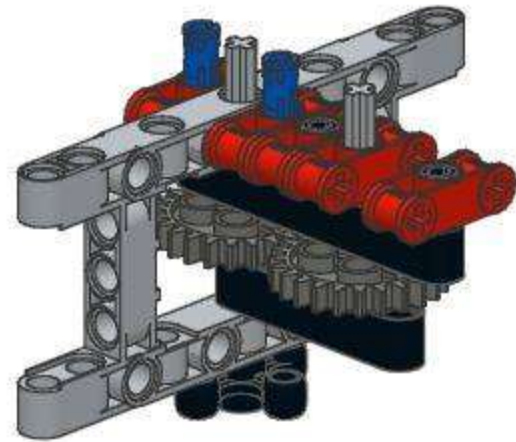


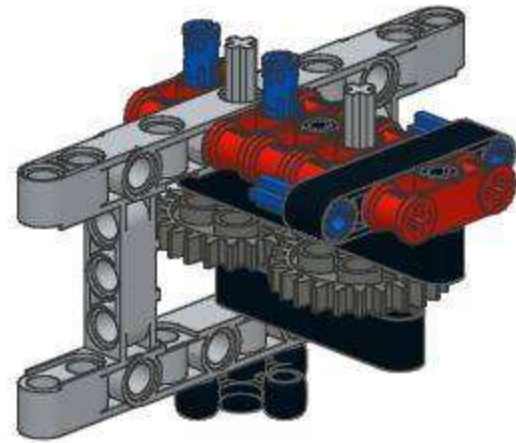
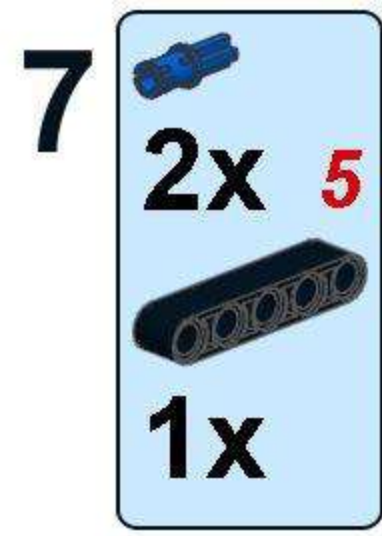
5

2x 2x

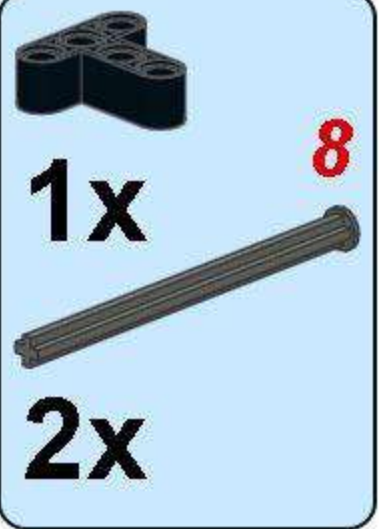


6
5x





8

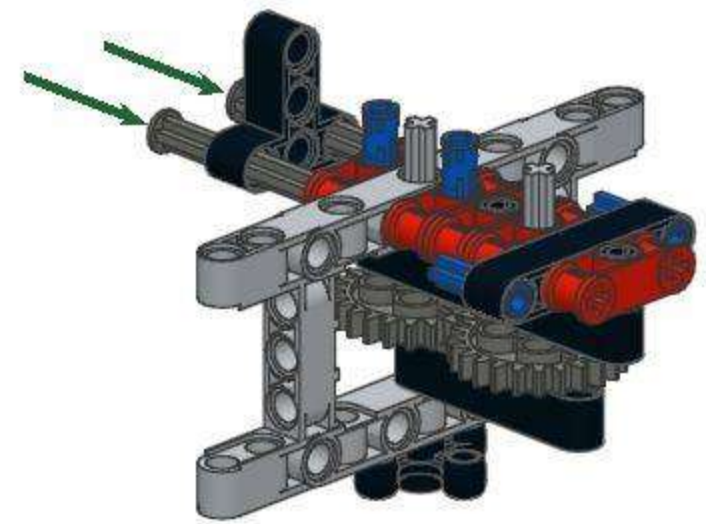


1x

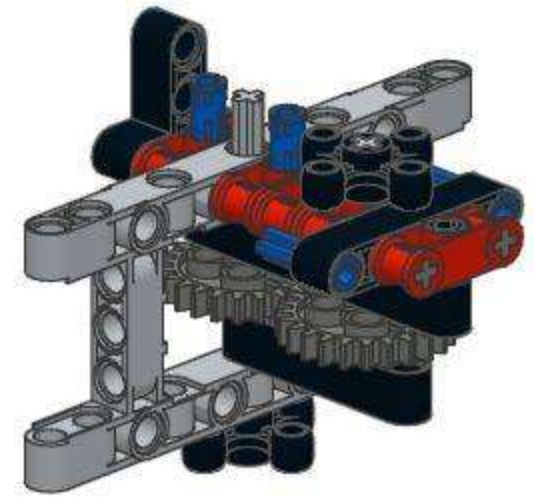
2x

8

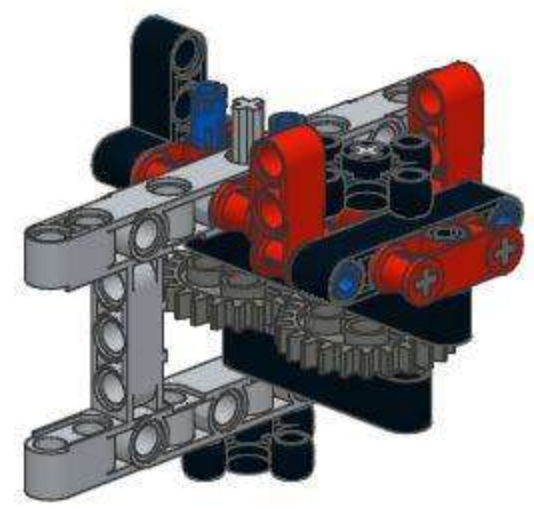
This block contains a parts list for step 8. It features a light blue background with a black border. At the top left, there is a small icon of a black 3-way connector. Below it, the text '1x' is displayed. To the right of '1x' is a red number '8'. Below '1x' is an icon of a grey axle. At the bottom left, the text '2x' is displayed.



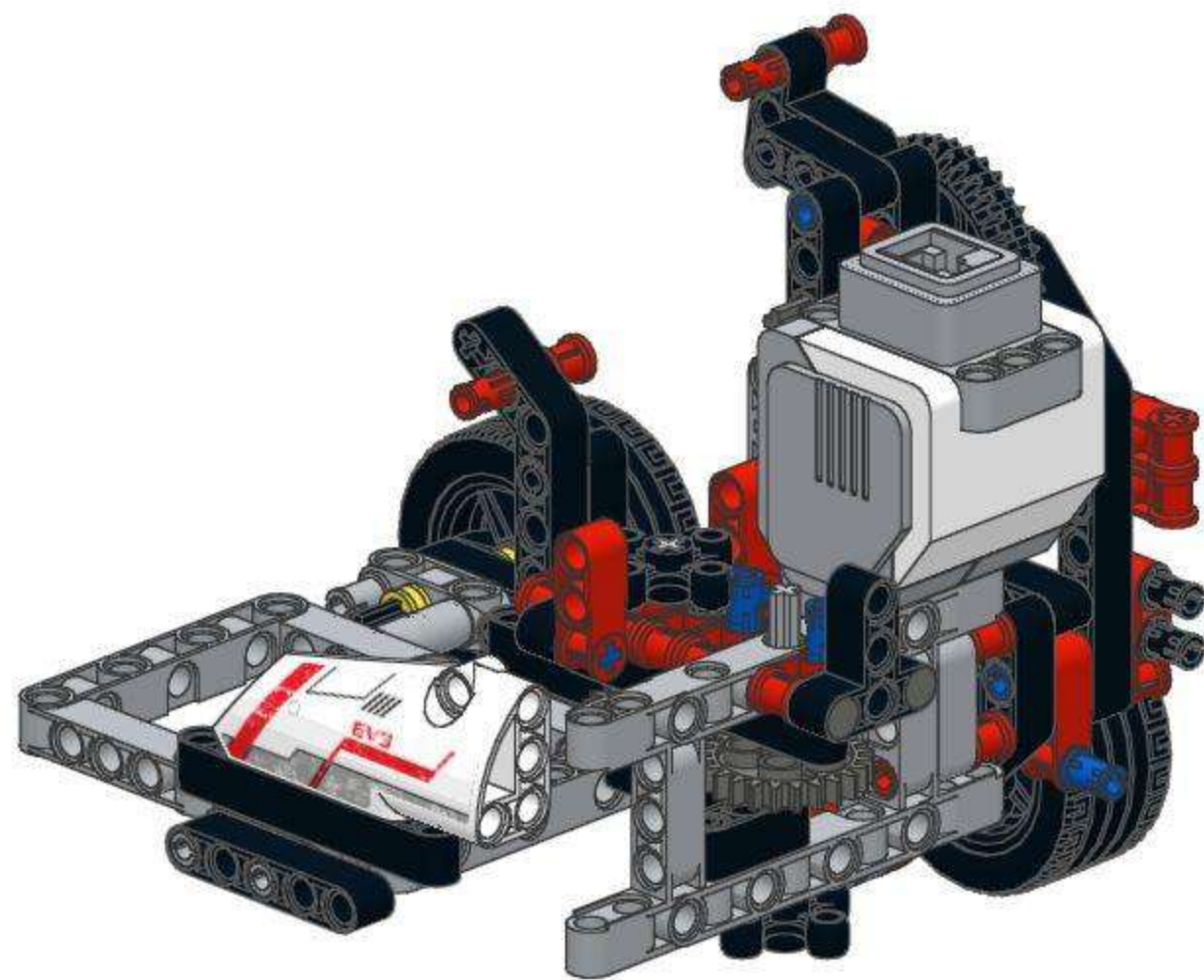
9



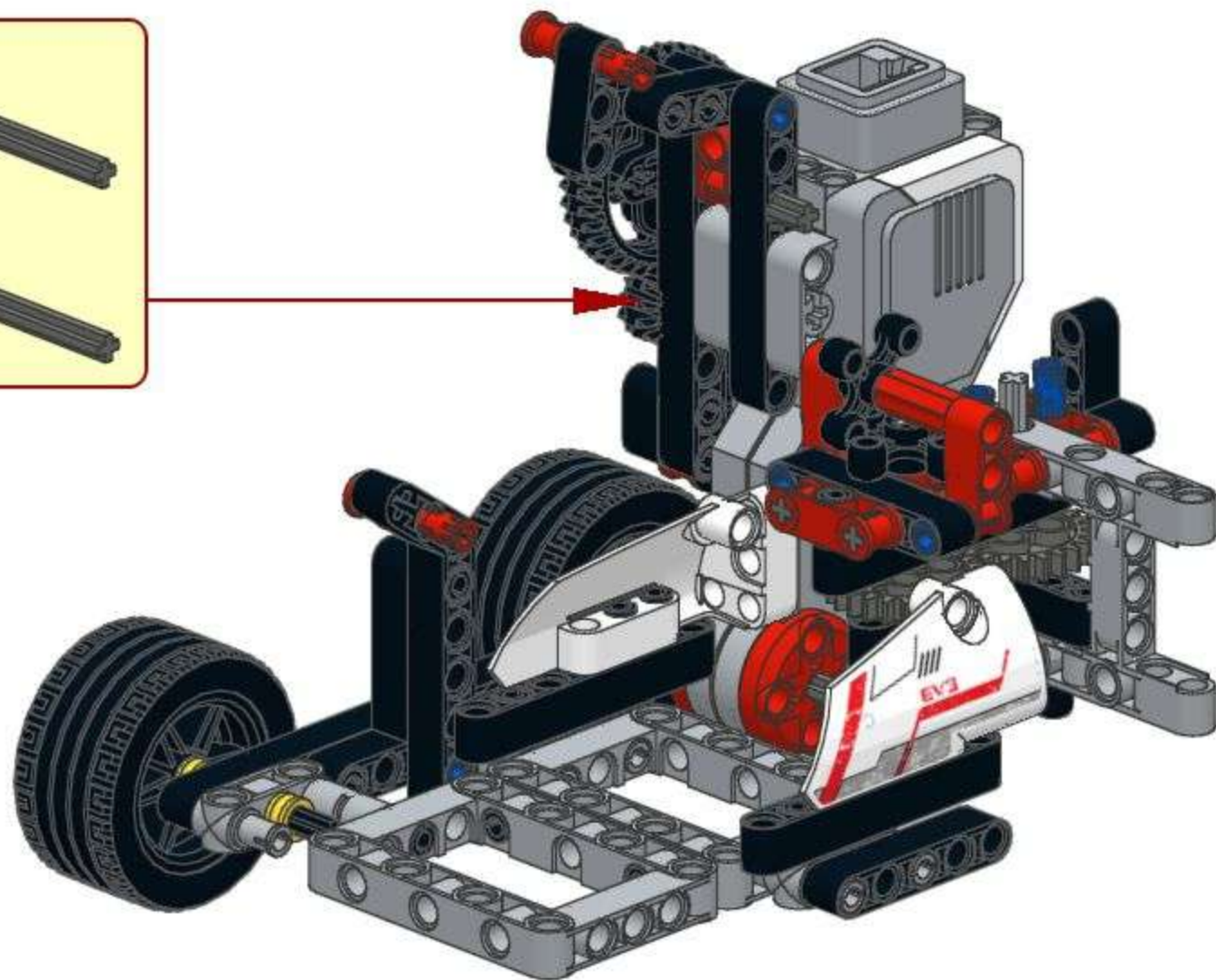
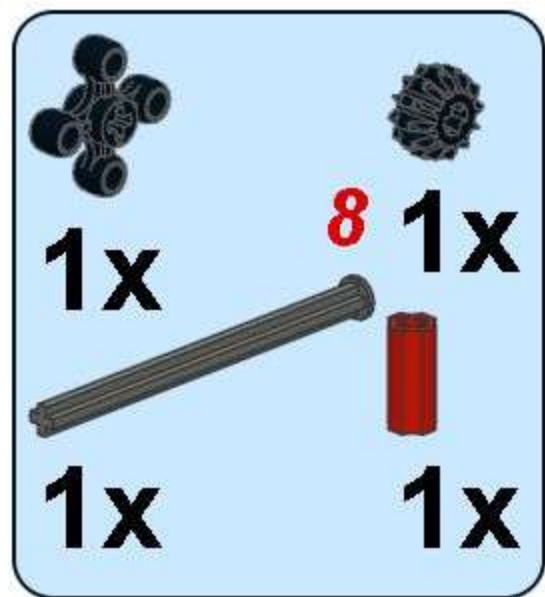
10  2x



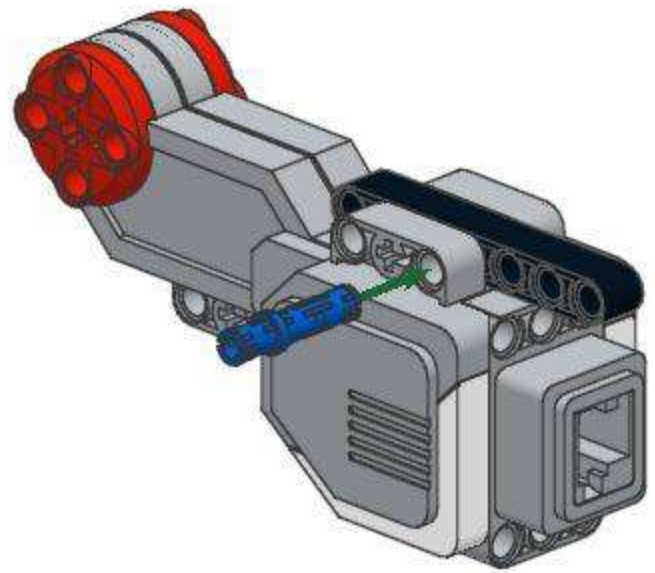
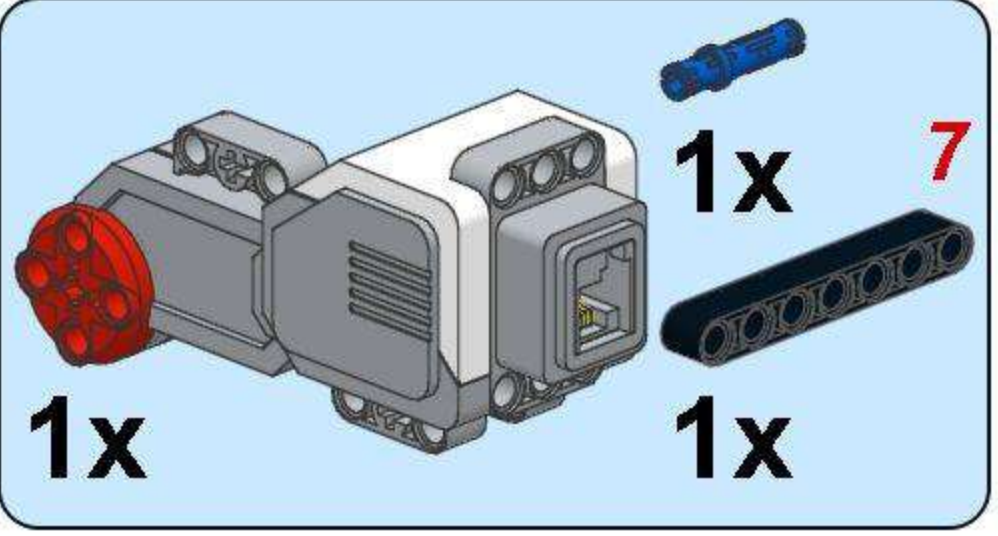
13



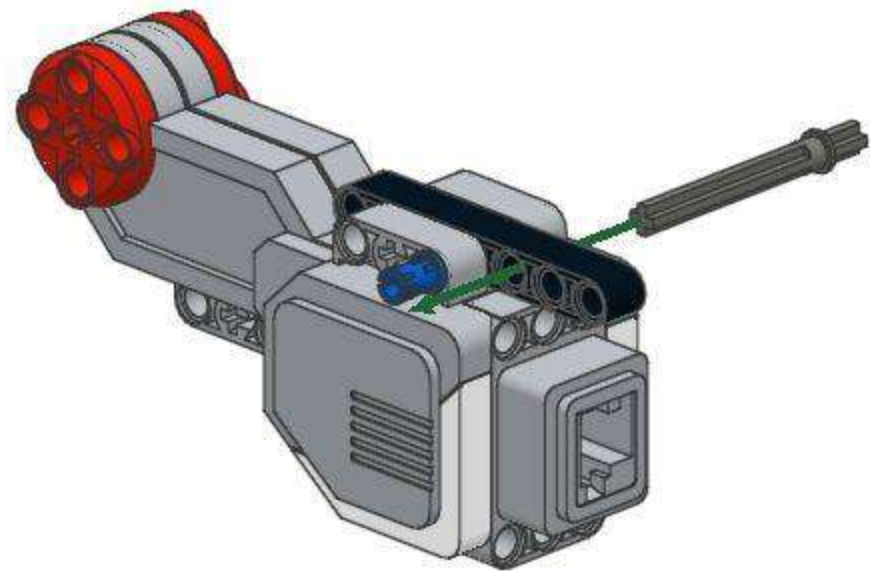
14



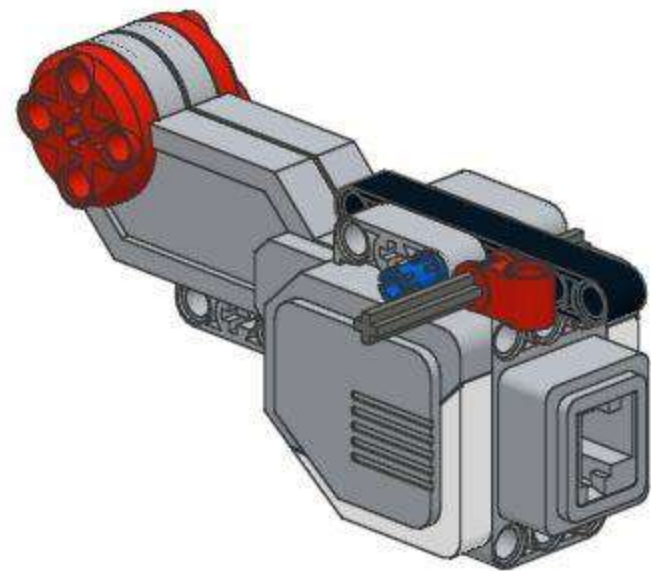
1








2

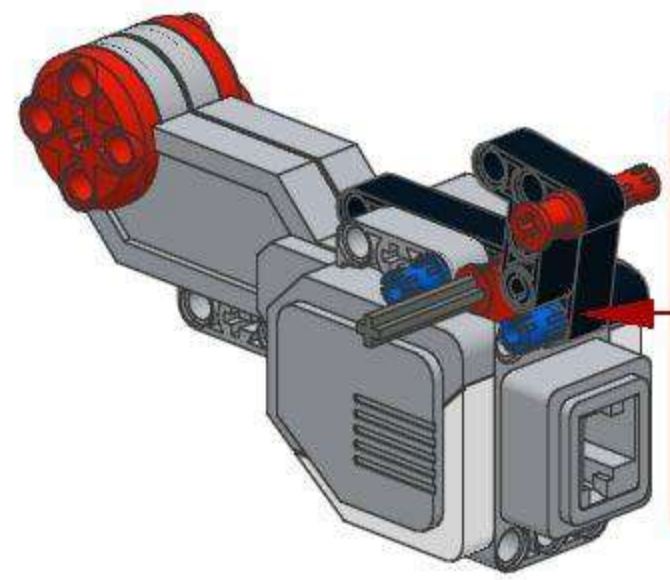



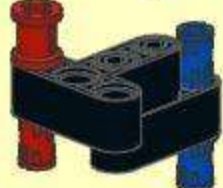
3



4

	3	2x	
1x		1x	
1x		1x	



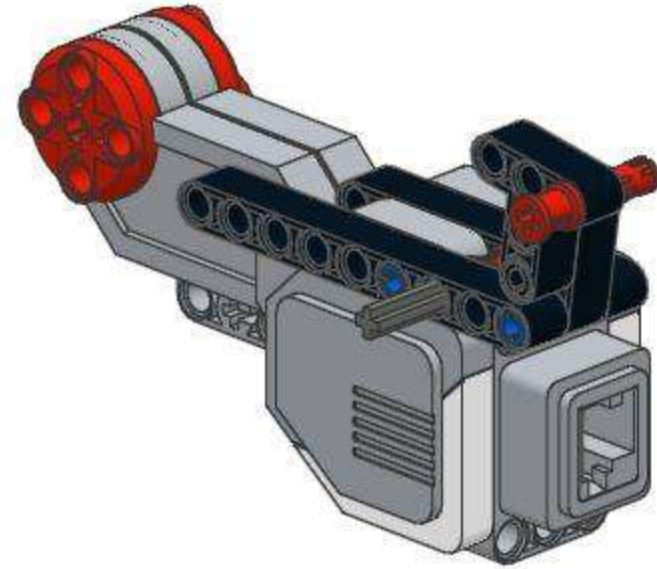
1	
2	

5

9



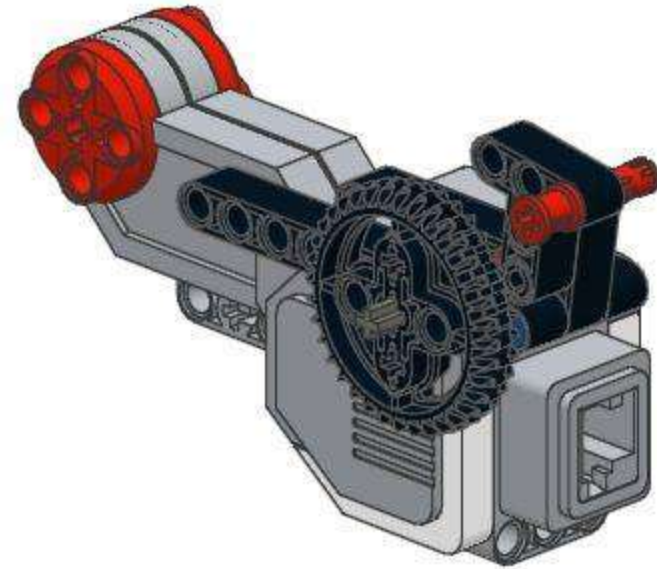
1x



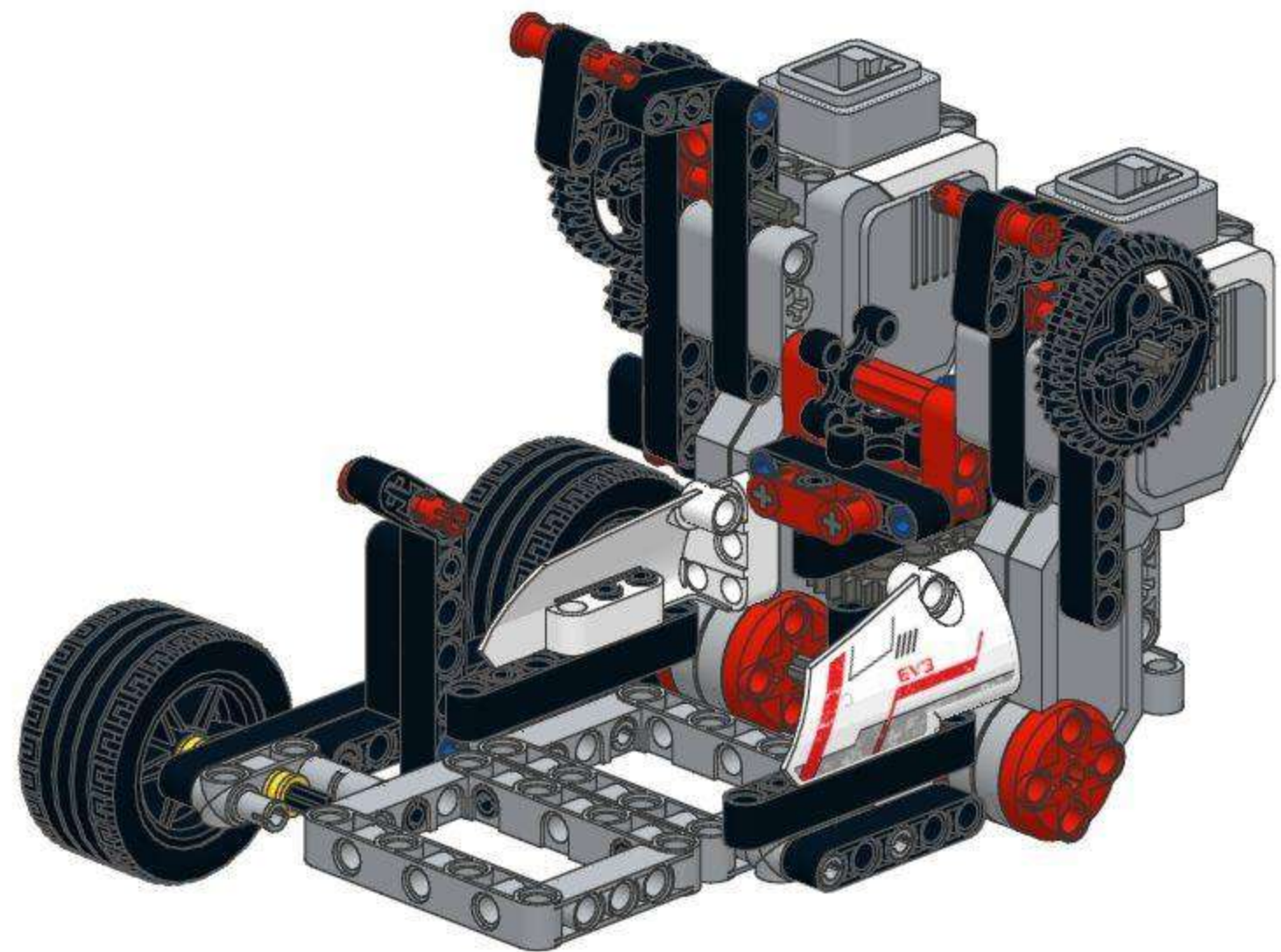
6



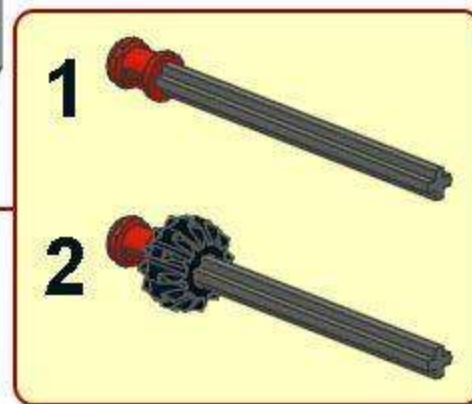
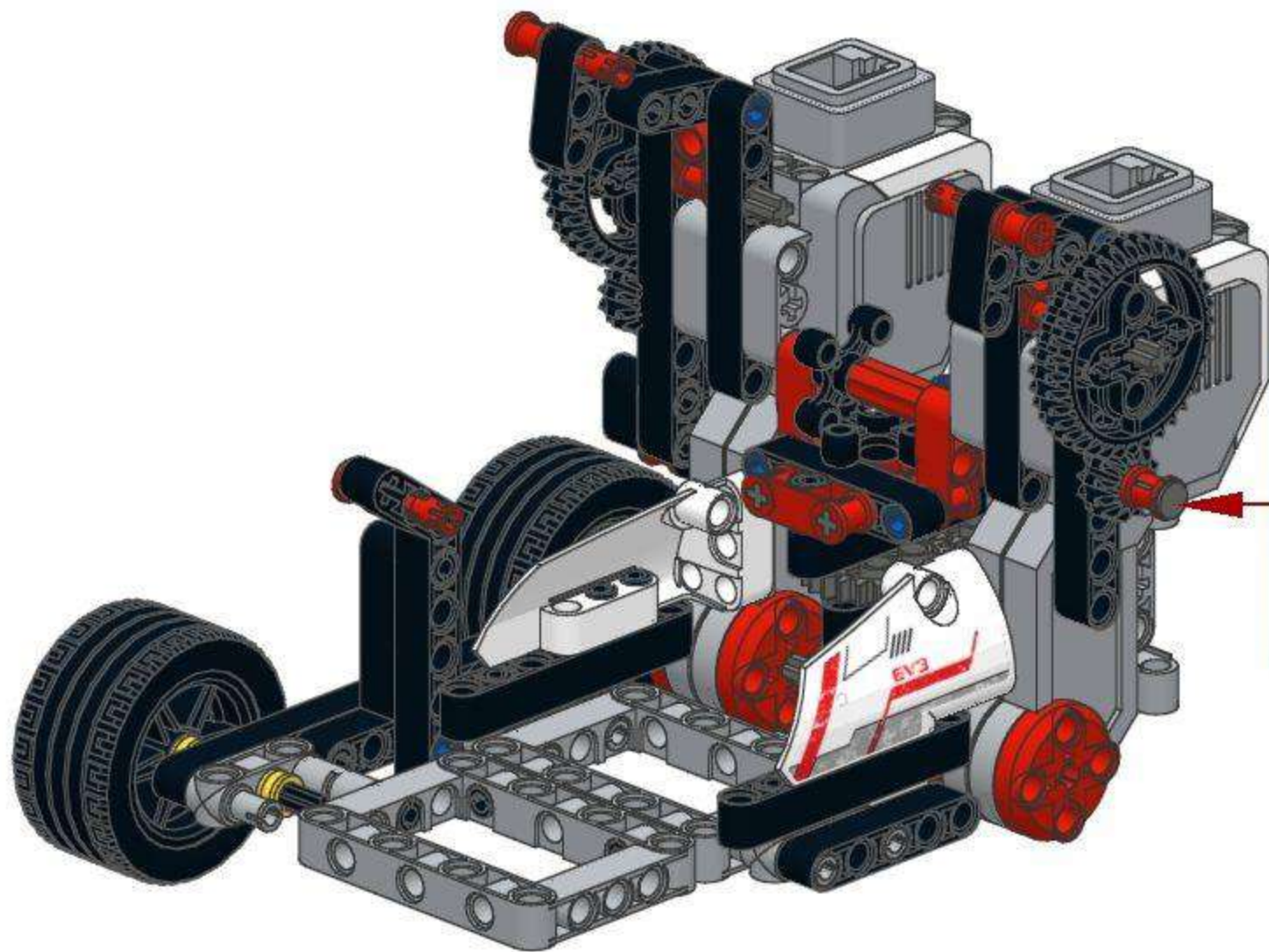
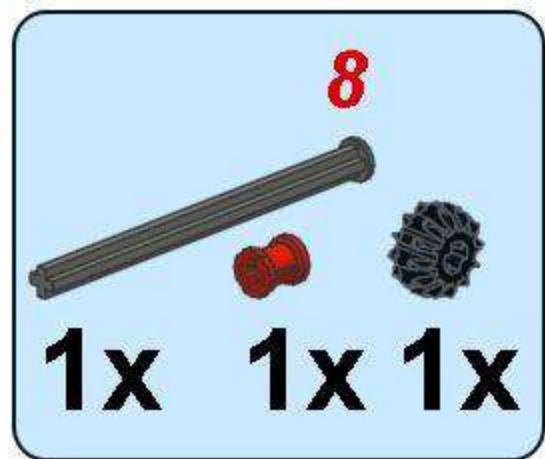
1x



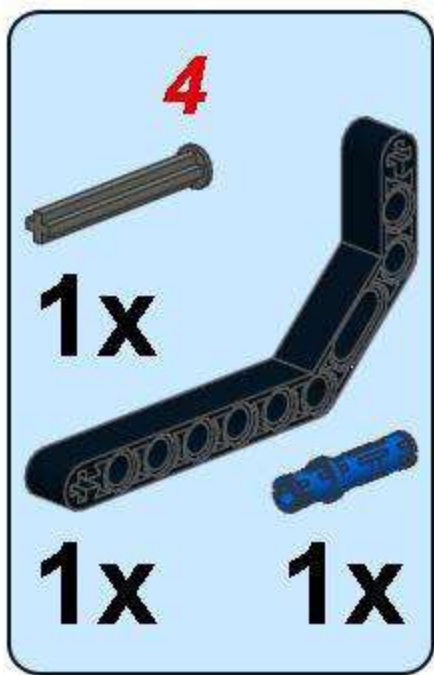
15



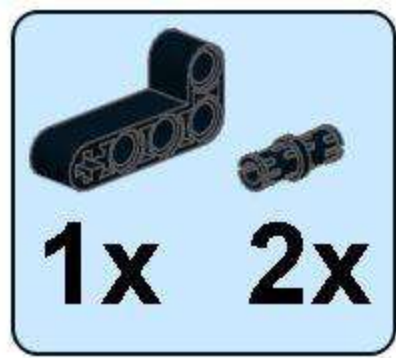
16












1

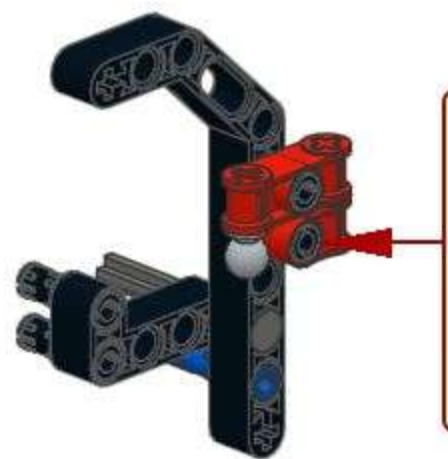




2



3

	1x
	2
	1x
	1x
	2x
	1x
	1x
	1x
	1x



1	
2	

4



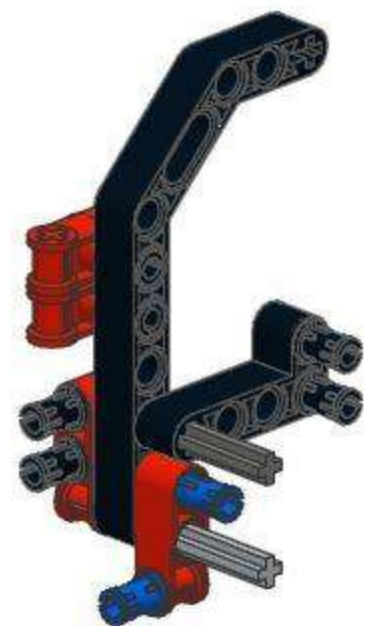
2x 5



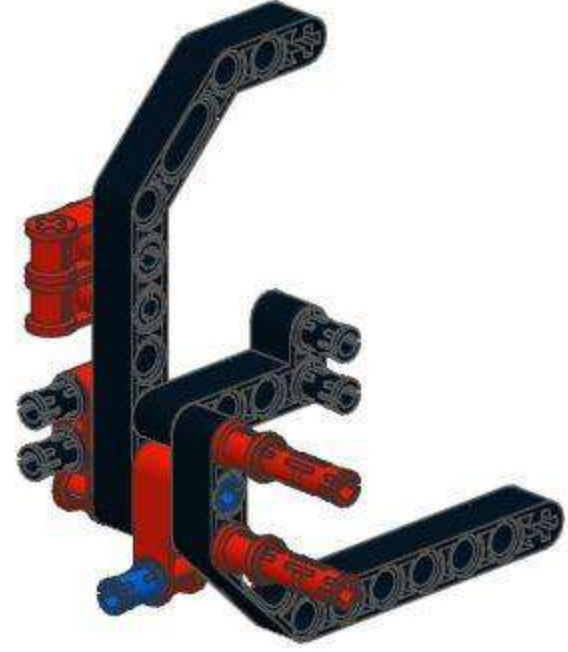
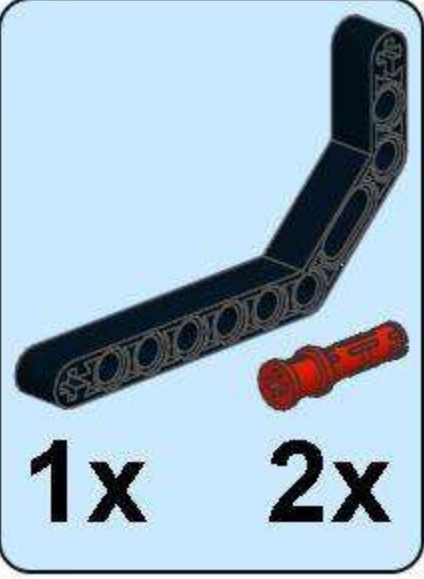
1x

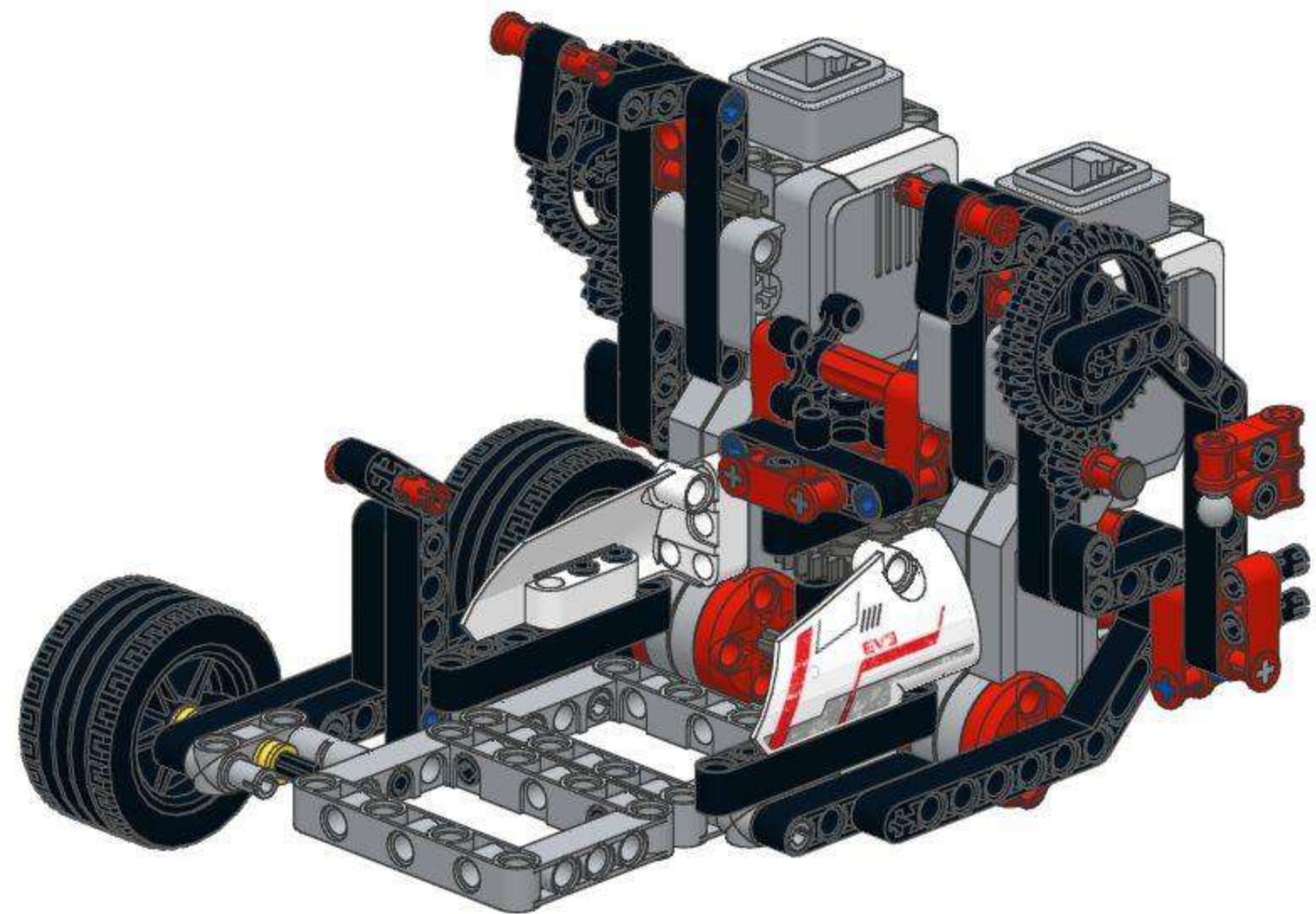


5

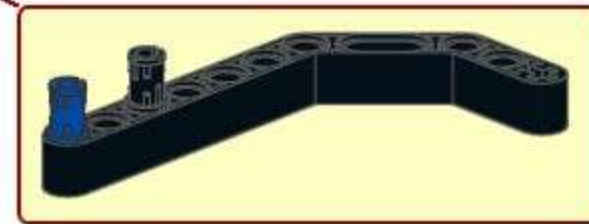
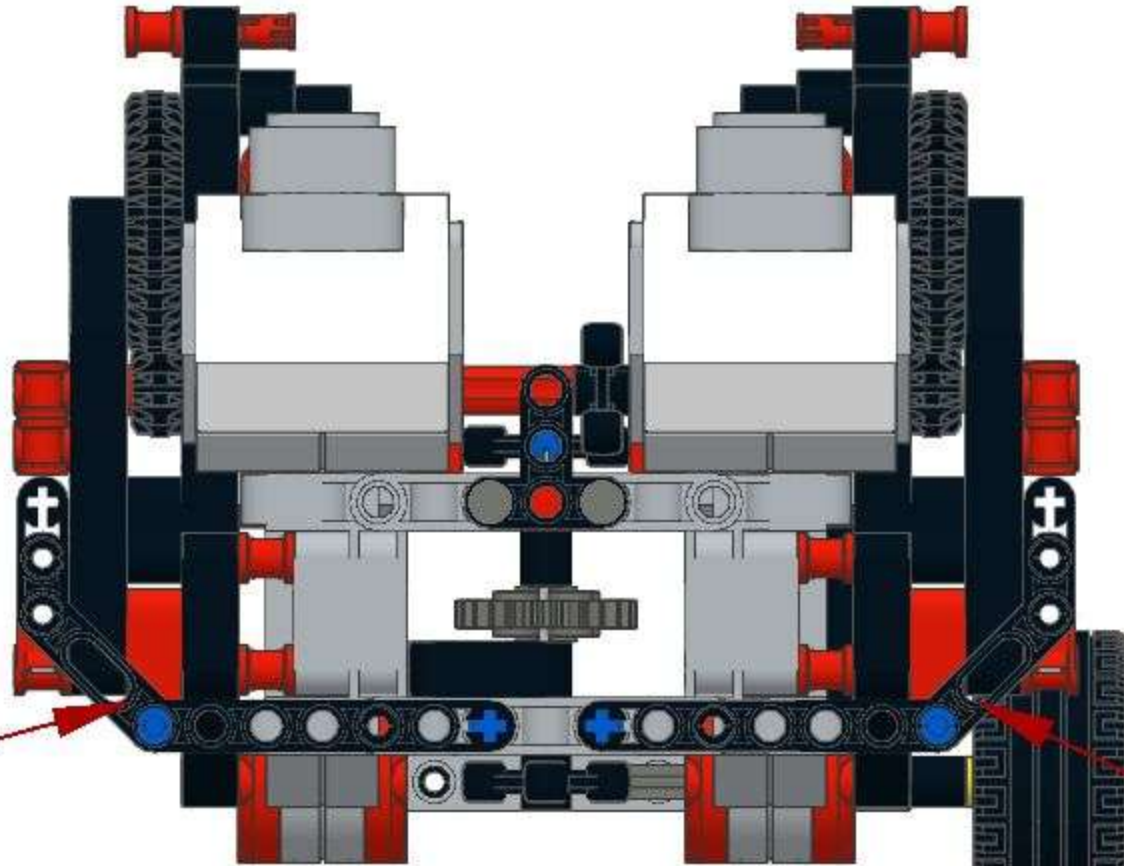
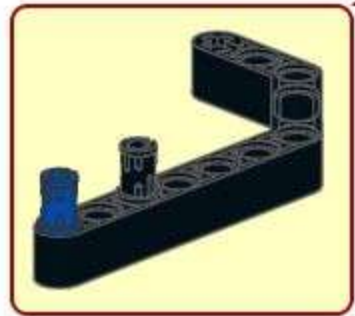
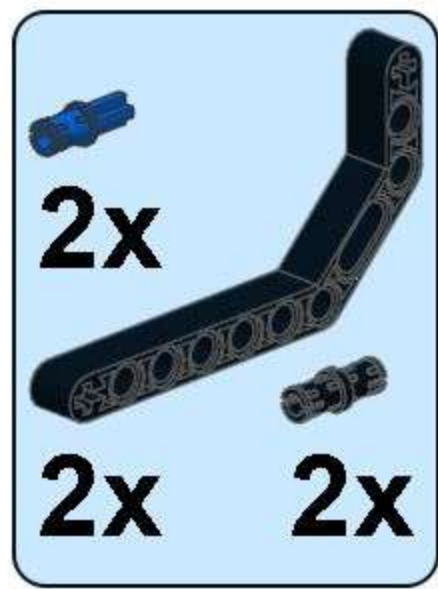


6





18



1



15

2x



1x

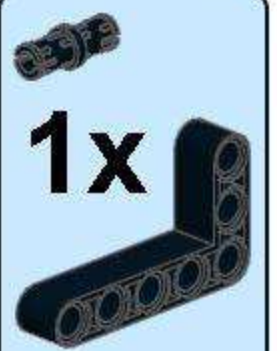


3x

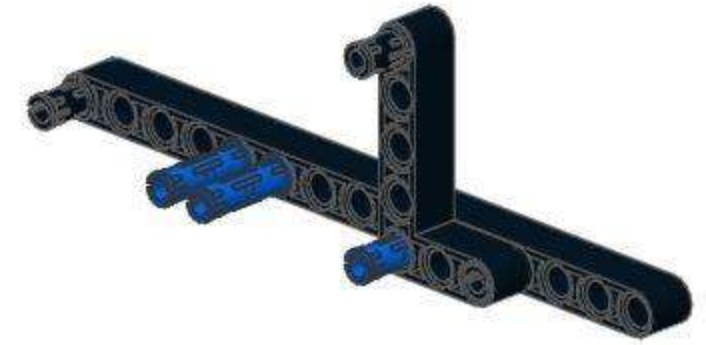


2

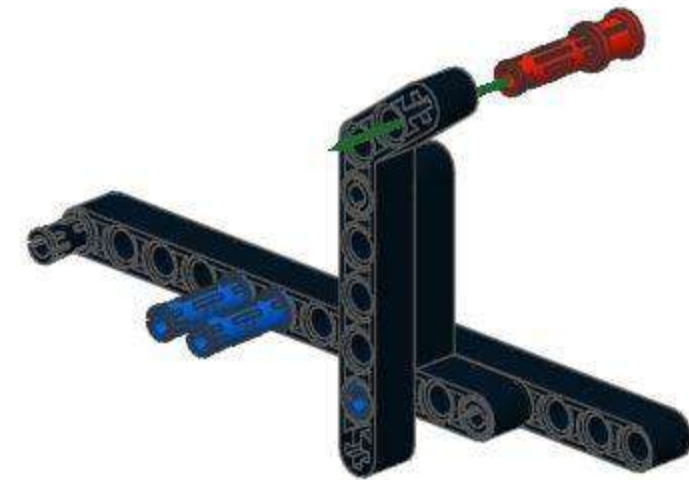
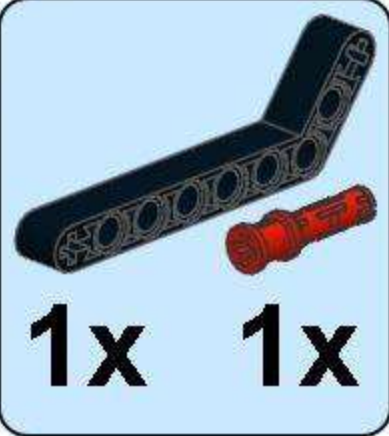
1x



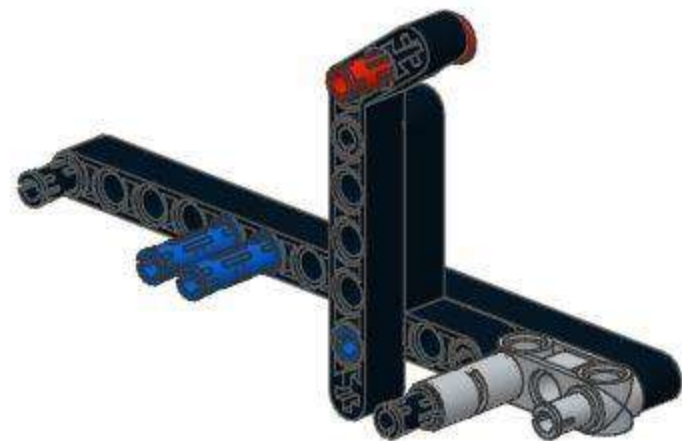
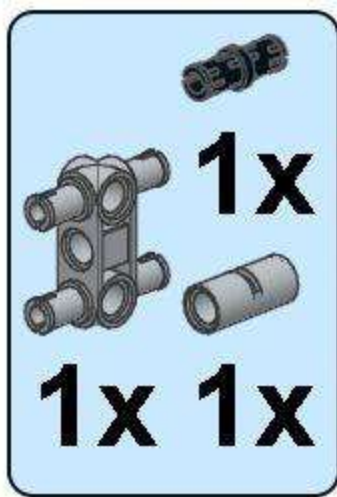
1x



3



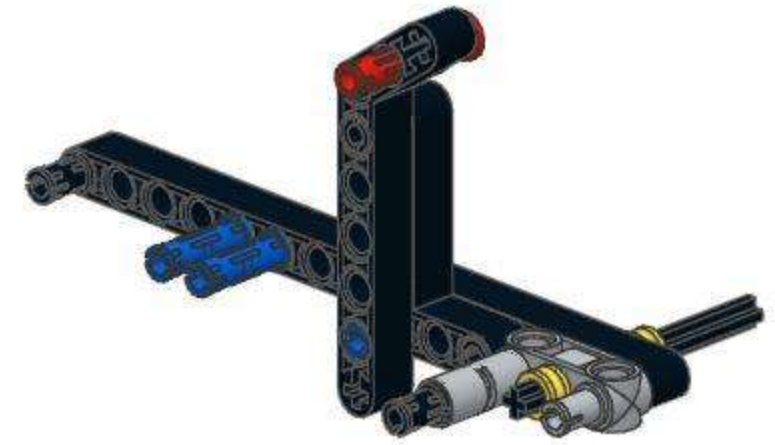
4



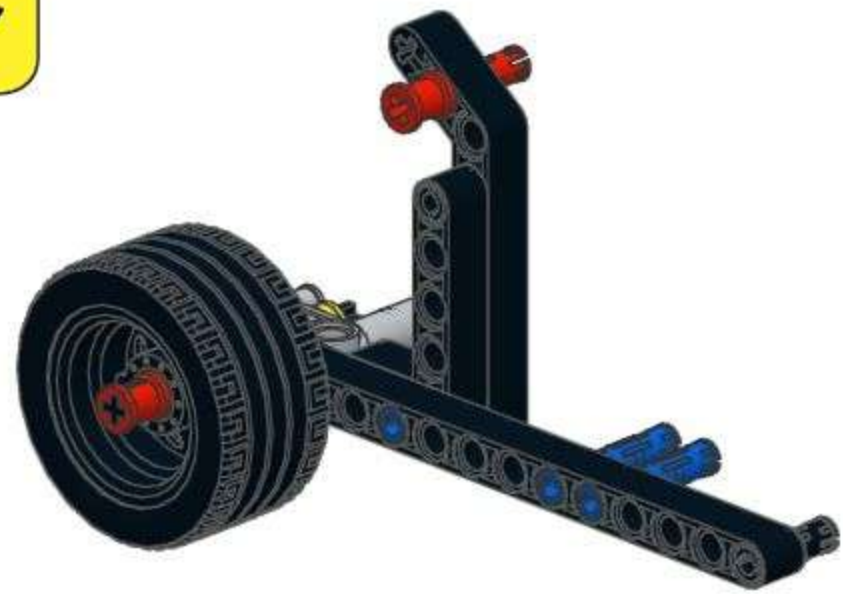
5

 **2x** **6**

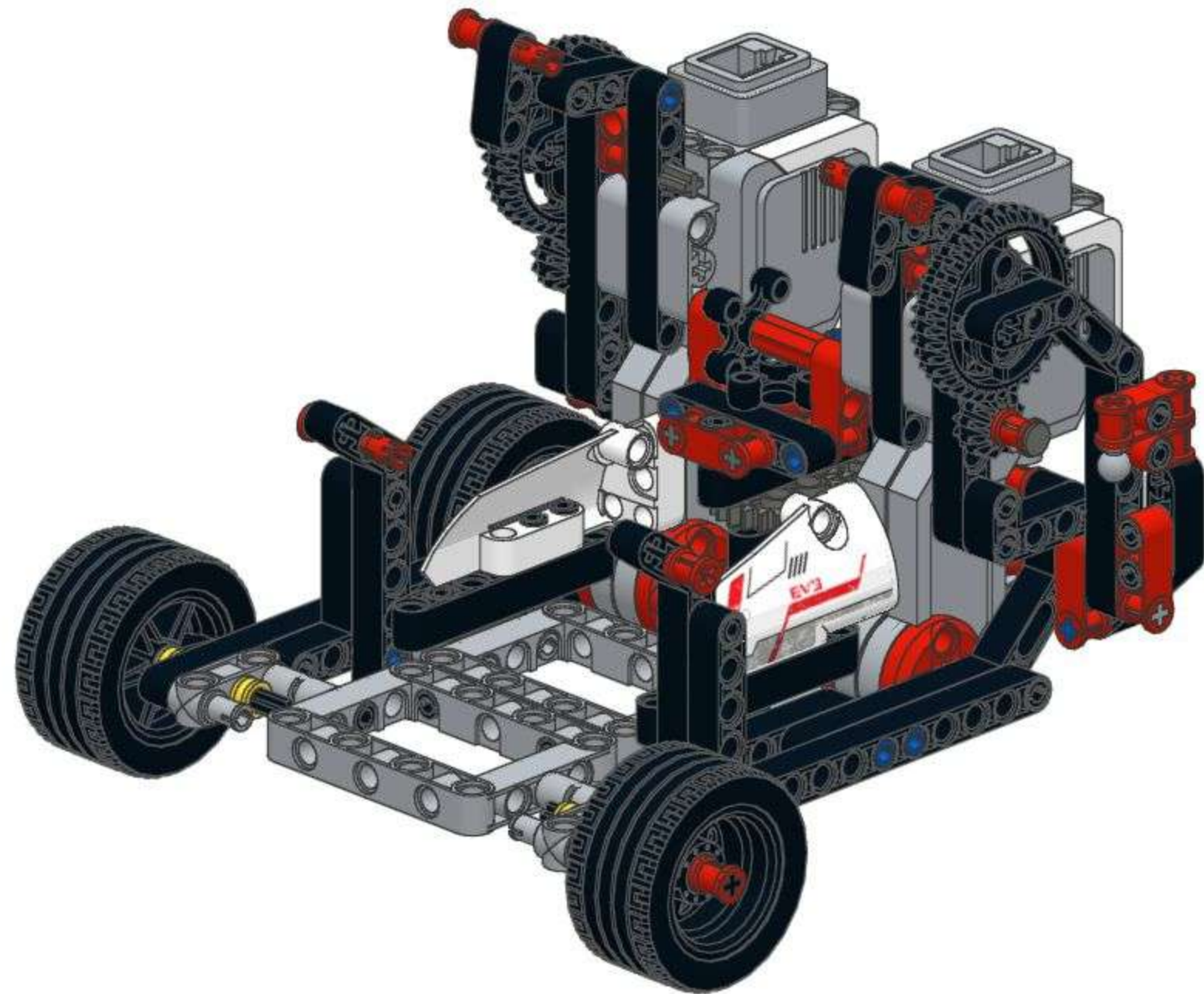
1x



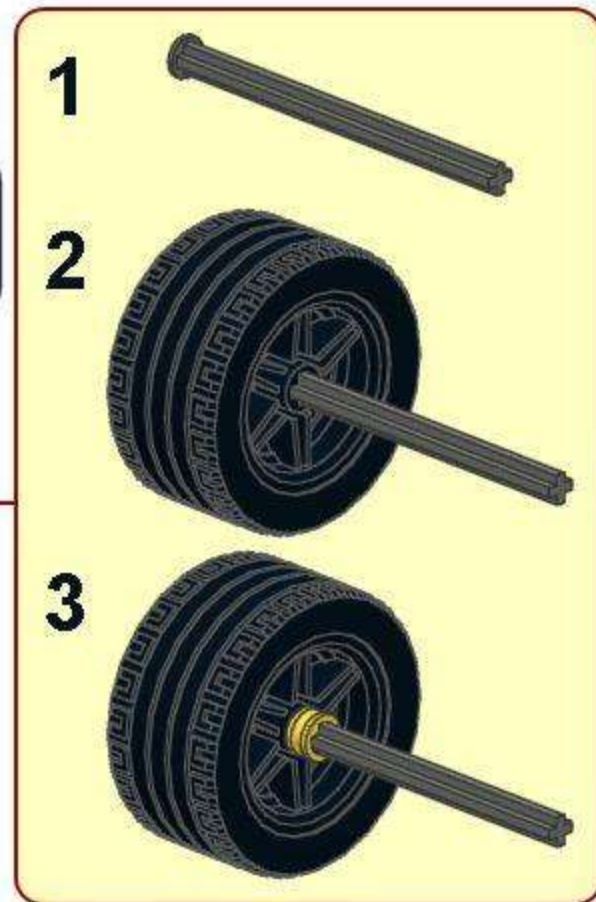
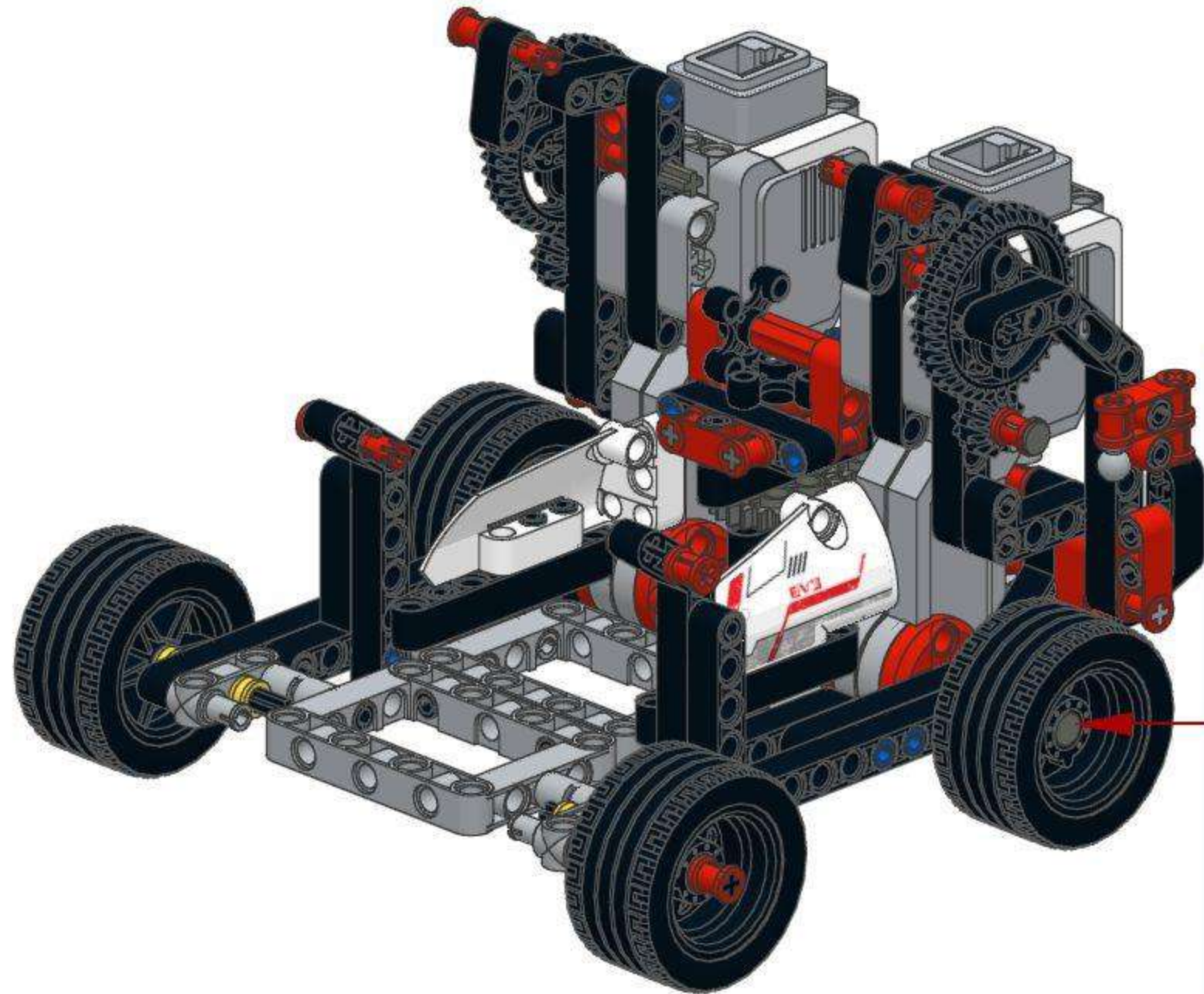
6



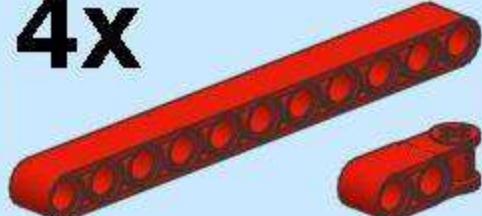
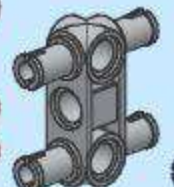





19

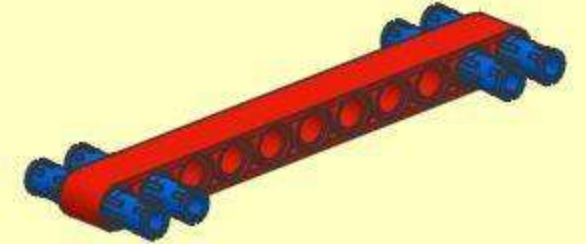
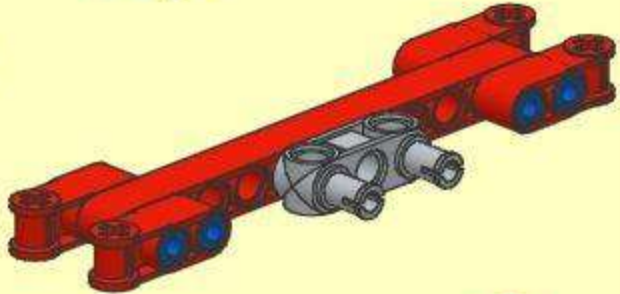
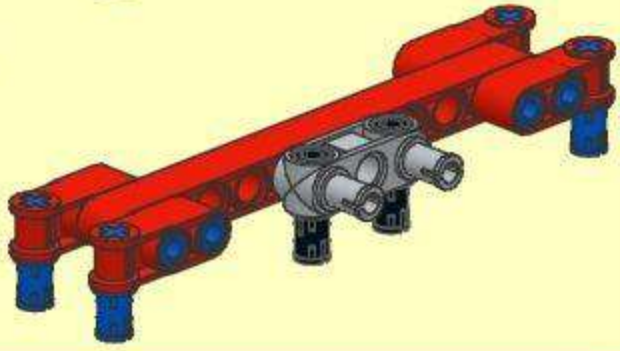


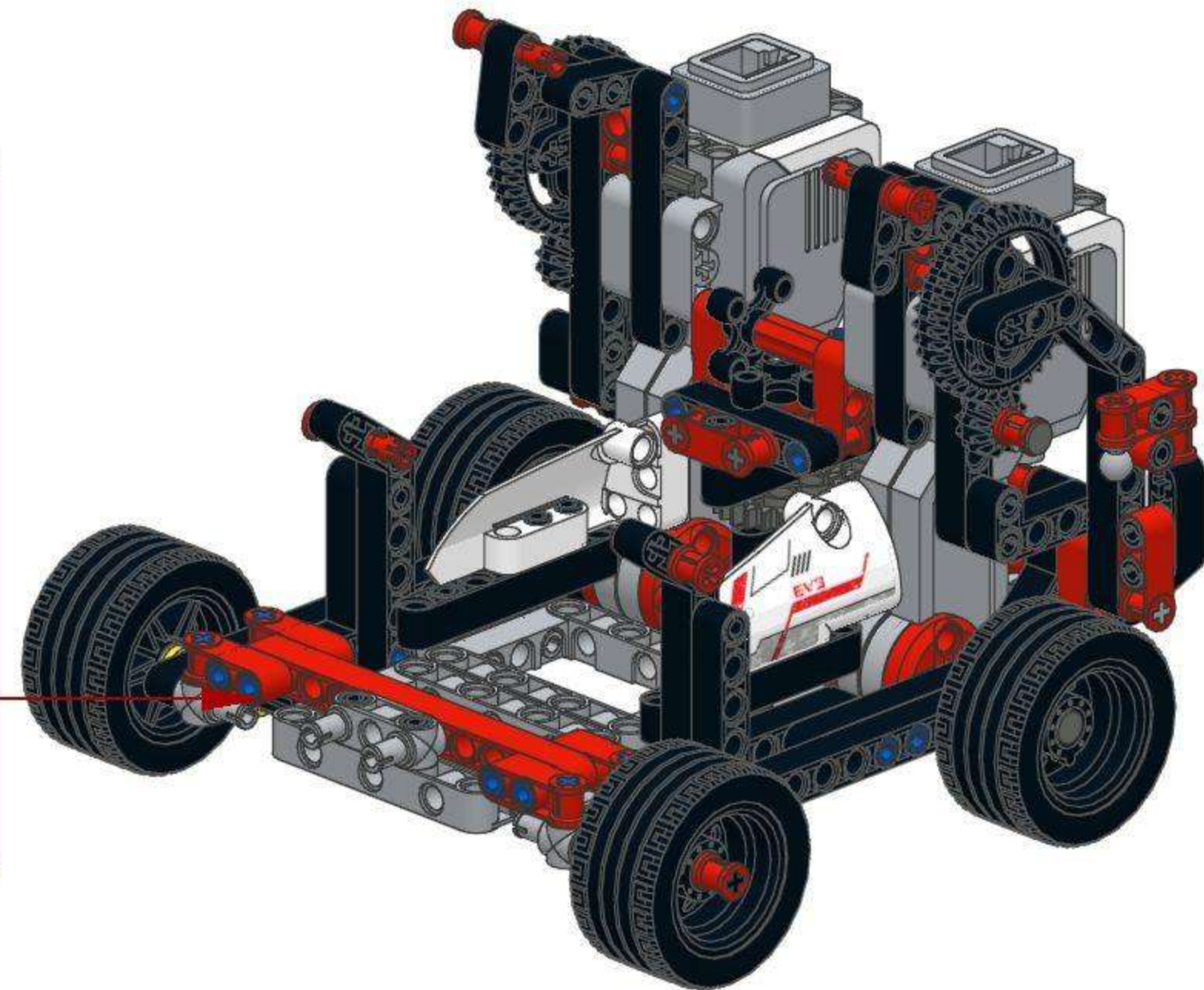
20



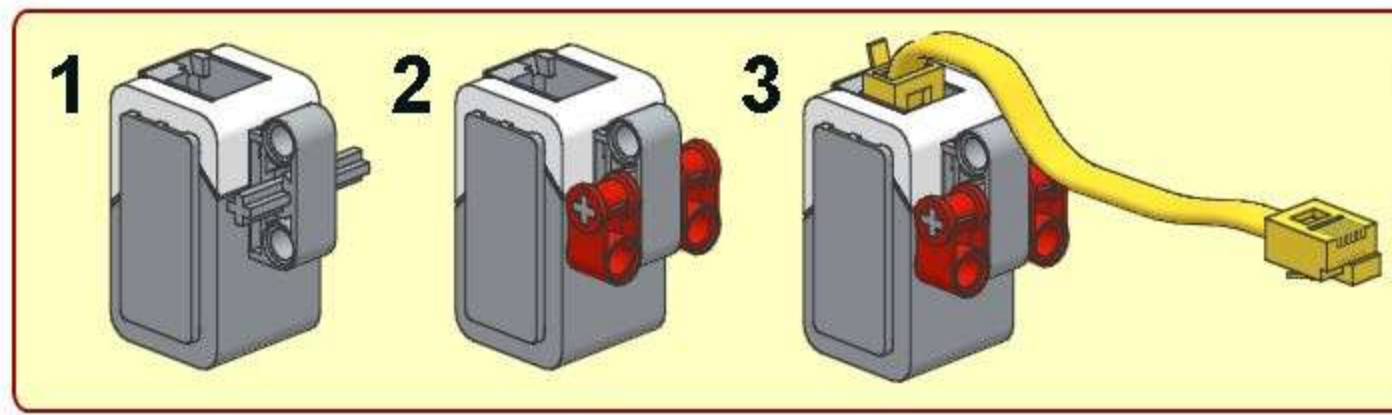
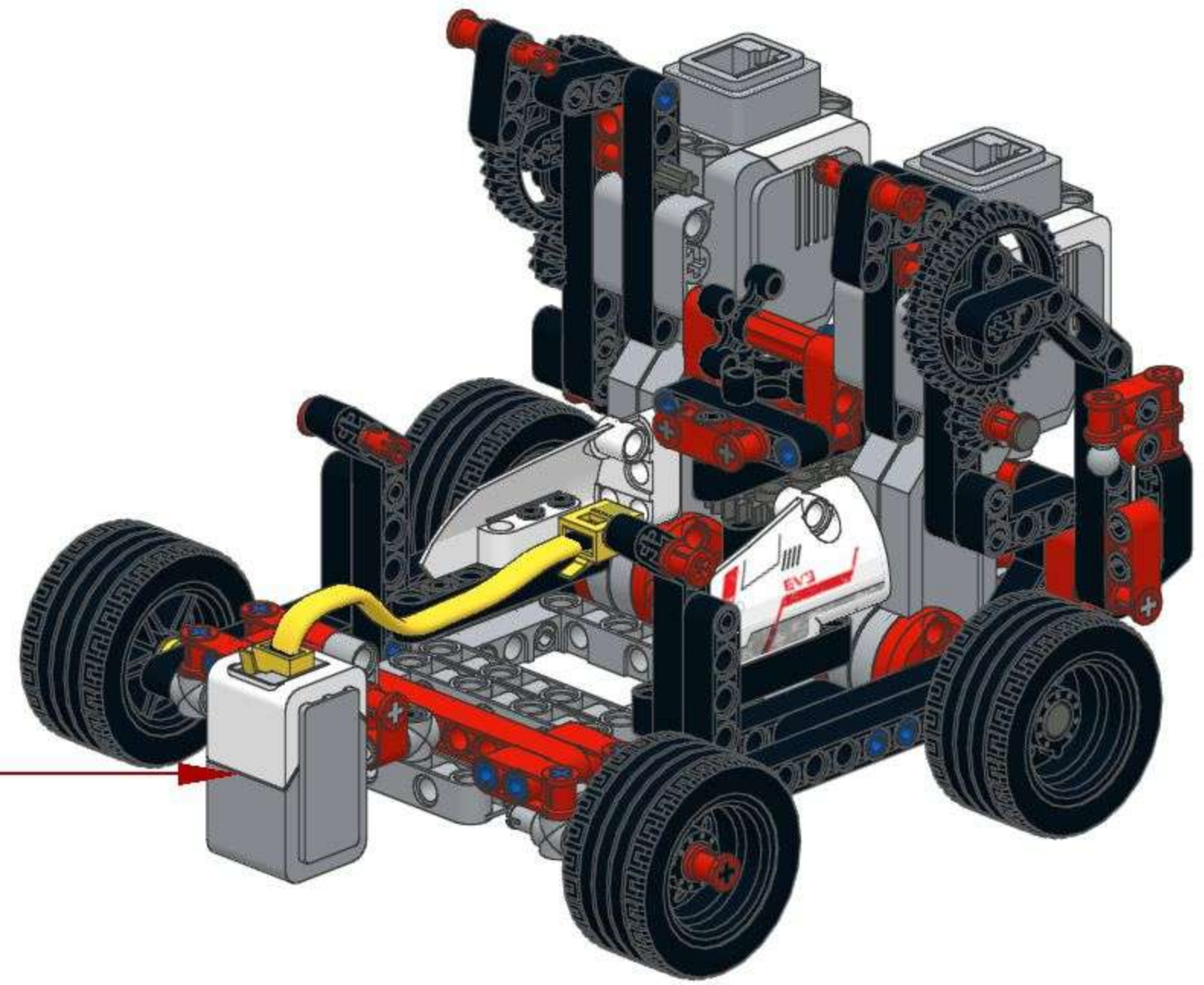
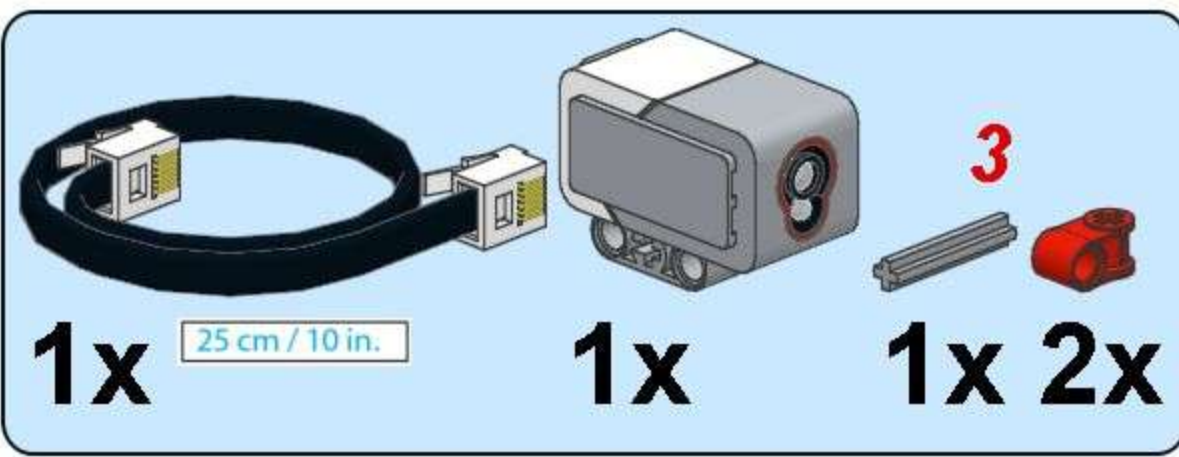
21

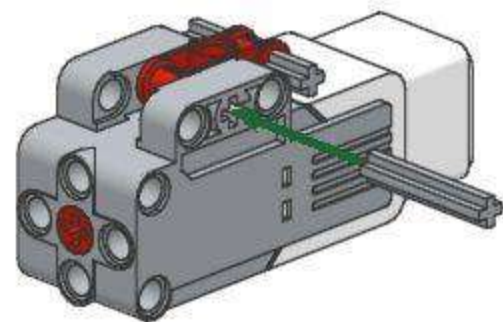
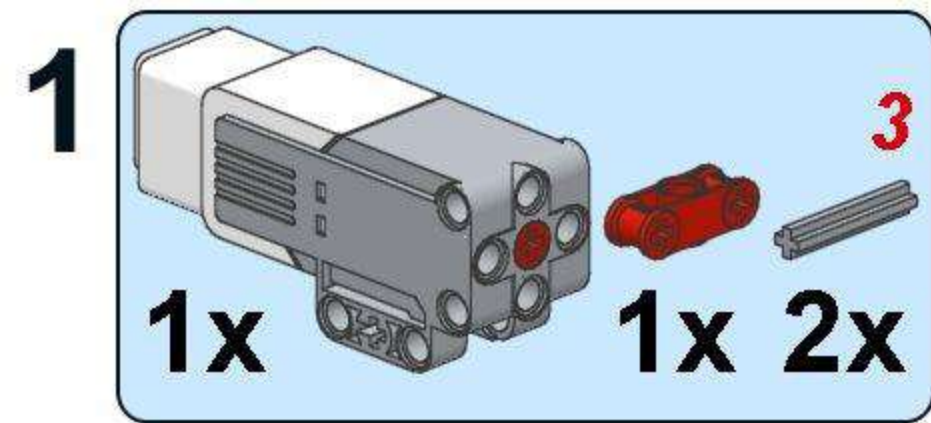
4x  2x  
1x  4x  1x  4x 

1 
2 
3 

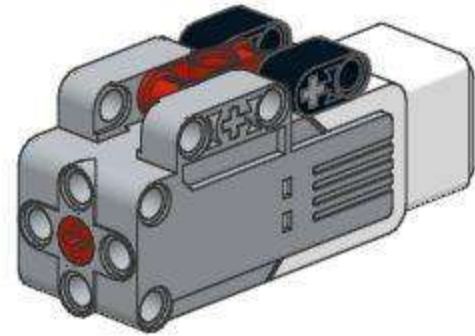


22

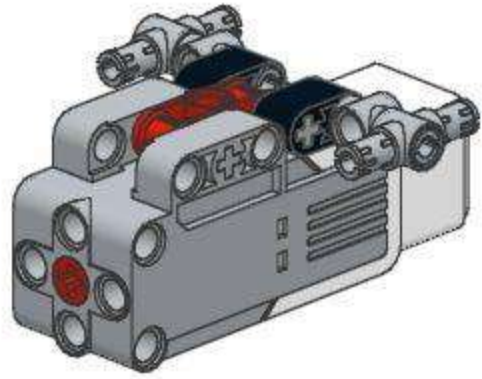




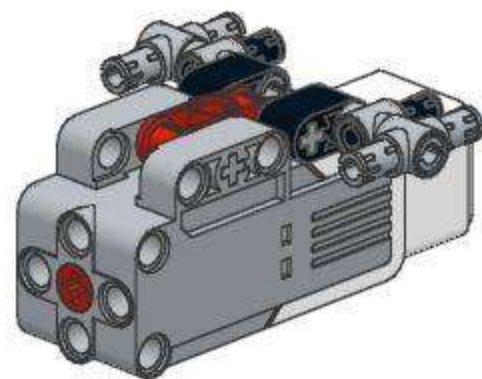
2
2x



3
4x



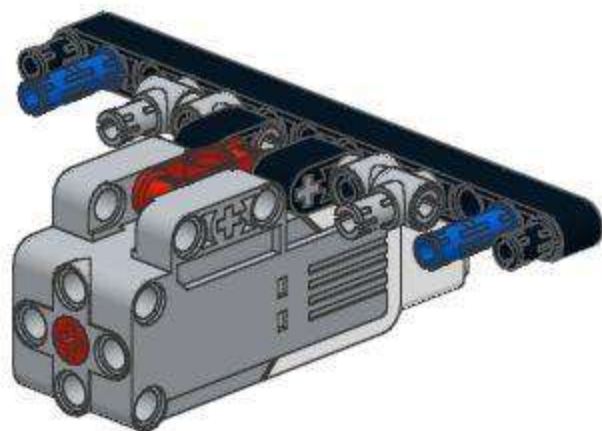
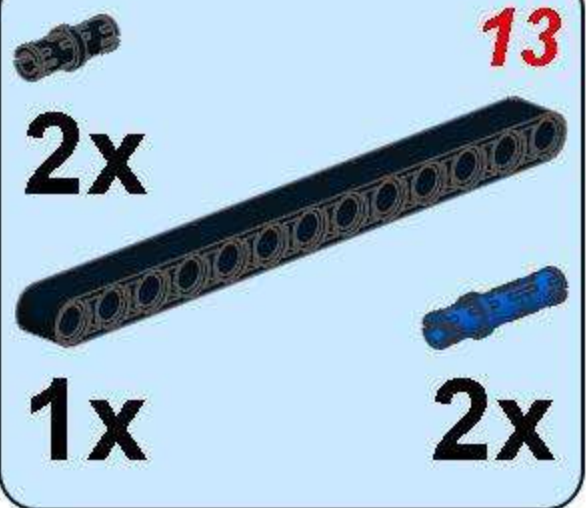
4
2x



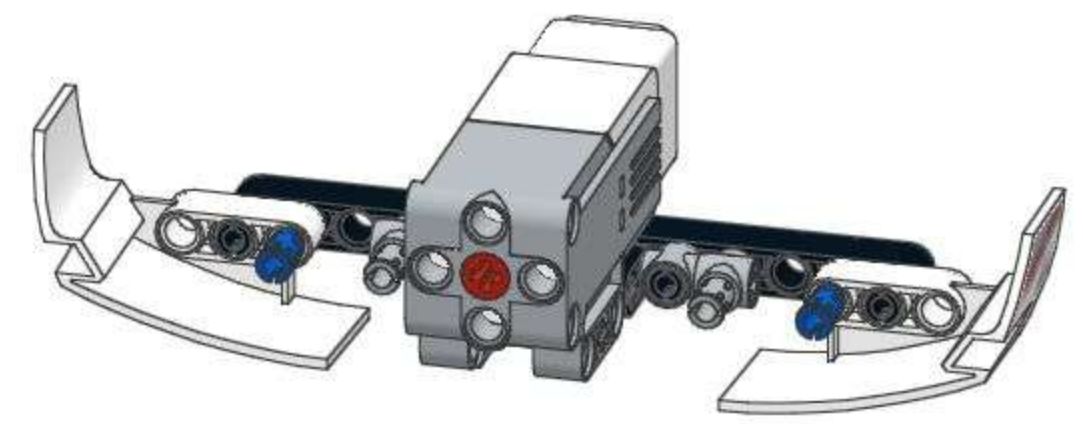
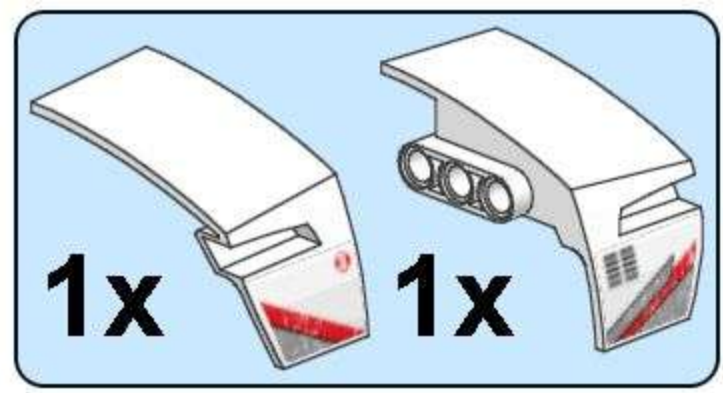
5

2x **13**

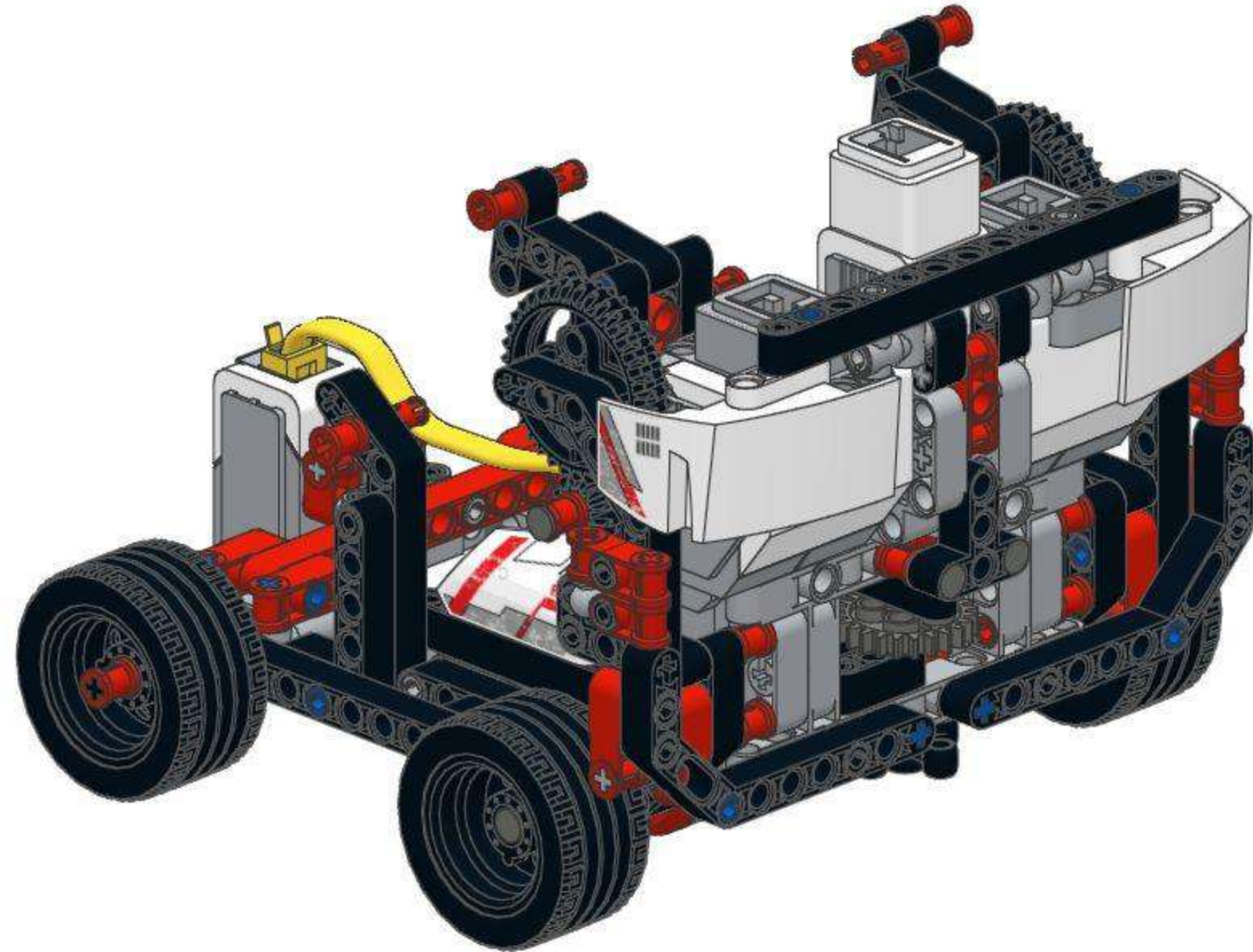
1x 2x



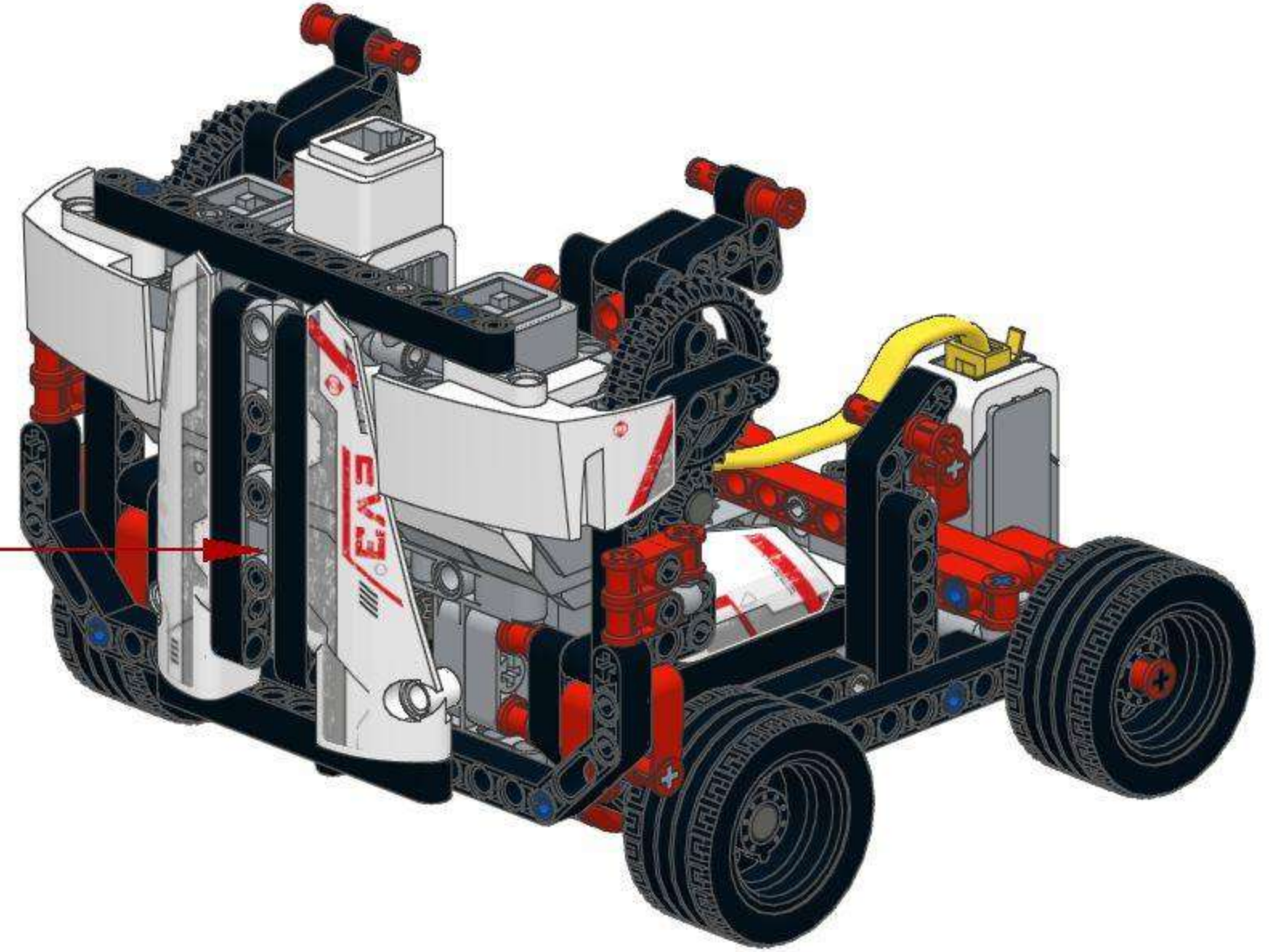
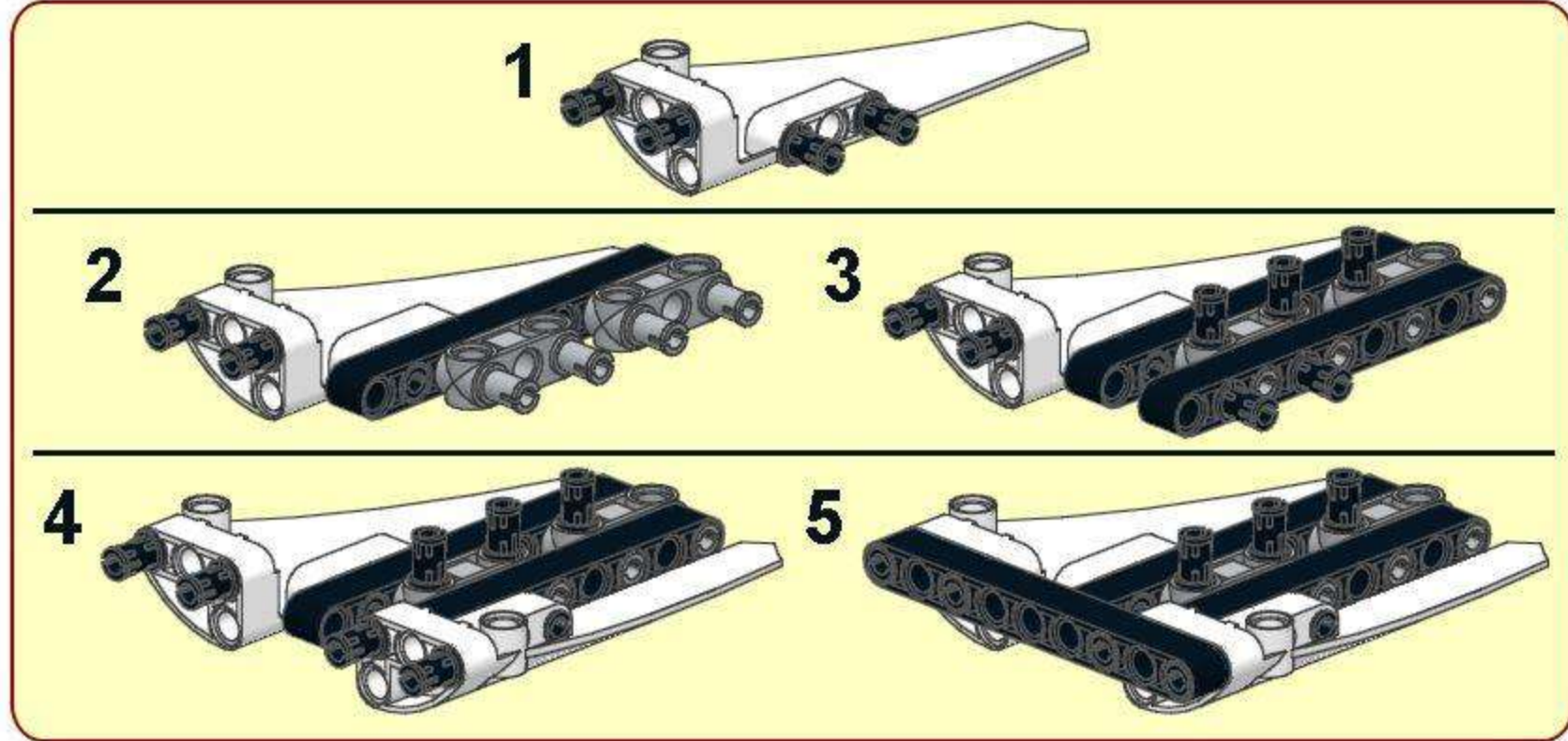
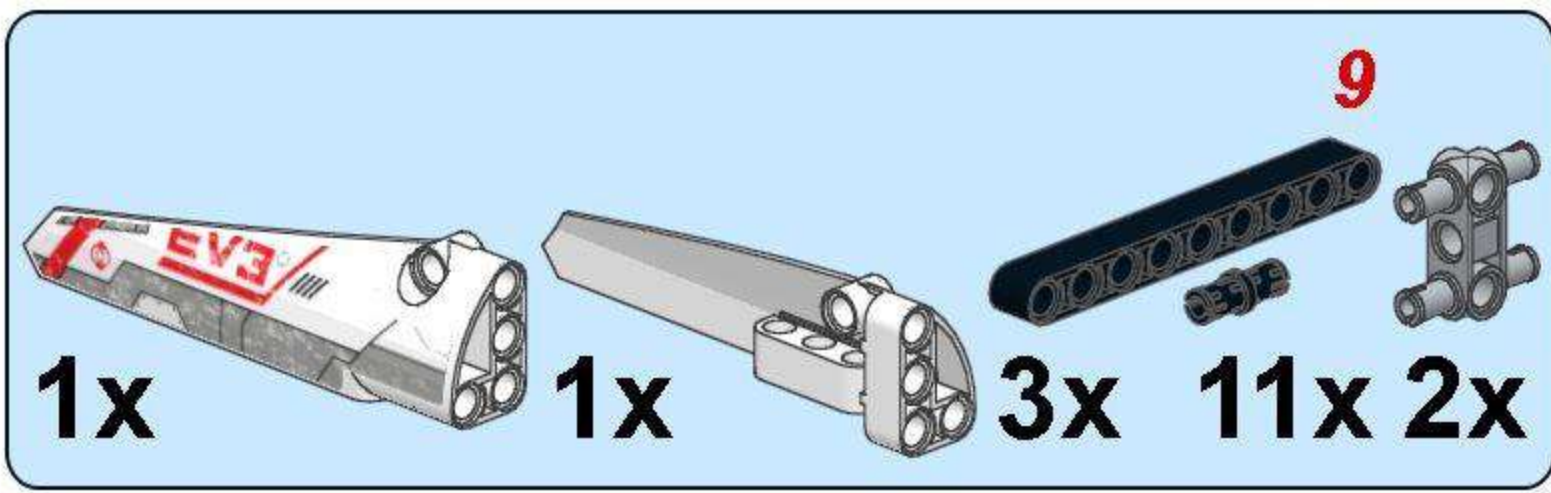
6



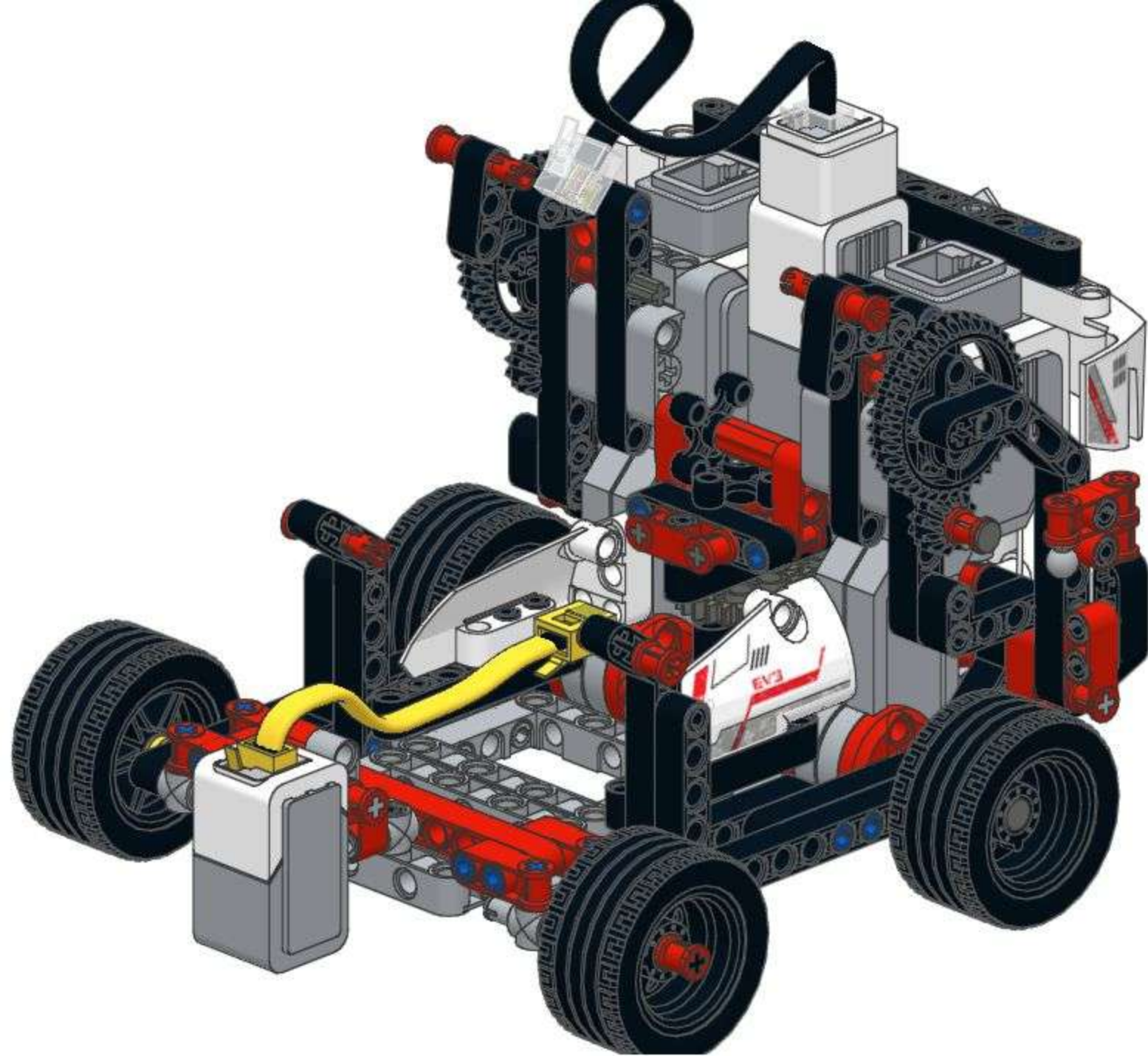
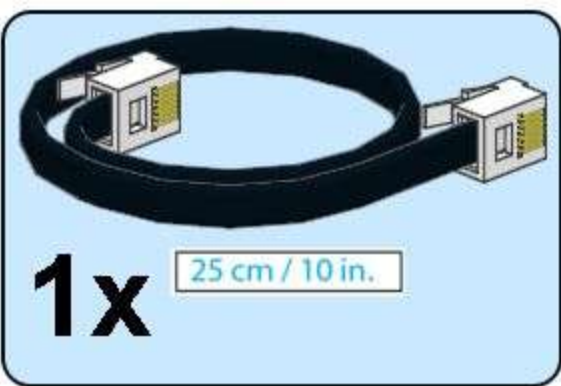
23



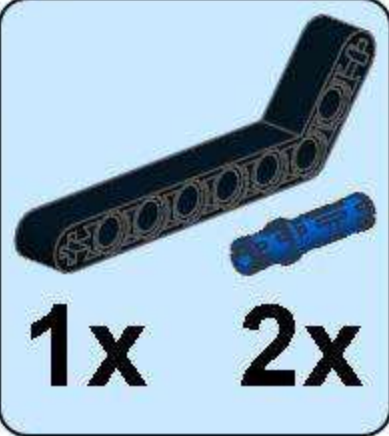
24





25



1



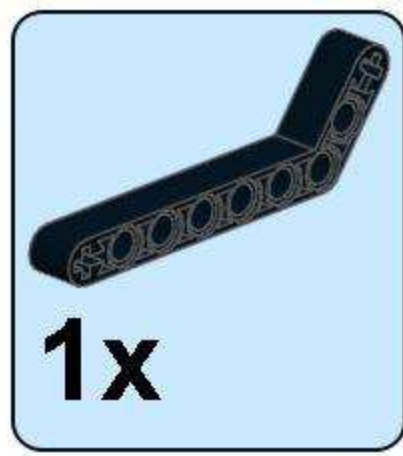
2



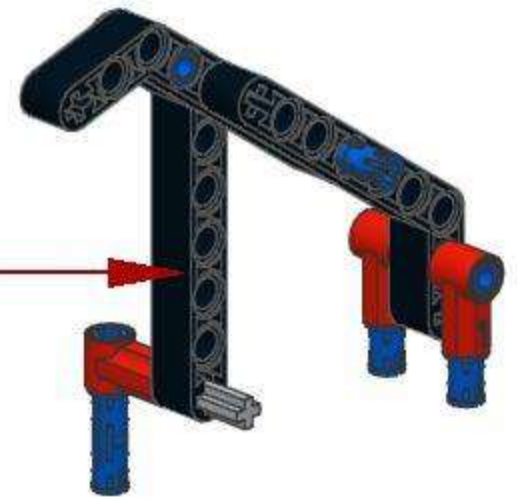
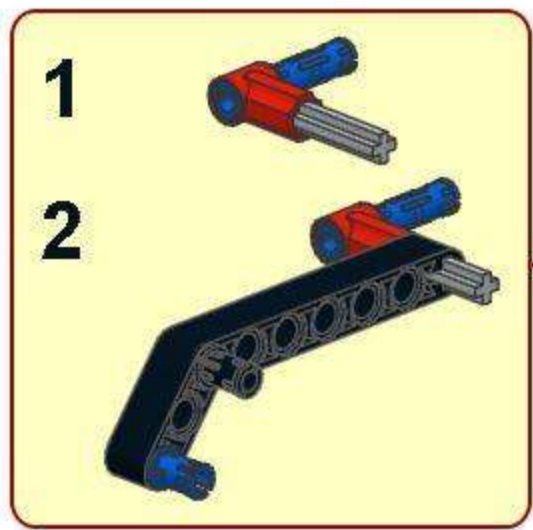
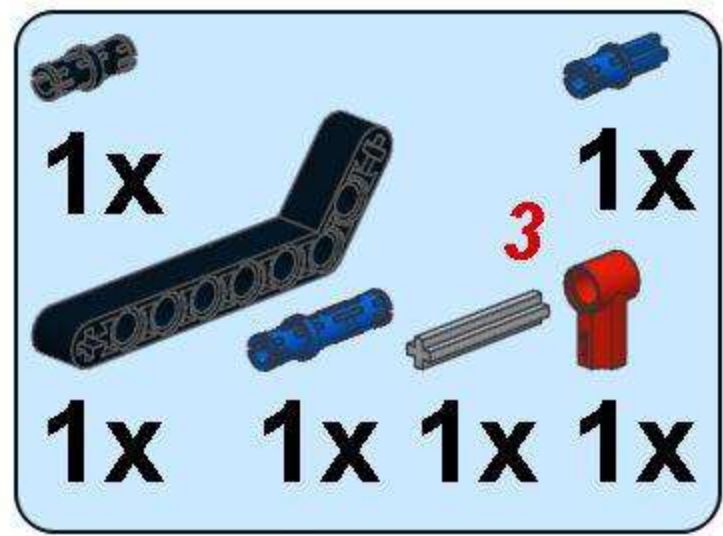
2x 2x



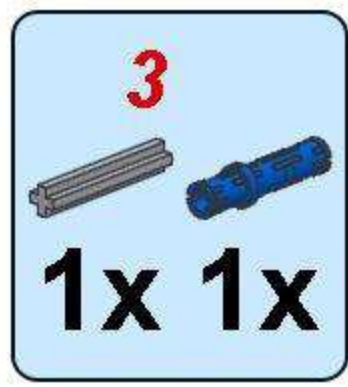
3



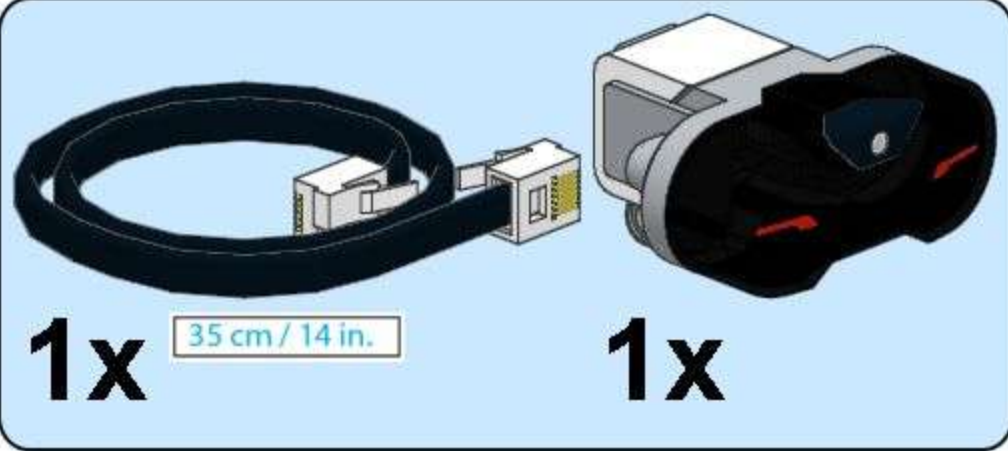
4



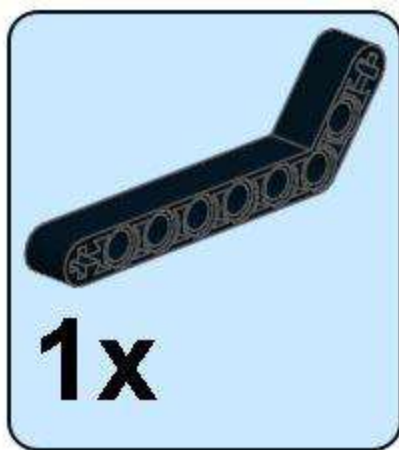
5



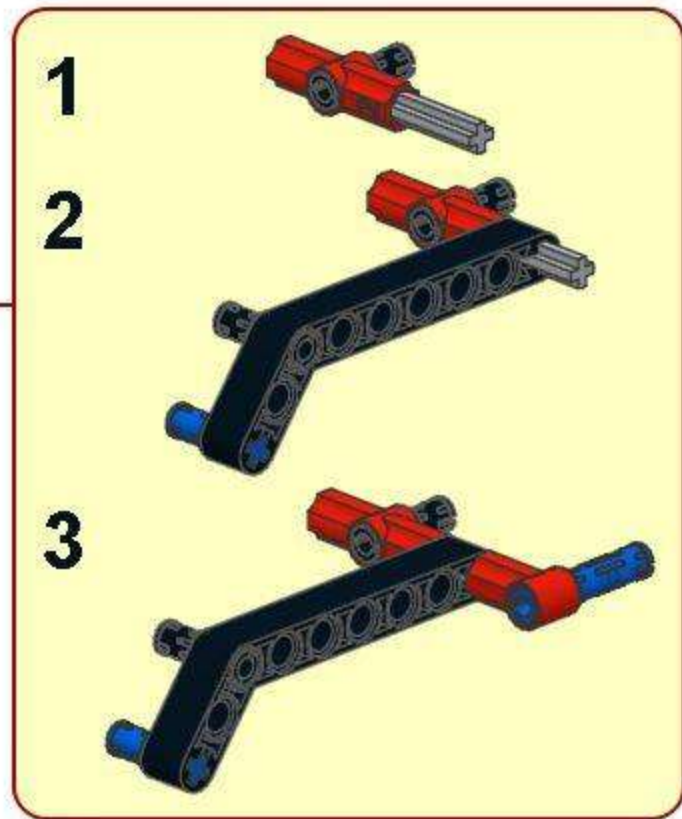
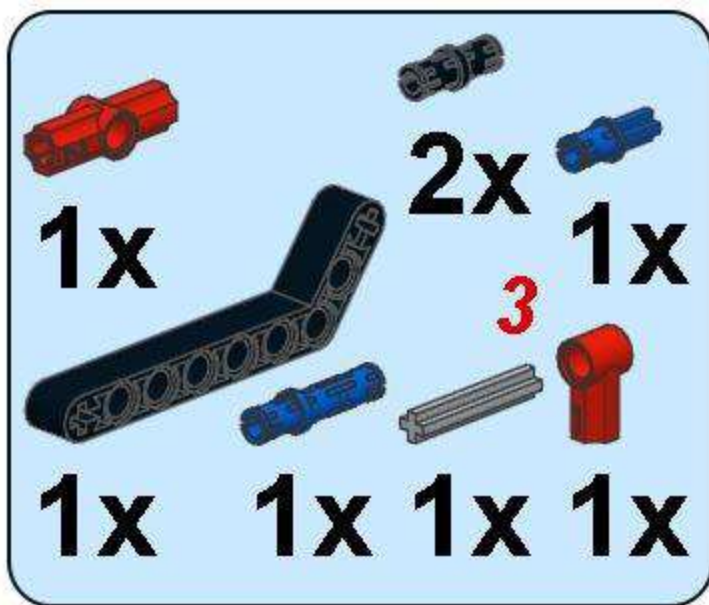
6



7



8



9

13

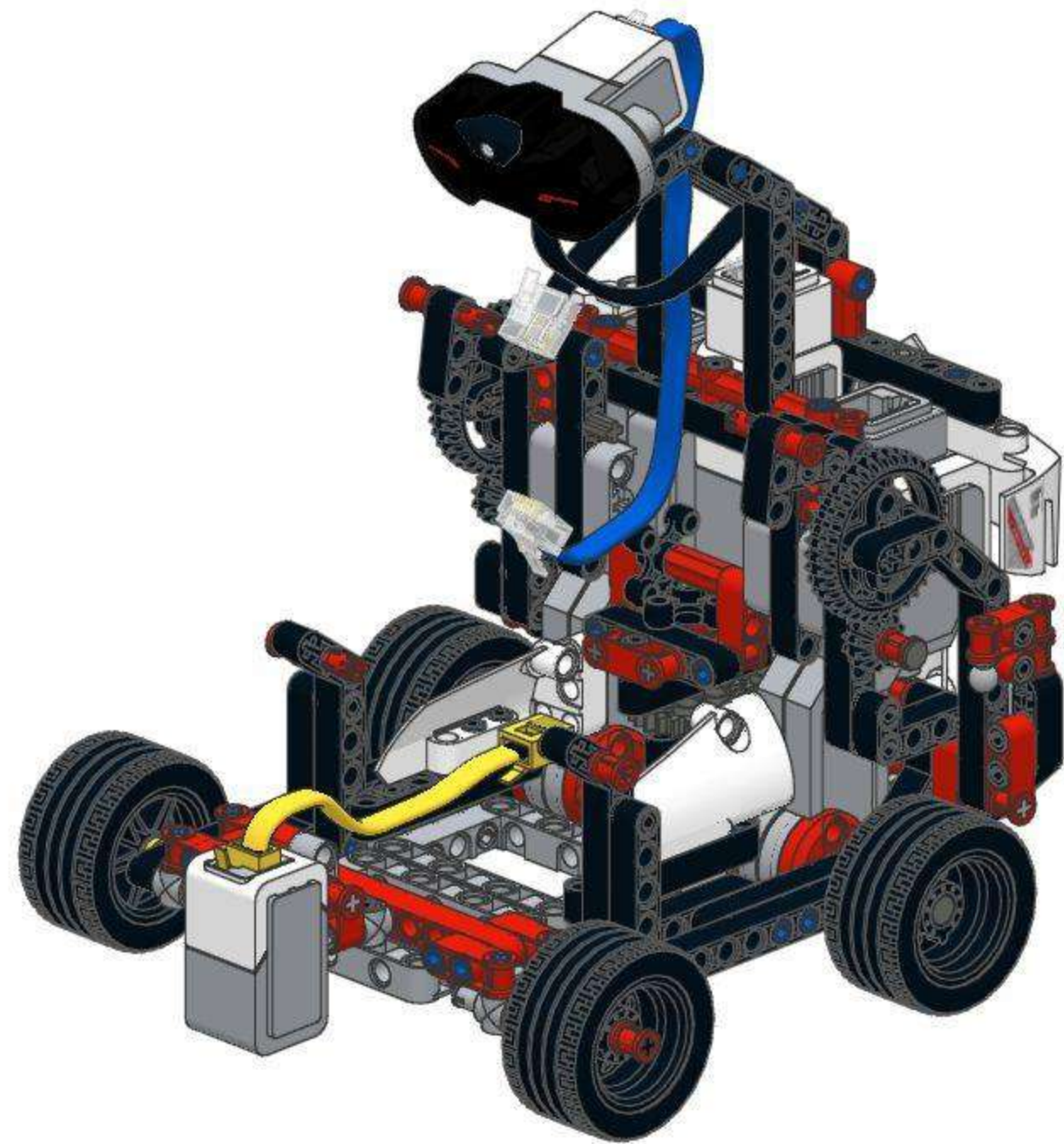


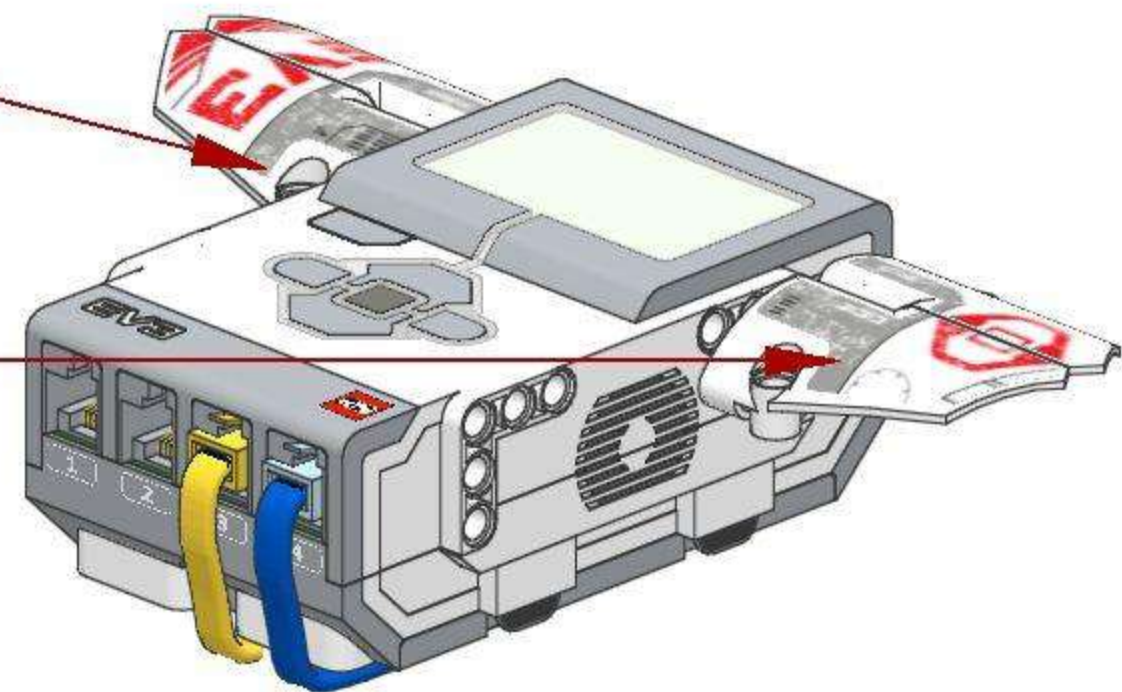
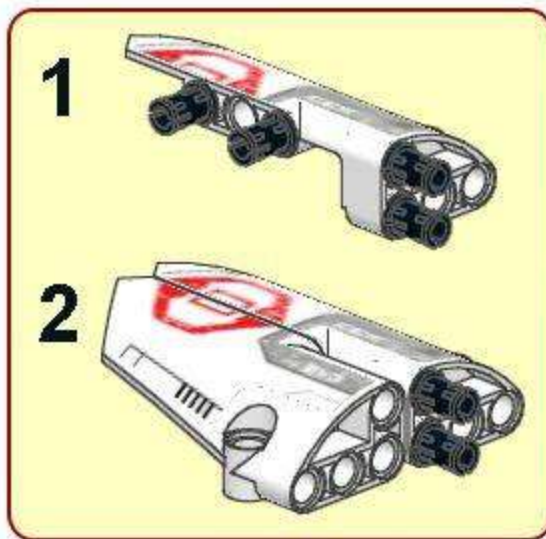
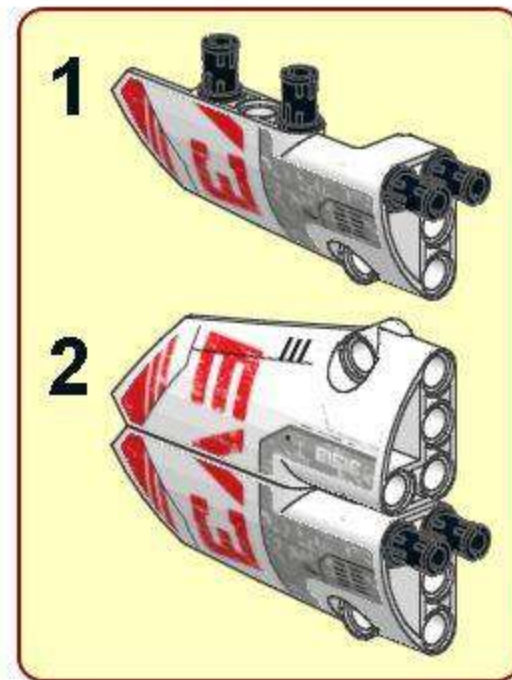
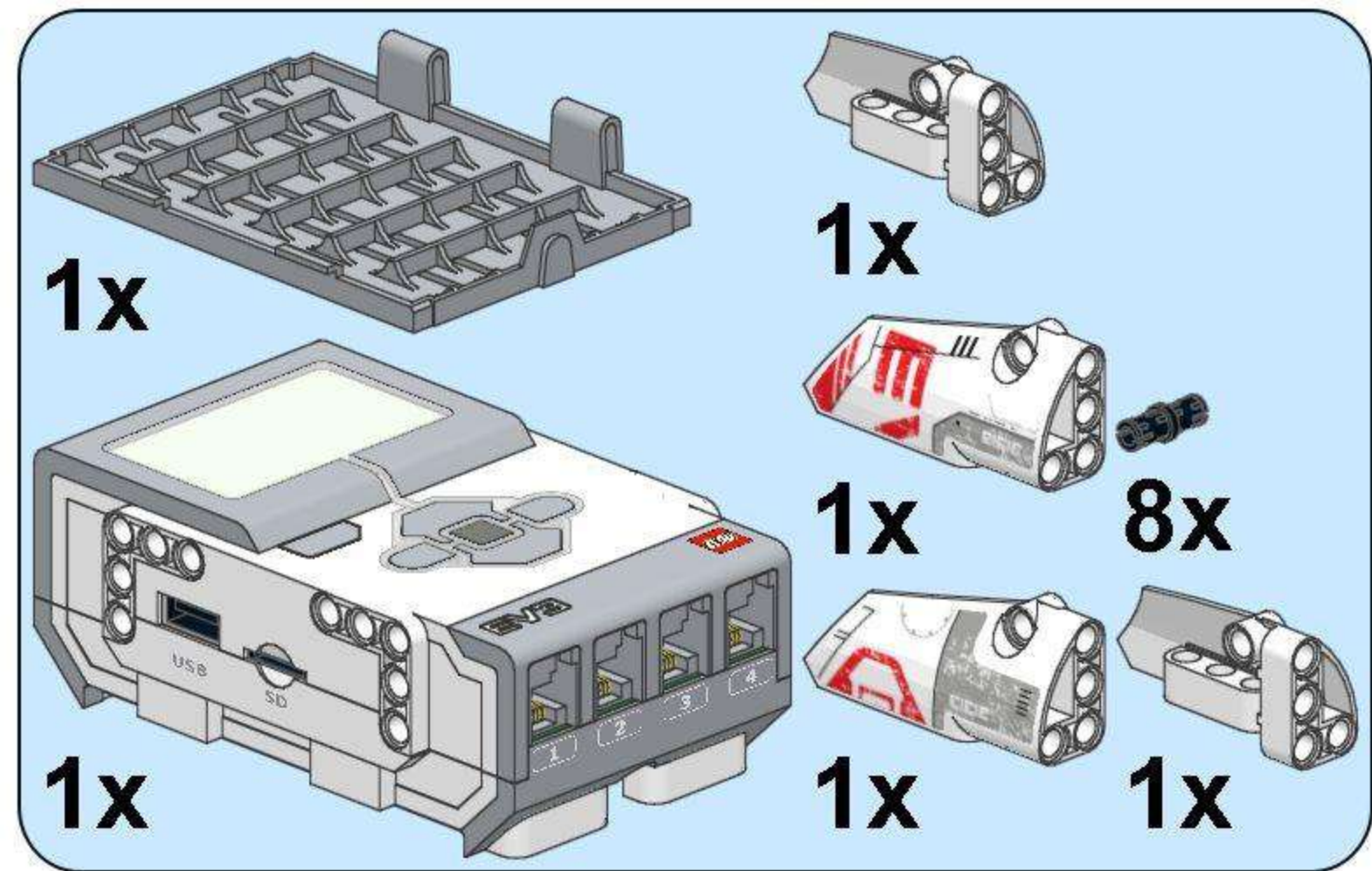
1x

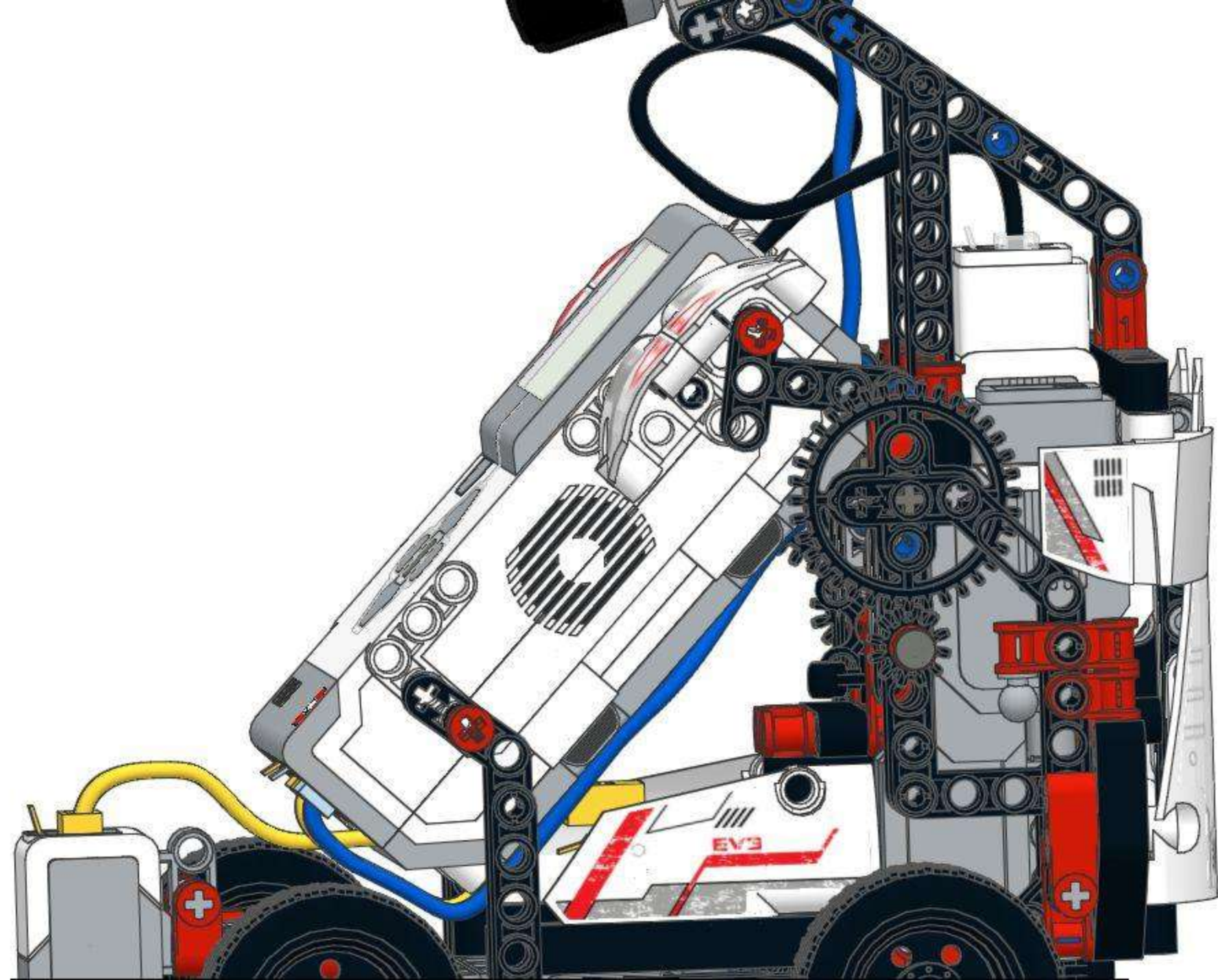
2x



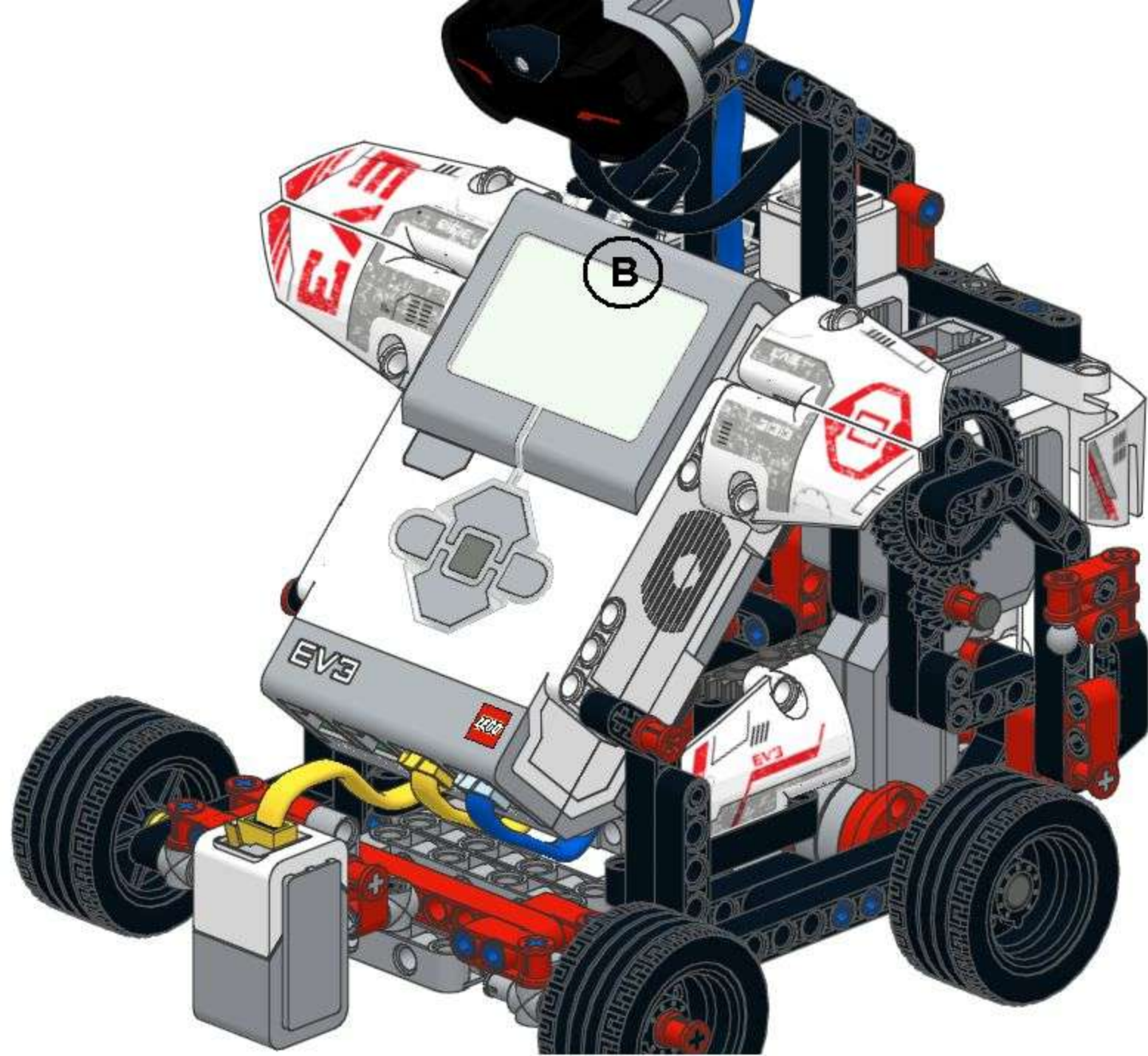
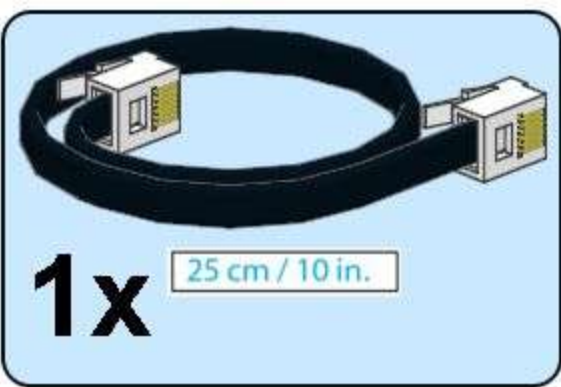
26



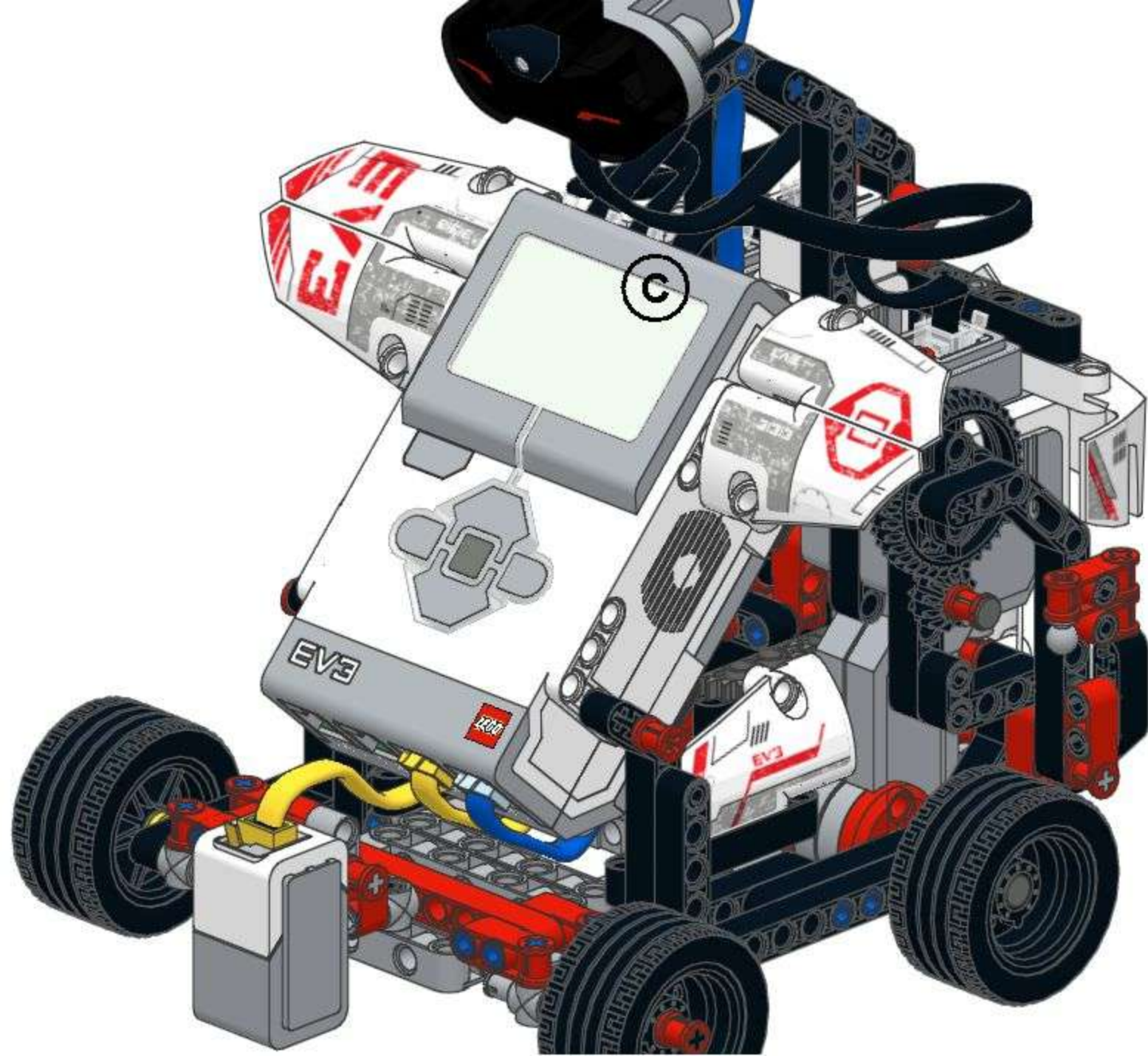
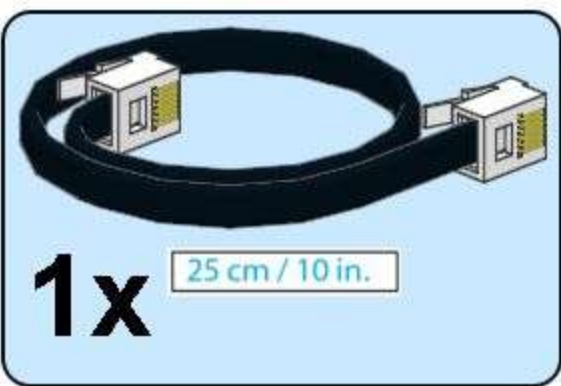




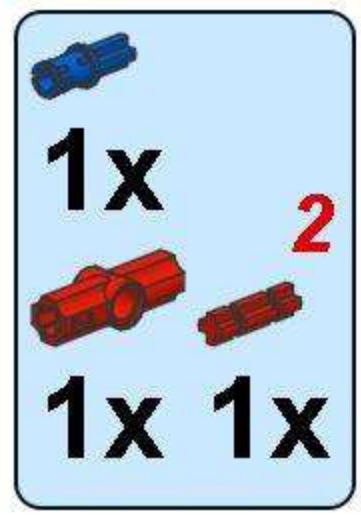
28



29



1



1x
1x 2
1x 1x

This block contains a parts list for step 1. It features a blue rounded rectangle with a black border. Inside, there are three rows of text and images. The first row shows a blue Technic pin with the text '1x' below it. The second row shows a red Technic axle with a red Technic bush on one end, with the text '1x' below it and a red '2' to its right. The third row shows a red Technic axle with a red Technic bush on one end, with the text '1x' below it.



2



3

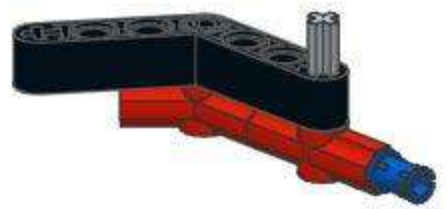
3



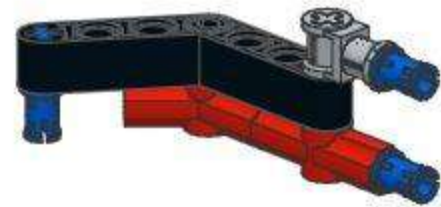
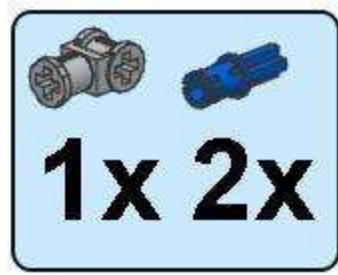
1x



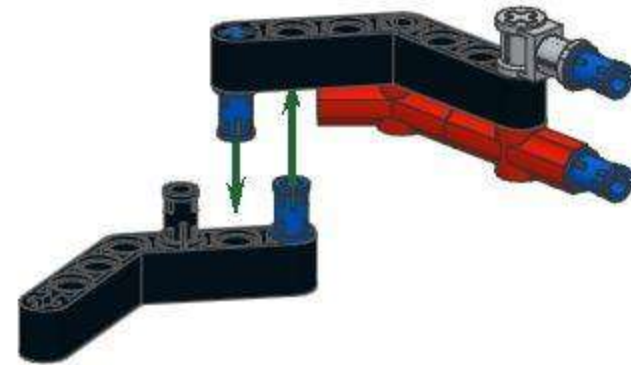
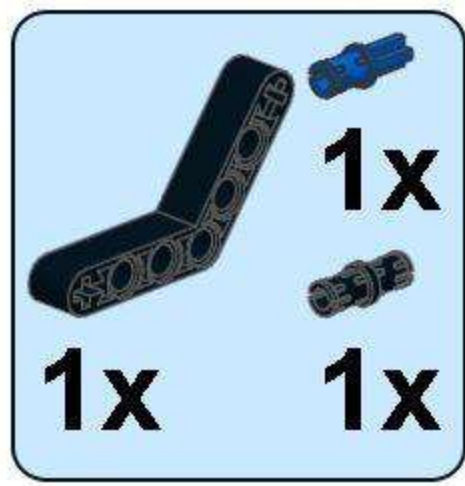
1x



4

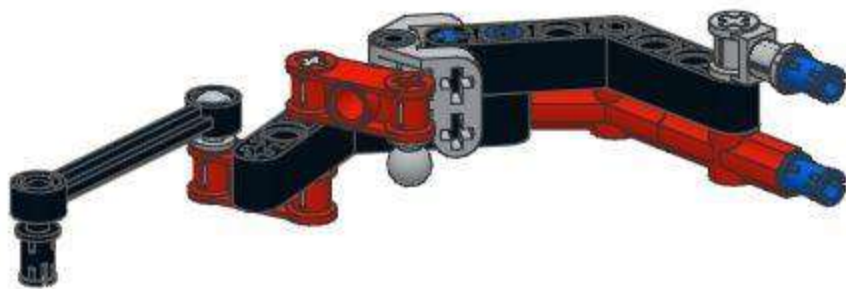
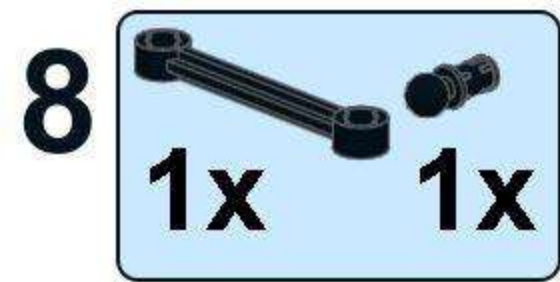


5



6
1x

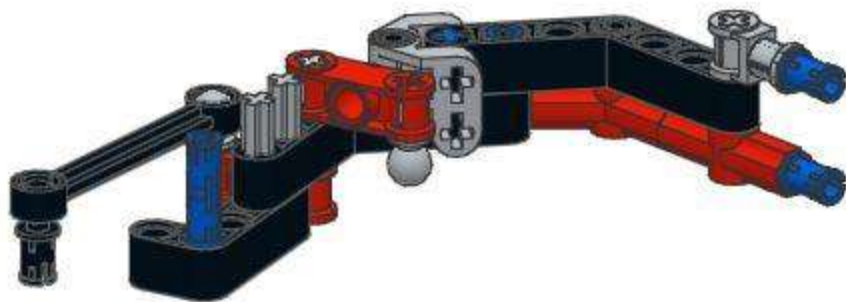




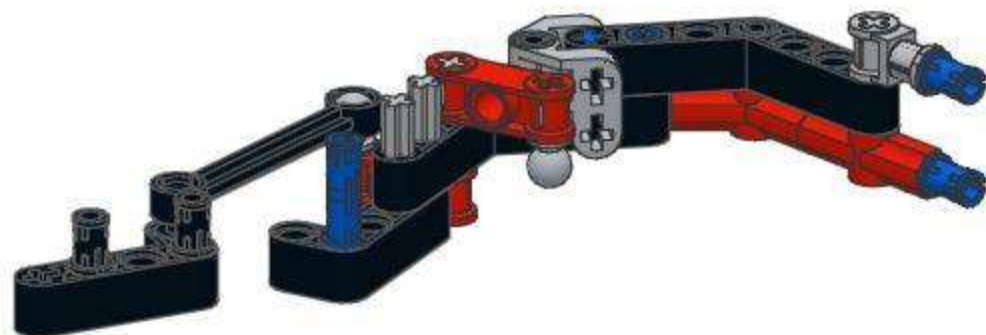
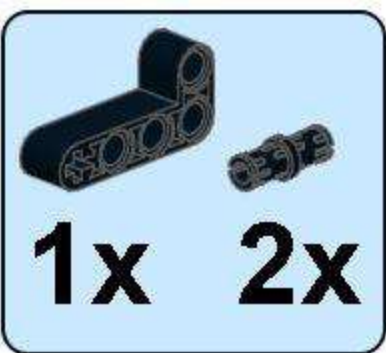
9



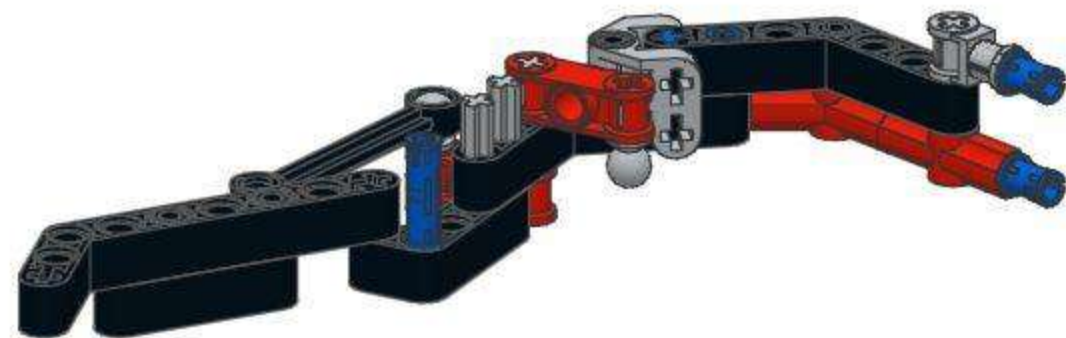
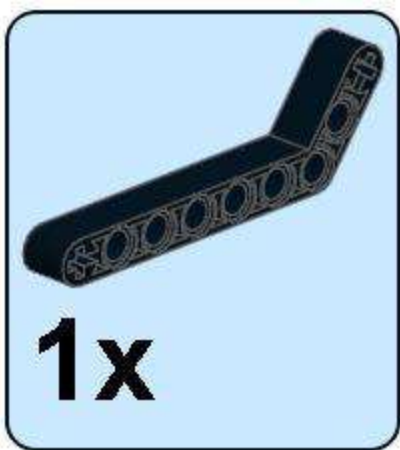
1x 2x 1x



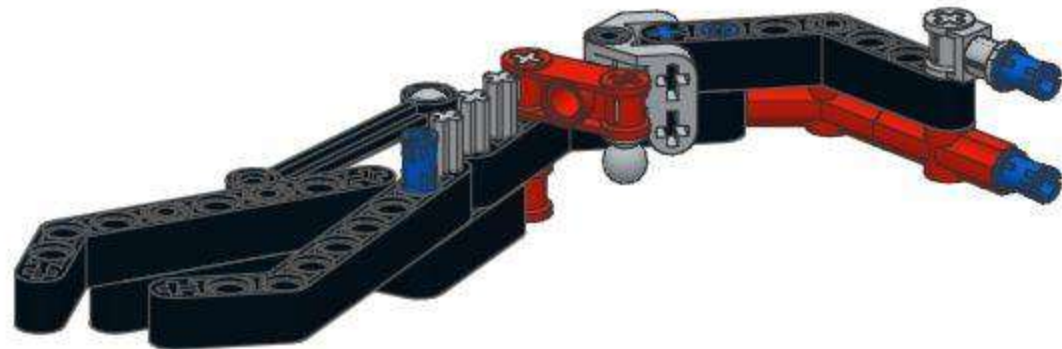
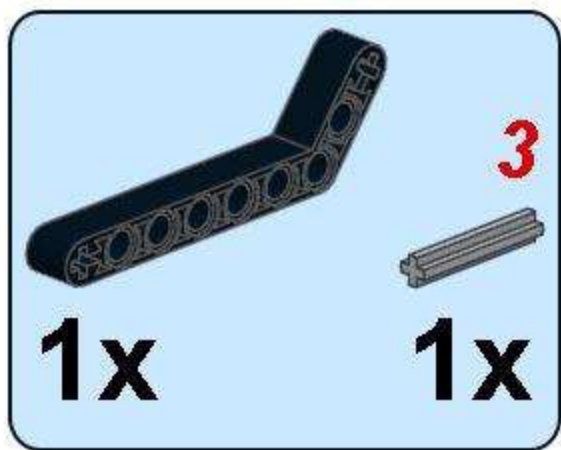
10



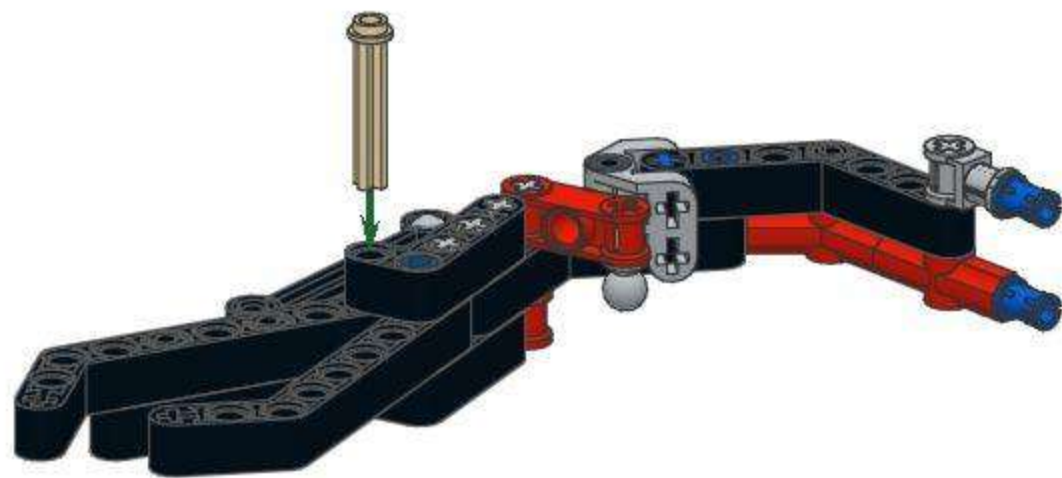
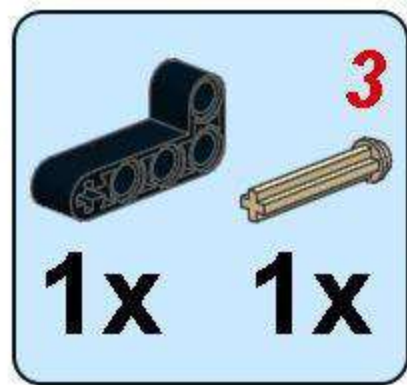
11



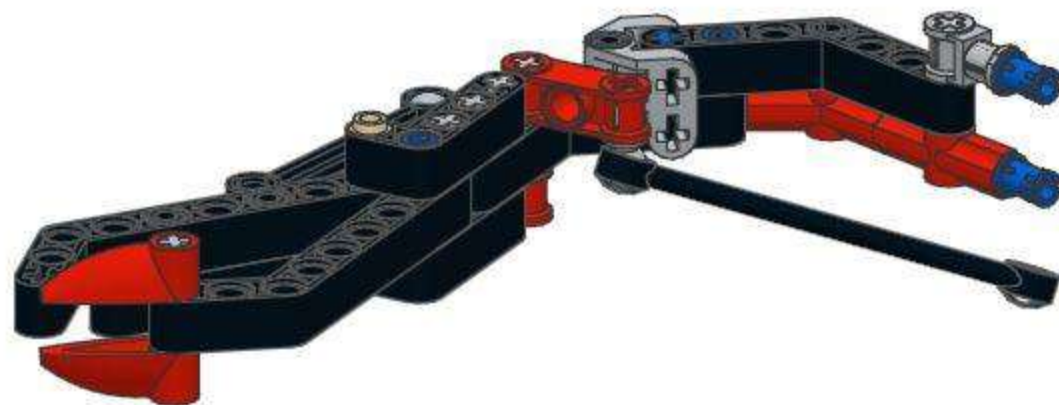
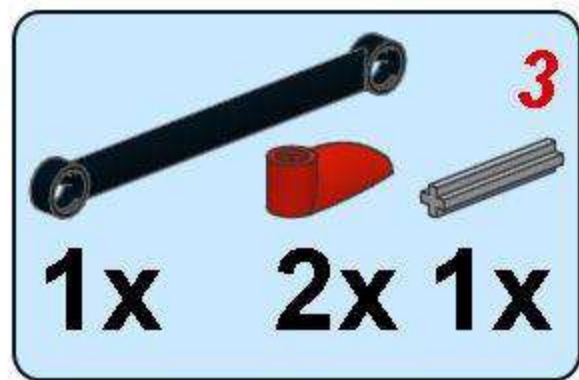
12



13



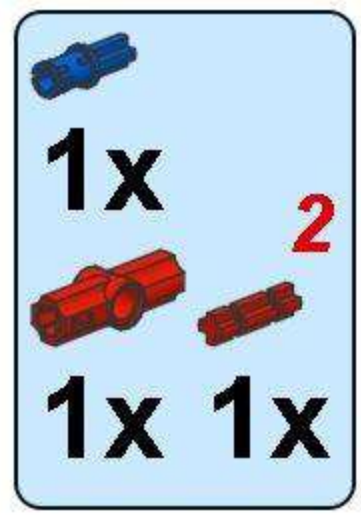
14



30



1



1x
1x 2
1x 1x

A light blue rounded square box containing a parts list. At the top left is a small blue cylindrical piece. Below it is the text '1x'. To the right of '1x' is a red cylindrical piece with a central hole. Below that is the text '1x'. To the right of '1x' is a red cylindrical piece with a central hole and a small protrusion on one end. Above this piece is a red number '2'. Below this piece is the text '1x'.



2



3

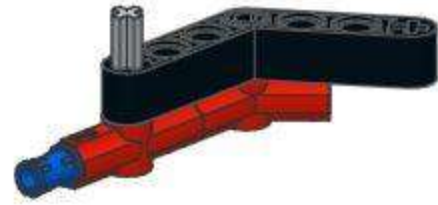
3



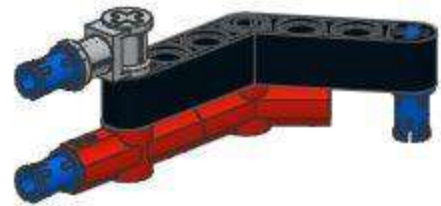
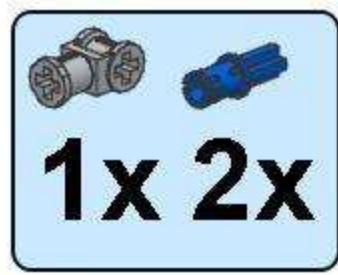
1x



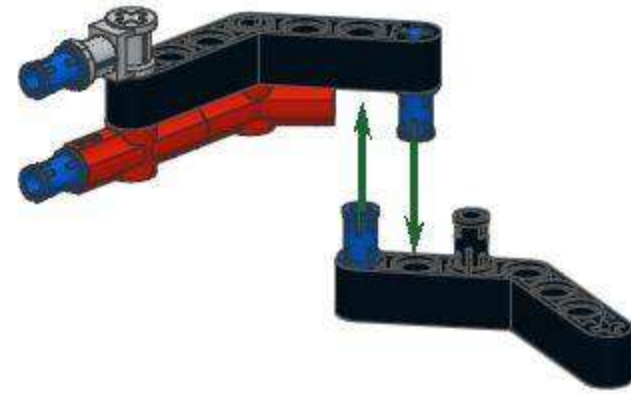
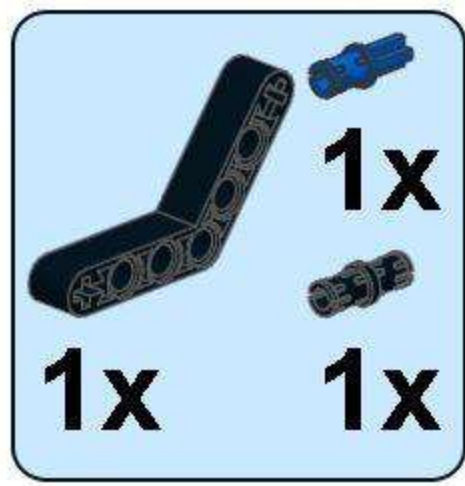
1x









4

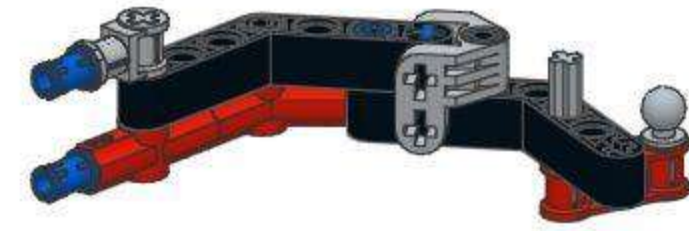


5





6

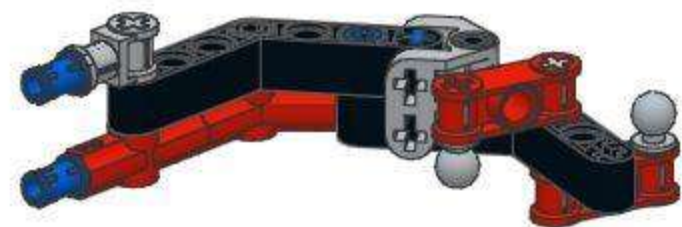
	
1x	1x
	
1x	3
	
1x	1x

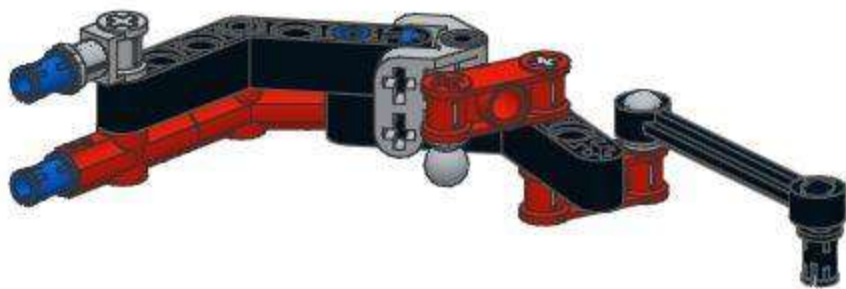
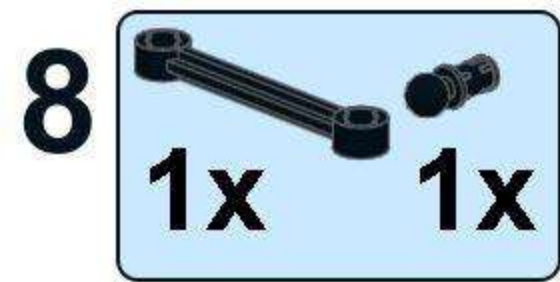


7

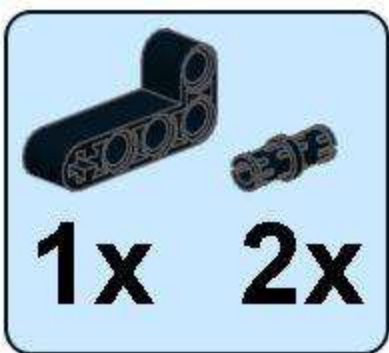


1x 1x

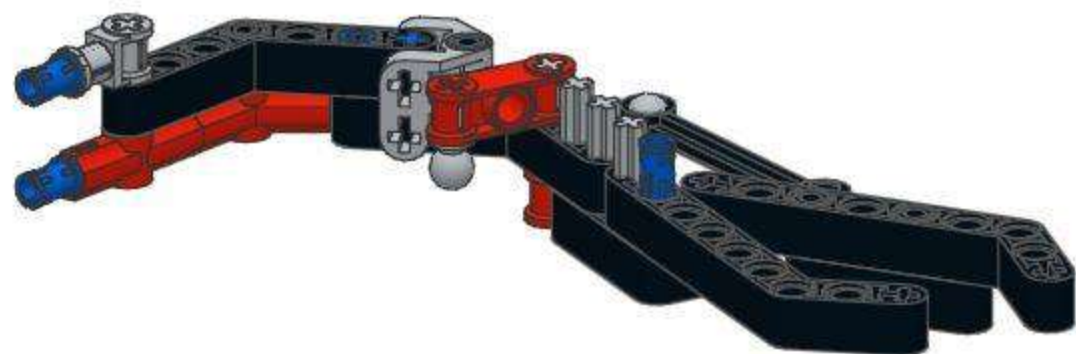
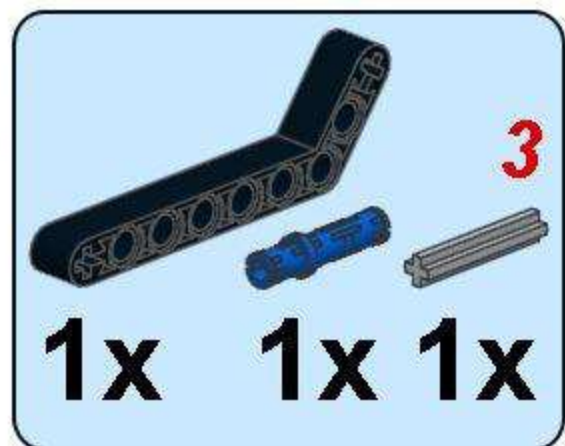




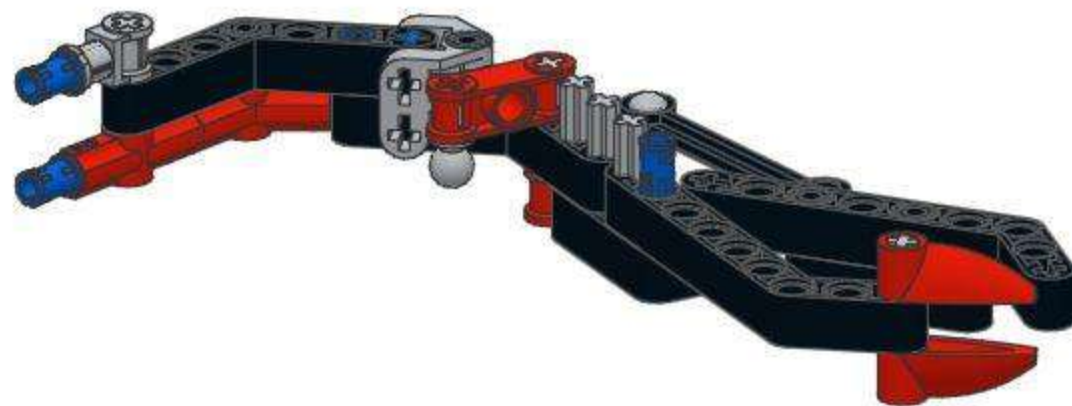
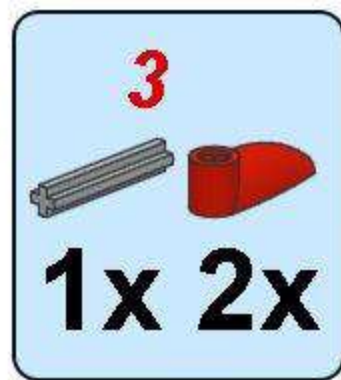
9



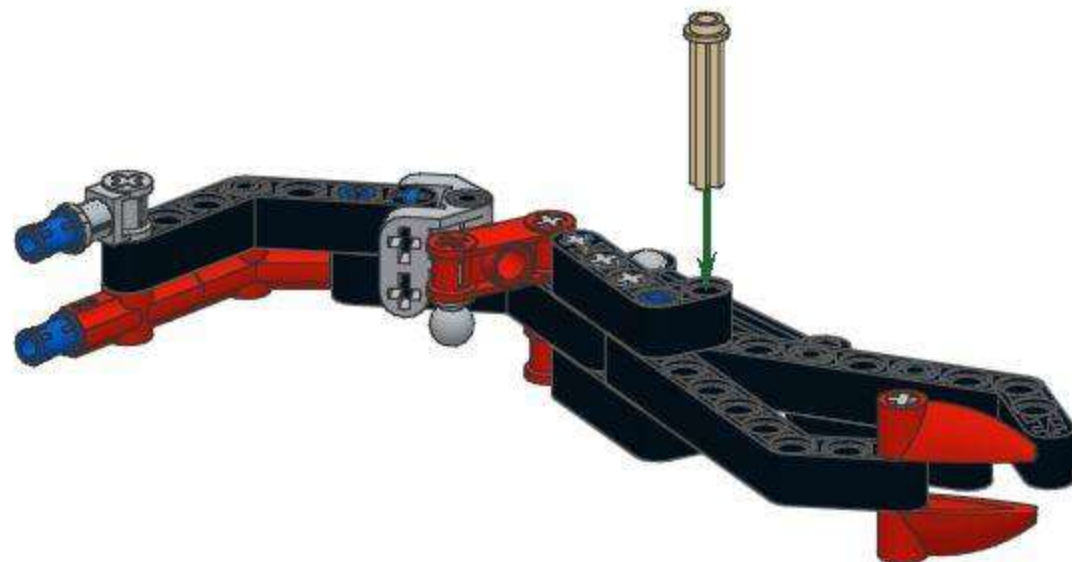
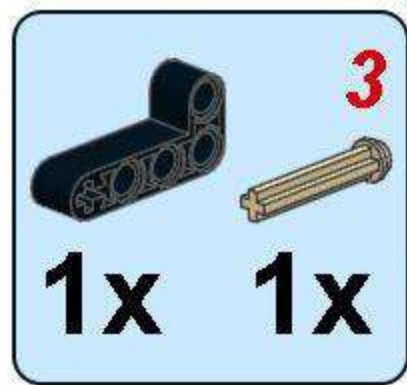
12



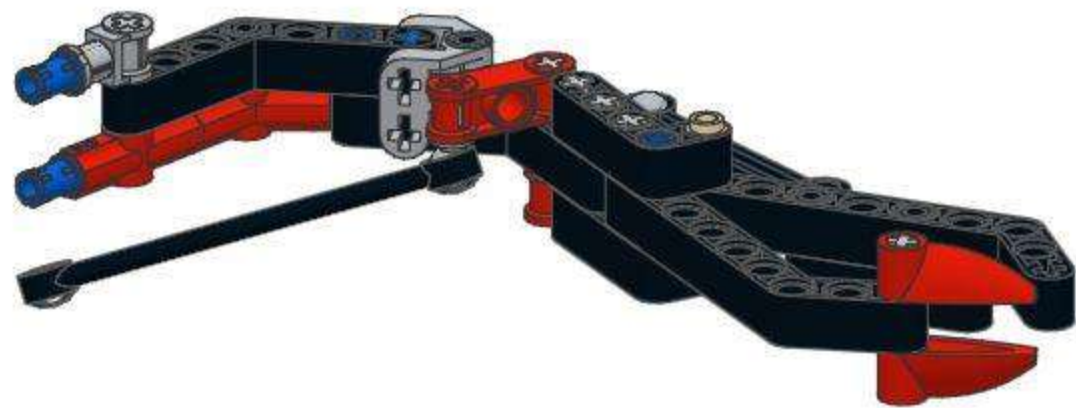
13



14



15



31



