

**LEGO** MINDSTORMS<sup>™</sup>  
EV3

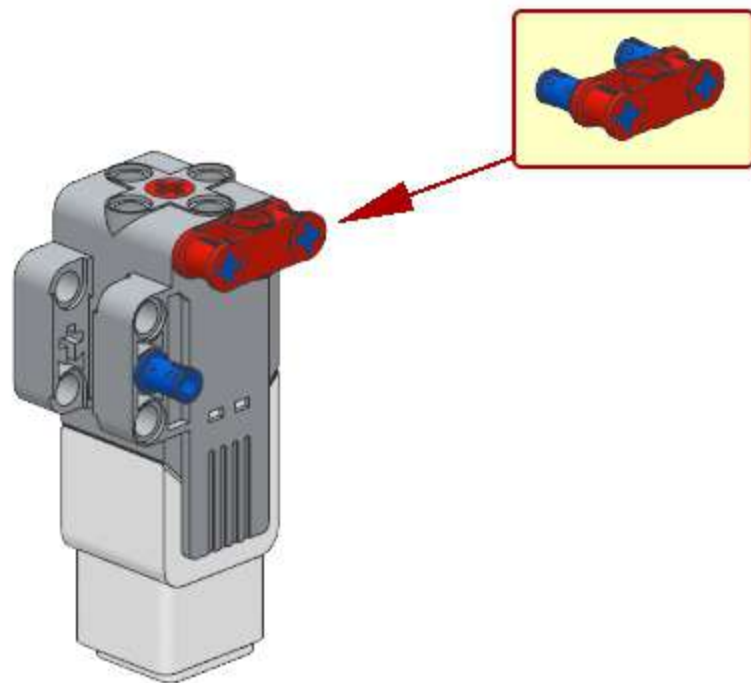
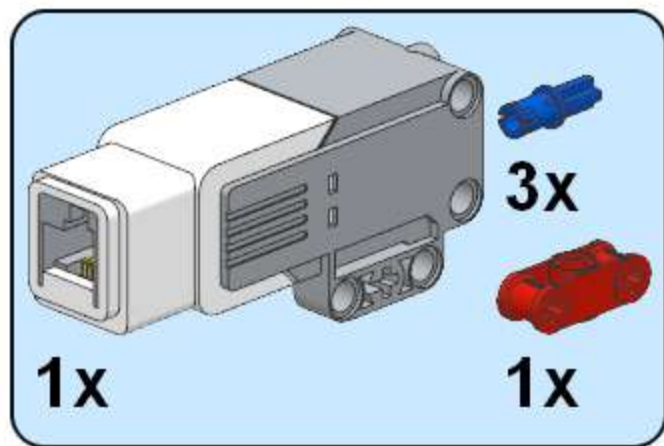


# KRAZ3

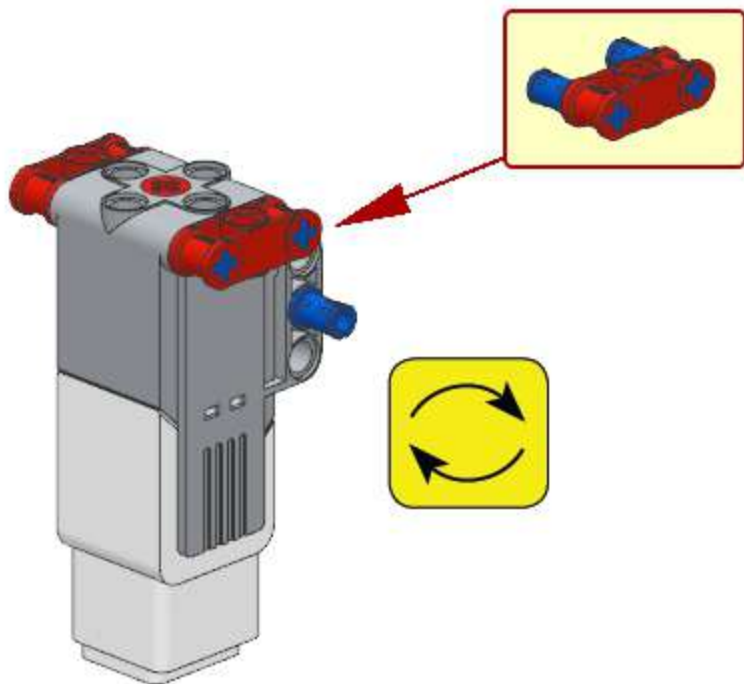
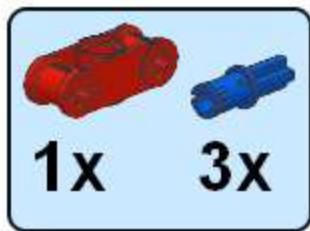
Model Design  
and Programming Instructions  
by: **Marc-André Bazergui**

Building Instructions  
by: **Philippe "Philo" Hurbain**

1



2



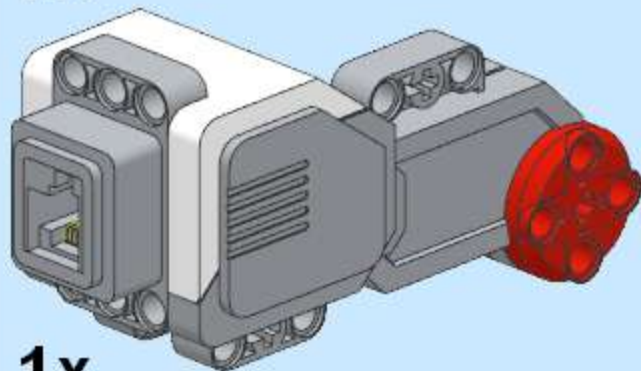
1



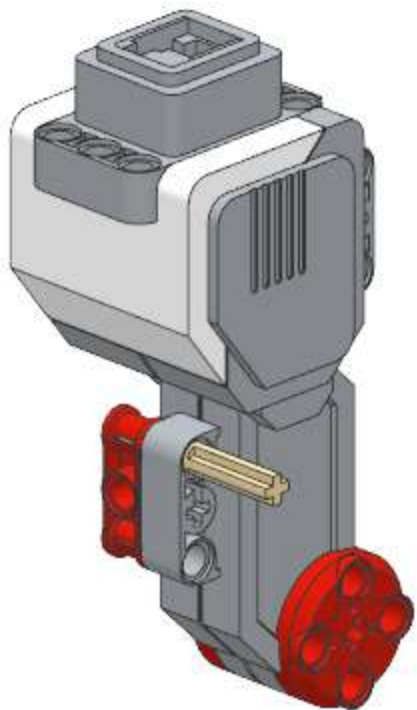
1x 4



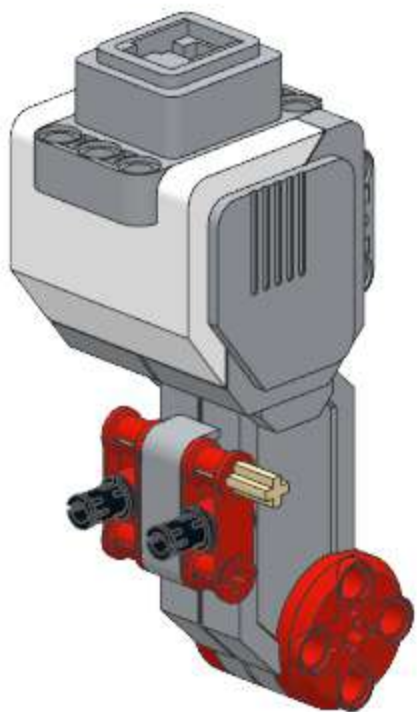
1x



1x

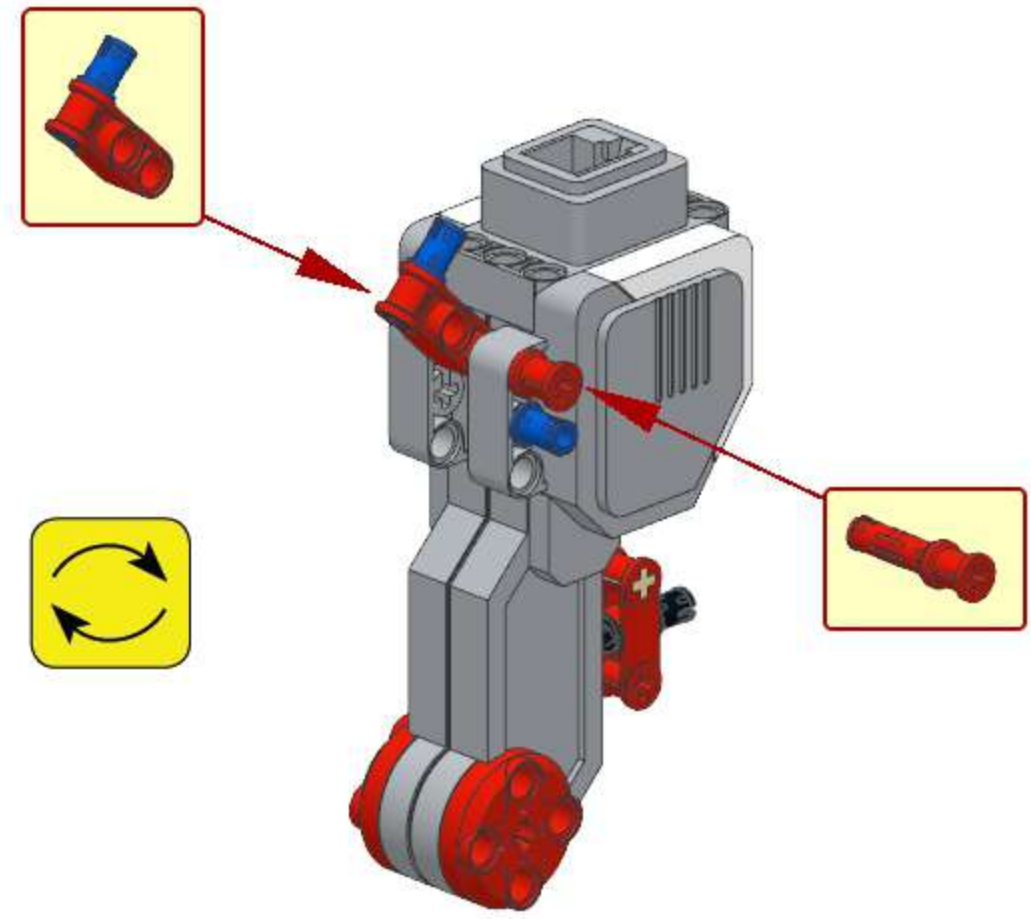


2

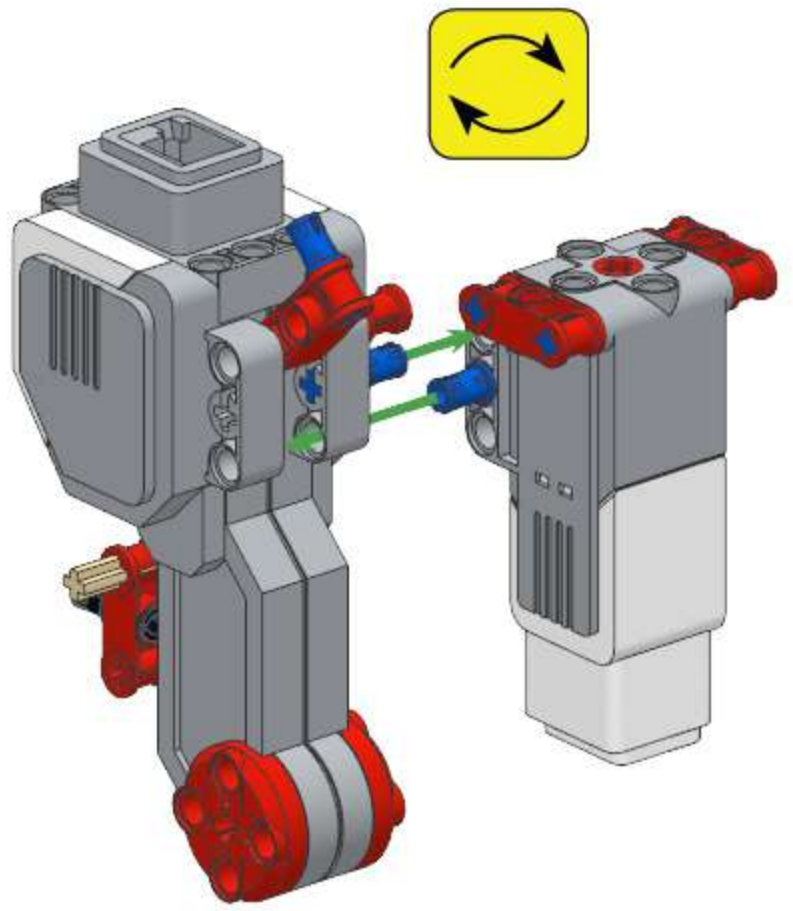


3

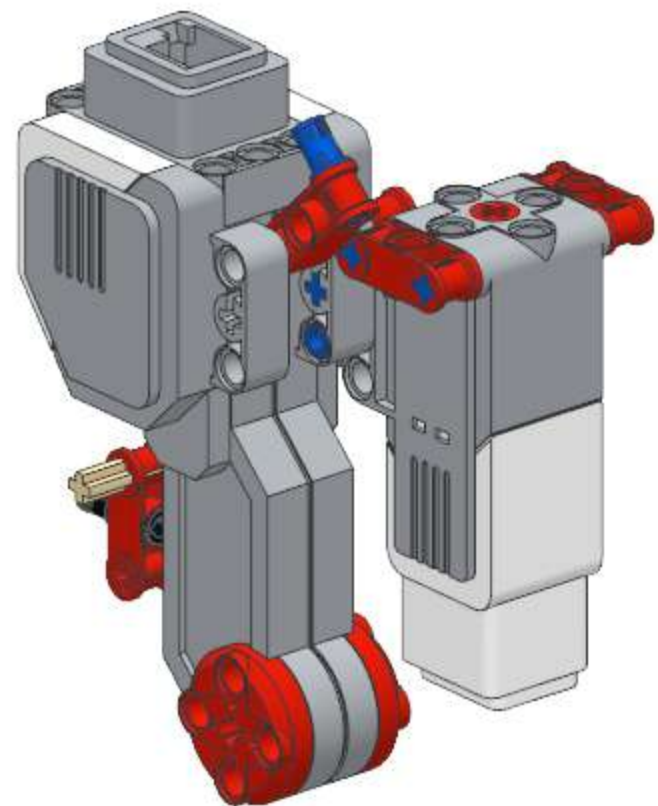
- 2x 
- 1x 
- 1x 



1



2





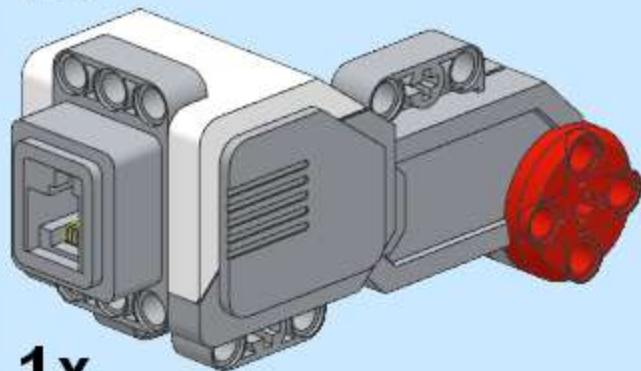
1



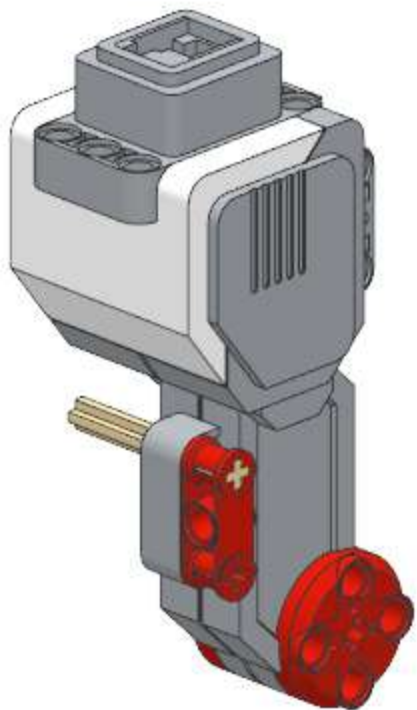
1x 4



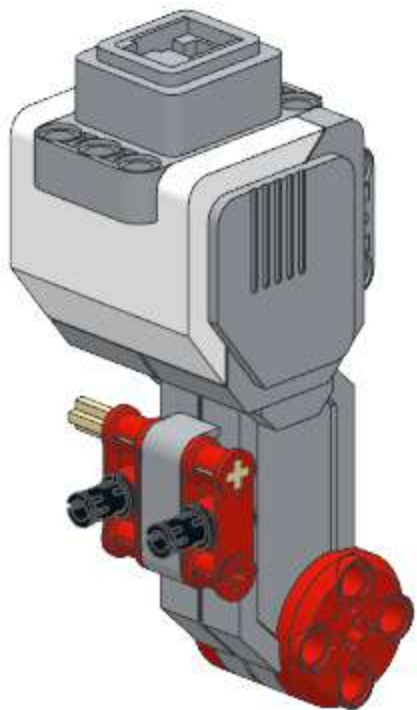
1x



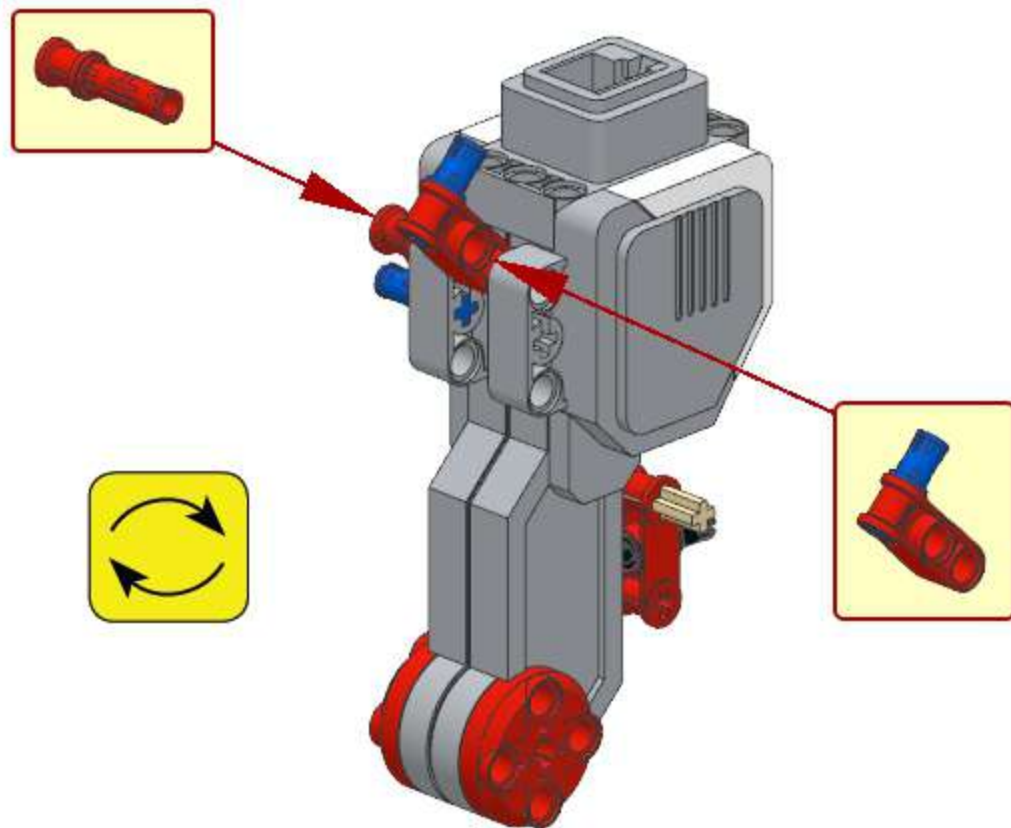
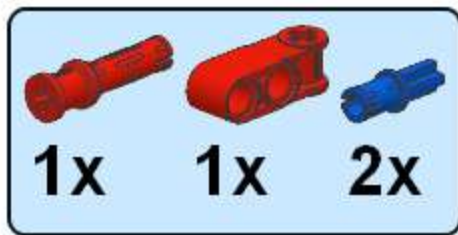
1x



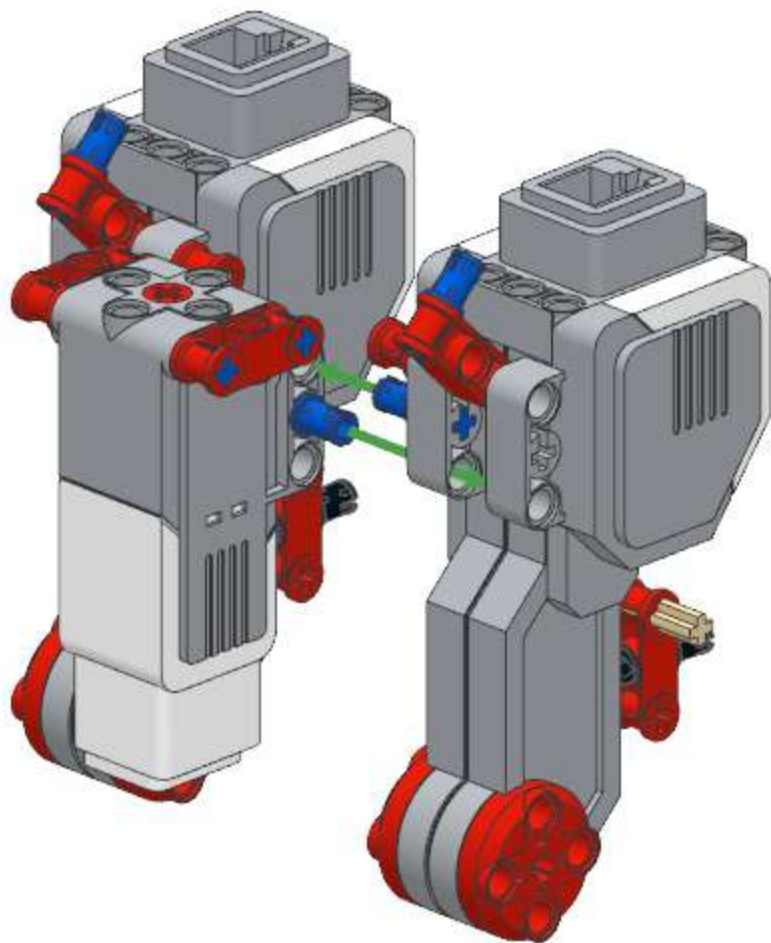
2



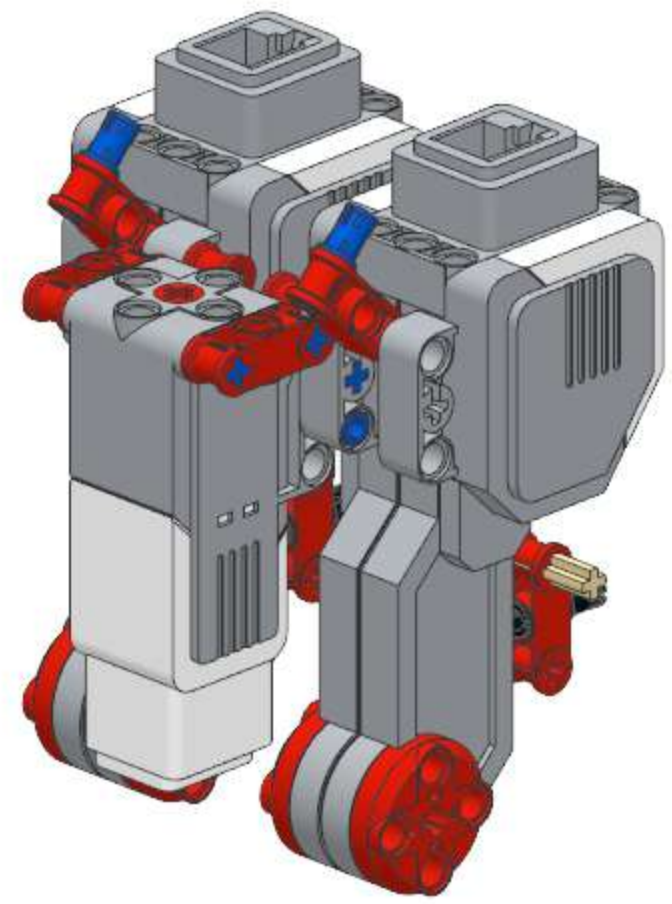
3



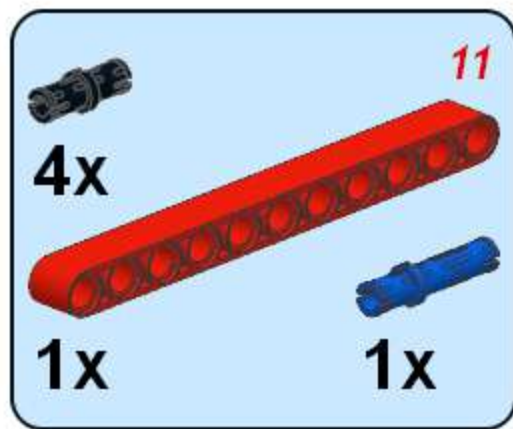
3



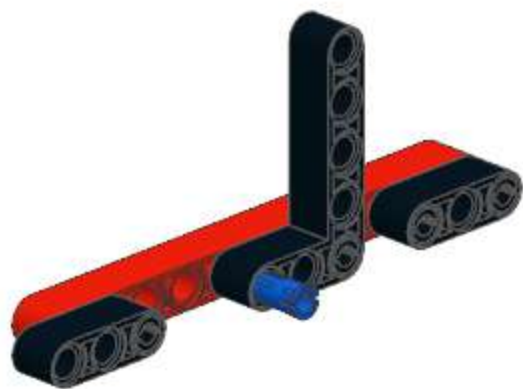
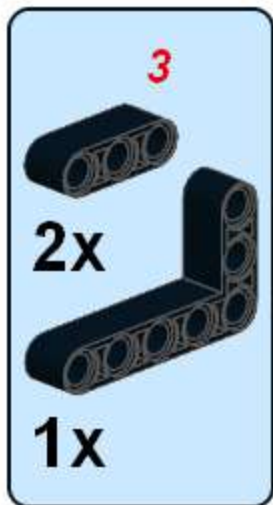
4



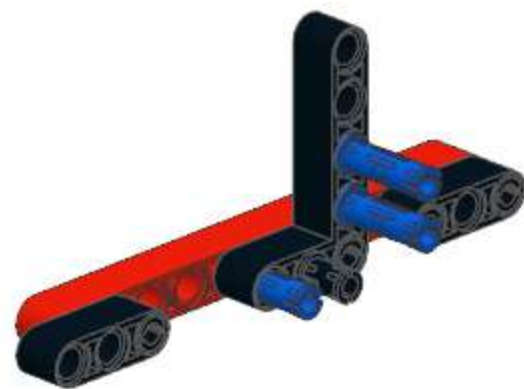
1



2

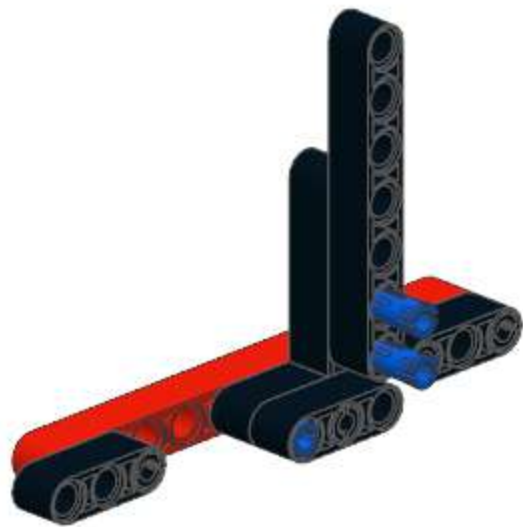
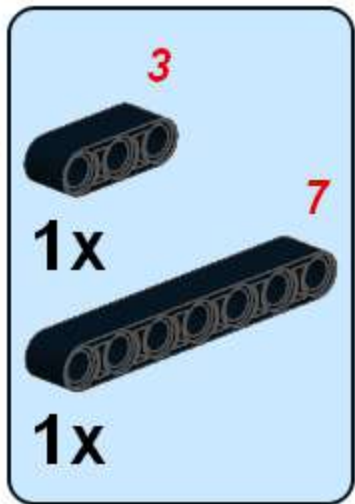


3

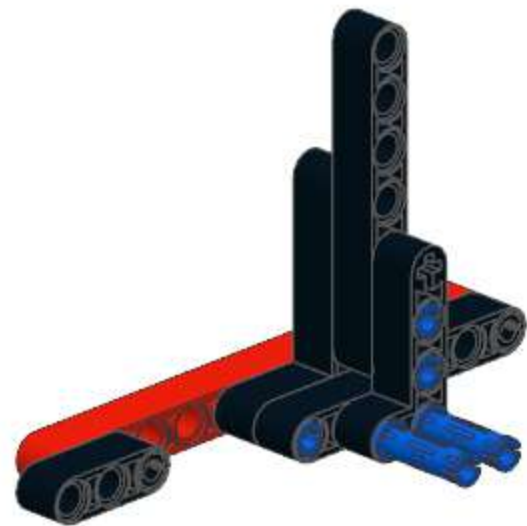




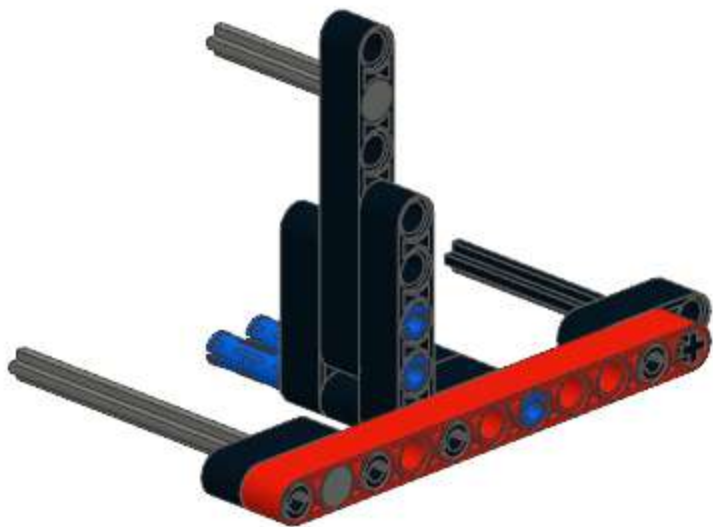
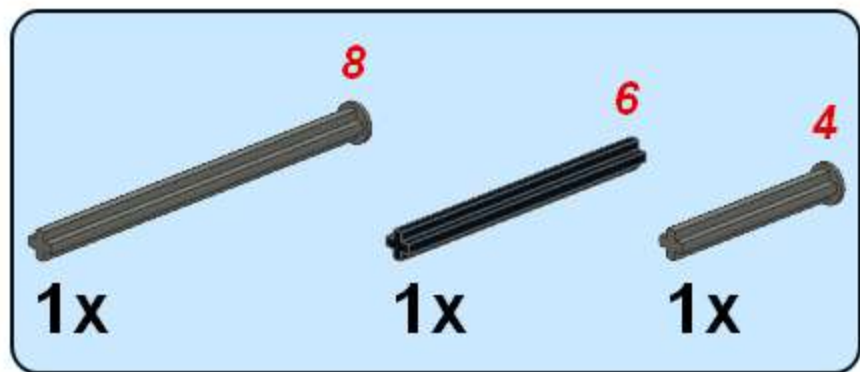
4



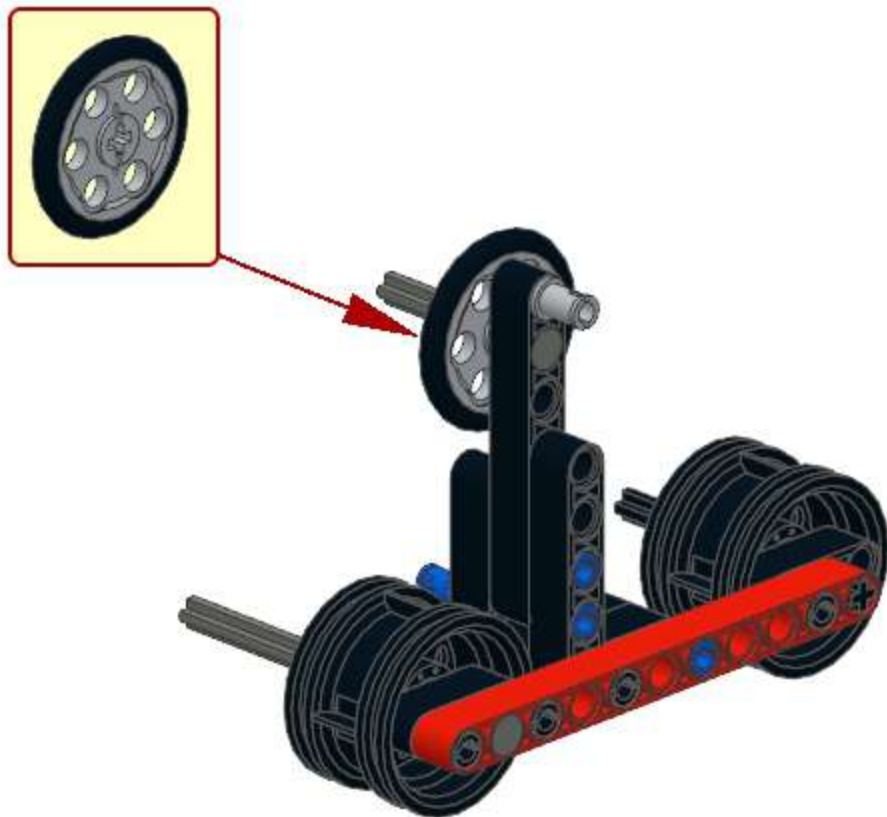
5



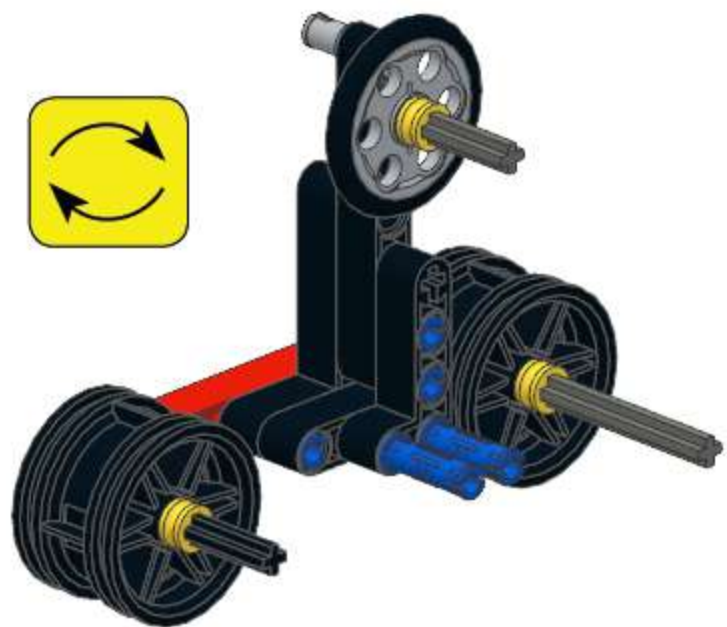
6



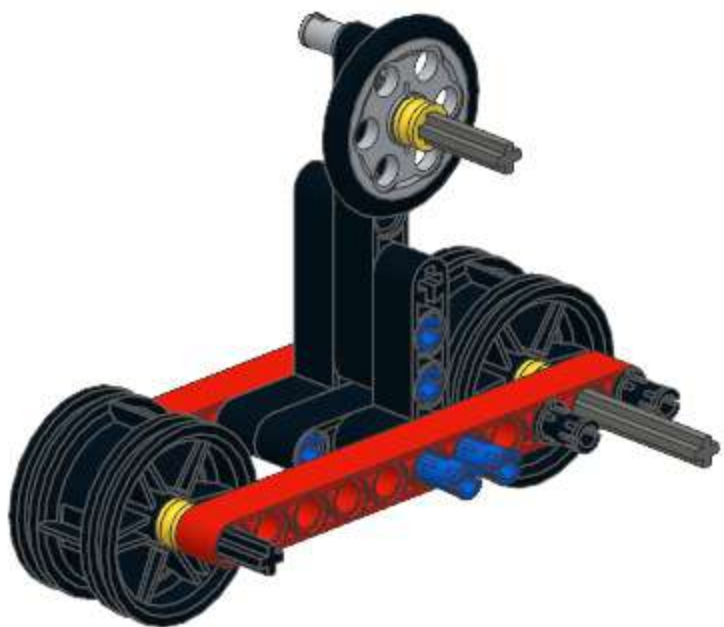
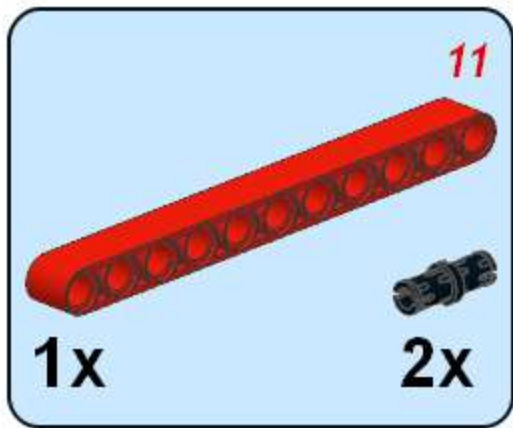
7



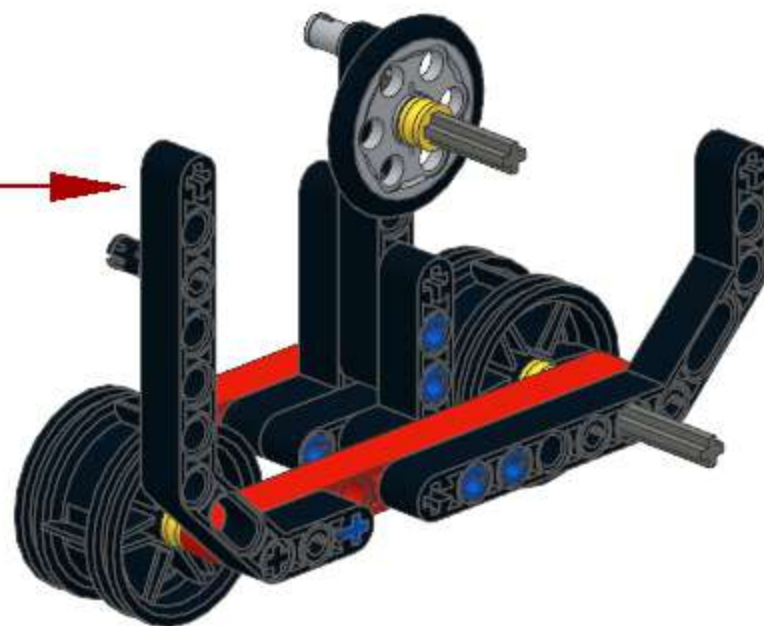
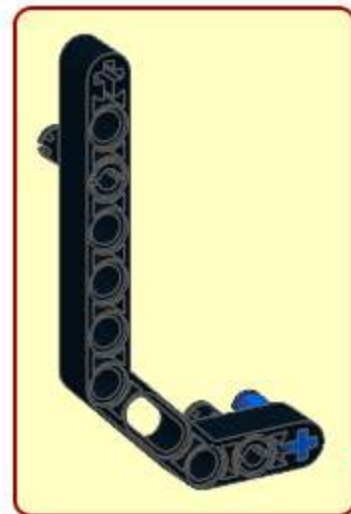
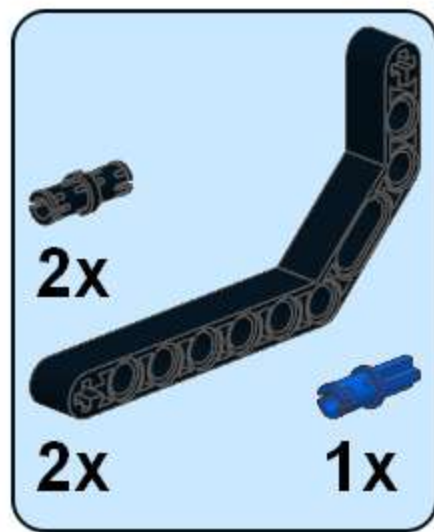
8



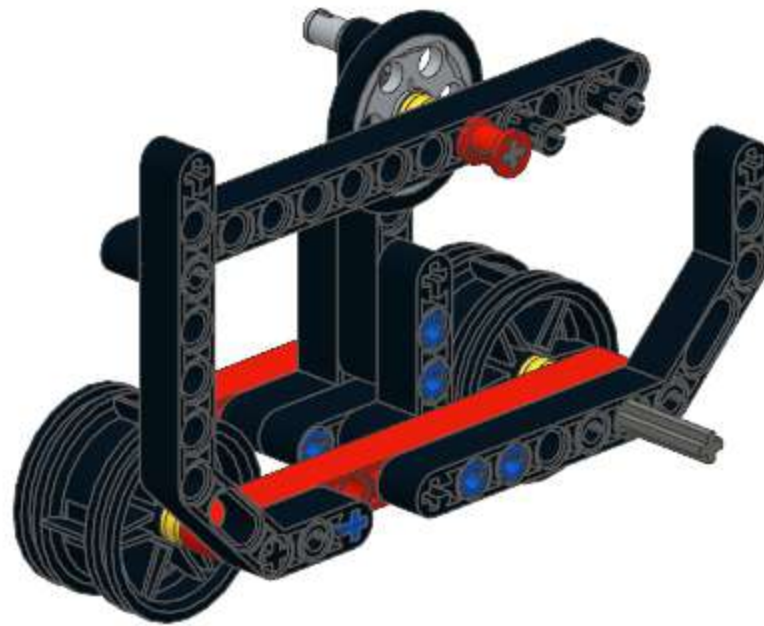
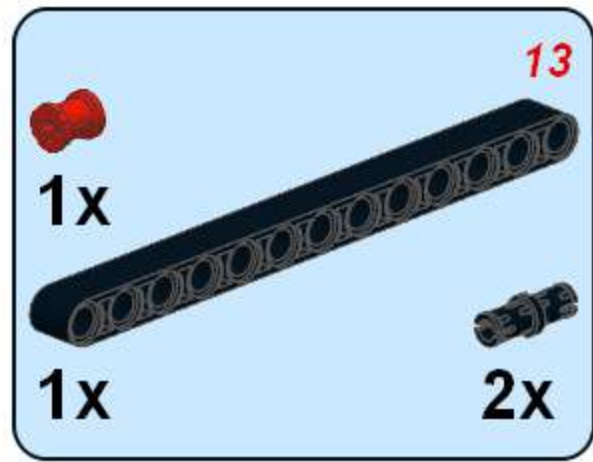
9



10

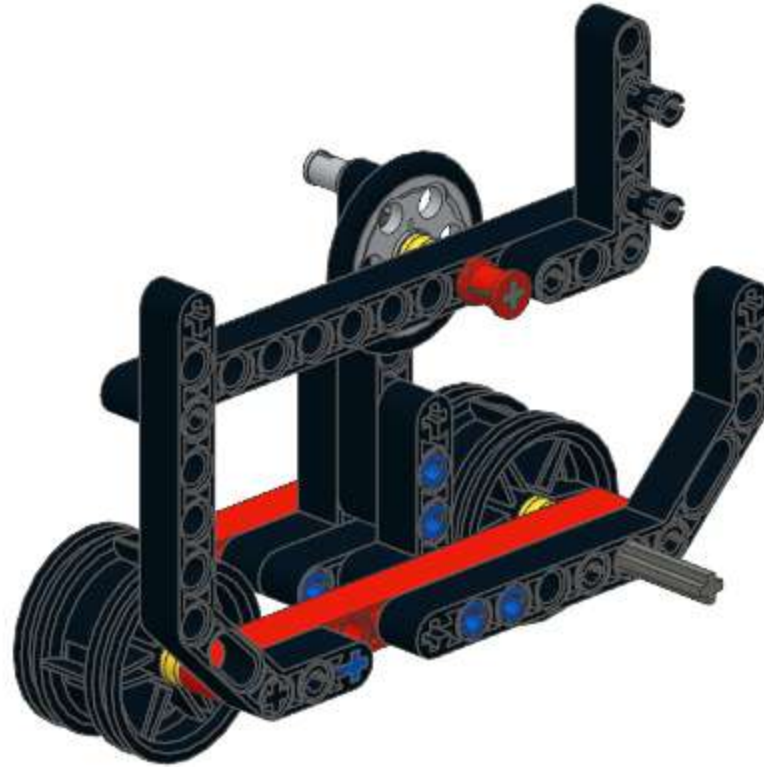
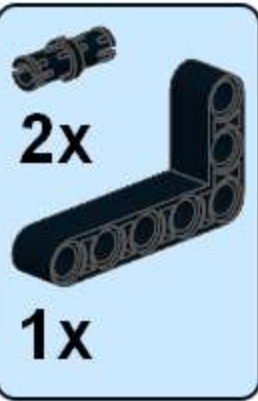


# 11

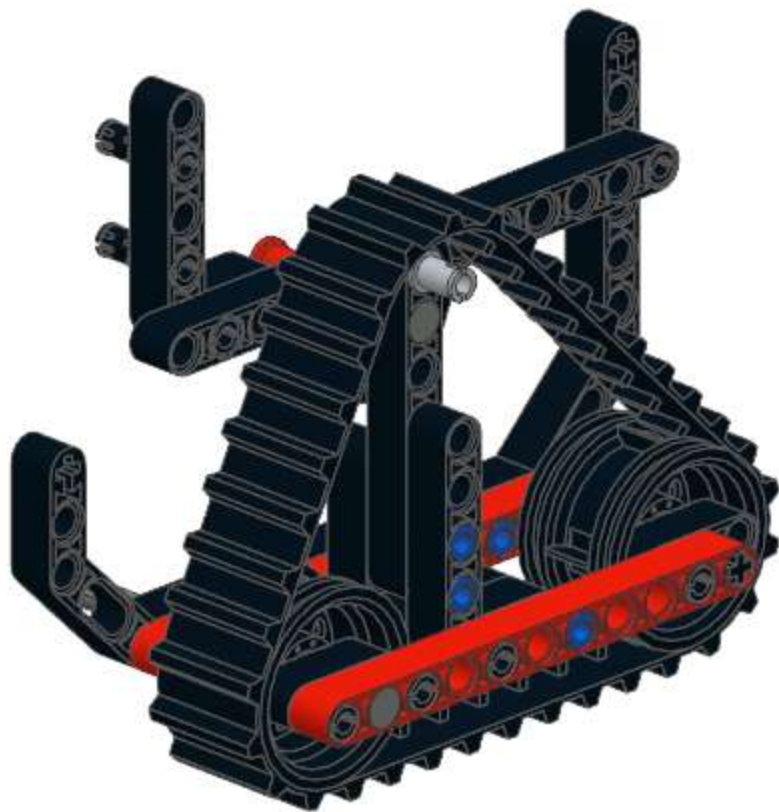
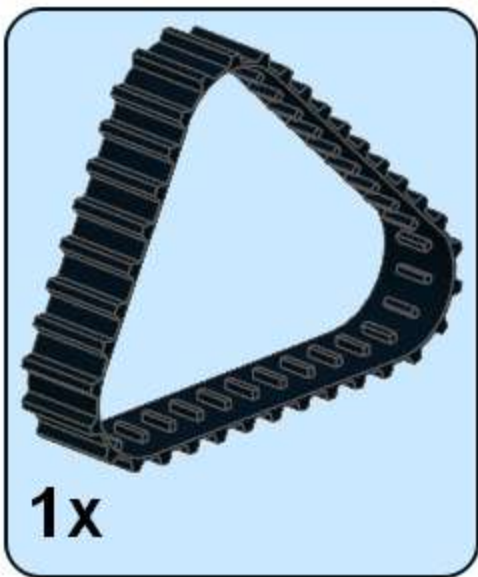




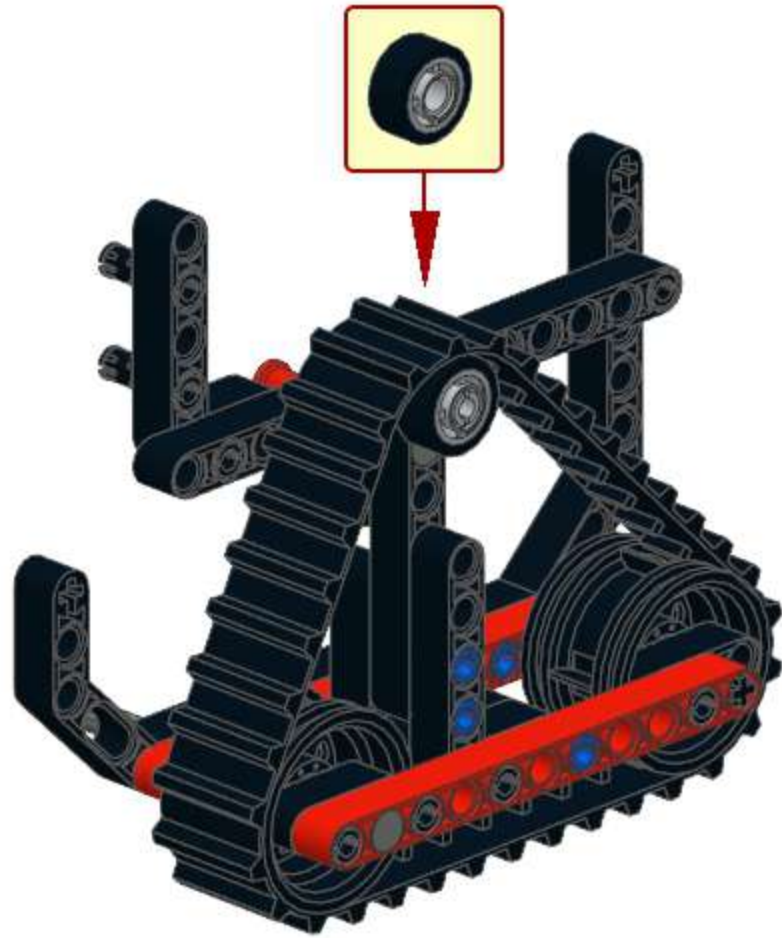
12



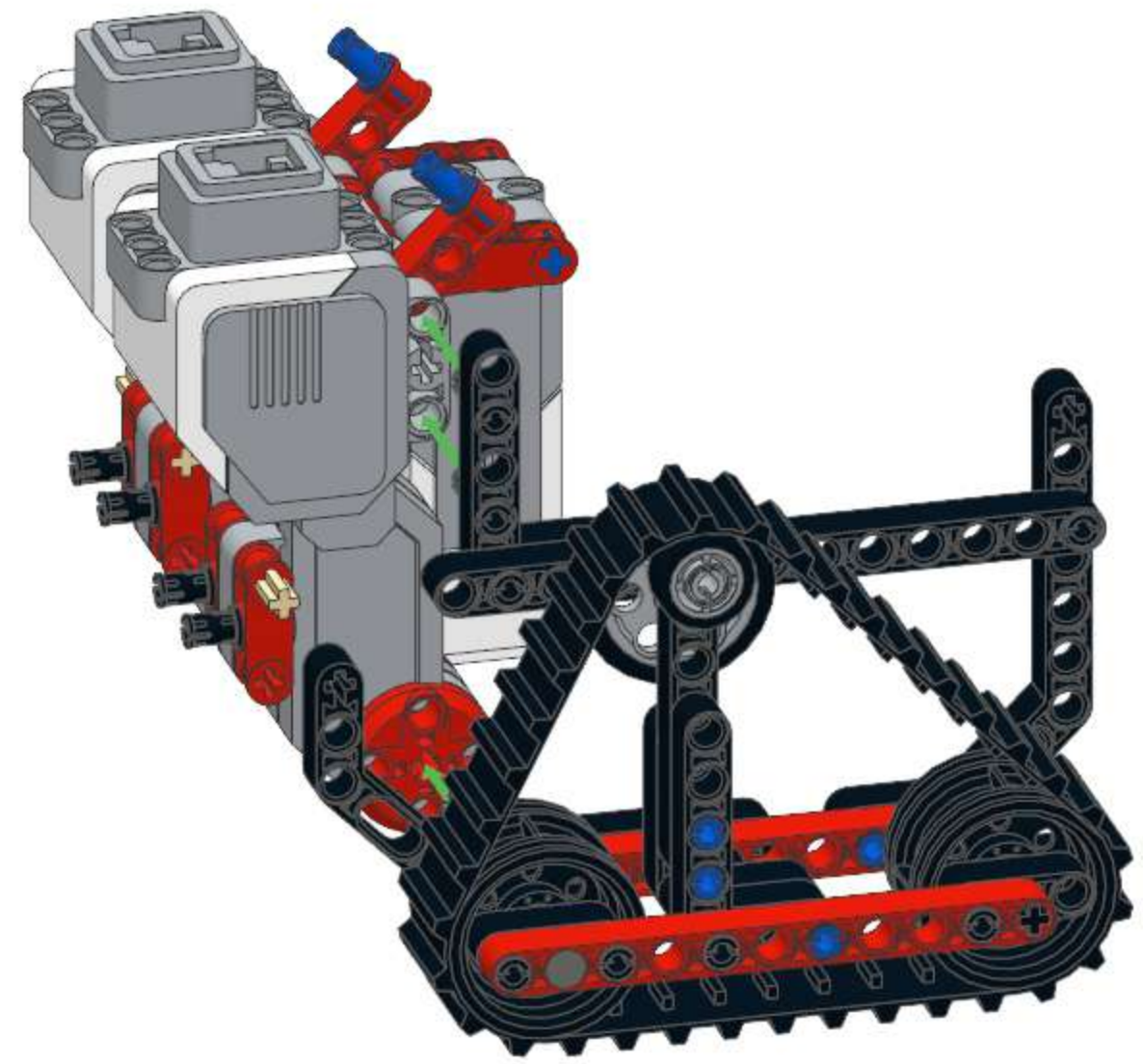
13



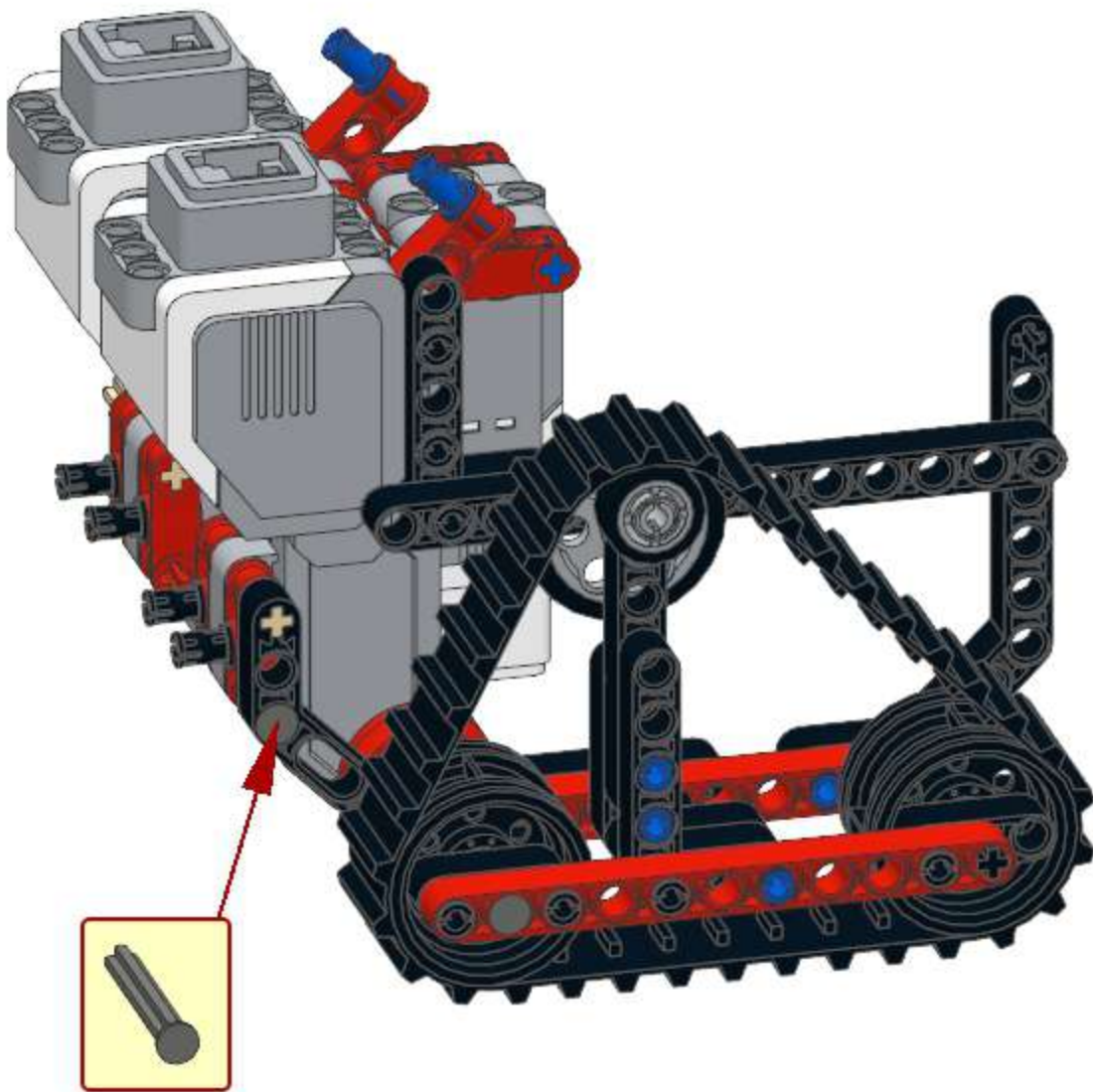
14



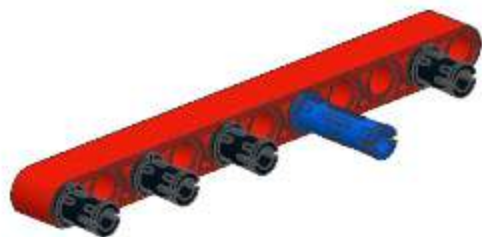
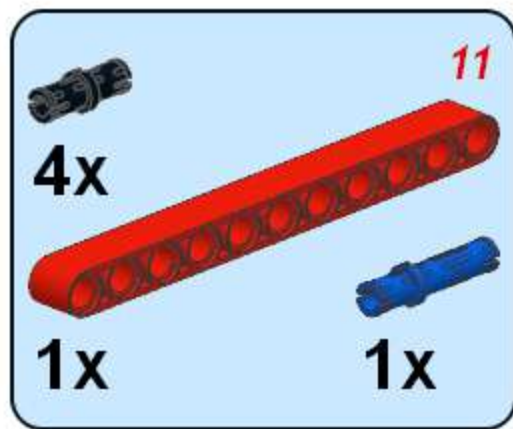
1



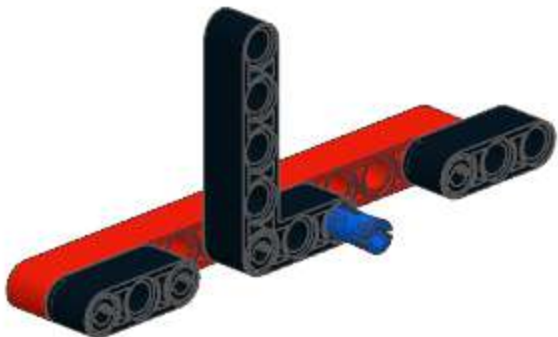
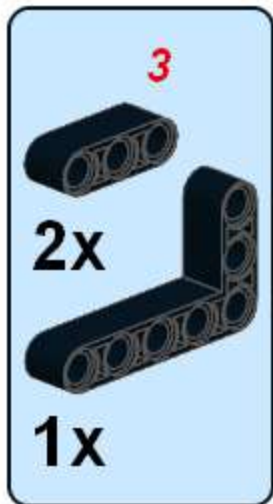
2



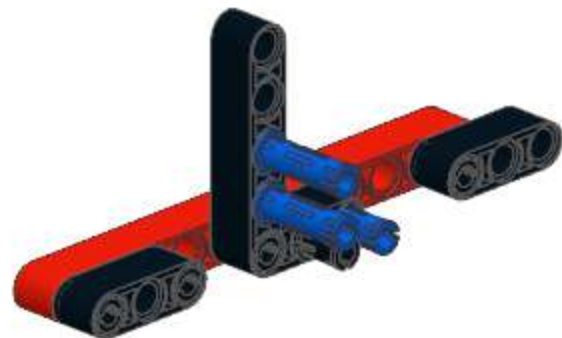
1



2

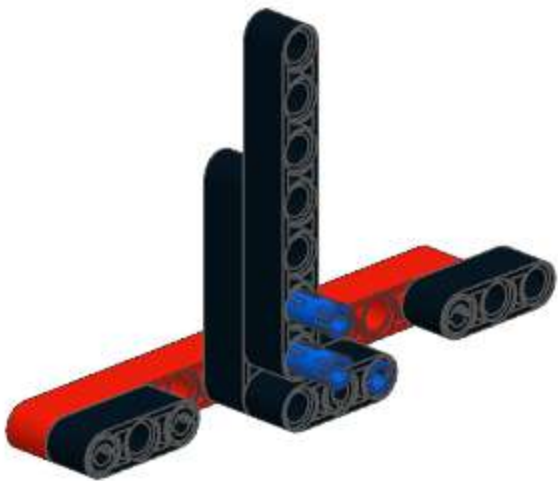
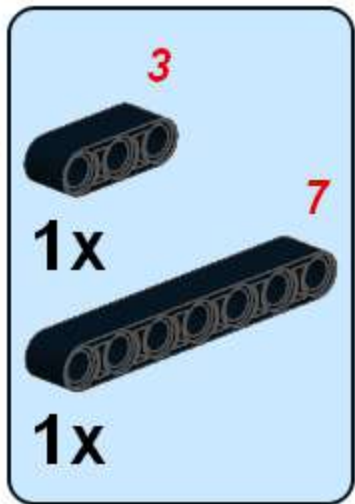


3

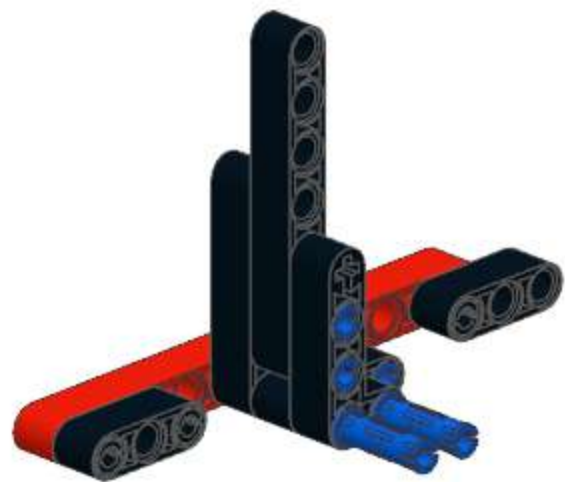




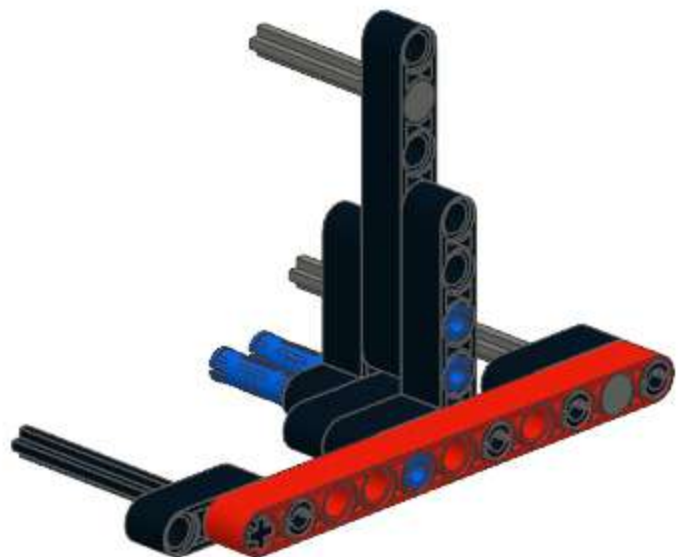
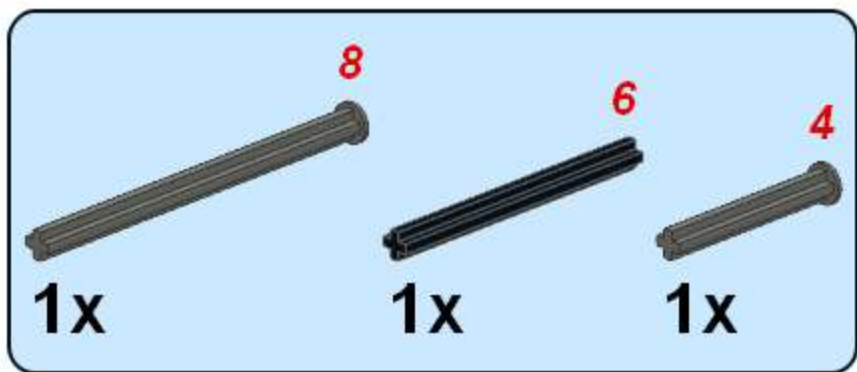
4



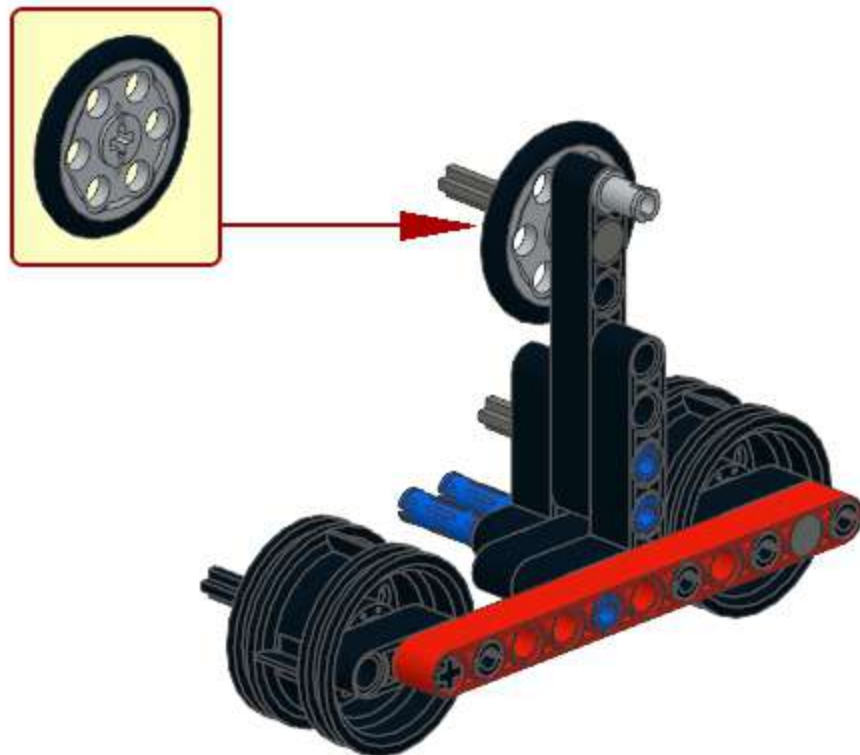
5



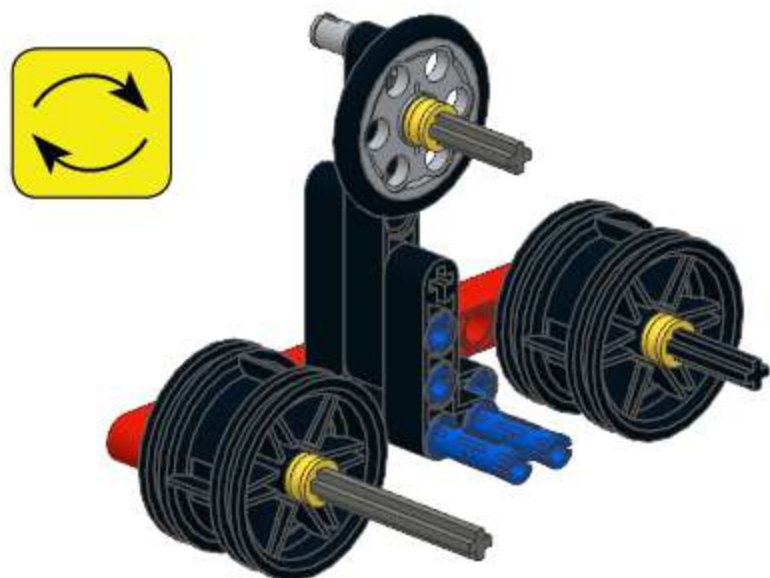
6



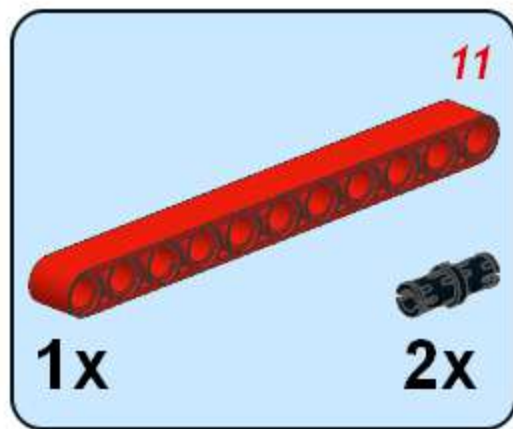
7



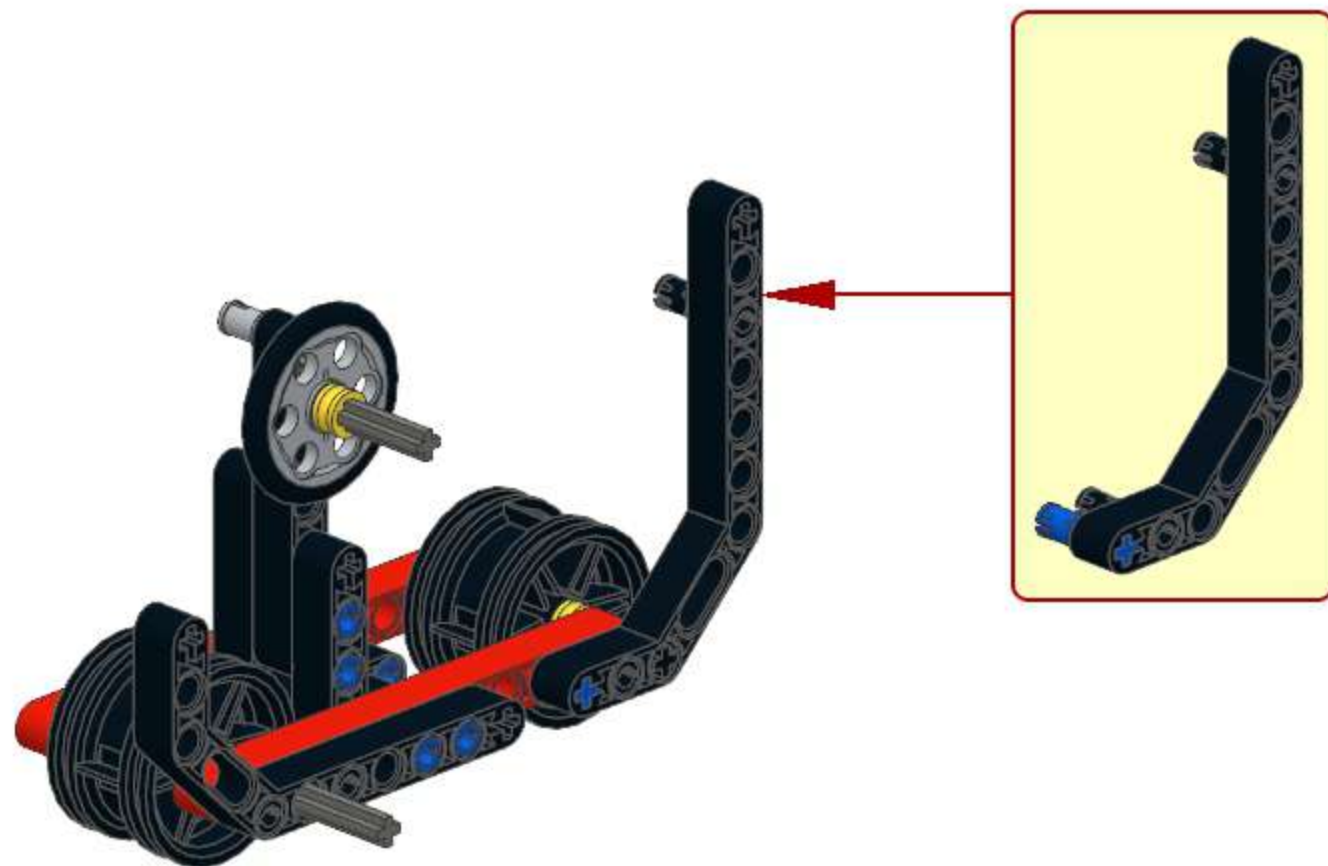
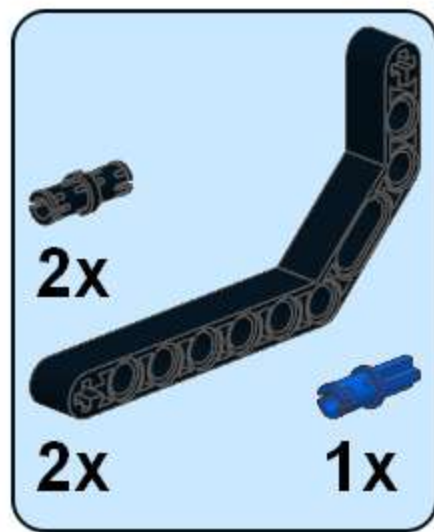
8



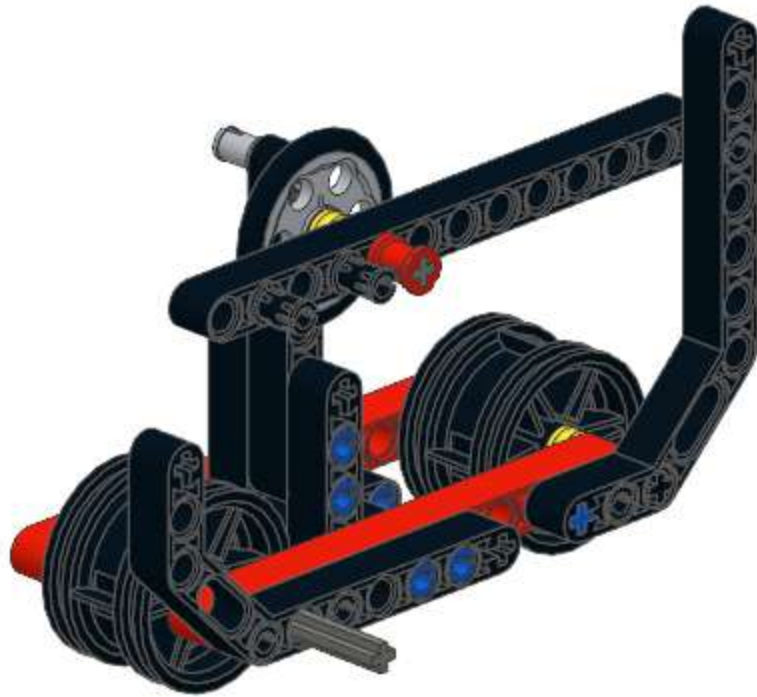
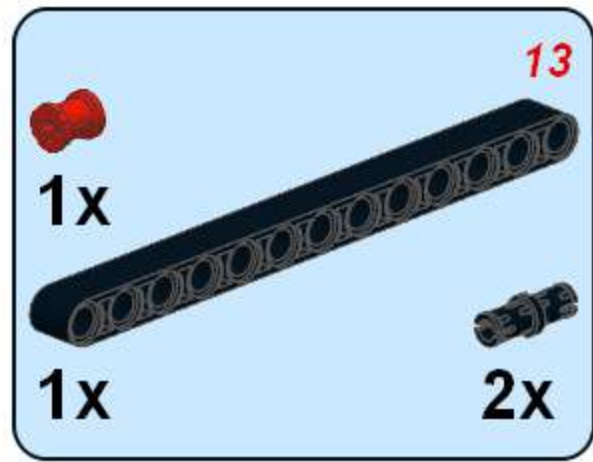
9



10

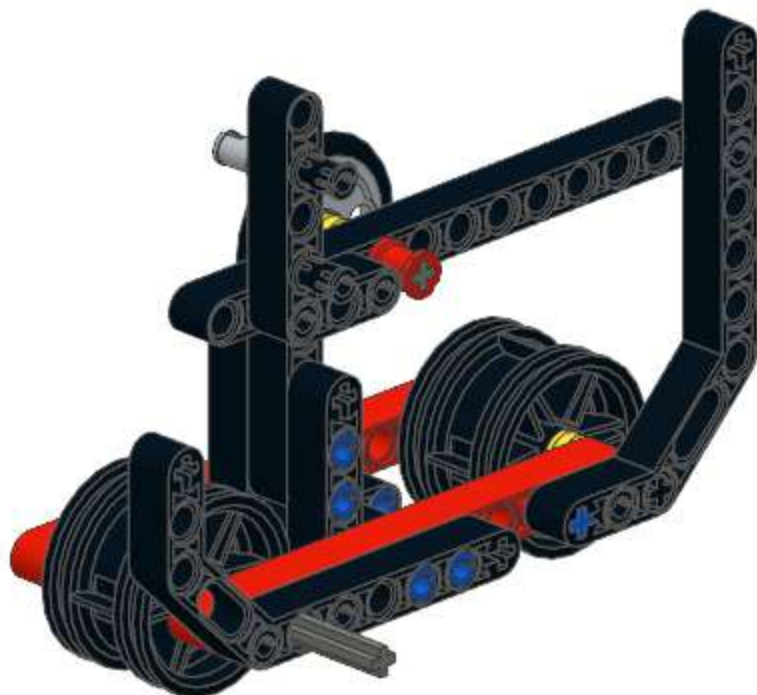
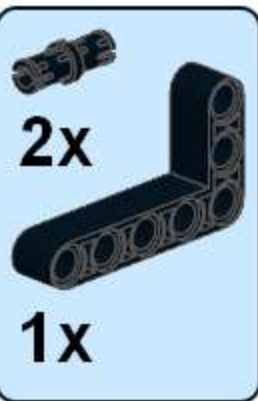


# 11

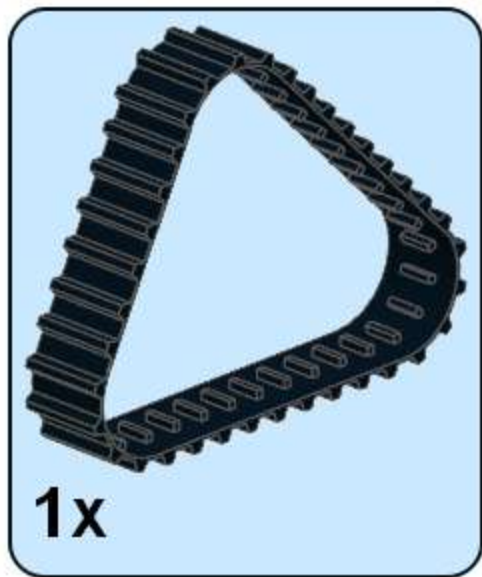




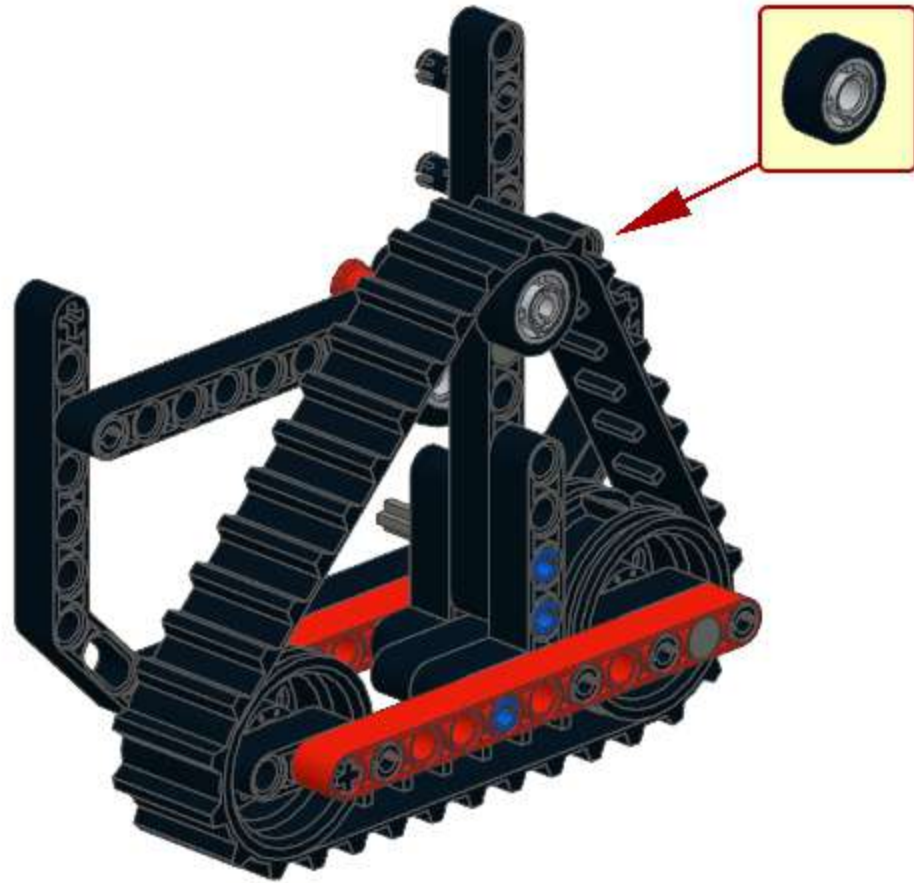
12



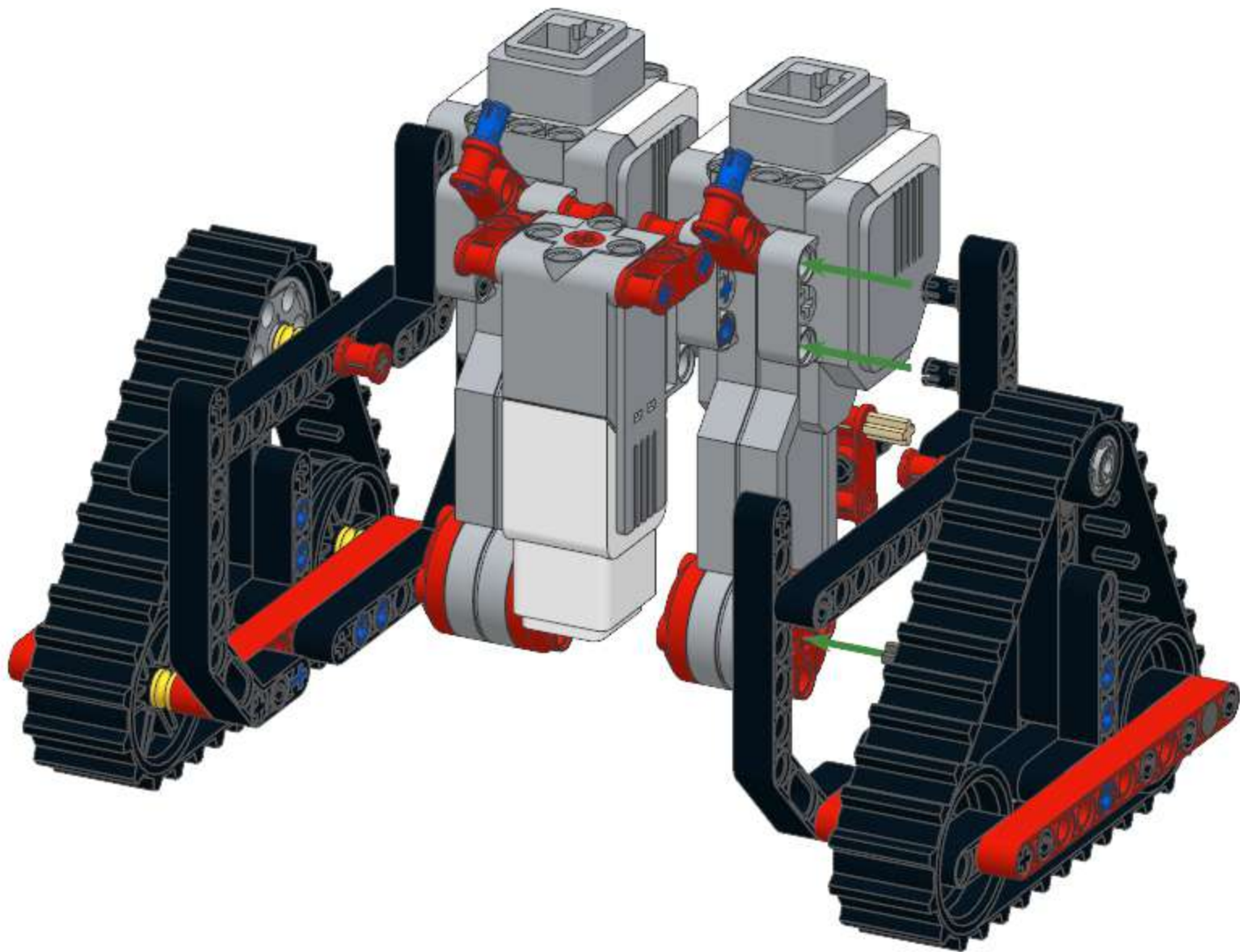
13



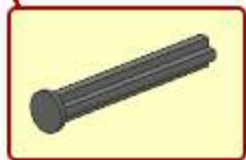
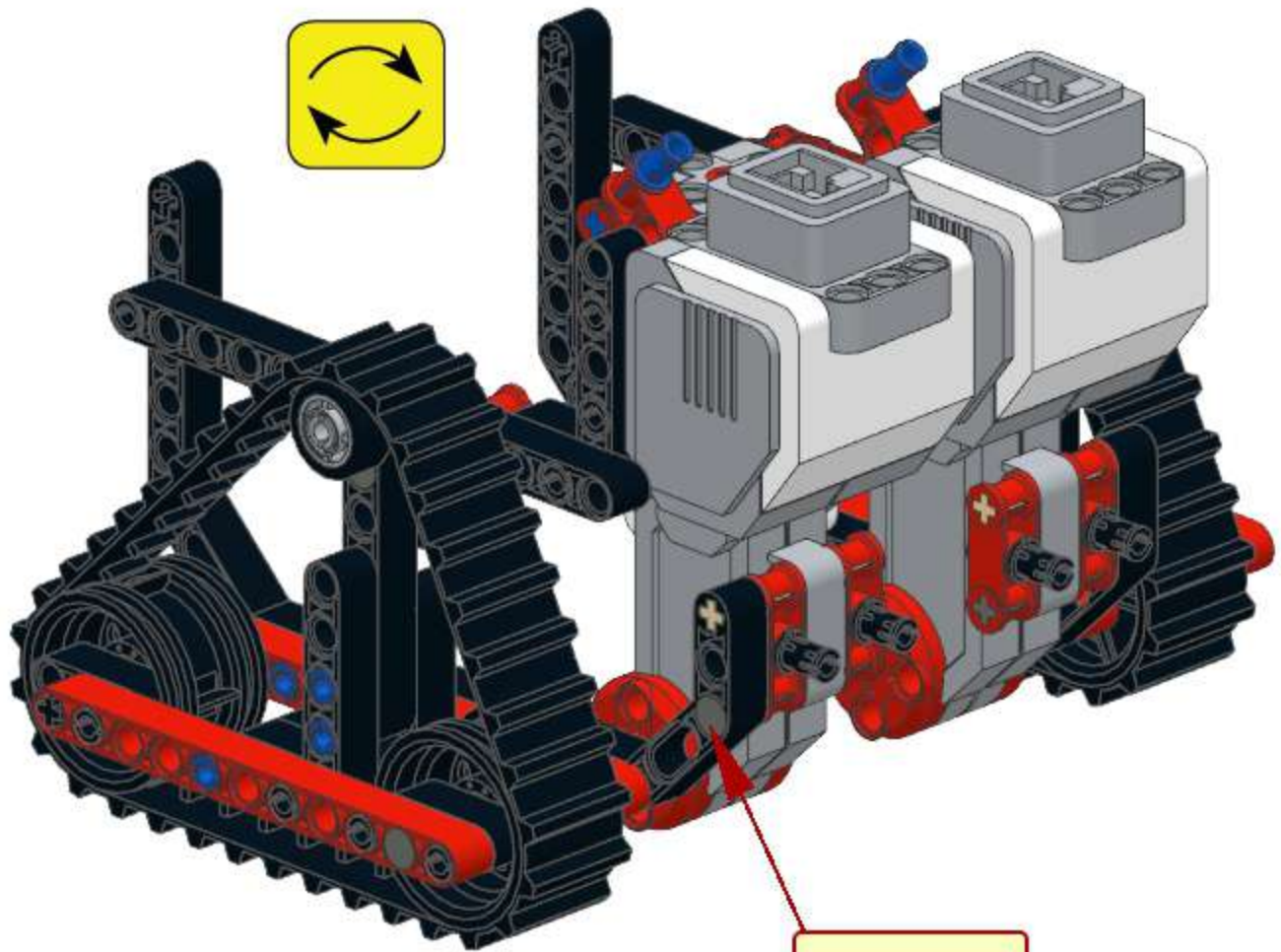
14



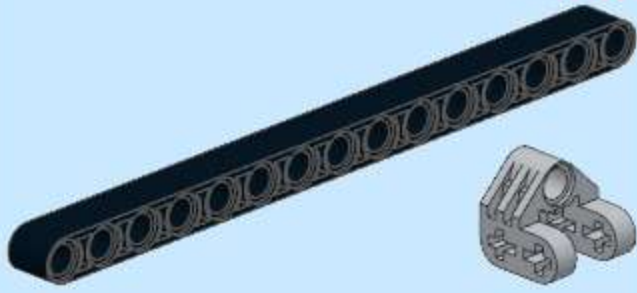
3



4



15

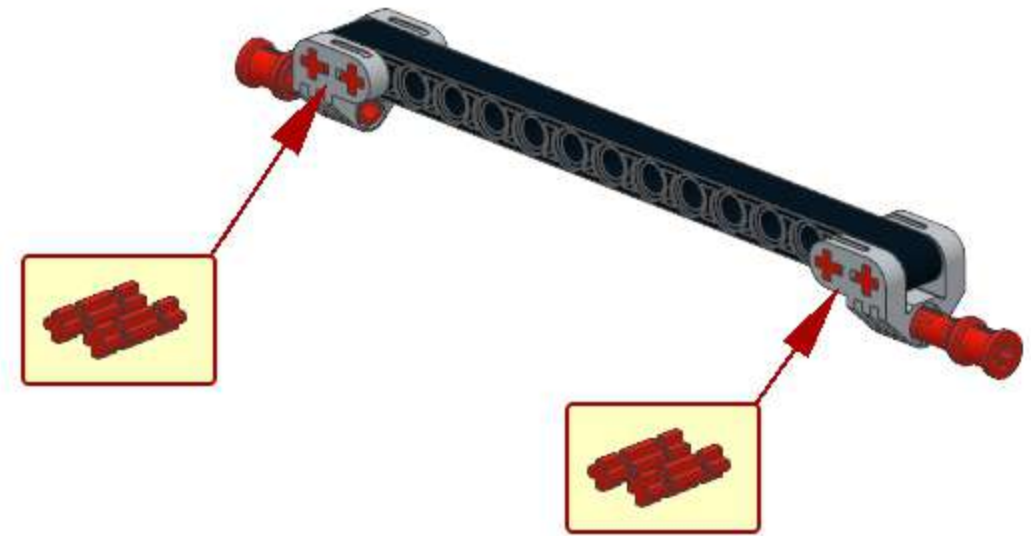
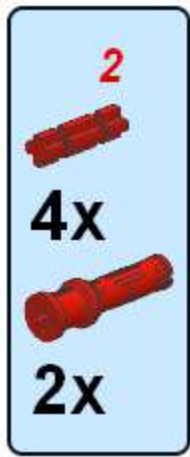


1x

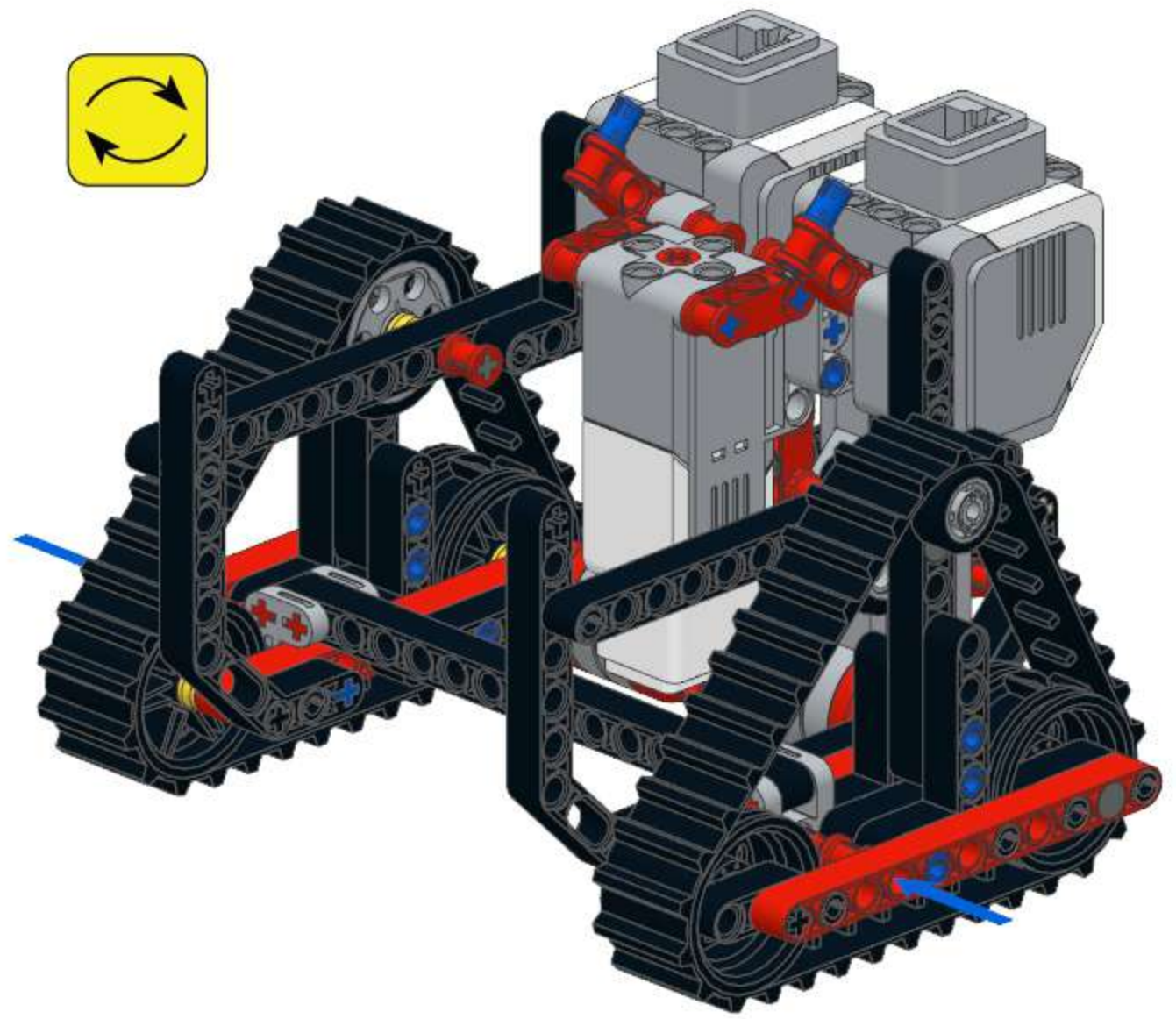
2x



2  
4x  
2x

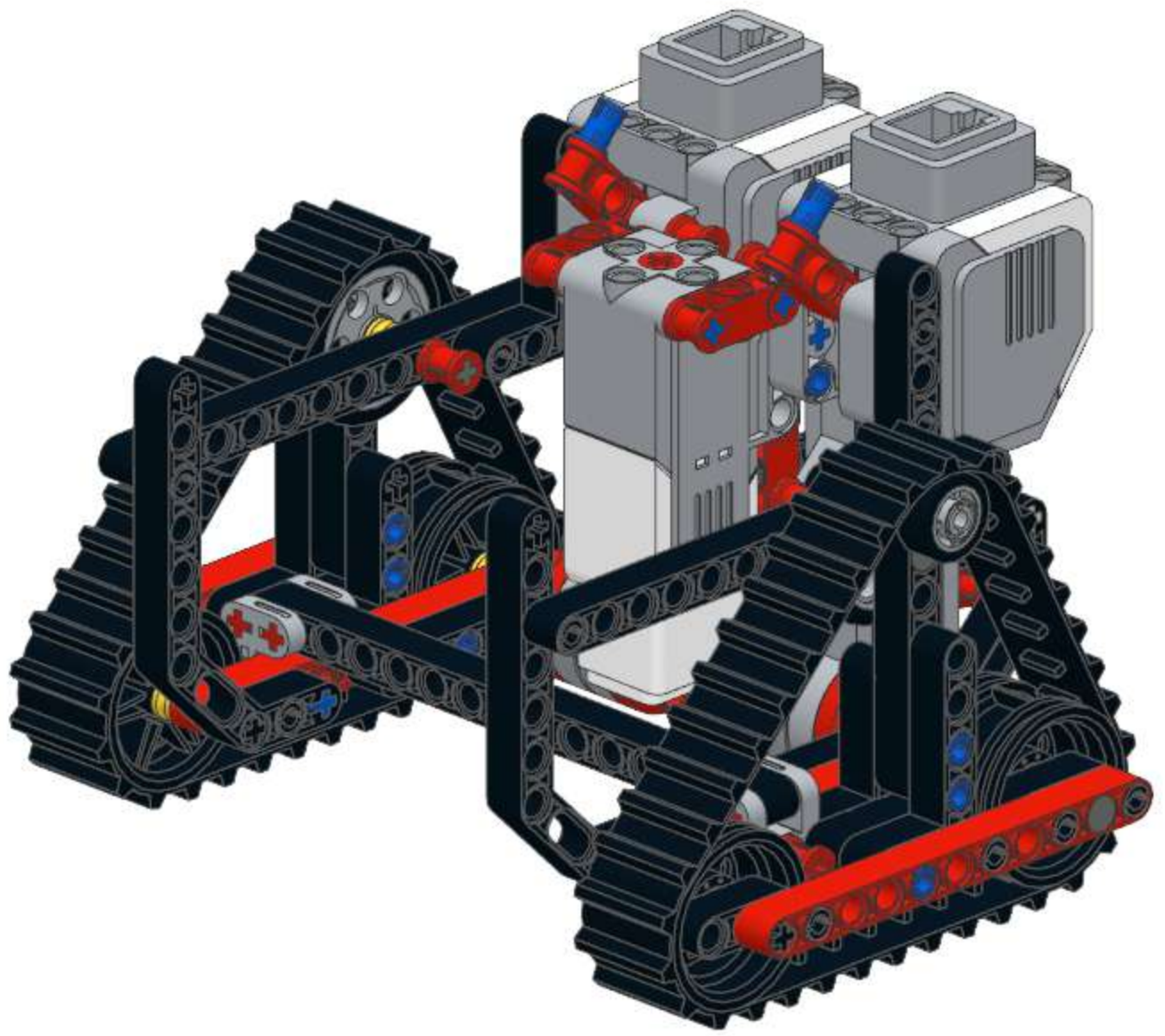


5

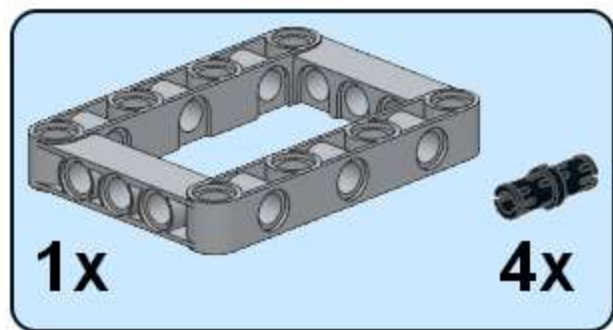




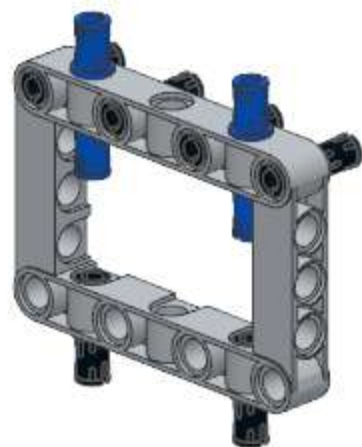
6



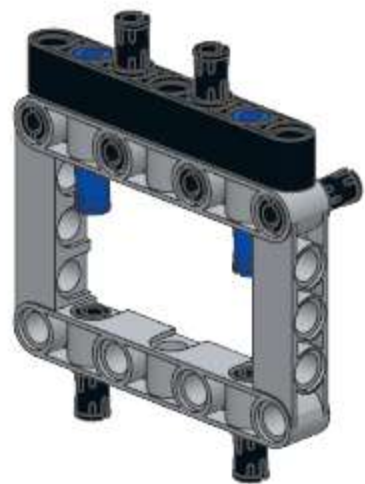
1



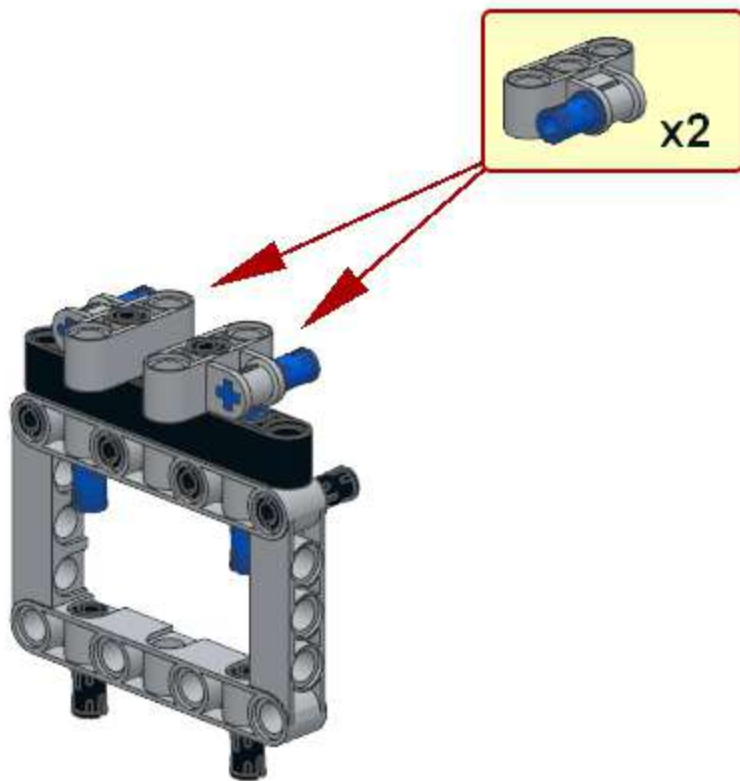
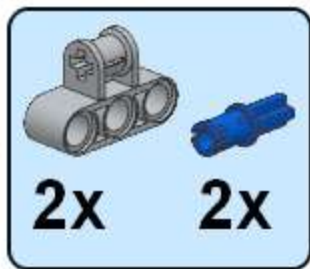
2



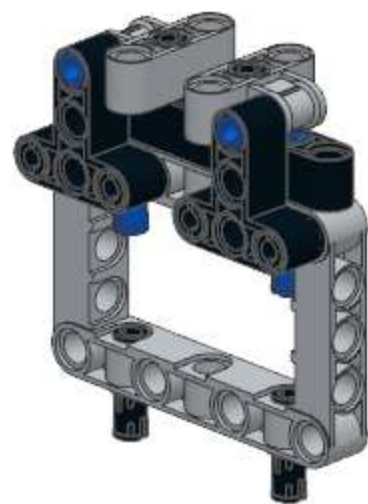
3



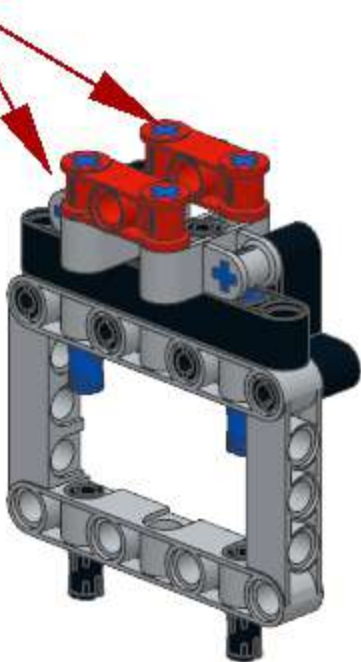
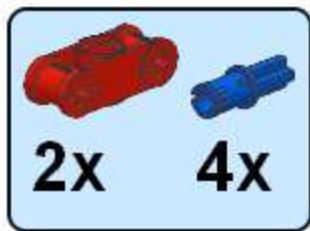
4



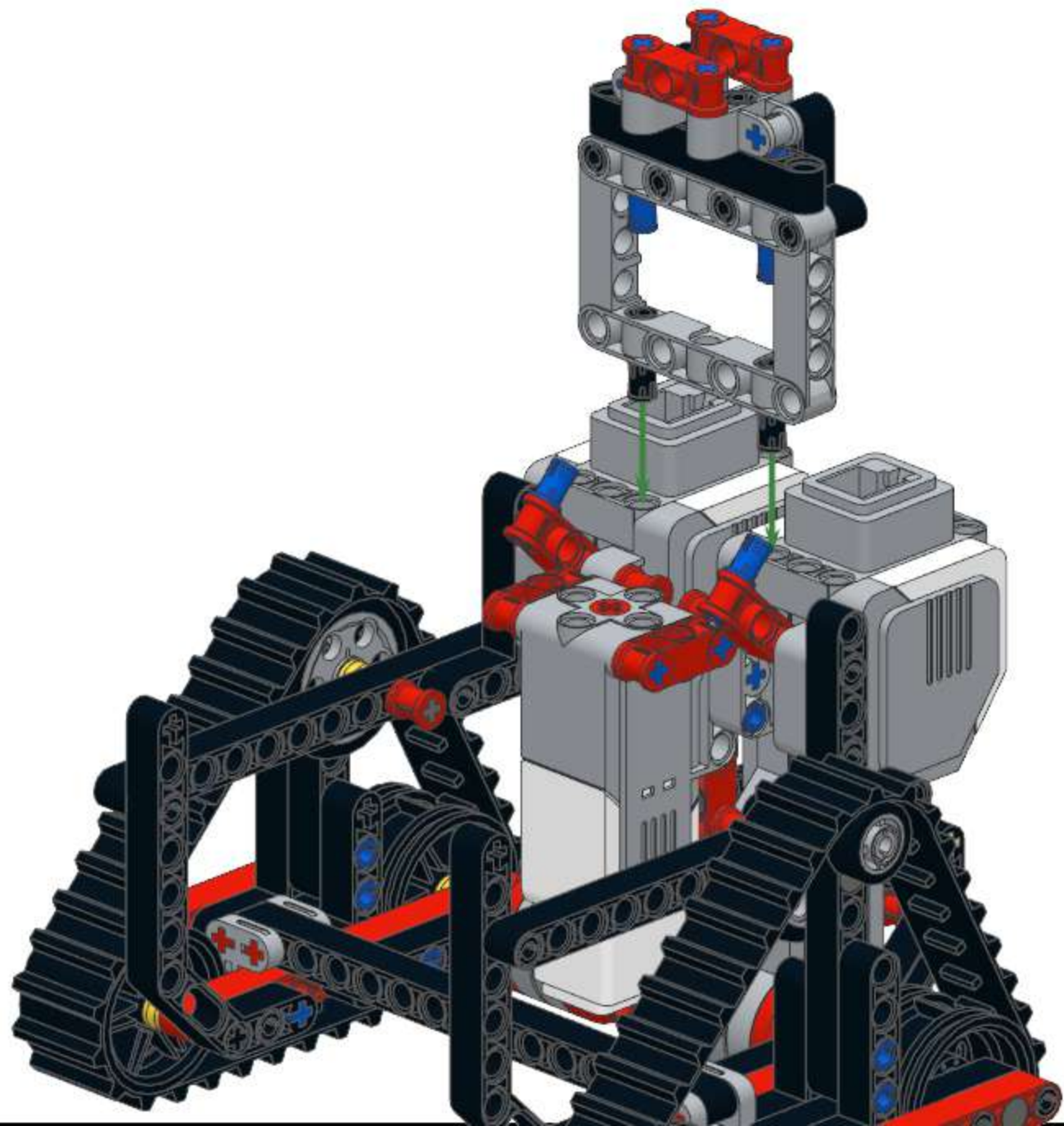
5



6

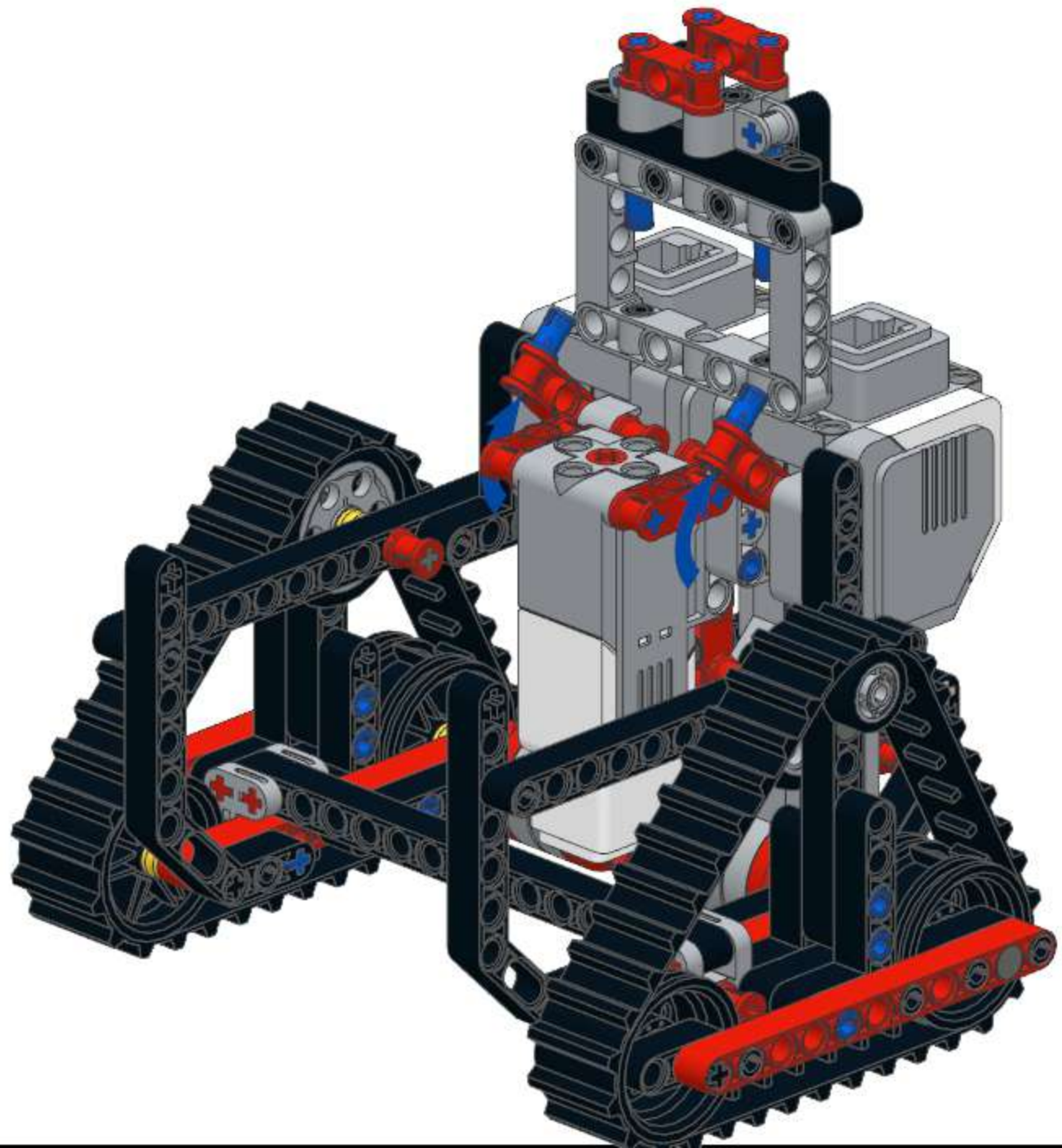


7

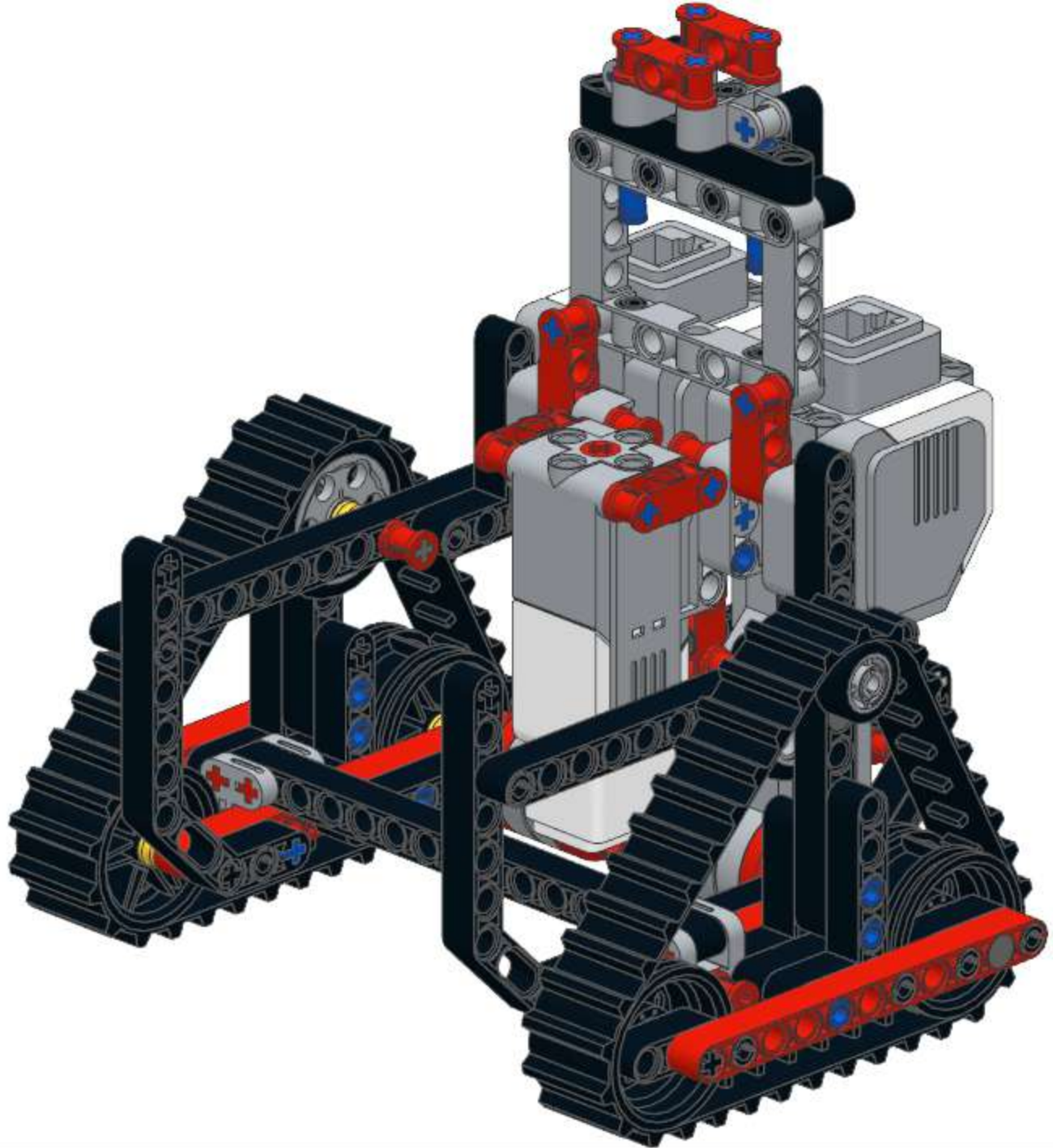




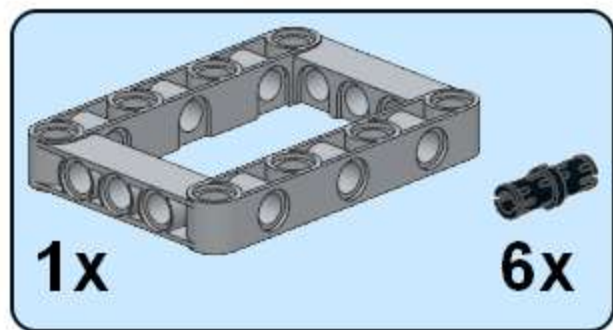
8



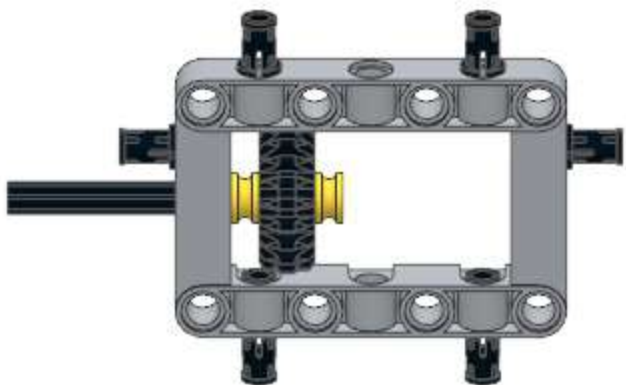
9



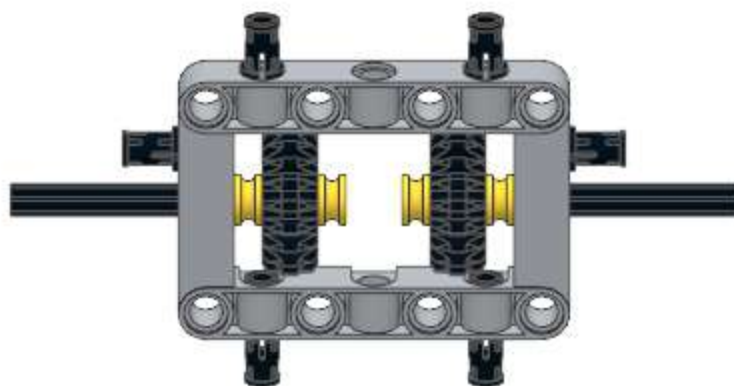
1



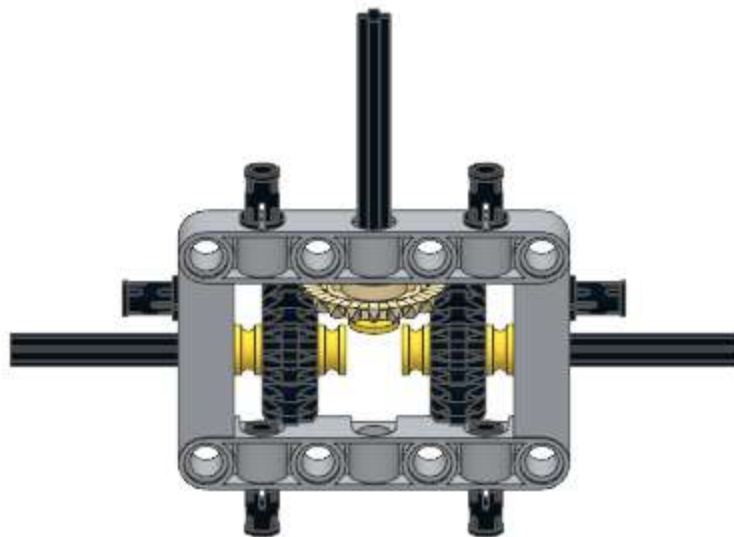
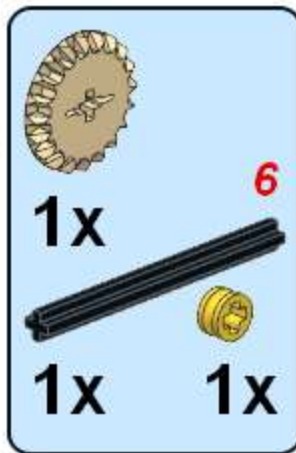
2





3

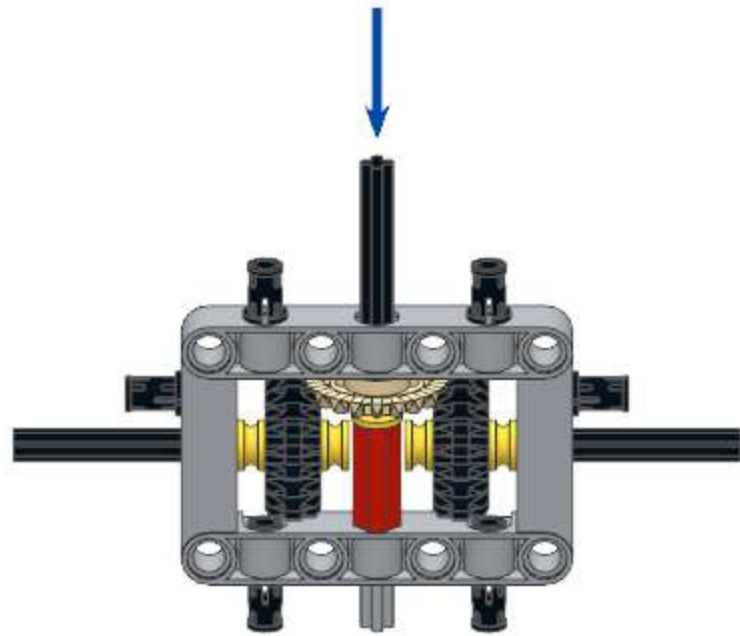


4

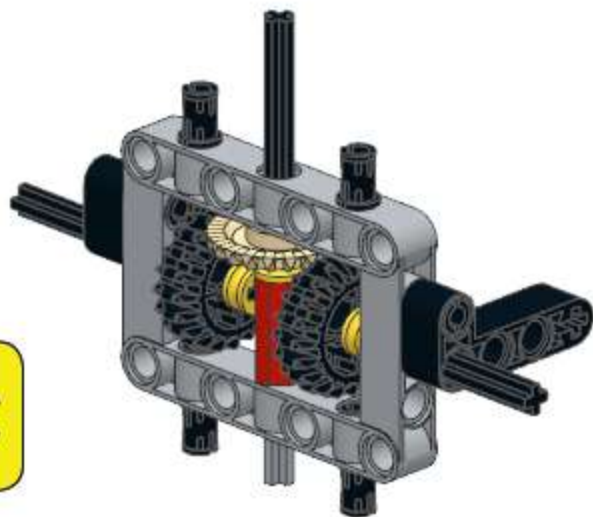


5

1x  3  
1x 

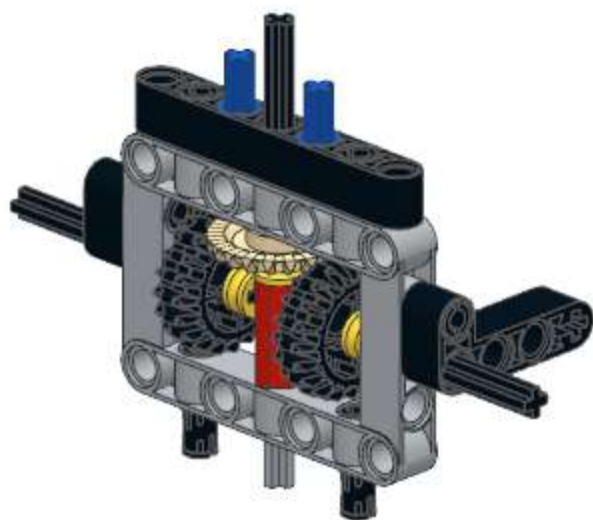


6

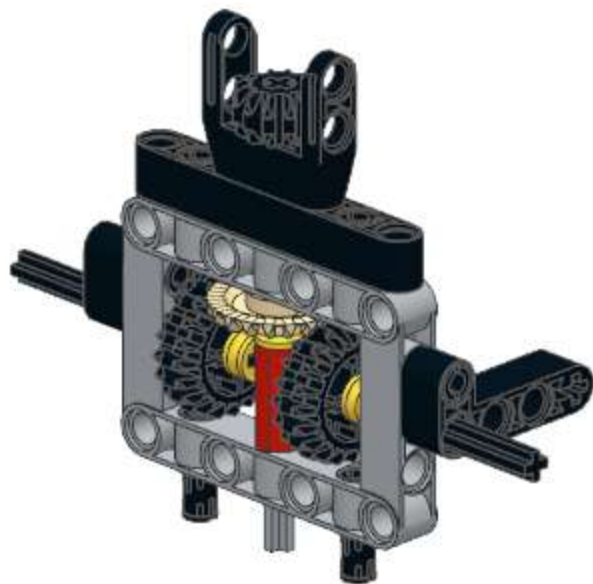




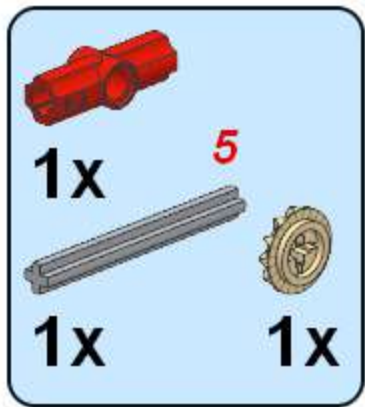
7






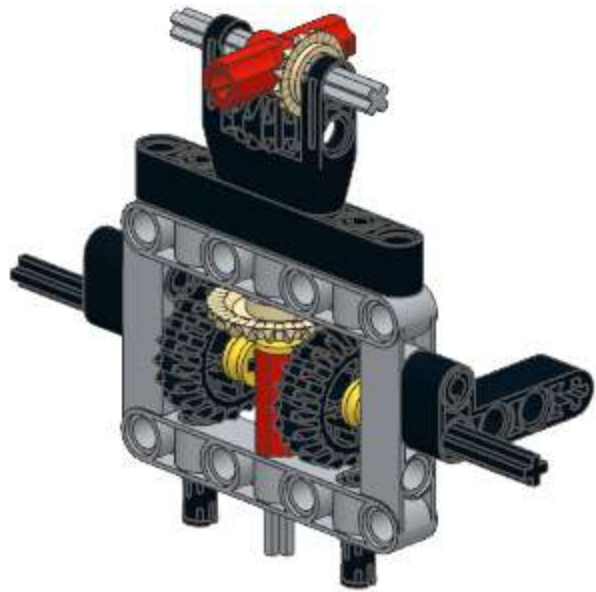
8



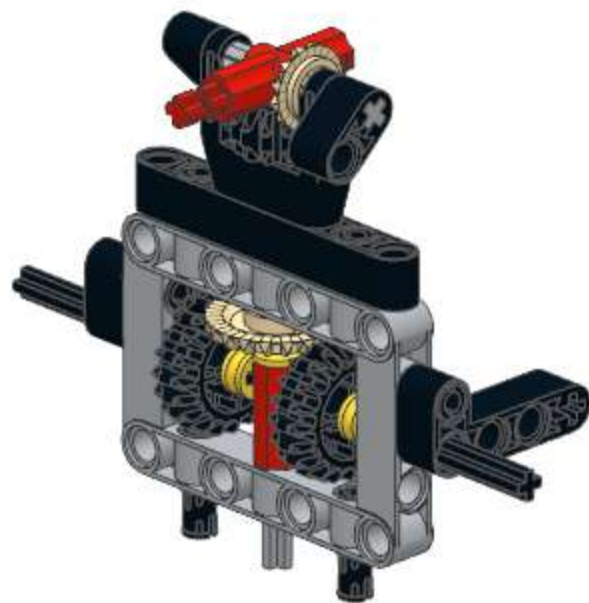
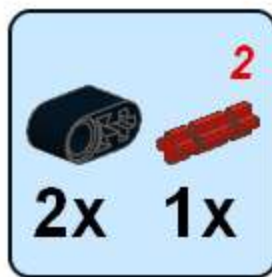
9



1x  5  1x  1x



10



# 11

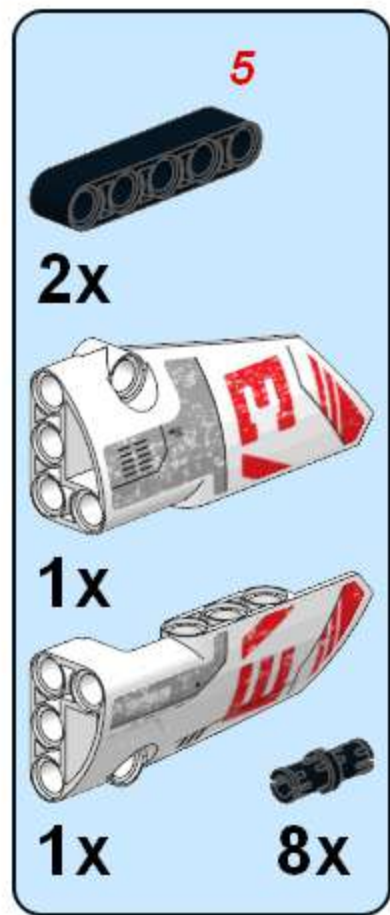
5

2x

1x

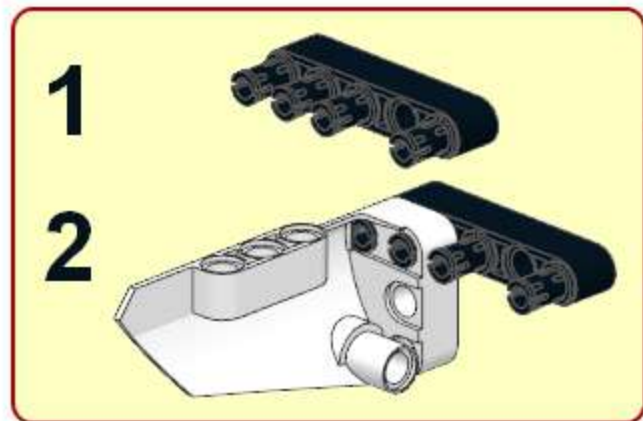
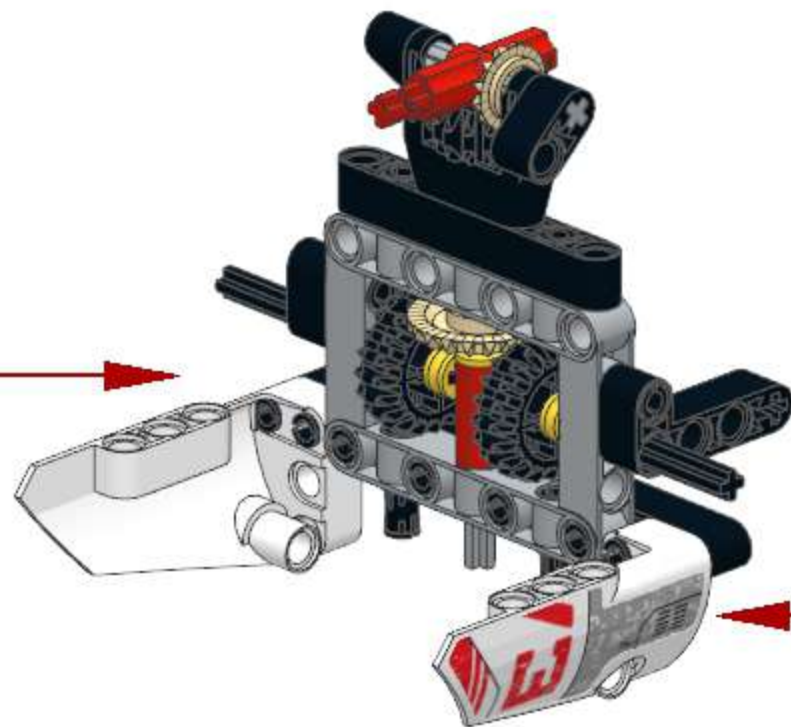
1x

8x

A parts list for step 11. It includes: 2x black Technic Technaxx 5-hole axle connector; 1x white Technic Technaxx 5-hole axle connector with a red 'W' logo; 1x white Technic Technaxx 5-hole axle connector with a red 'W' logo and a red Technic axle pin; and 8x black Technic Technaxx 5-hole axle connector.

1

2

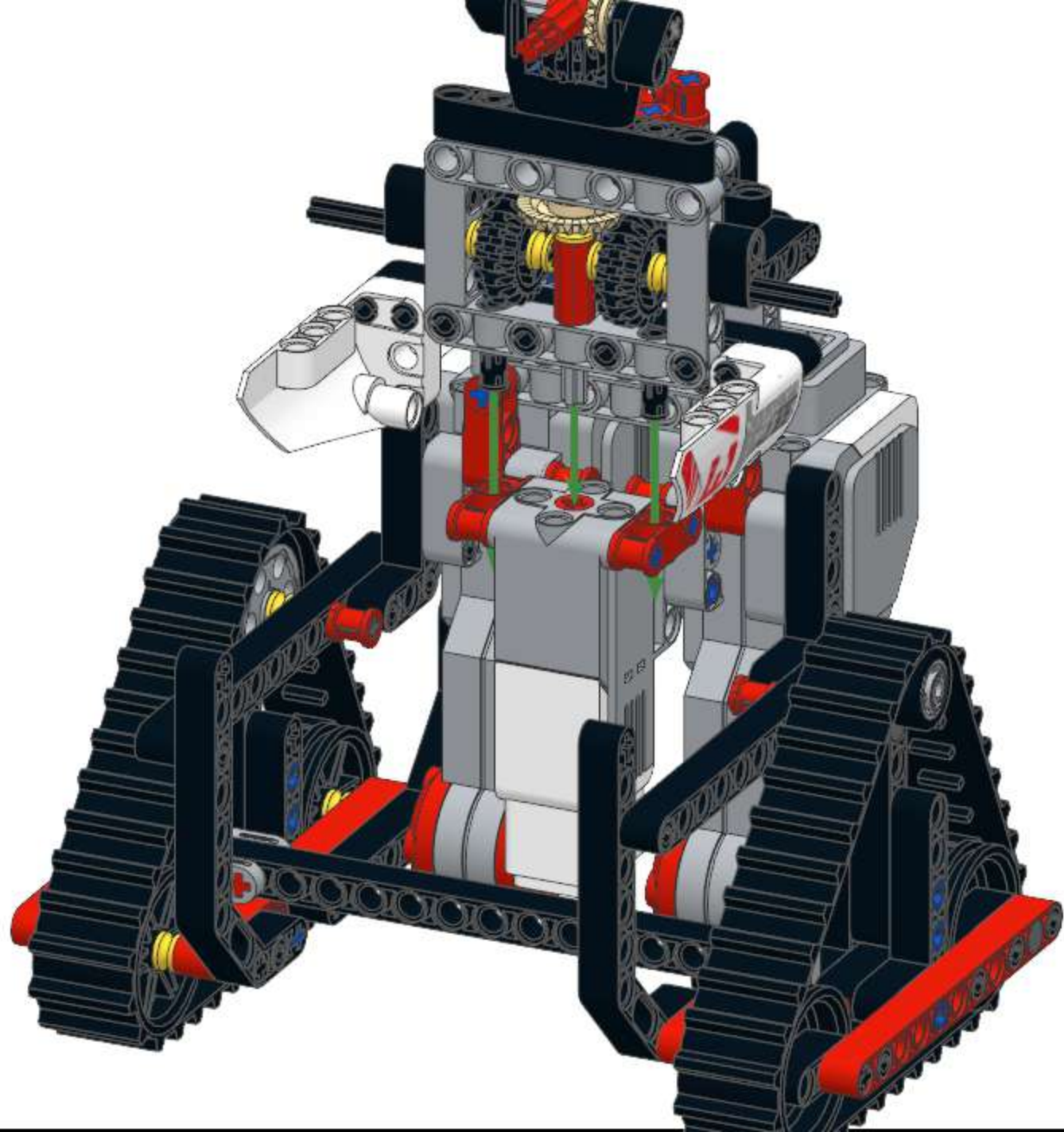
A yellow callout box showing step 1 of the assembly. It depicts two black Technic Technaxx 5-hole axle connectors being attached to a white Technic Technaxx 5-hole axle connector with a red 'W' logo. Red arrows indicate the direction of assembly.

1

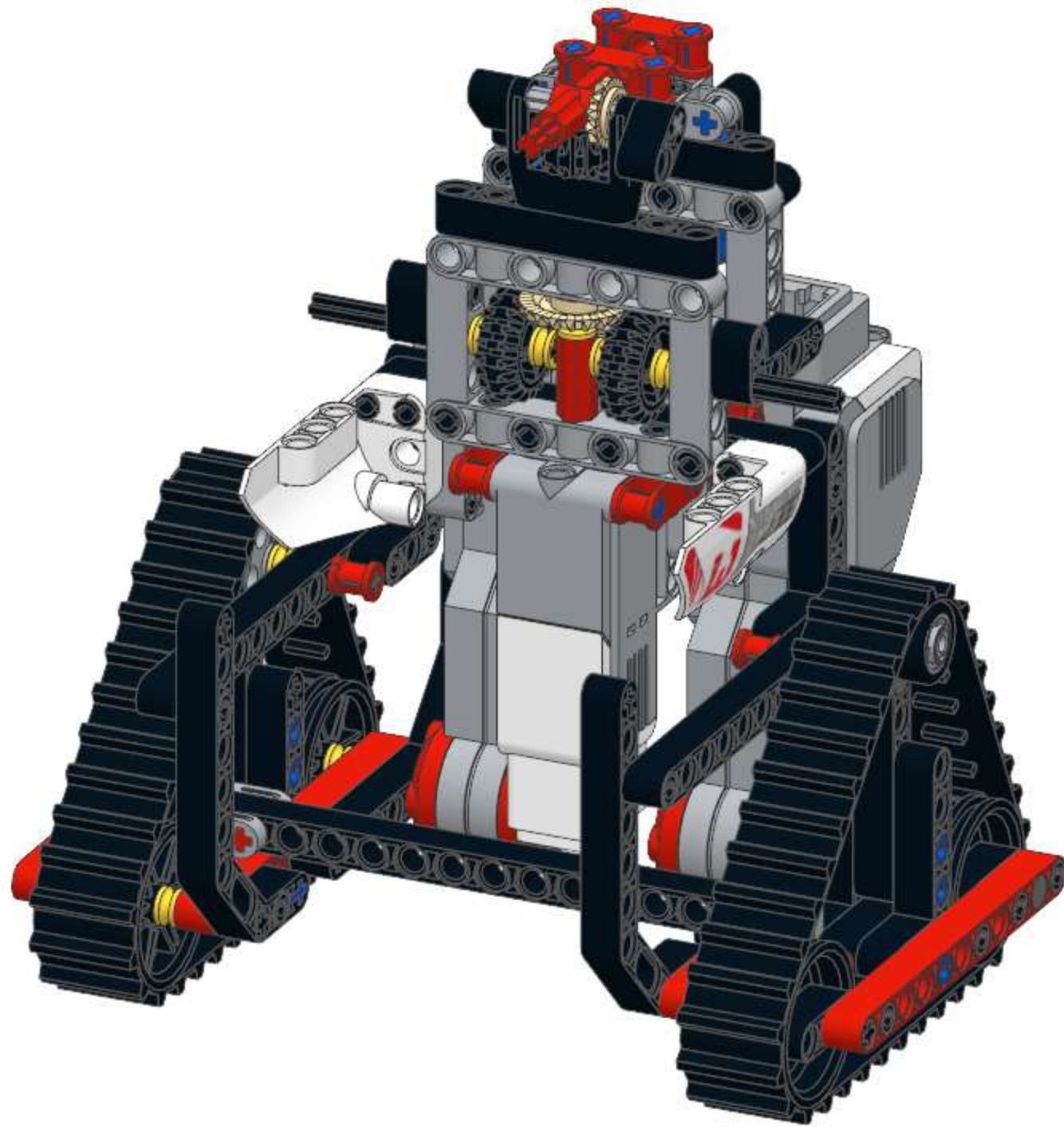
2

A yellow callout box showing step 2 of the assembly. It depicts two black Technic Technaxx 5-hole axle connectors being attached to the white Technic Technaxx 5-hole axle connector with a red 'W' logo. Red arrows indicate the direction of assembly.

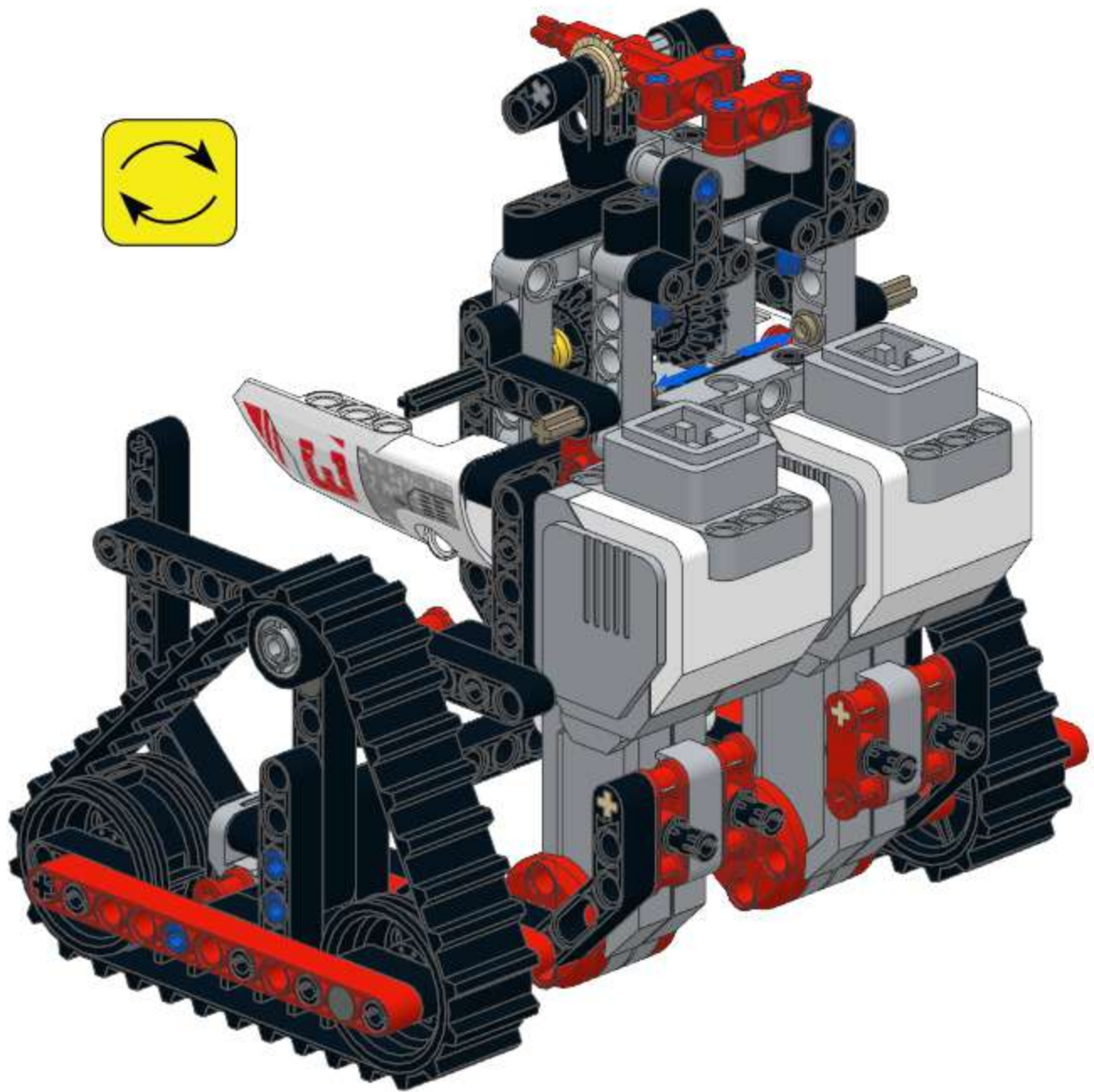
10



11

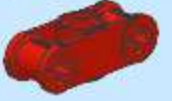




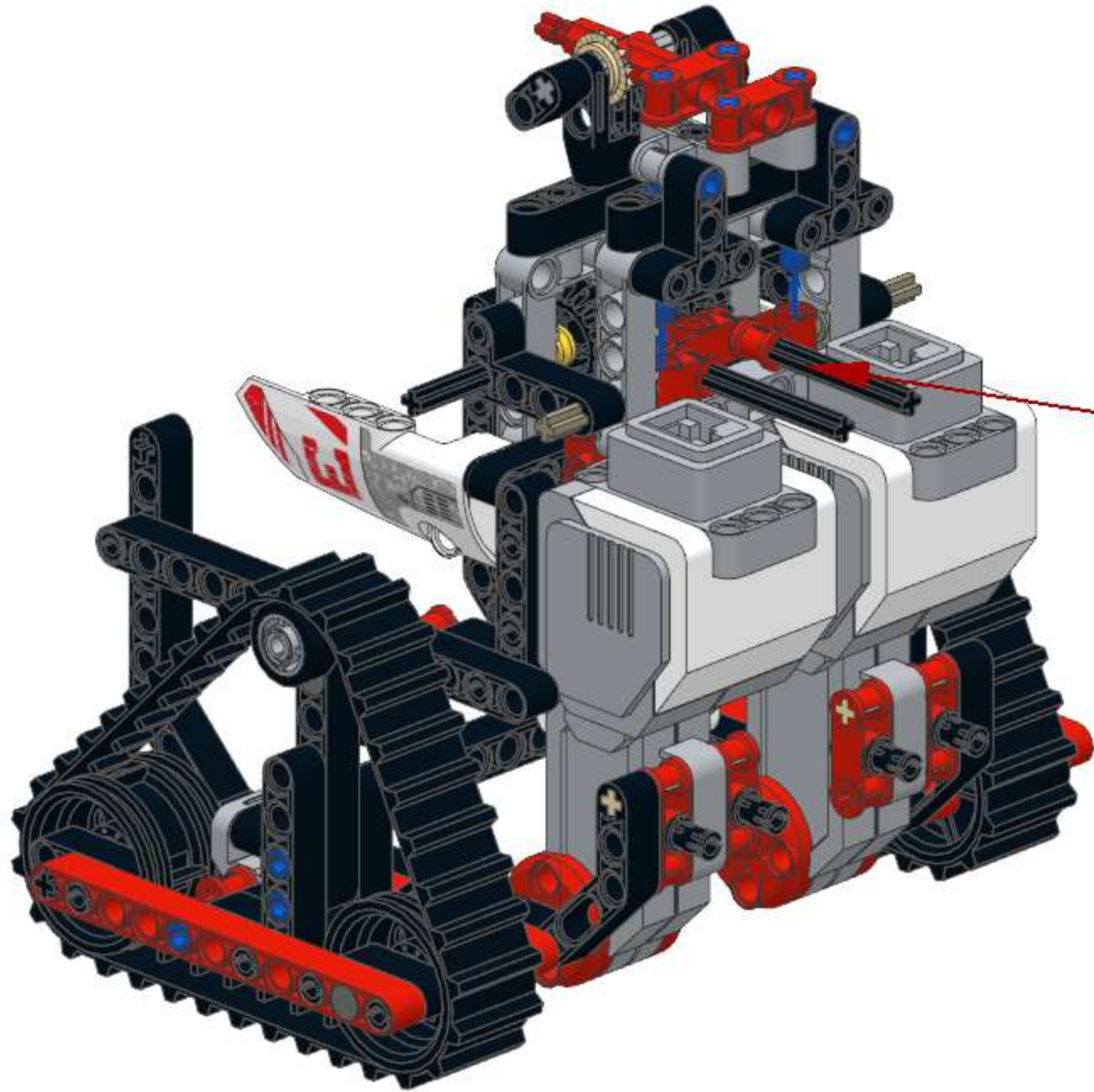
12





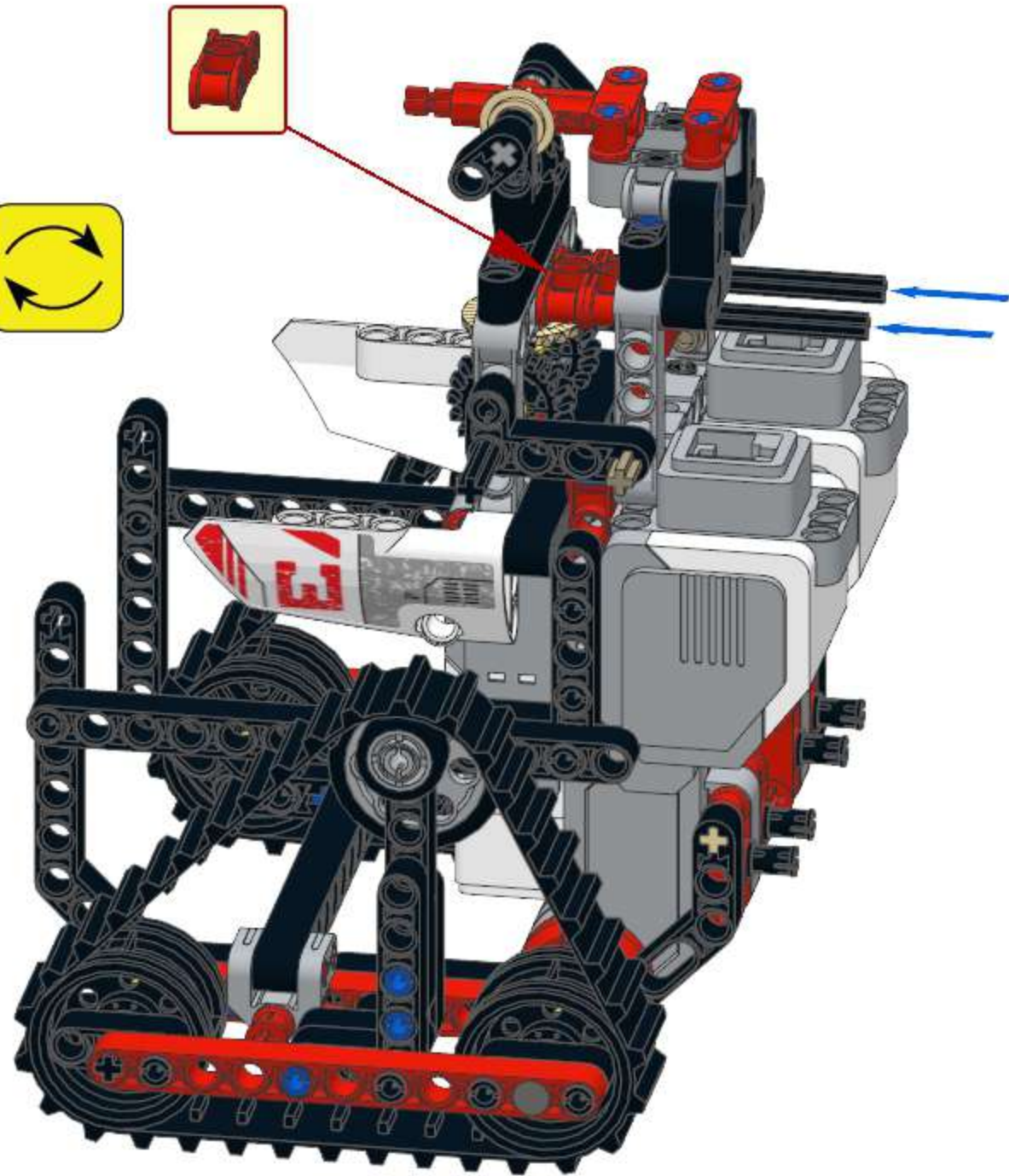
# 13

1x  6  
2x  2x  


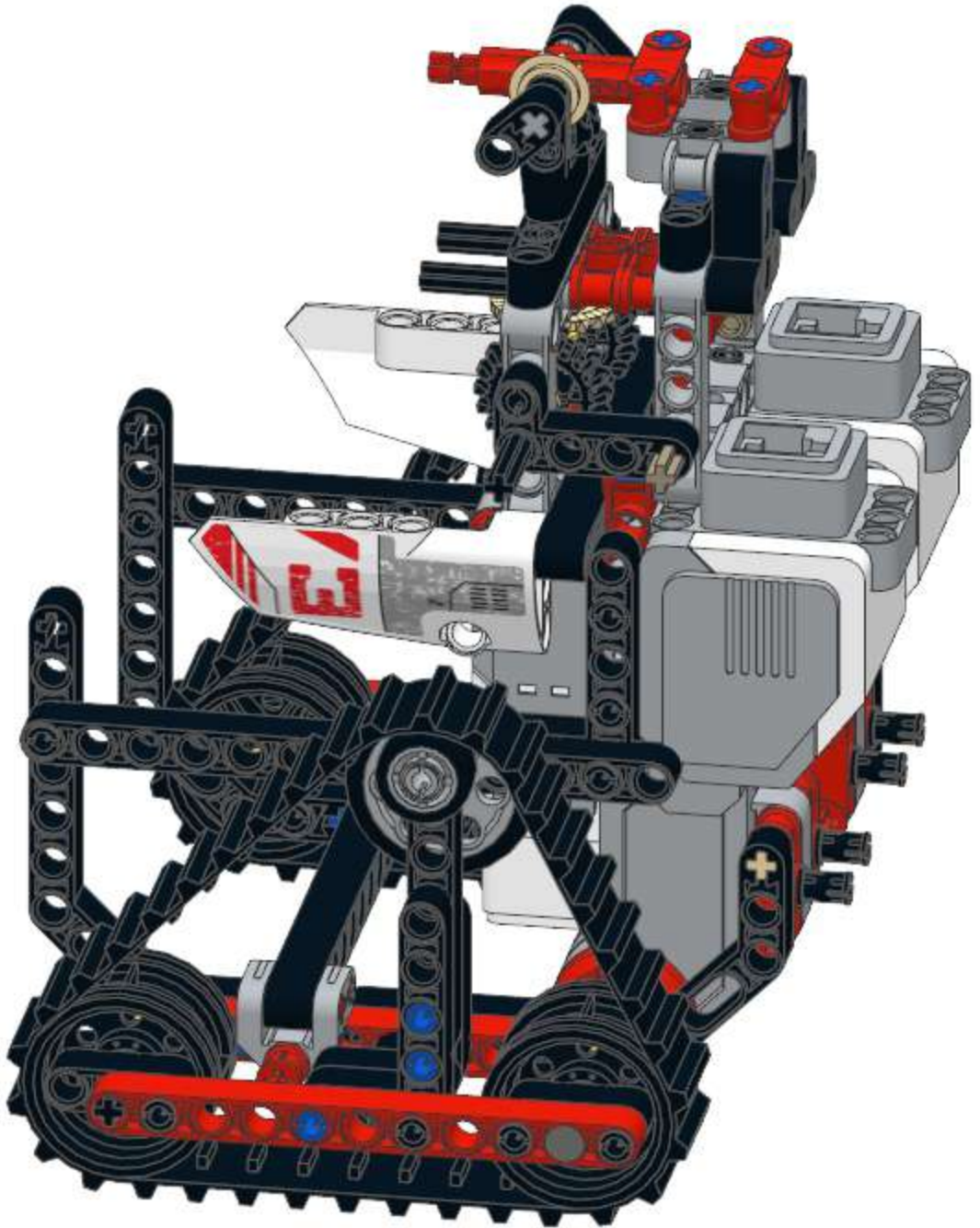


1   
2 

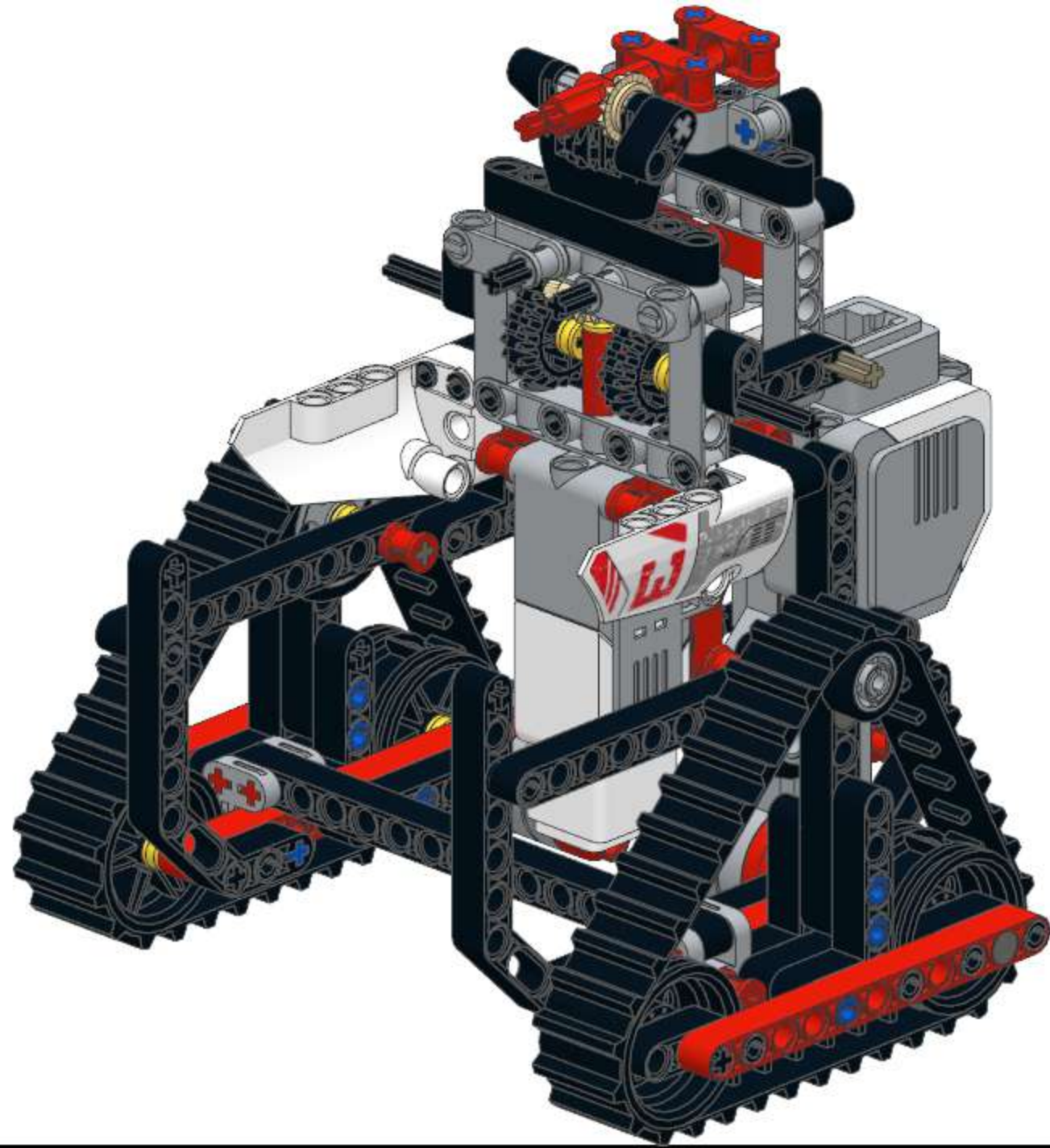
14



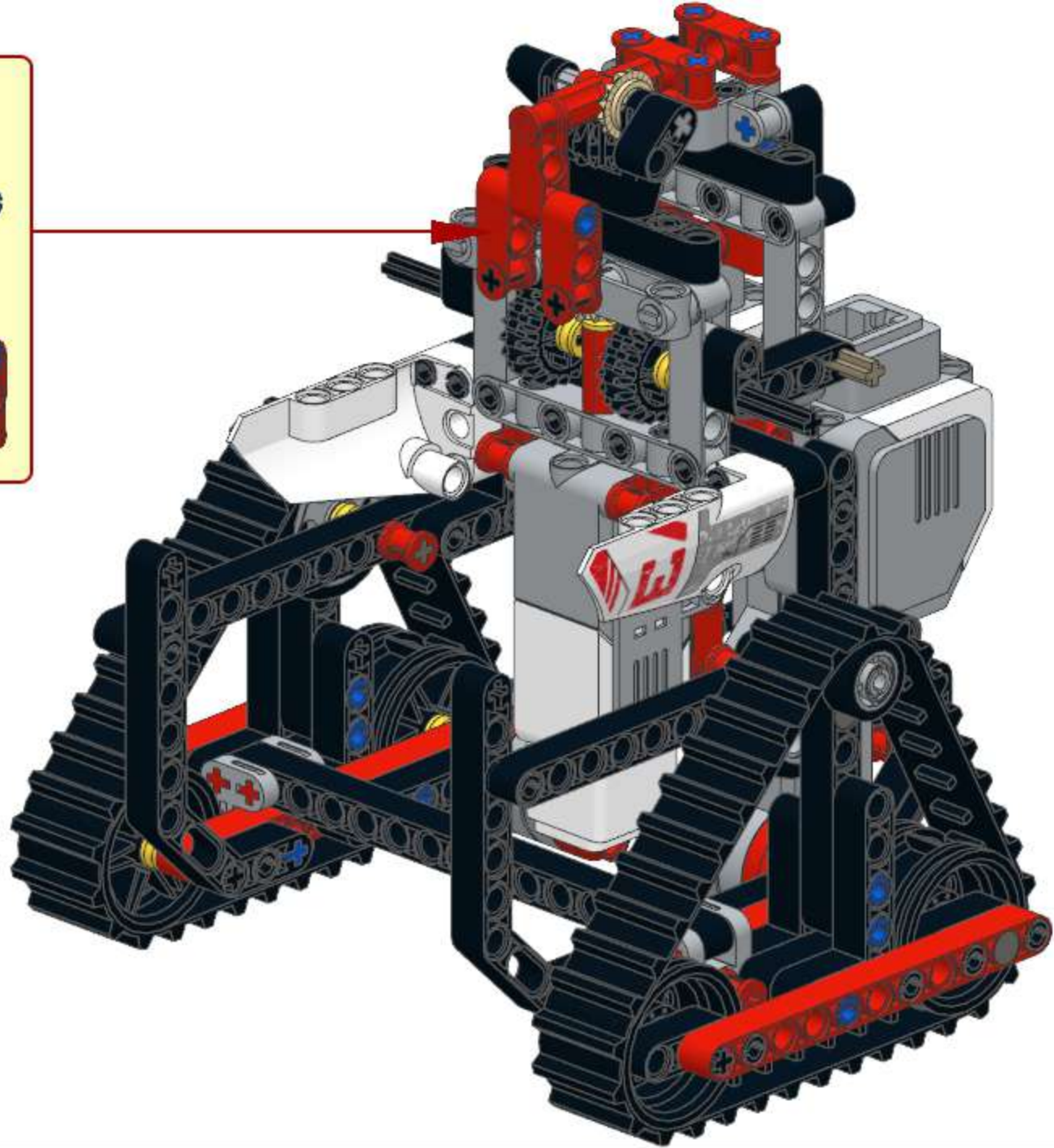
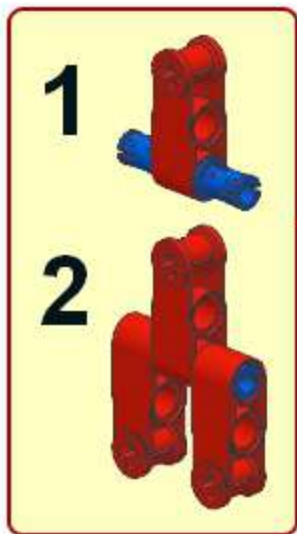
15

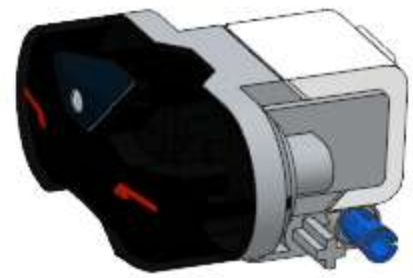
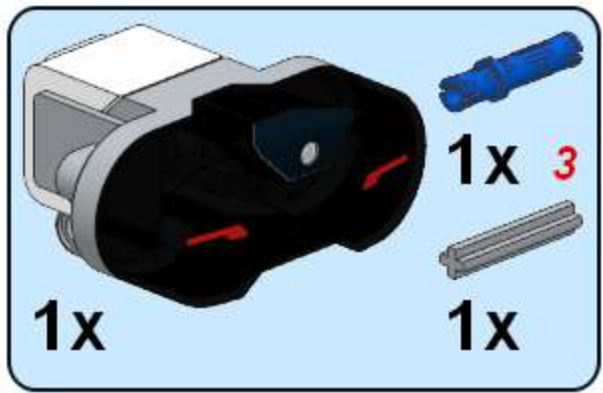


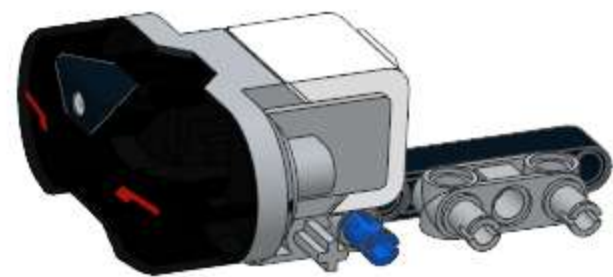
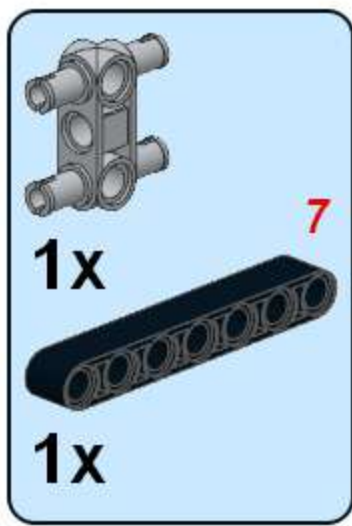
16

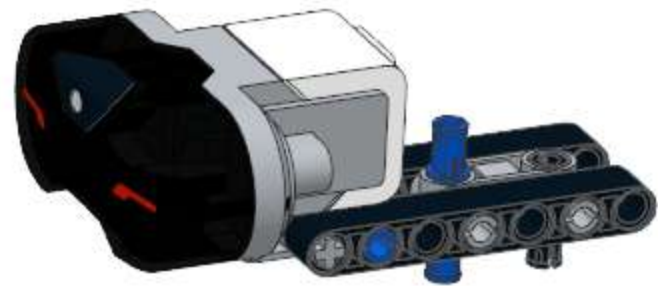


# 17

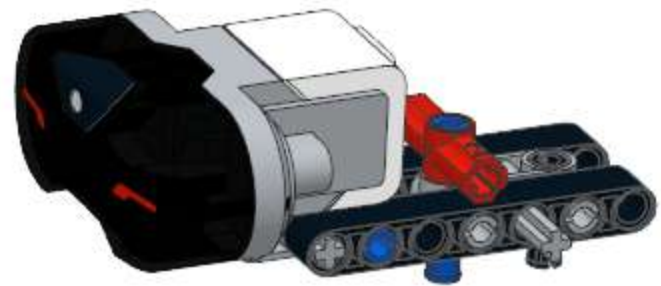
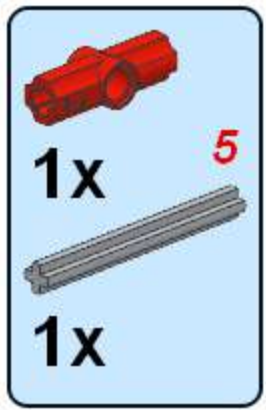


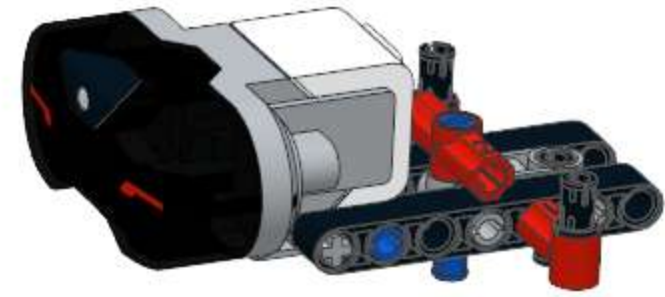


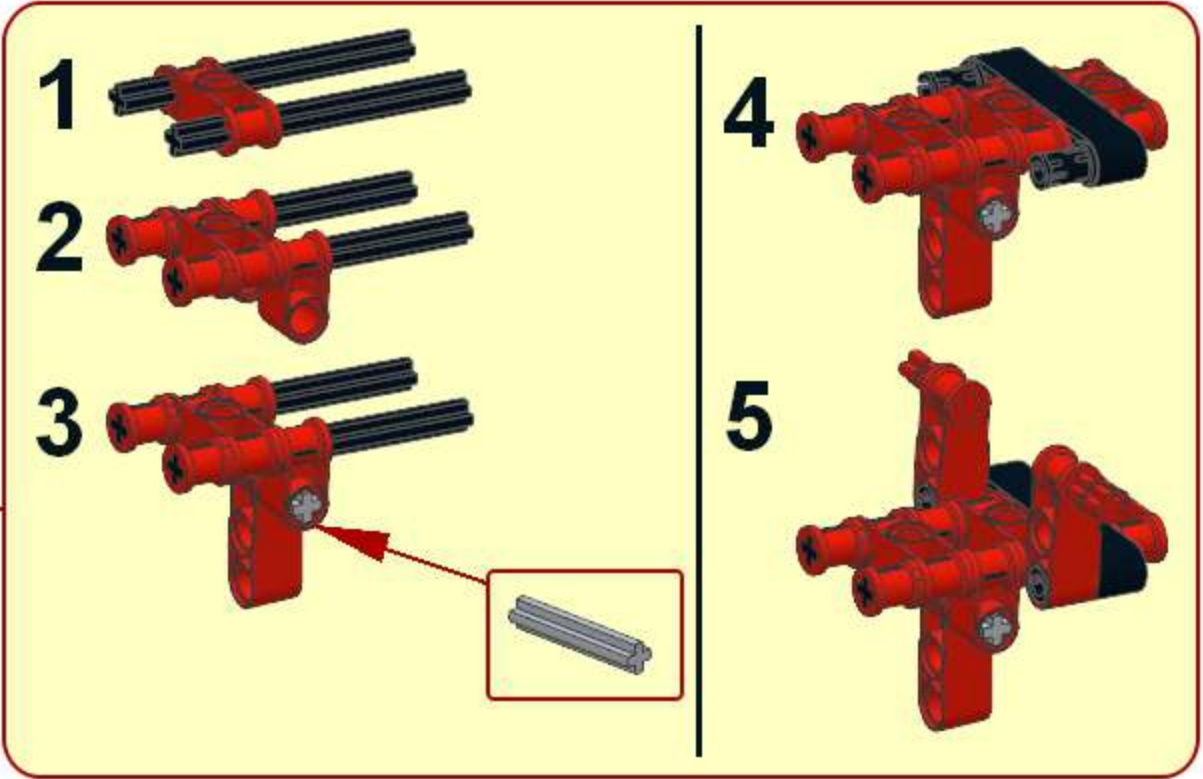
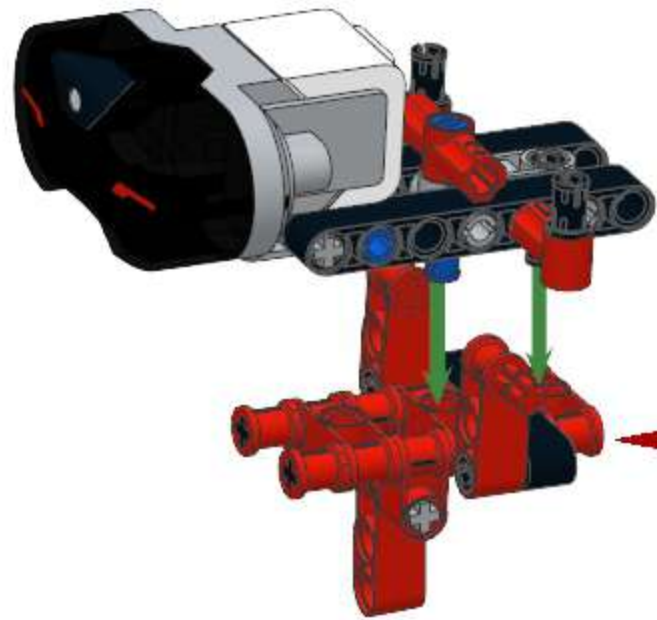
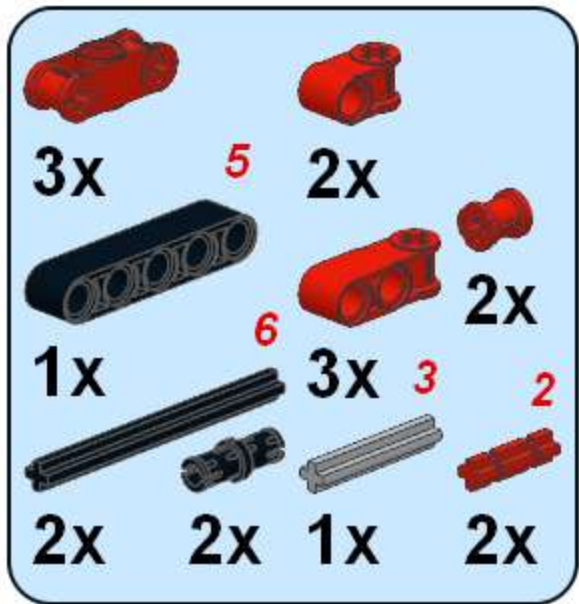


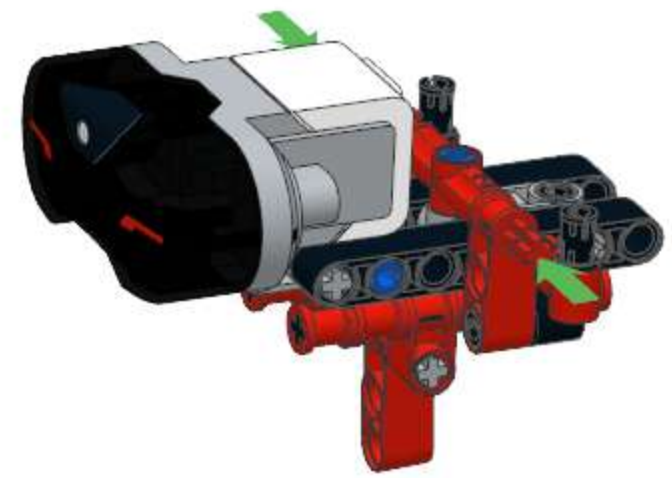












3x

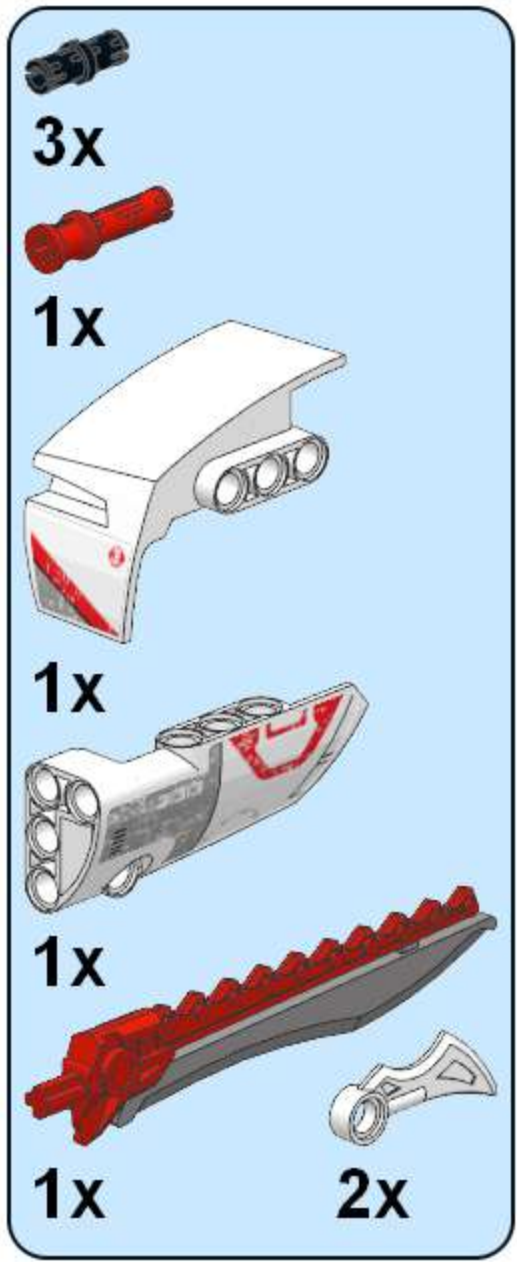
1x

1x

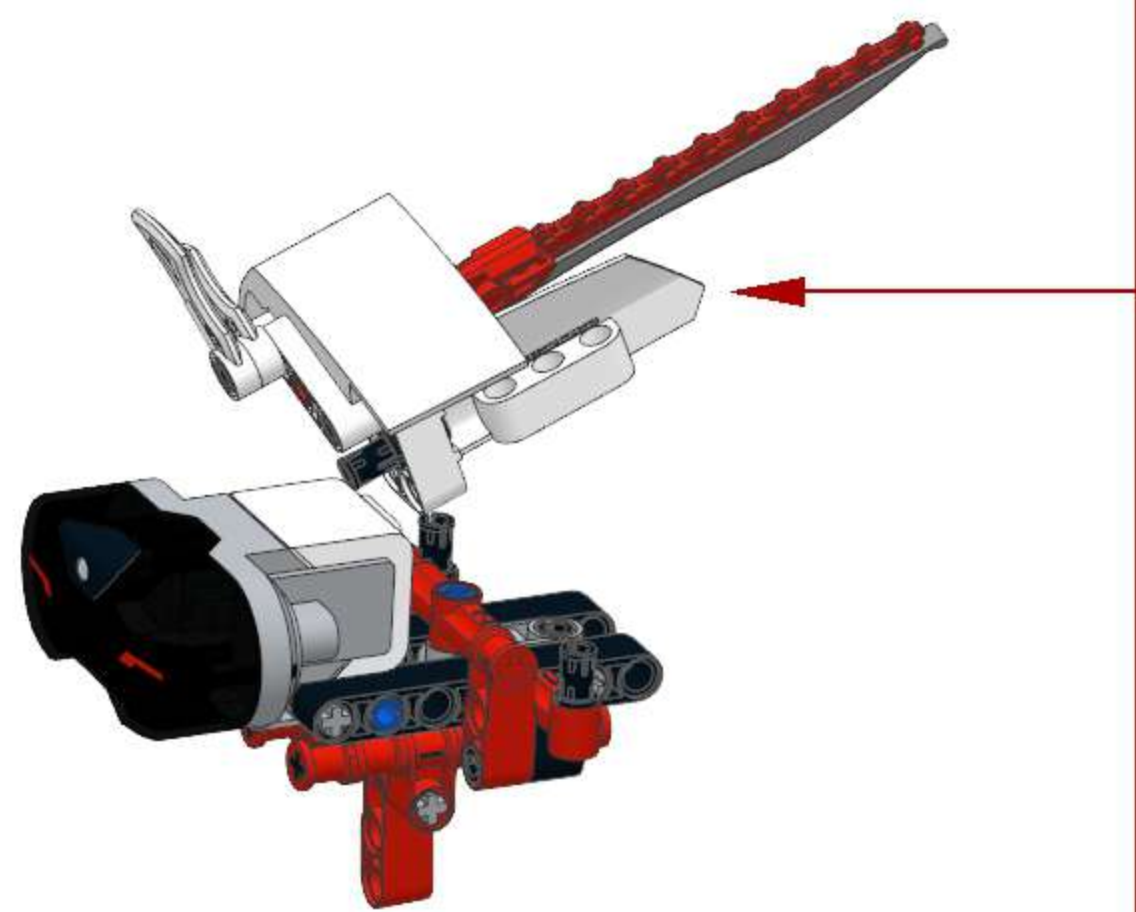
1x

1x

2x



A parts list for step 1, enclosed in a blue rounded rectangle. It includes: 3 black pins, 1 red pin, 1 white Technic piece with a red stripe, 1 white Technic piece with a red stripe, 1 red Technic beam with a grey blade and red studs, and 2 white Technic pins.

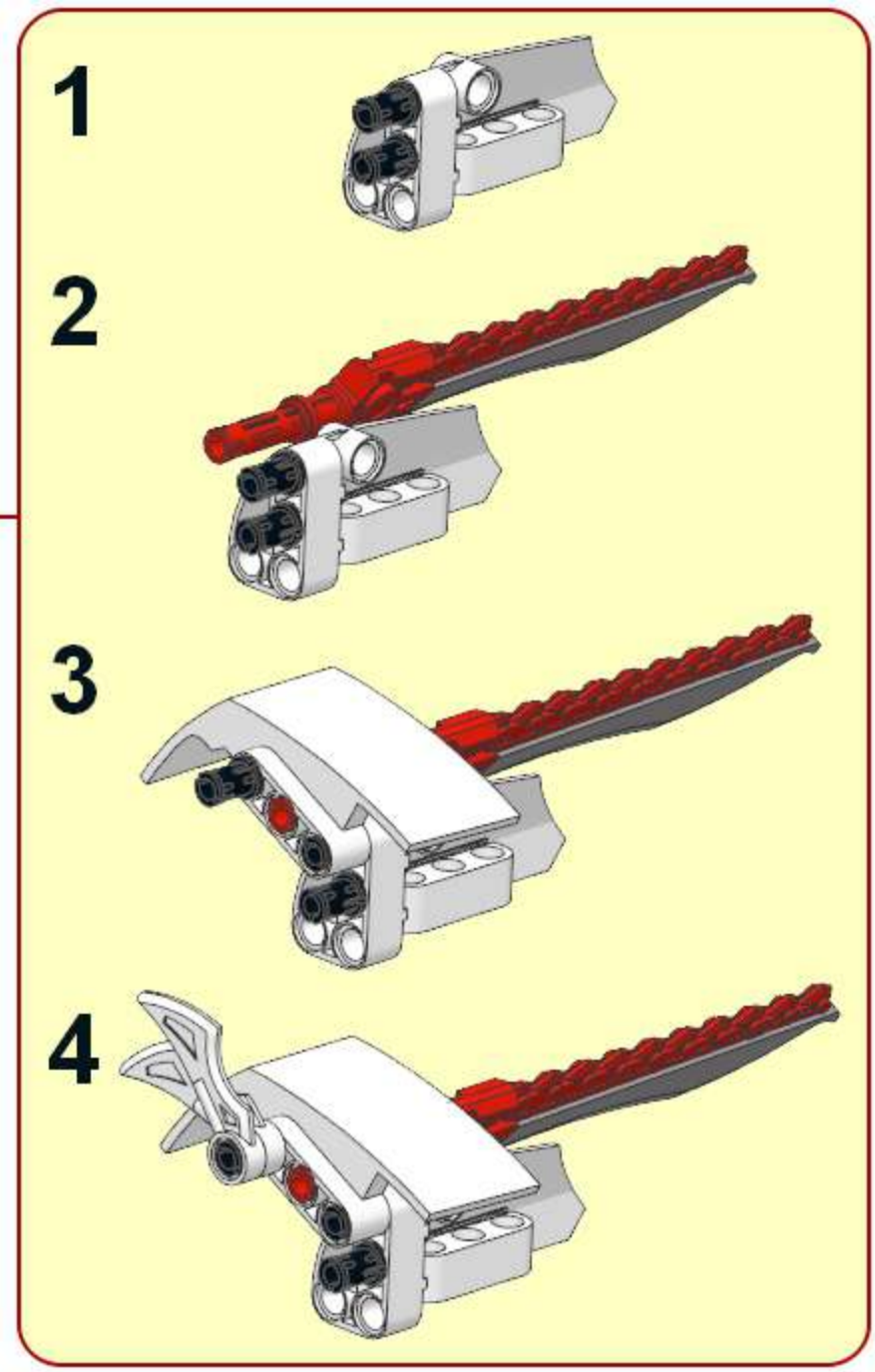


1

2

3

4



A series of four numbered steps (1-4) showing the assembly of a white Technic piece onto a red beam with a grey blade and red studs. The steps are enclosed in a yellow rounded rectangle. Step 1 shows the white piece being positioned. Step 2 shows the red pin being inserted. Step 3 shows the white piece being pushed down. Step 4 shows the final assembly with the white piece fully attached.

3x

1x

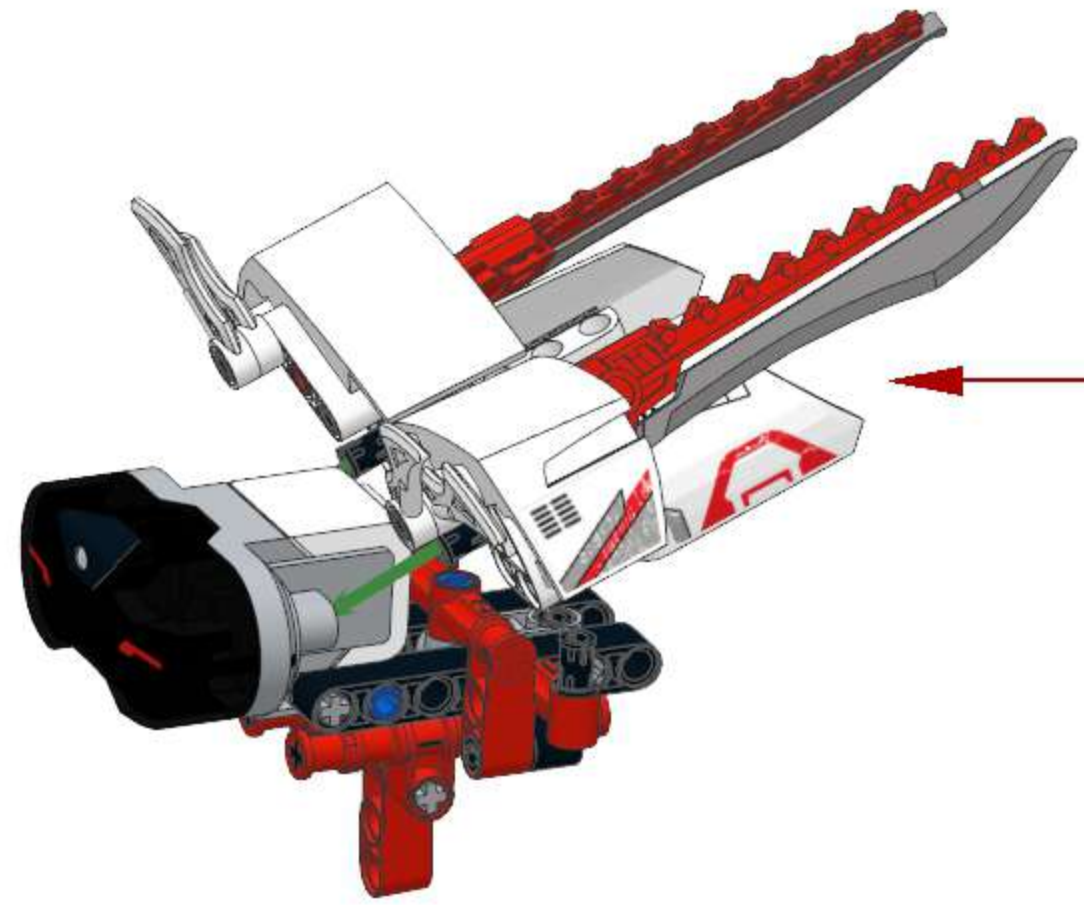
1x

1x

1x

1x

2x

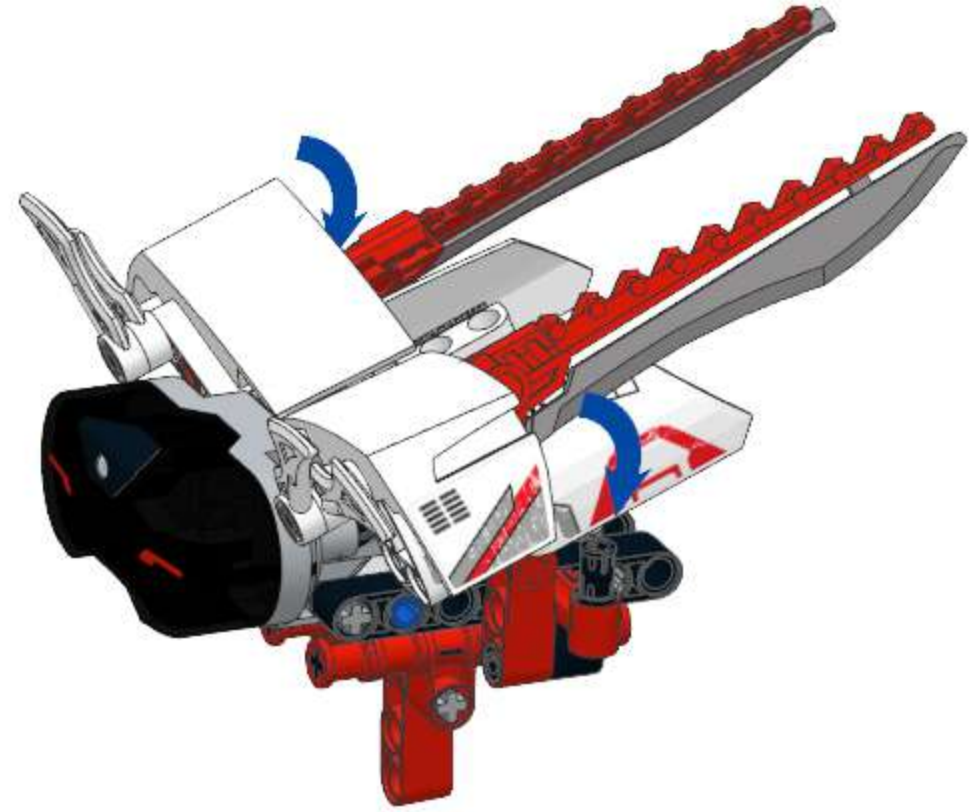


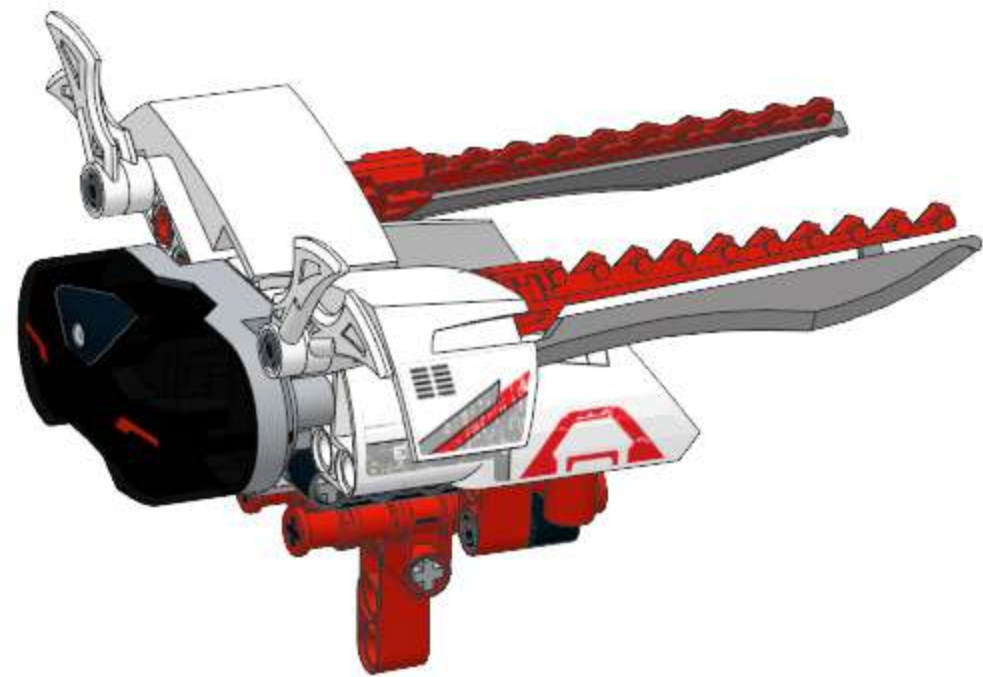
1

2






3



4

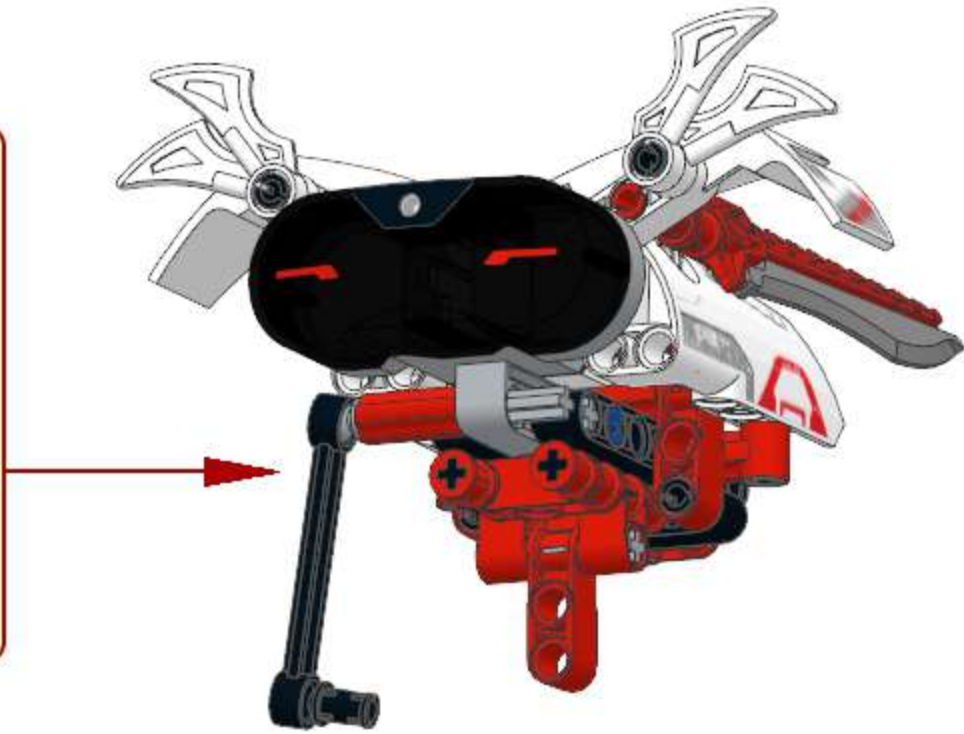


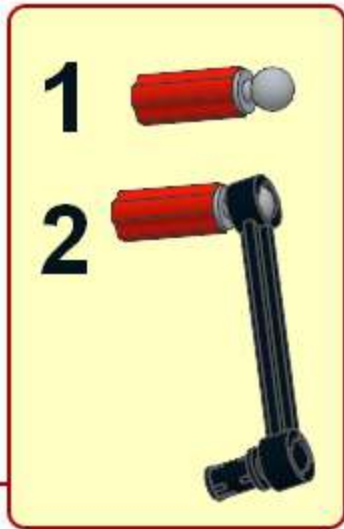
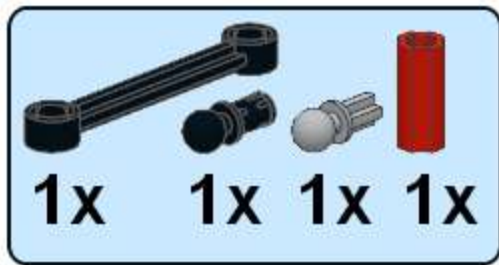






- 1x 
- 1x 
- 1x <sup>3</sup> 
- 1x 
- 1x 

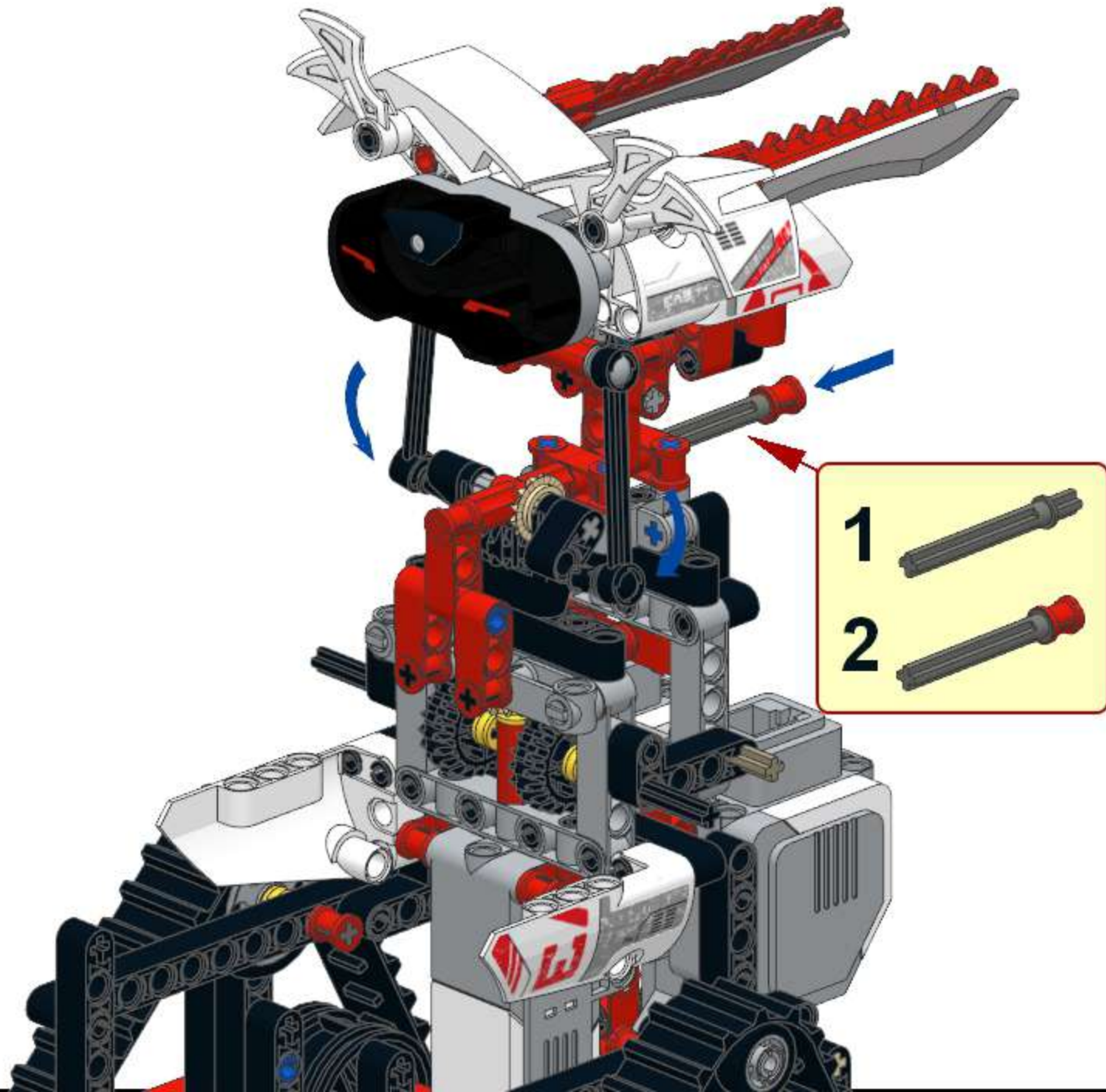
- 1 
- 2 



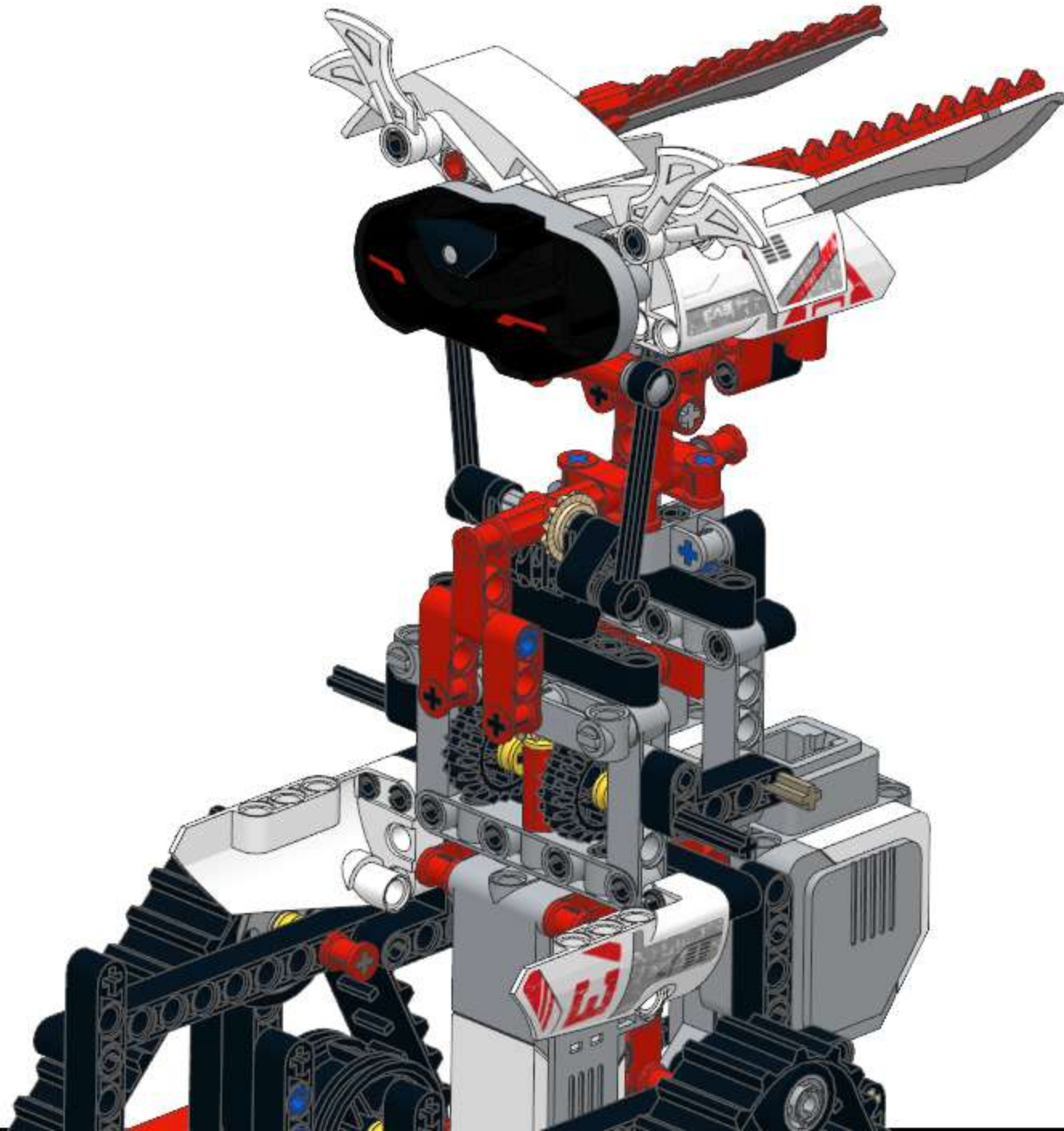


# 18

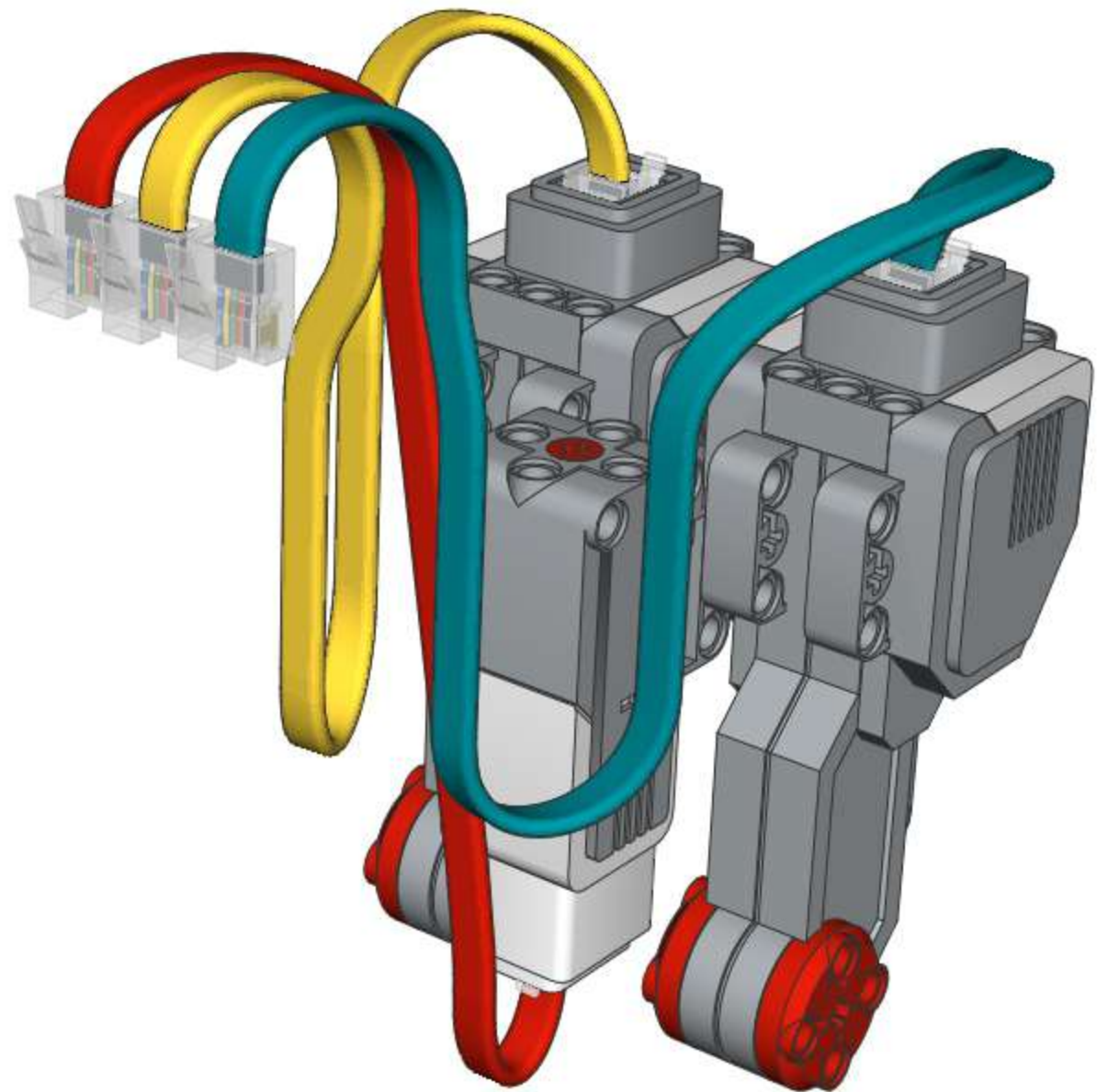
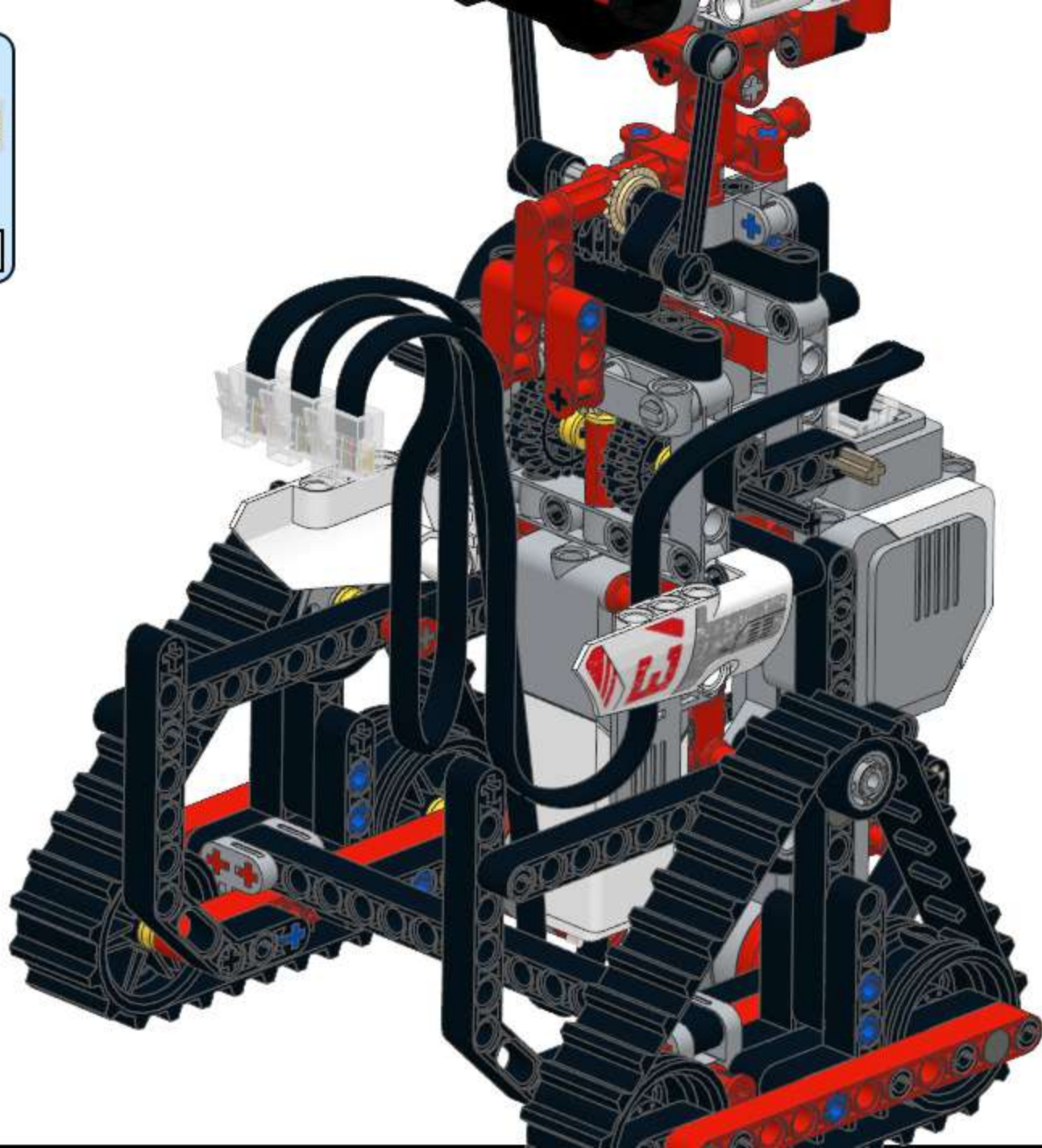
1x  5  
1x 



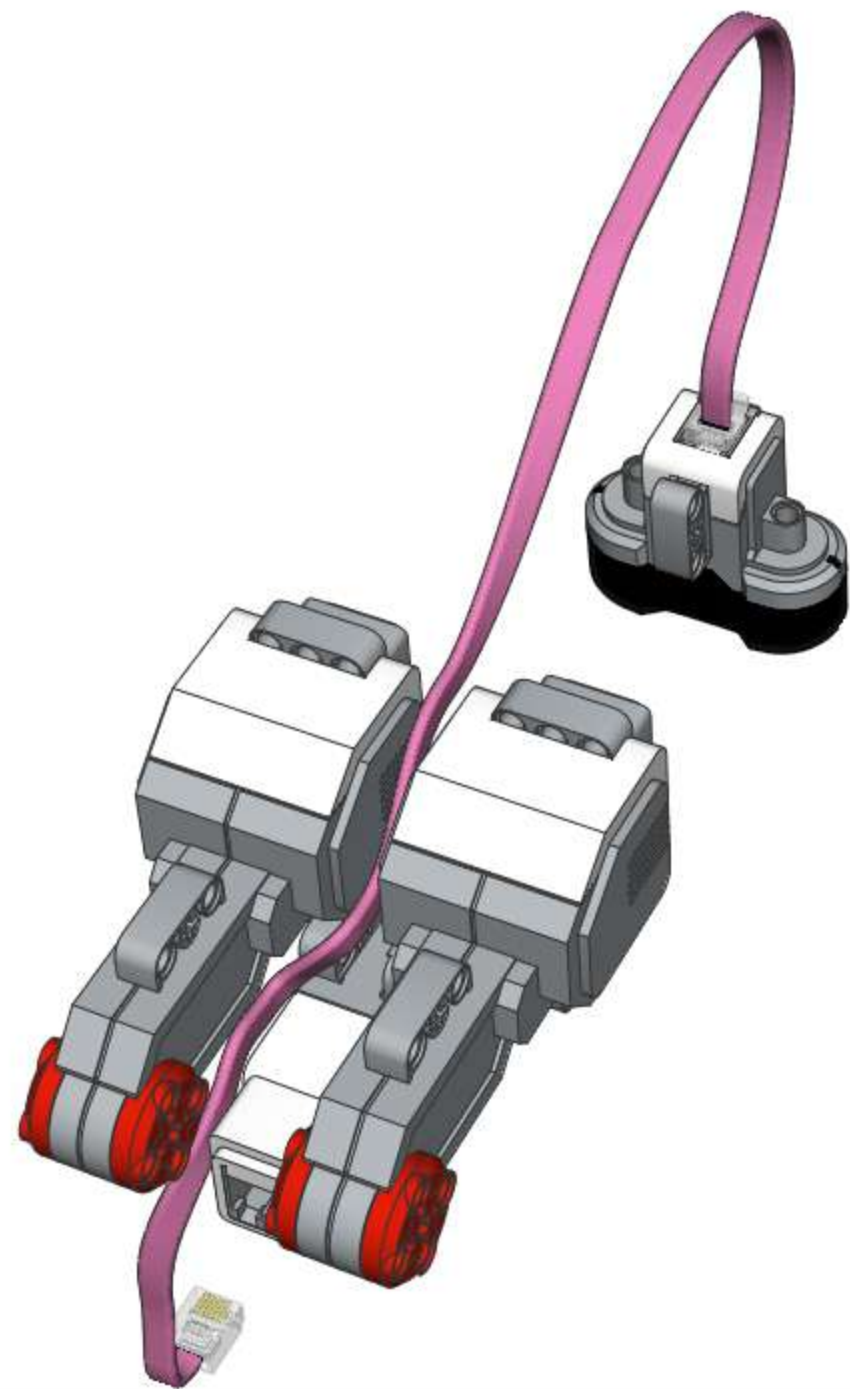
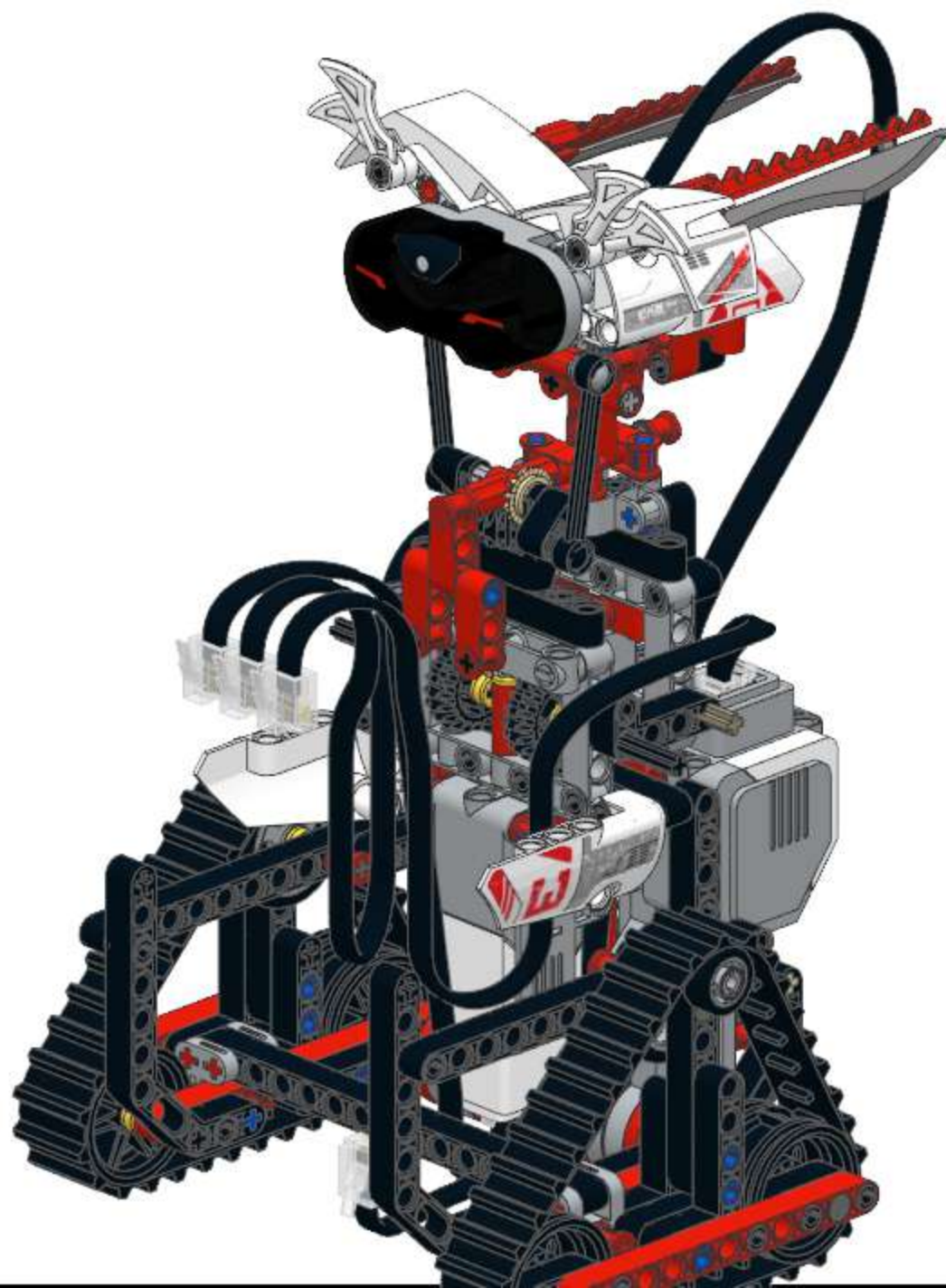
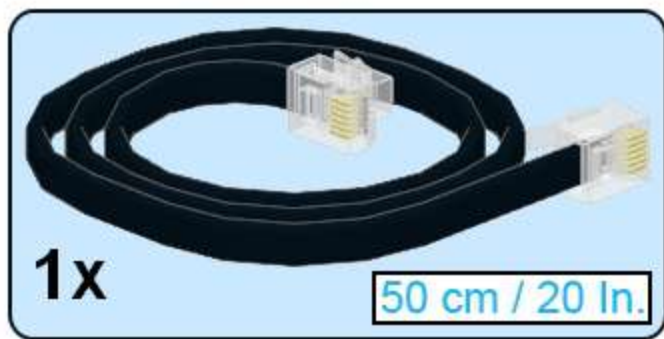
19



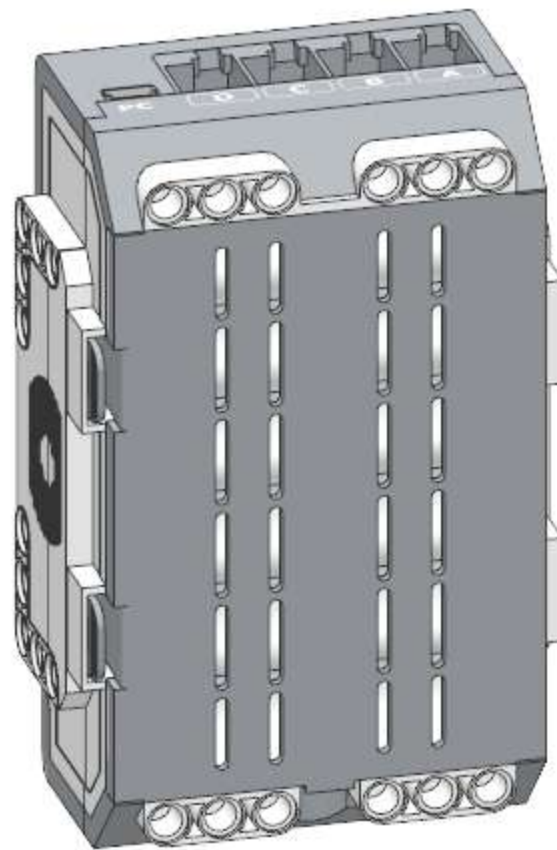
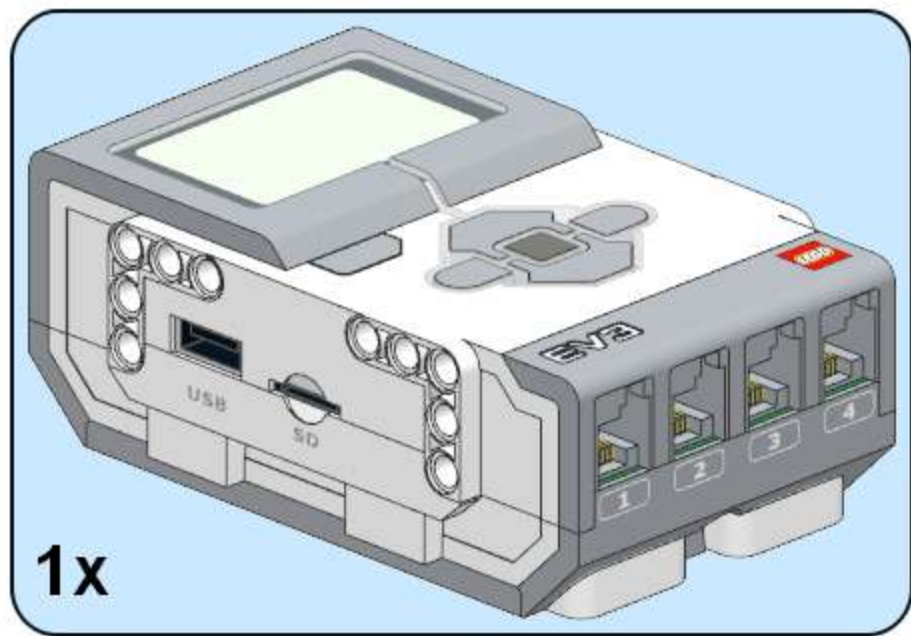
20



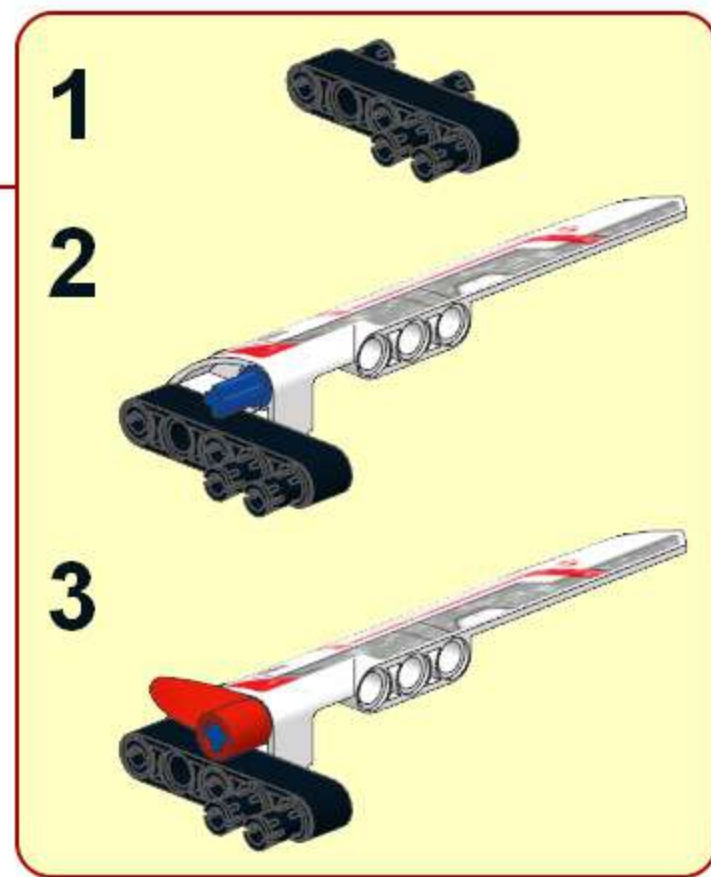
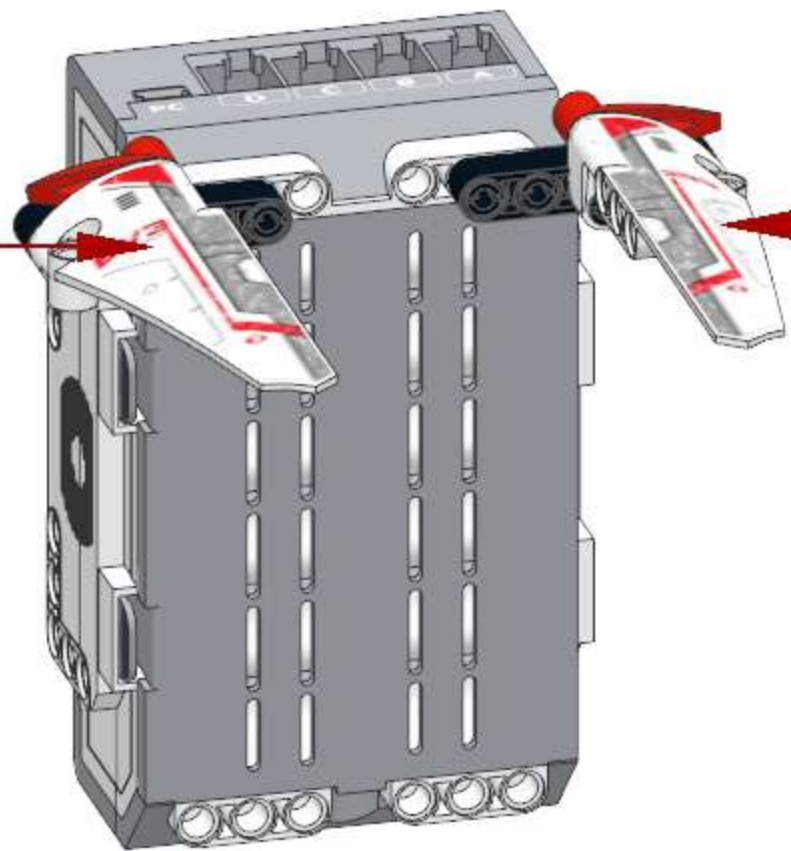
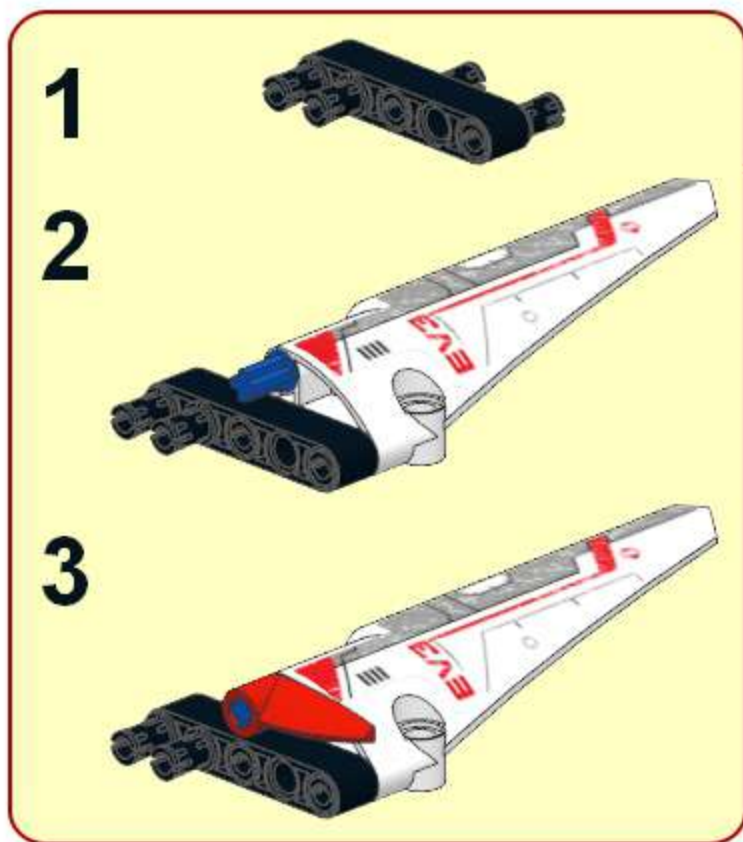
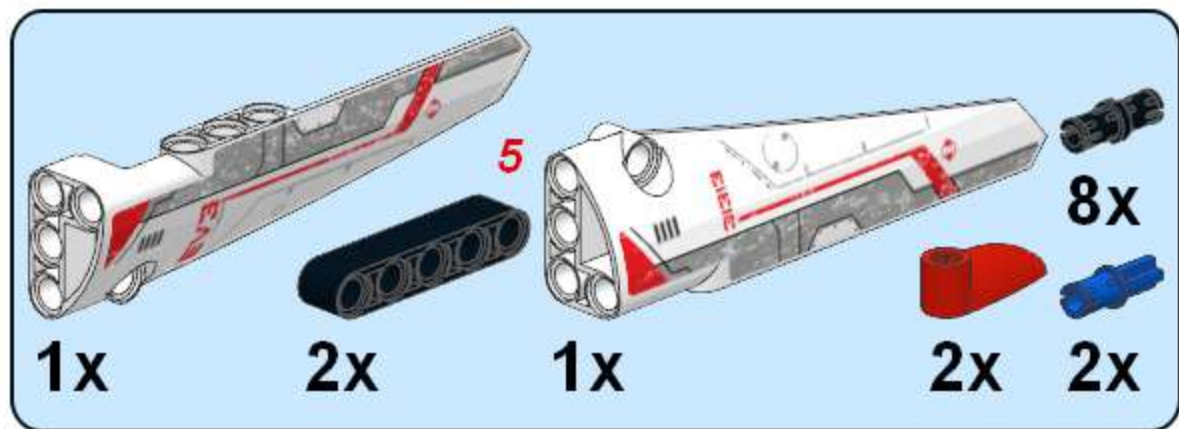
21



1

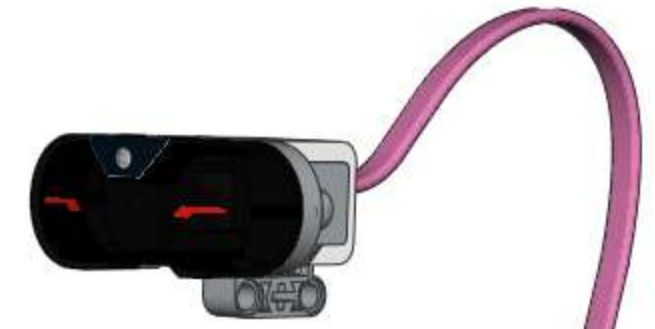
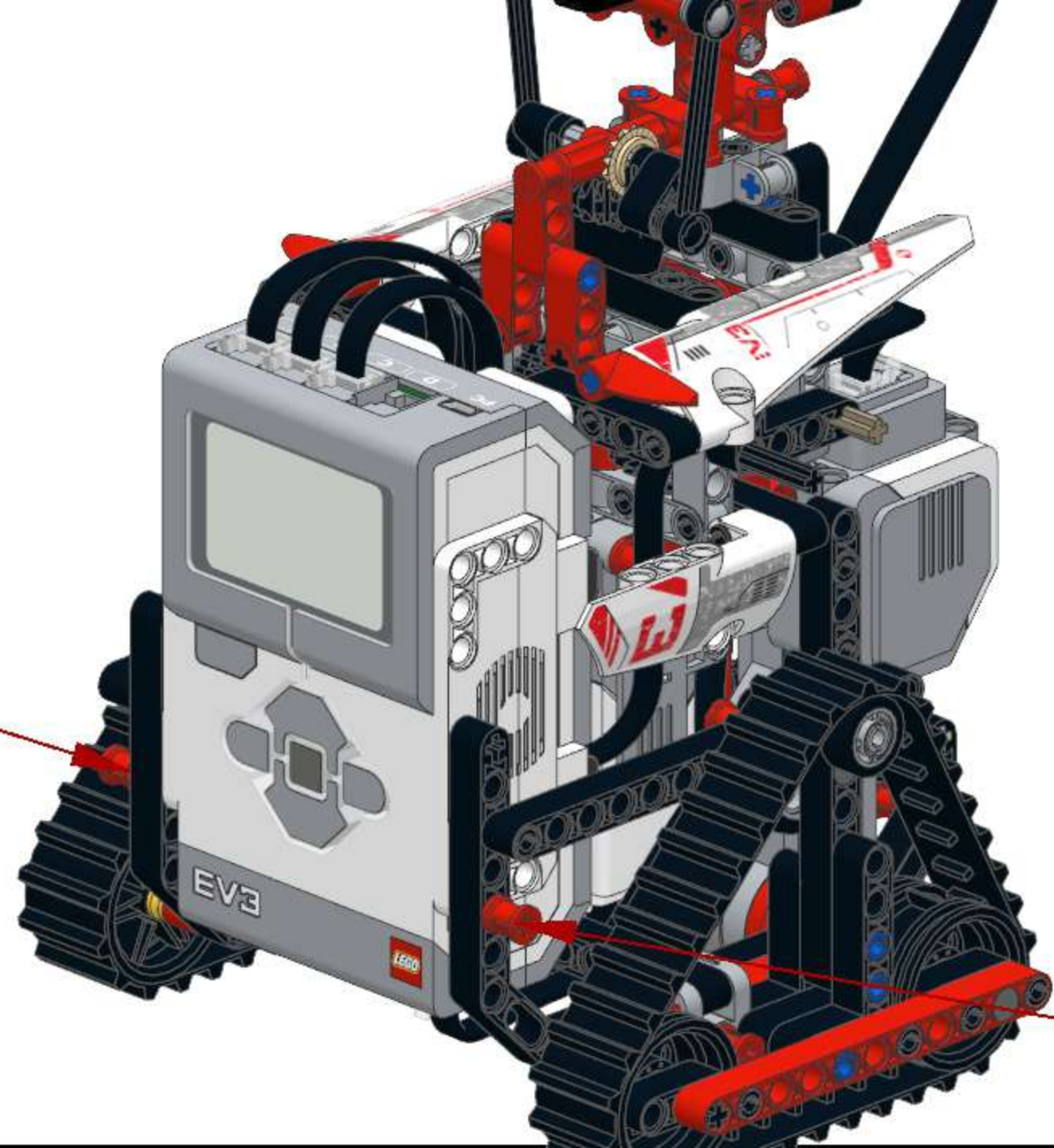


# 2

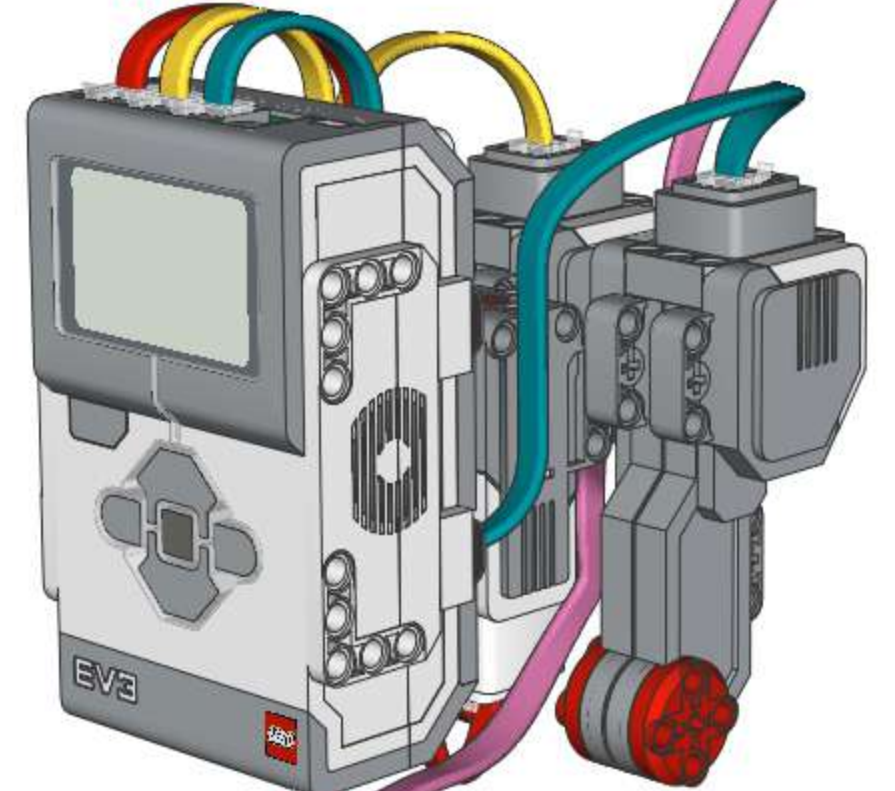




22

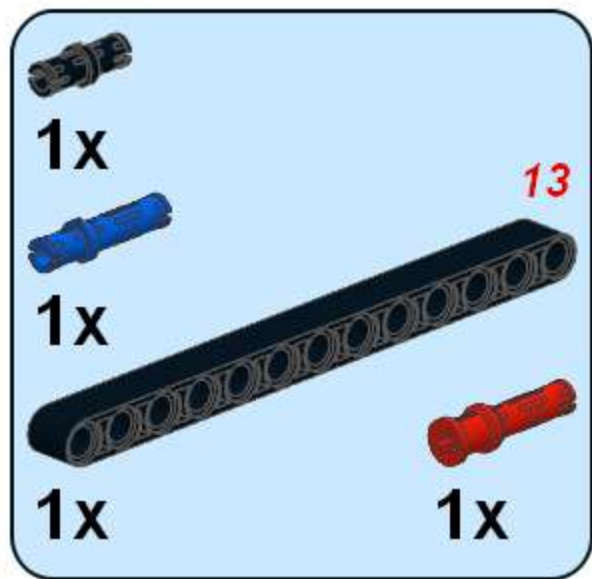


A B C

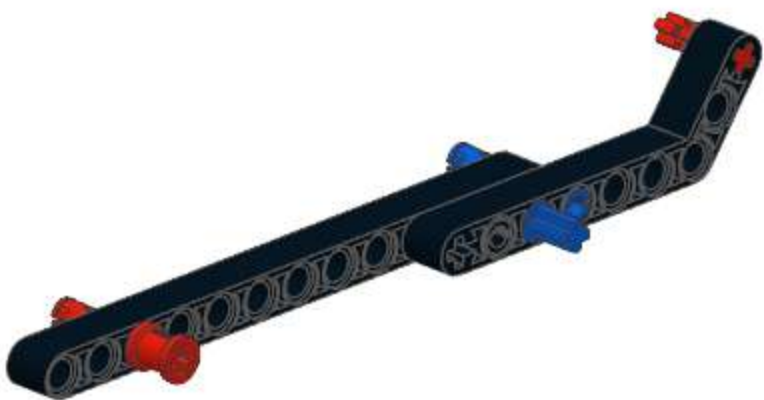
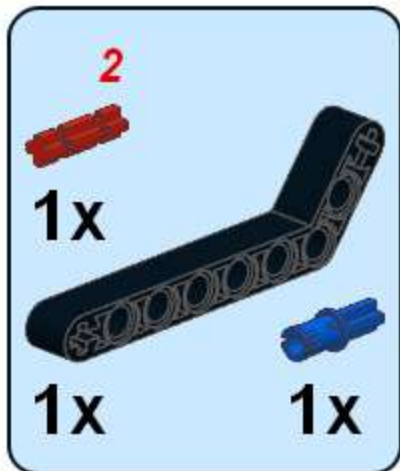


4

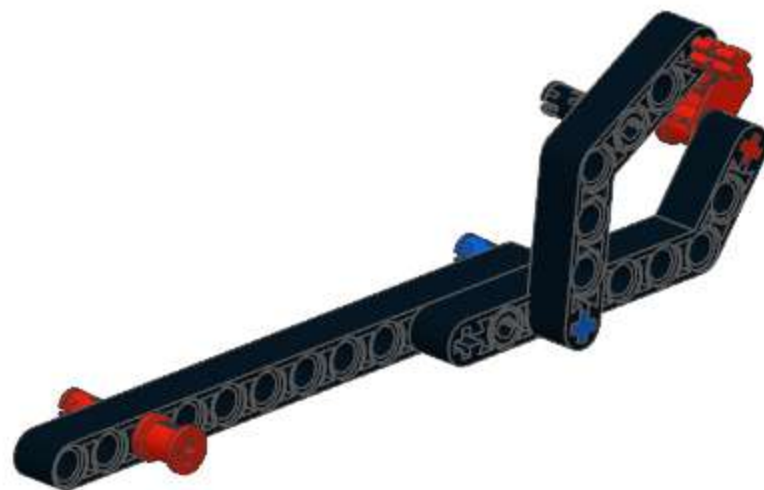
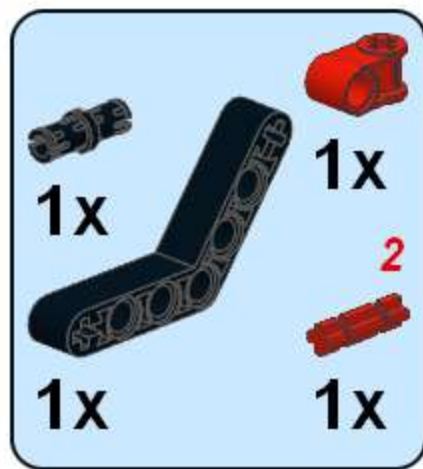
1







2

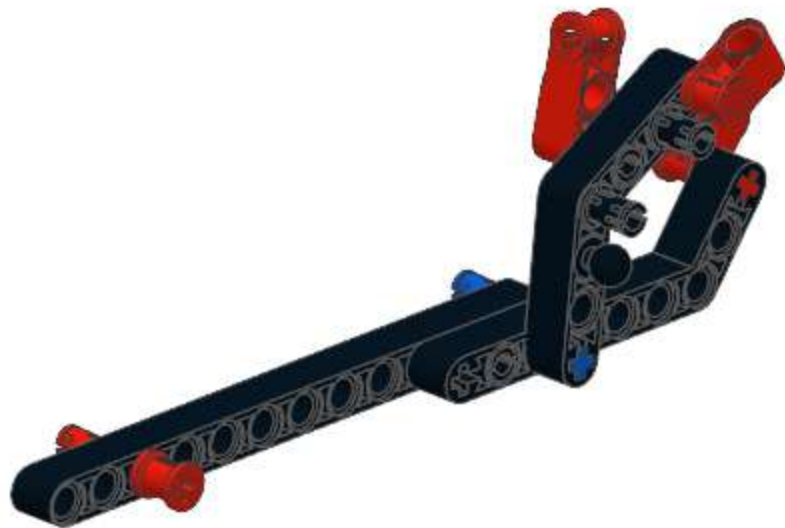


3

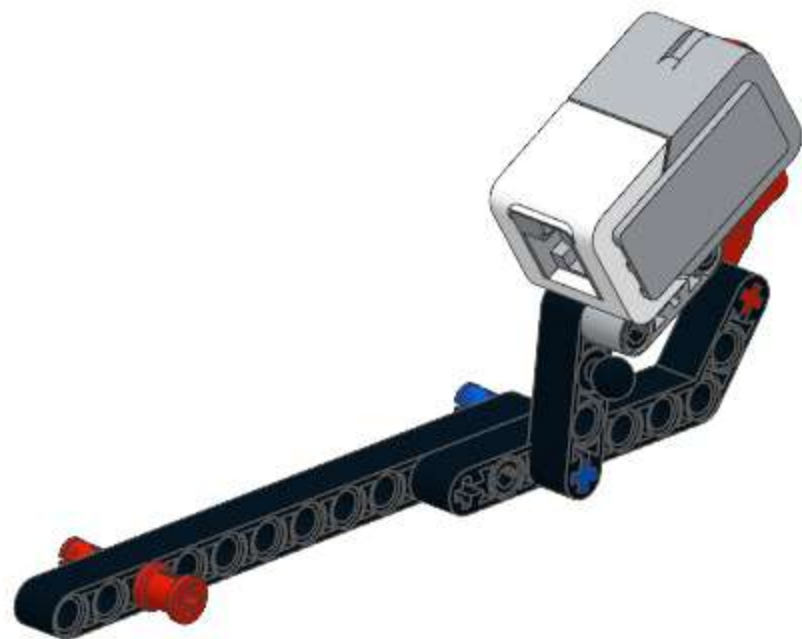
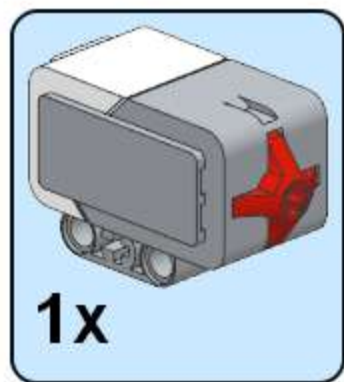


4

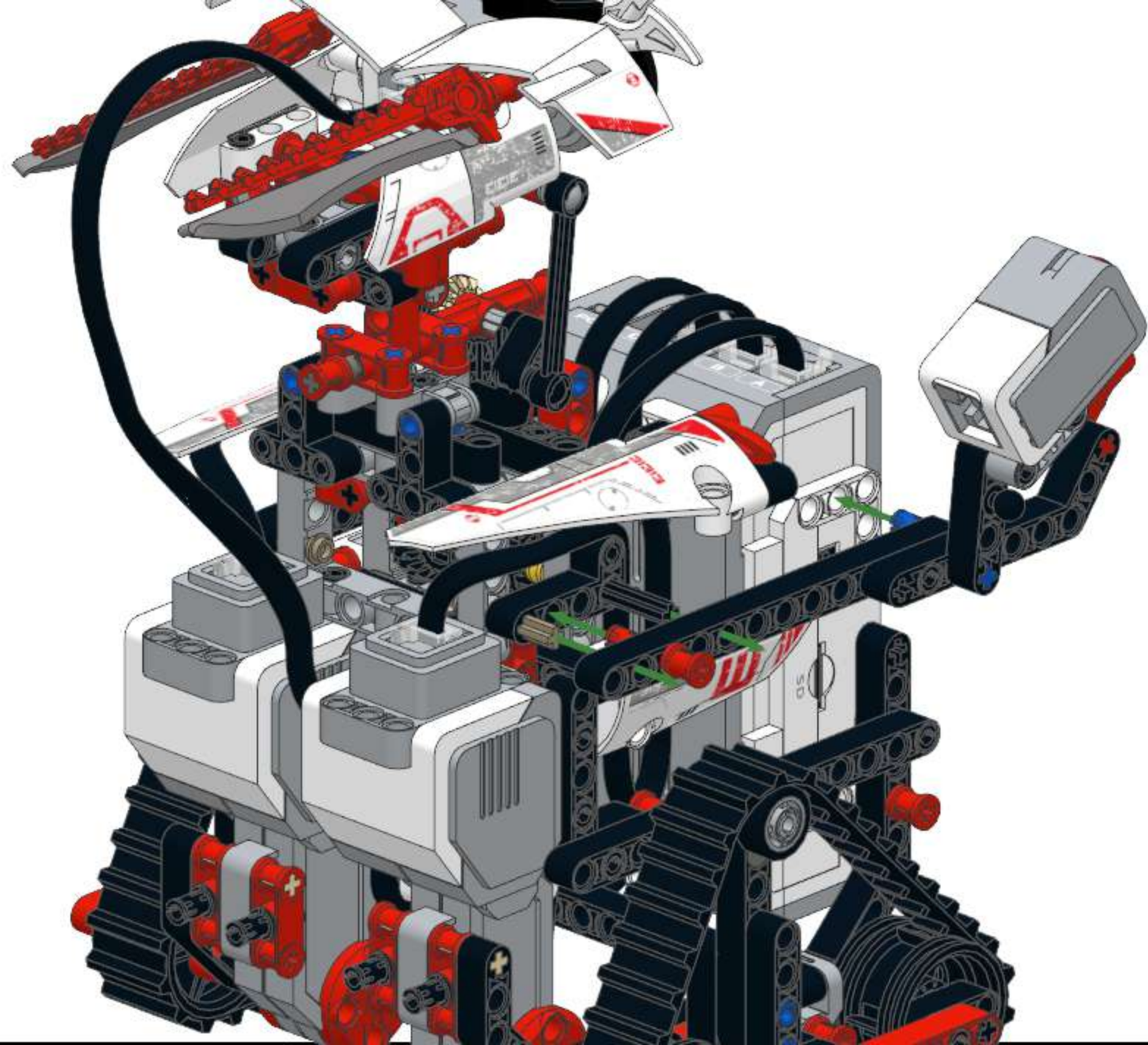
 1x	 1x
 1x	 2x



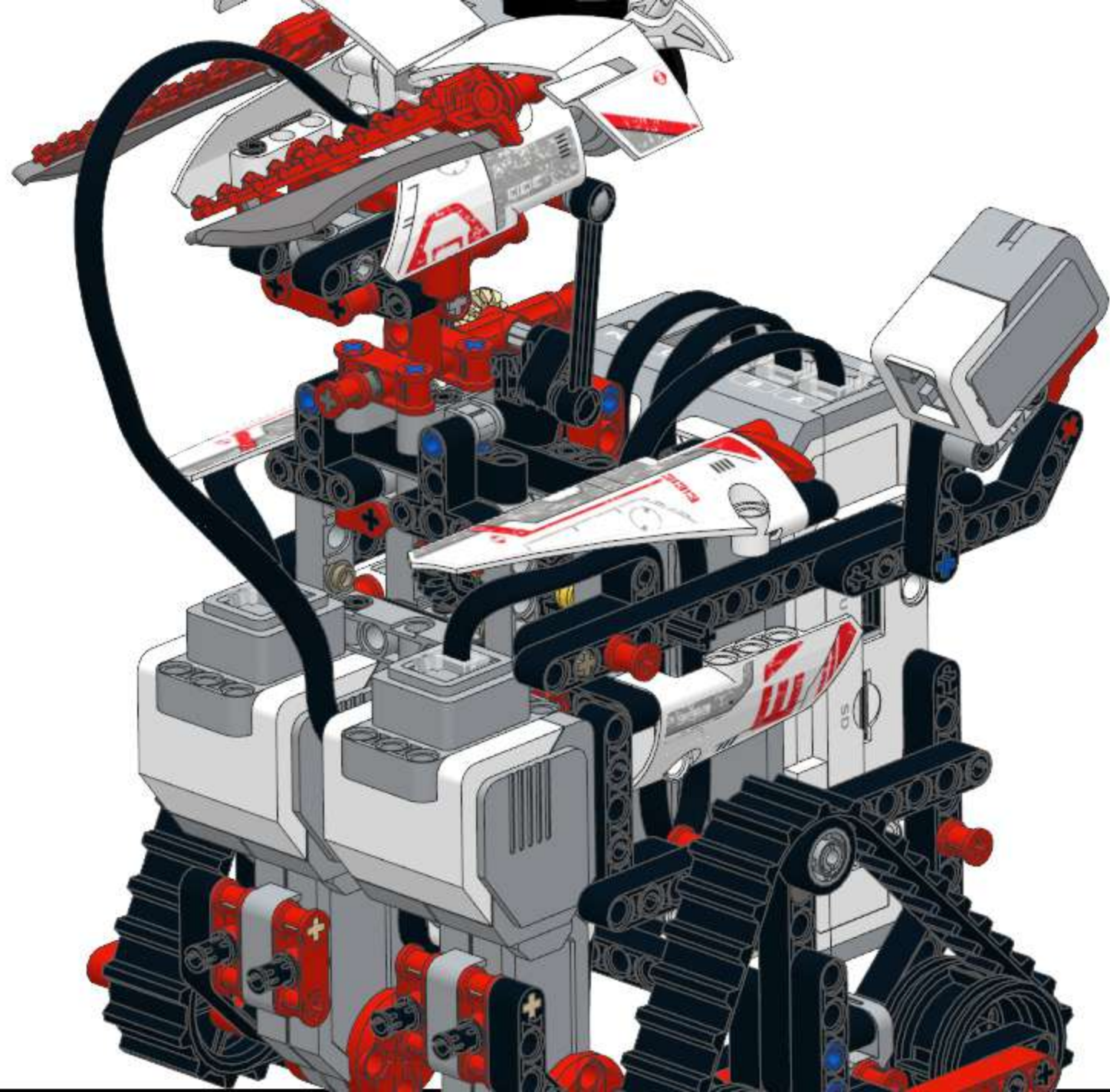
5



23

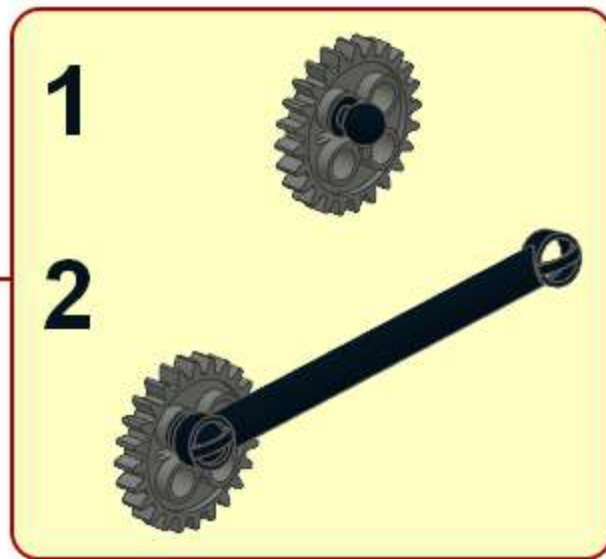
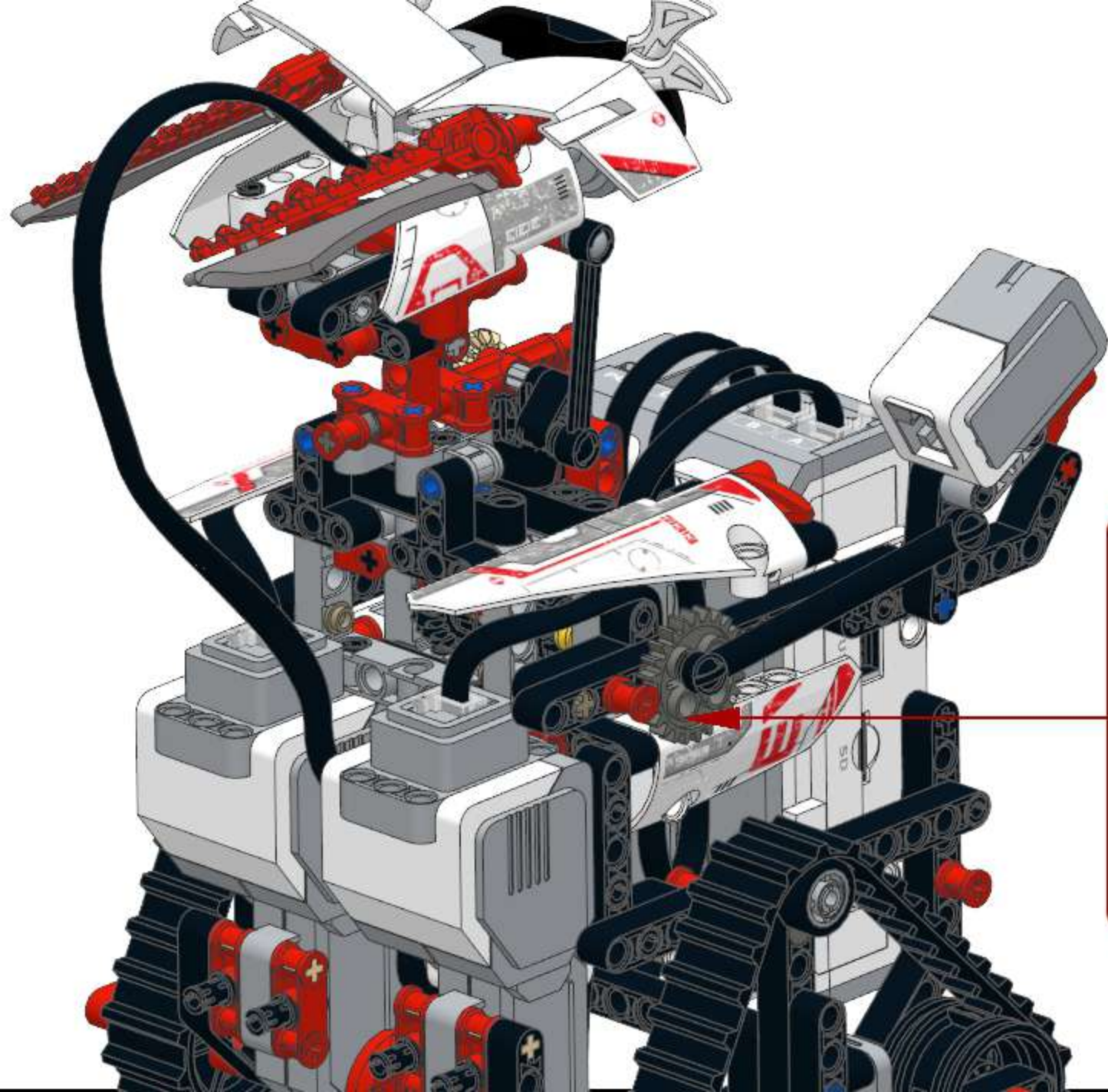


24

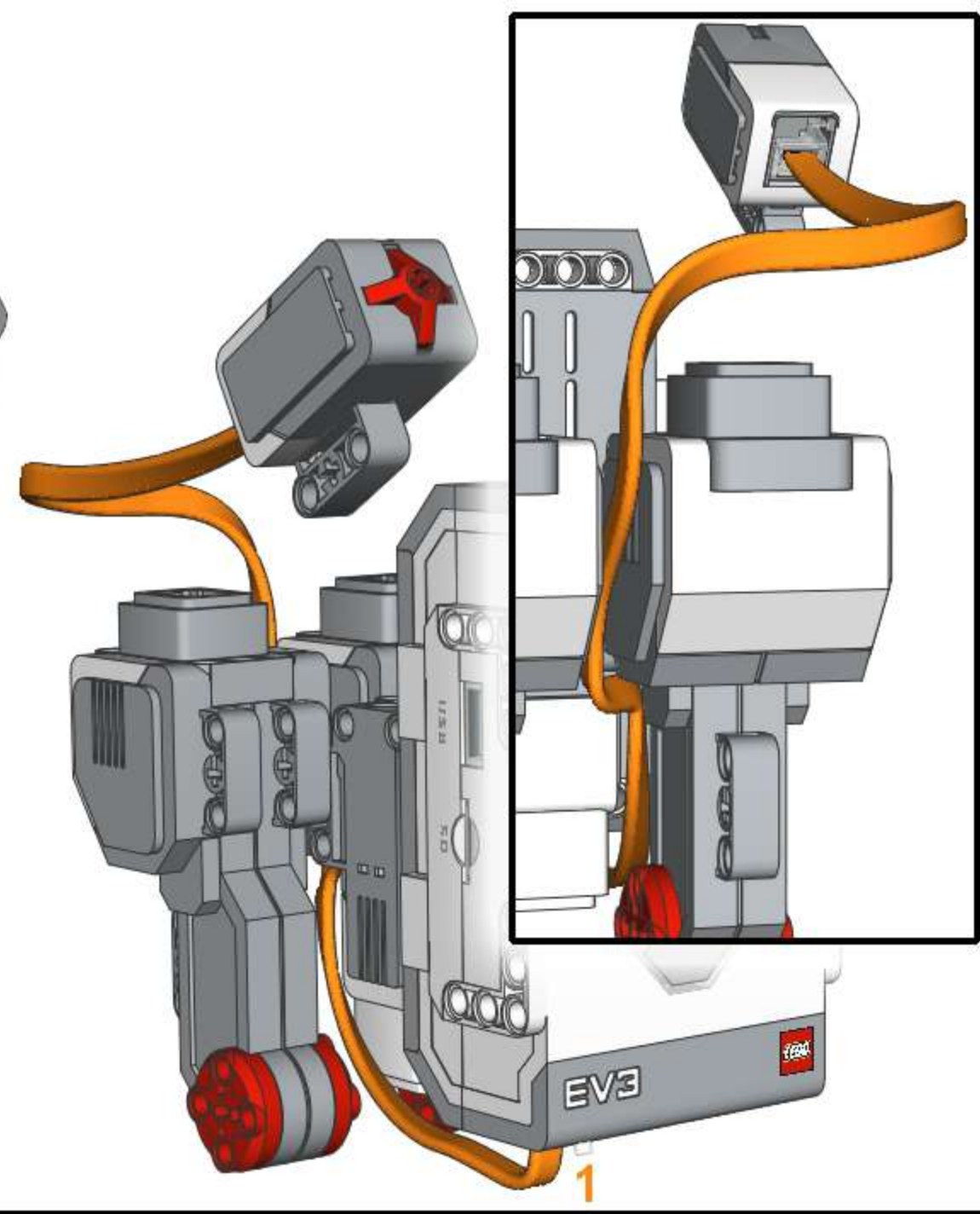
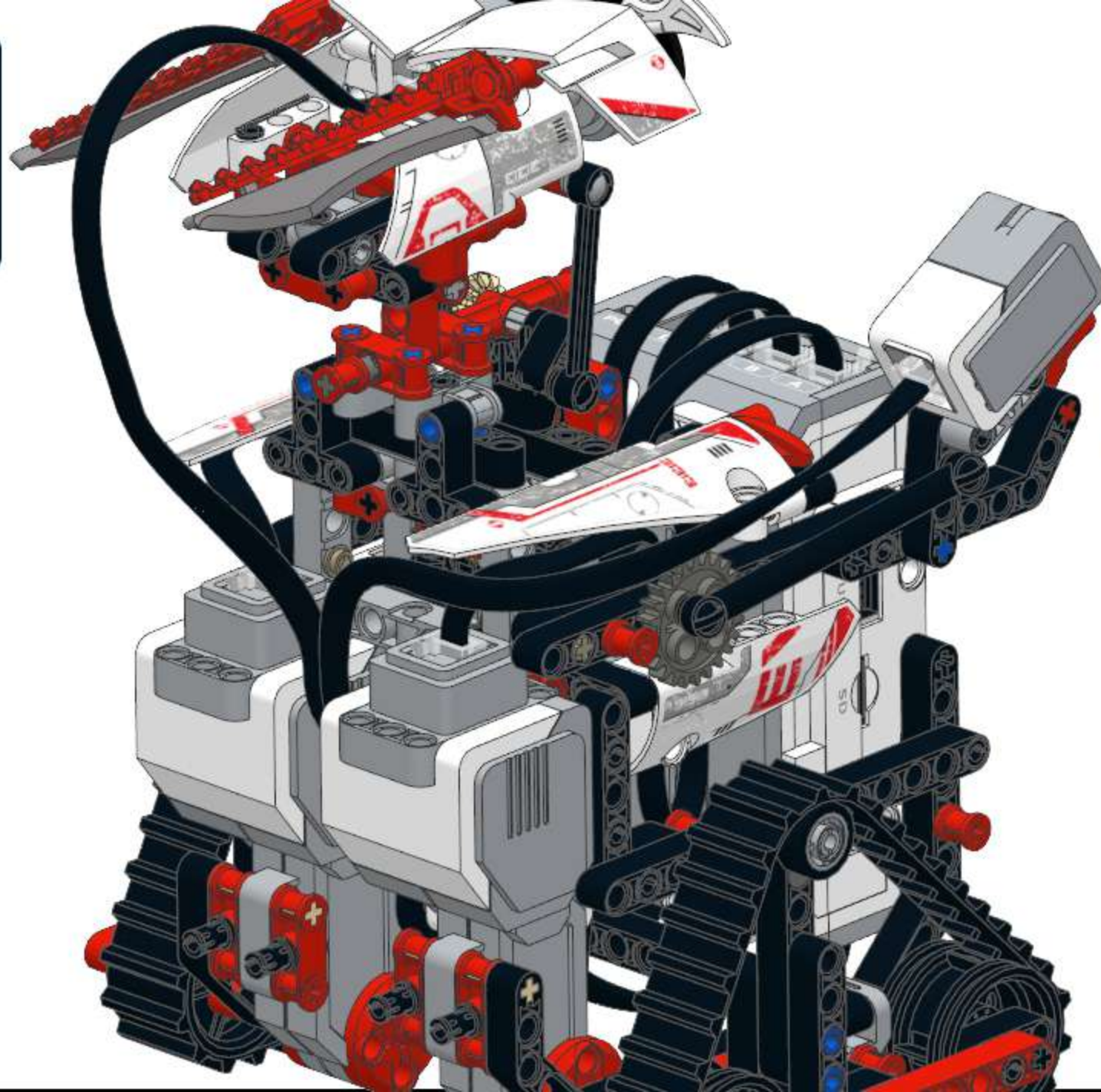




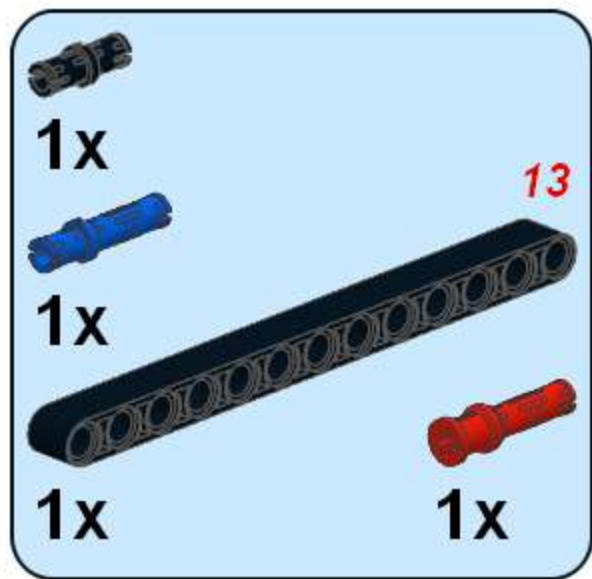
# 25



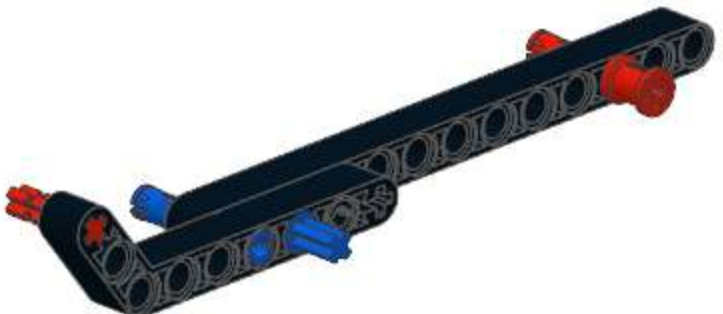
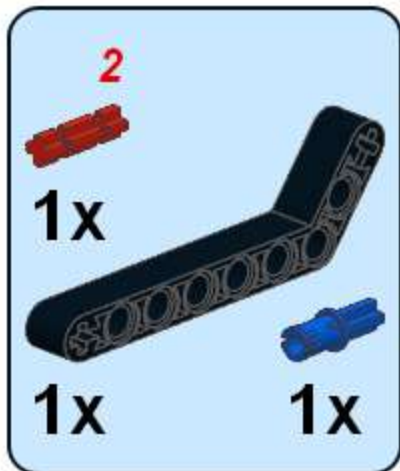
26



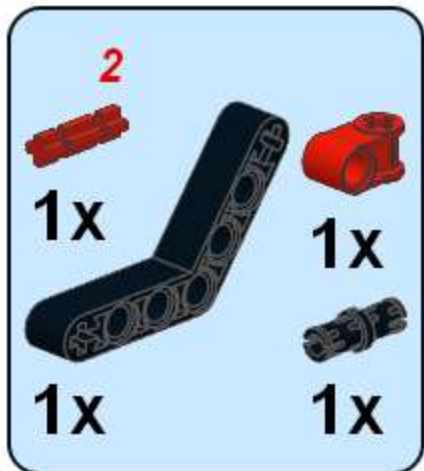
1






2

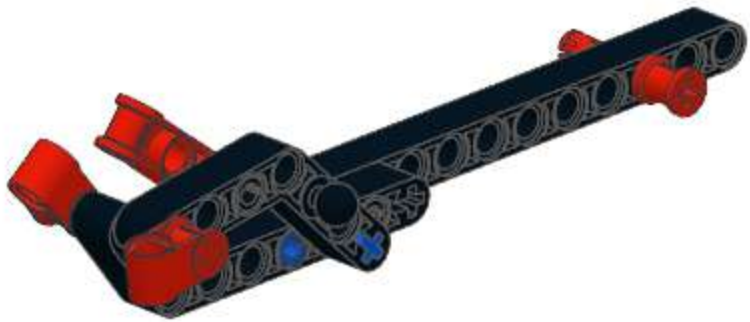


3

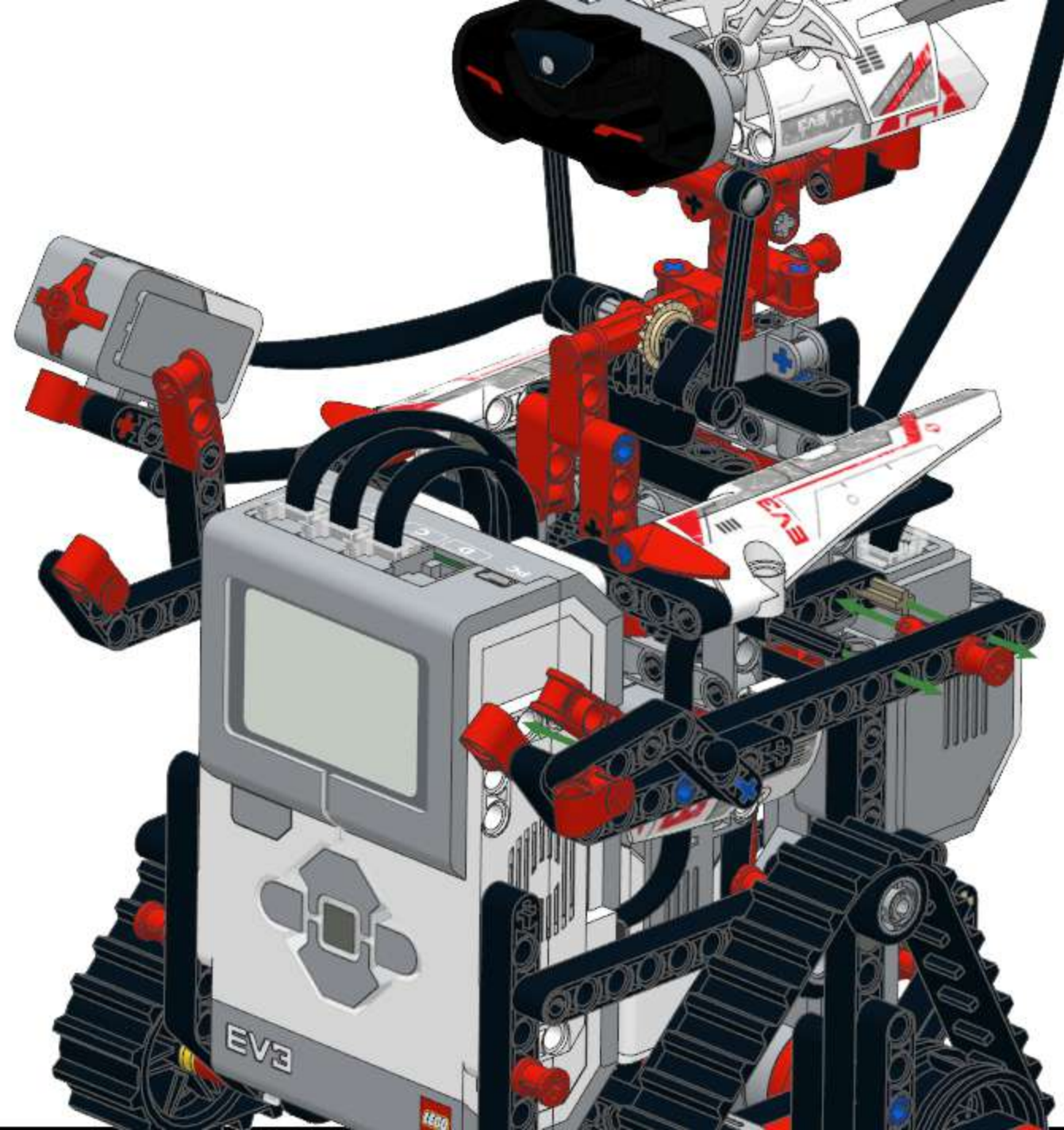


4

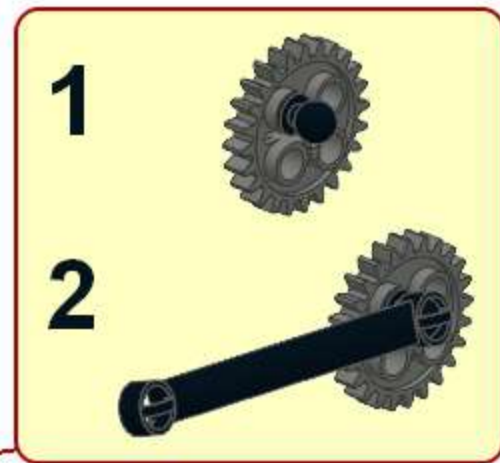
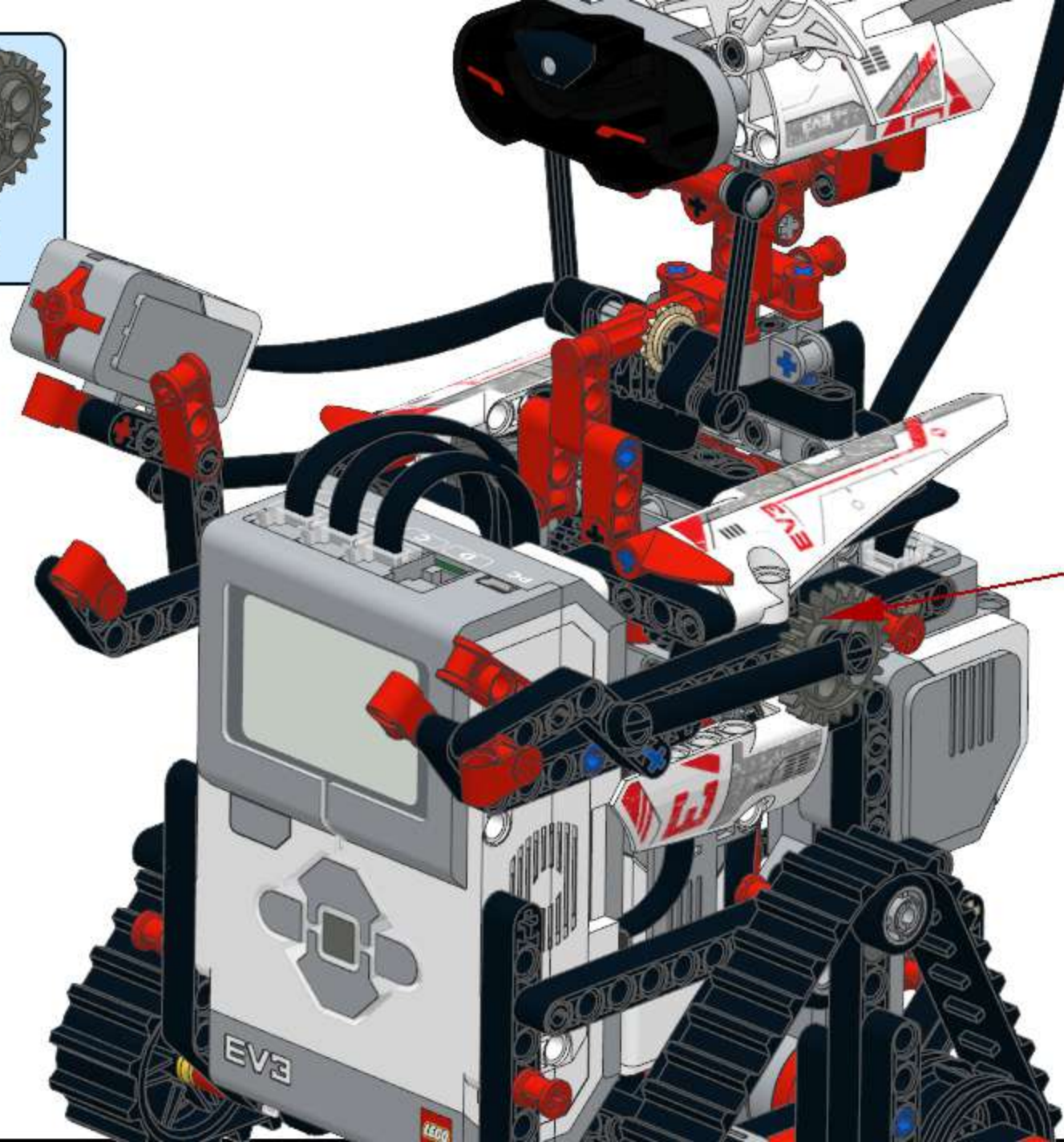
		
1x	1x	1x



27

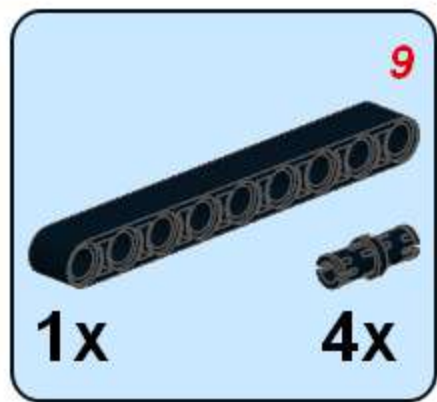


# 28

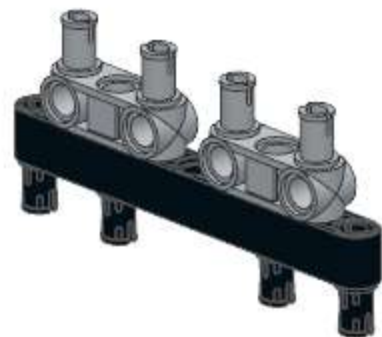
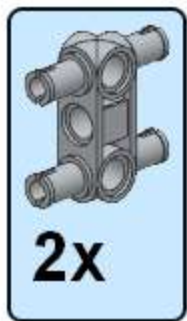




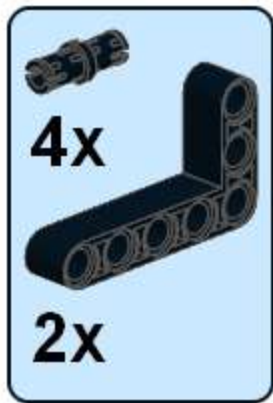
1



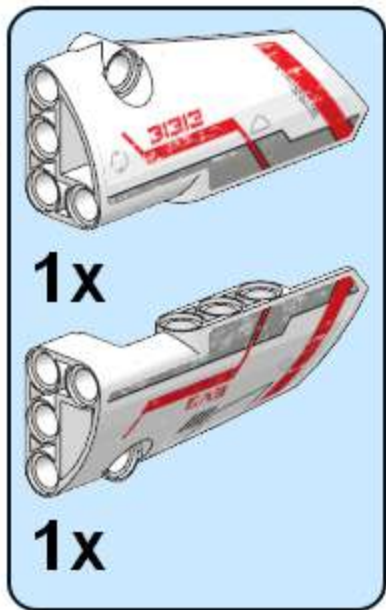
2



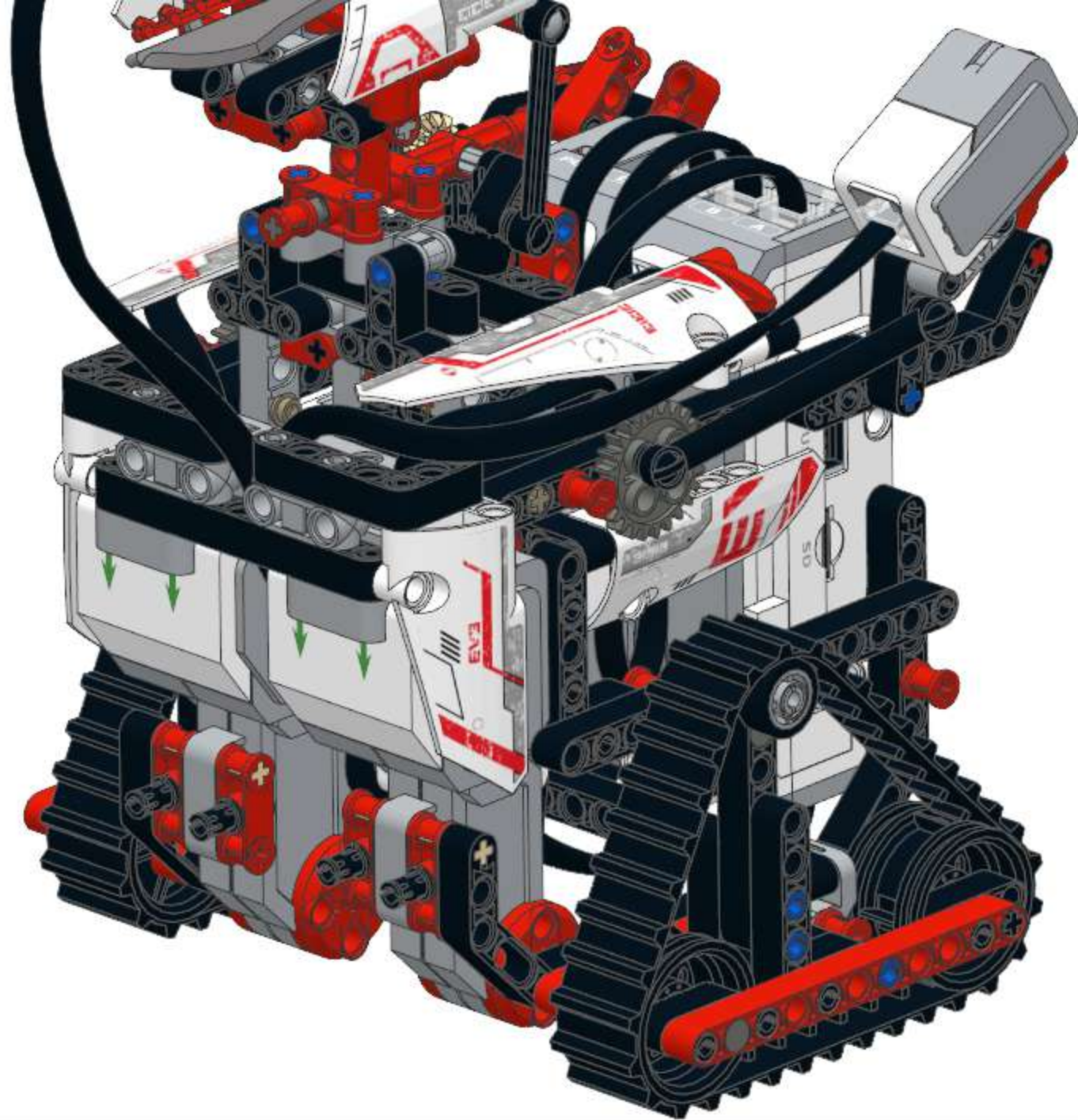
3



4



29



# 30



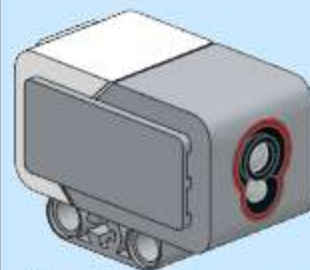
2x 3



2x



2x



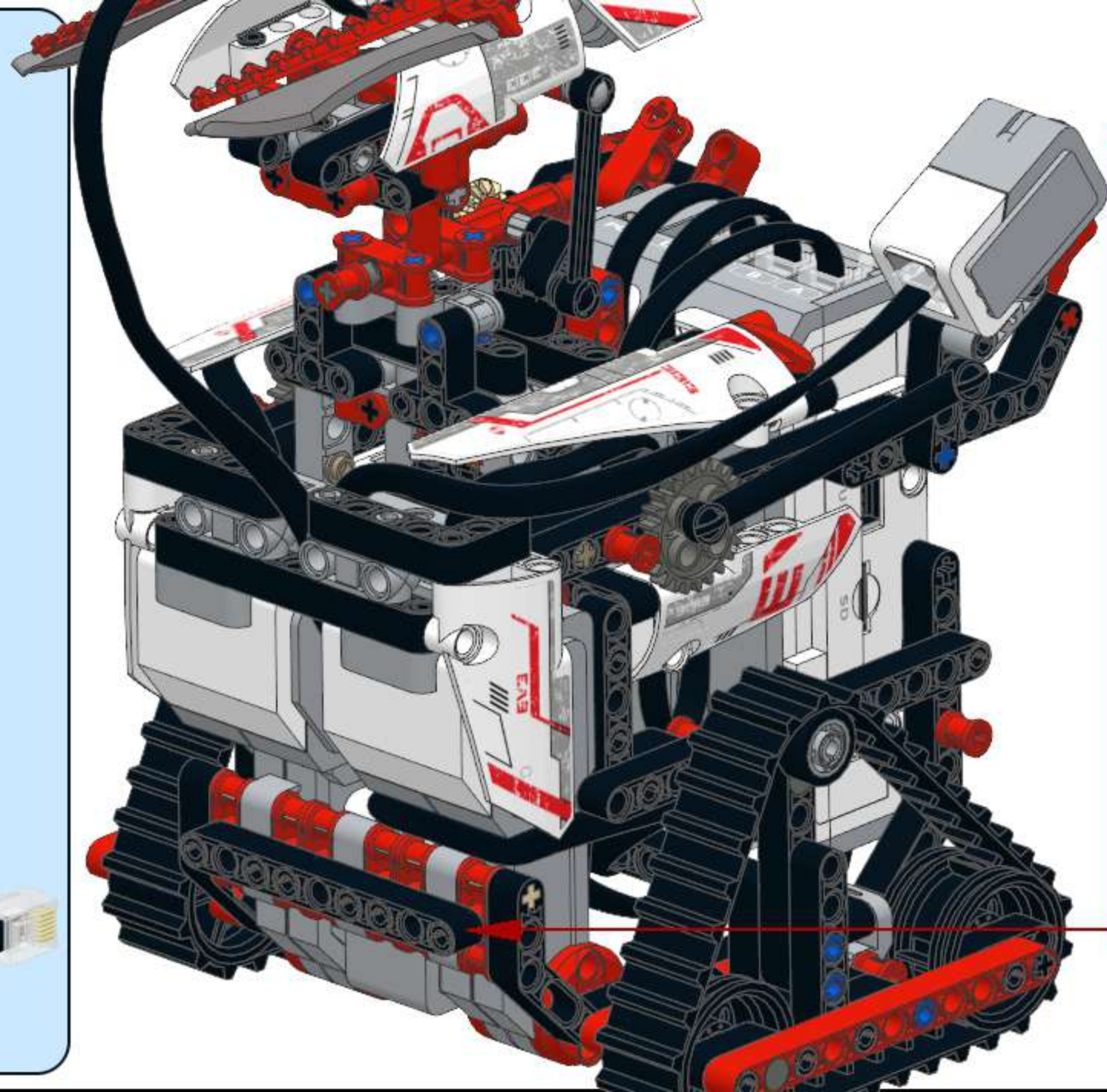
1x



1x



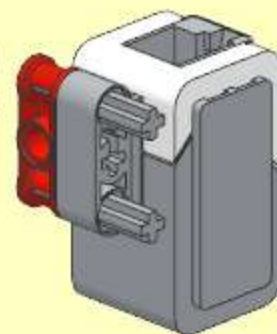
1x



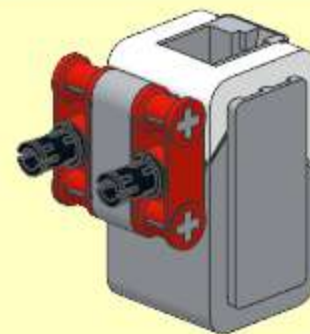
1



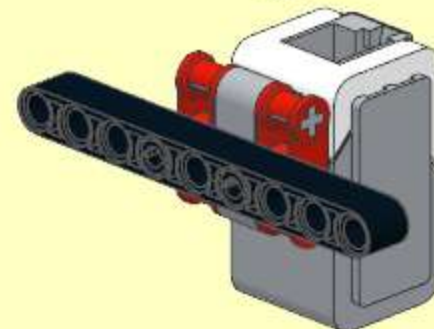
2



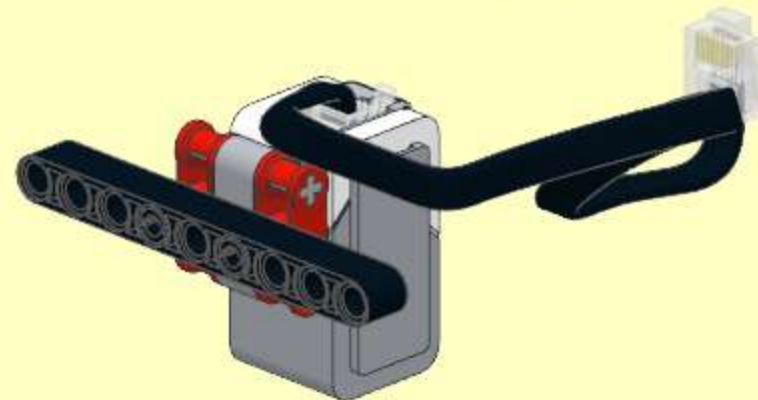
3



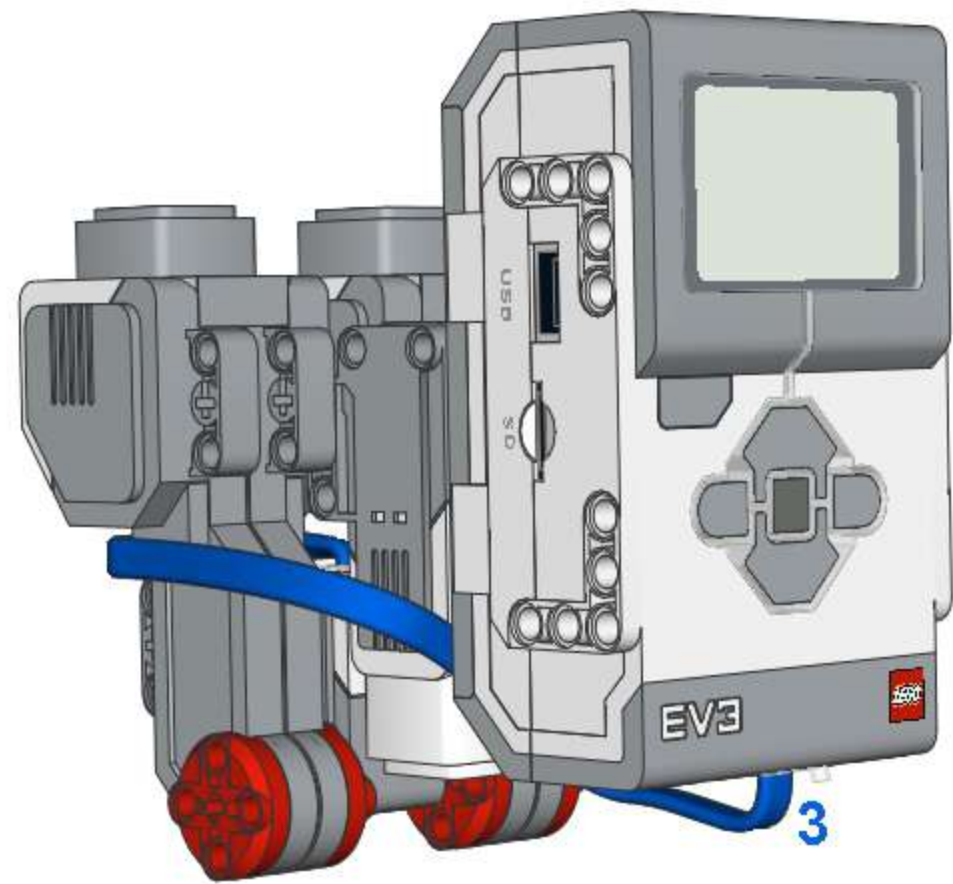
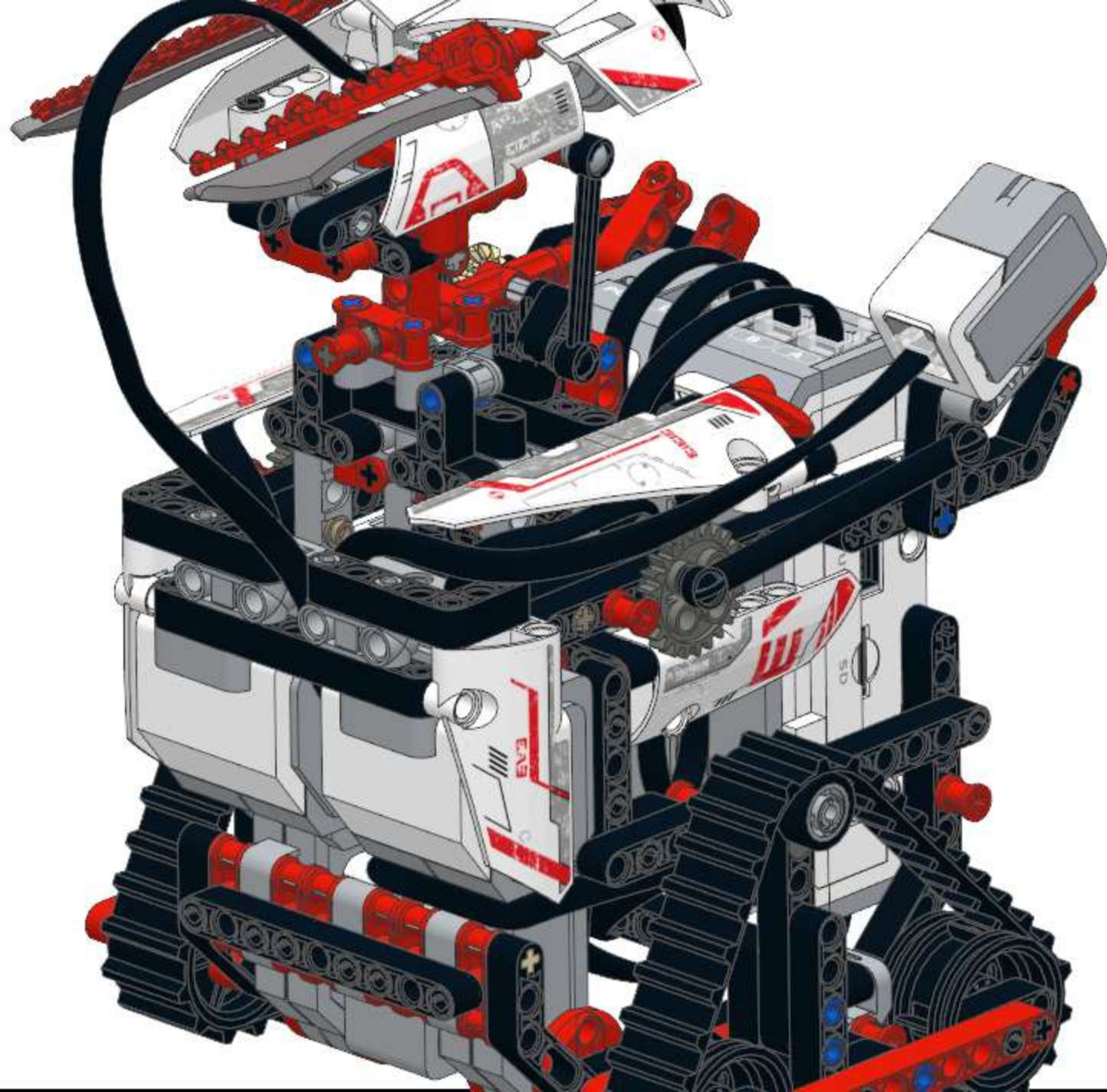
4



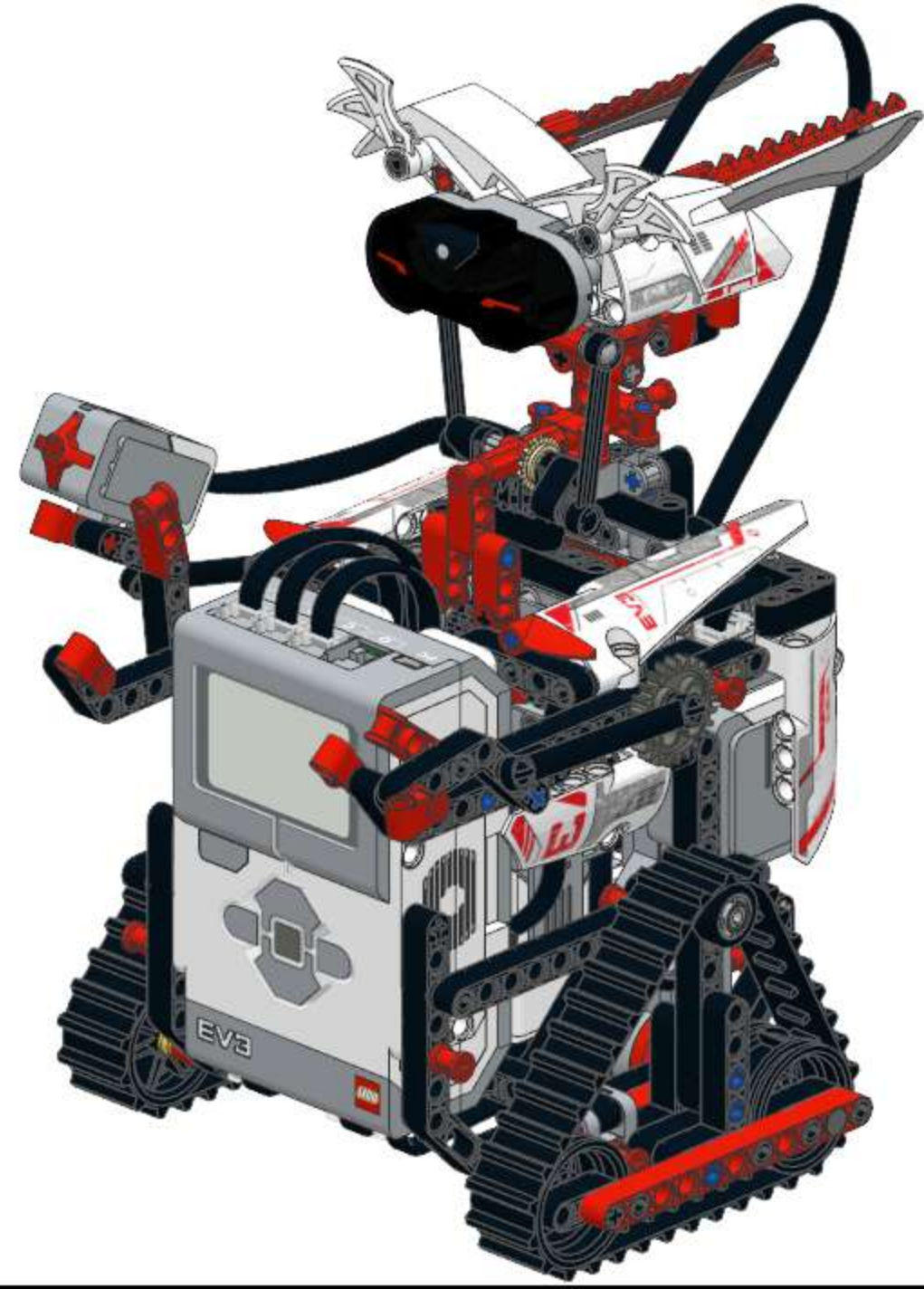
5



31

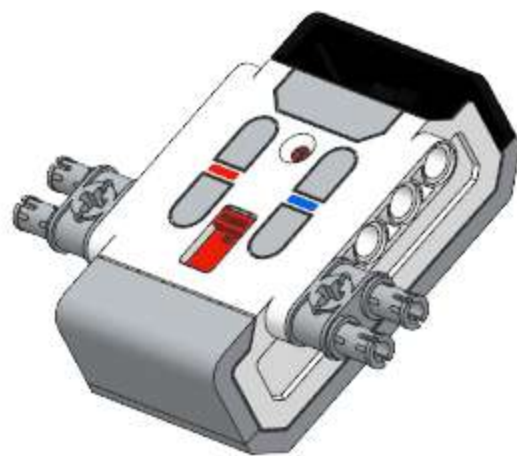
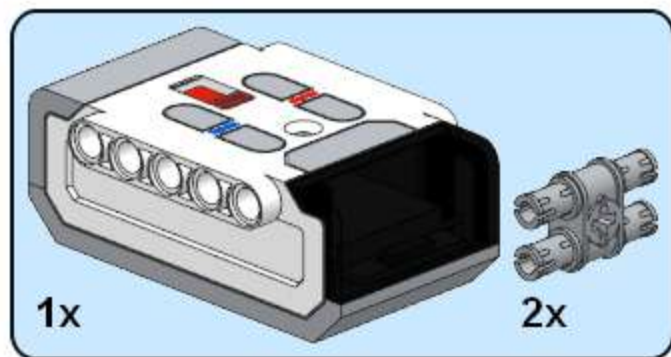


32

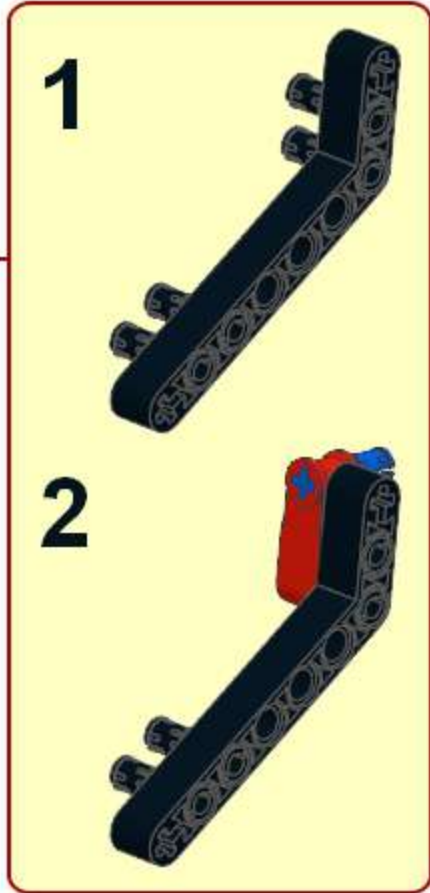
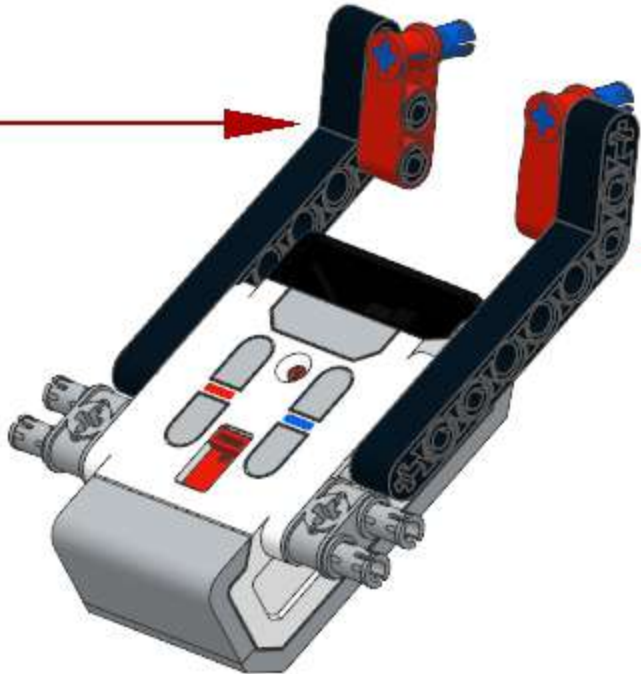
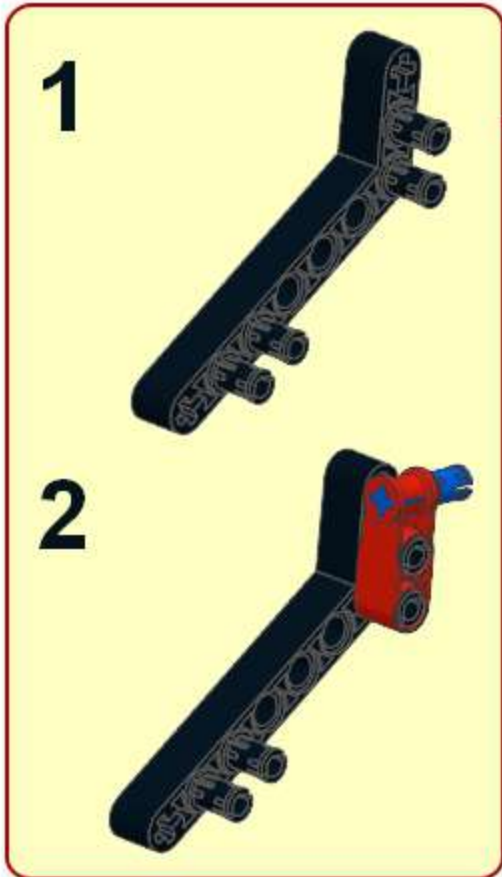
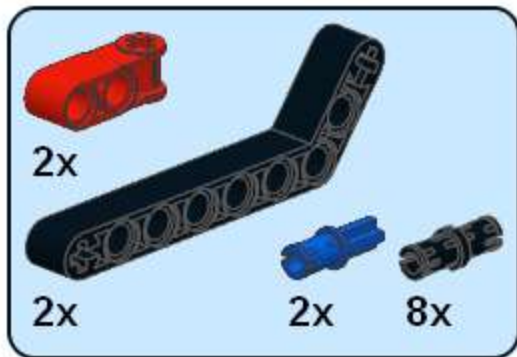




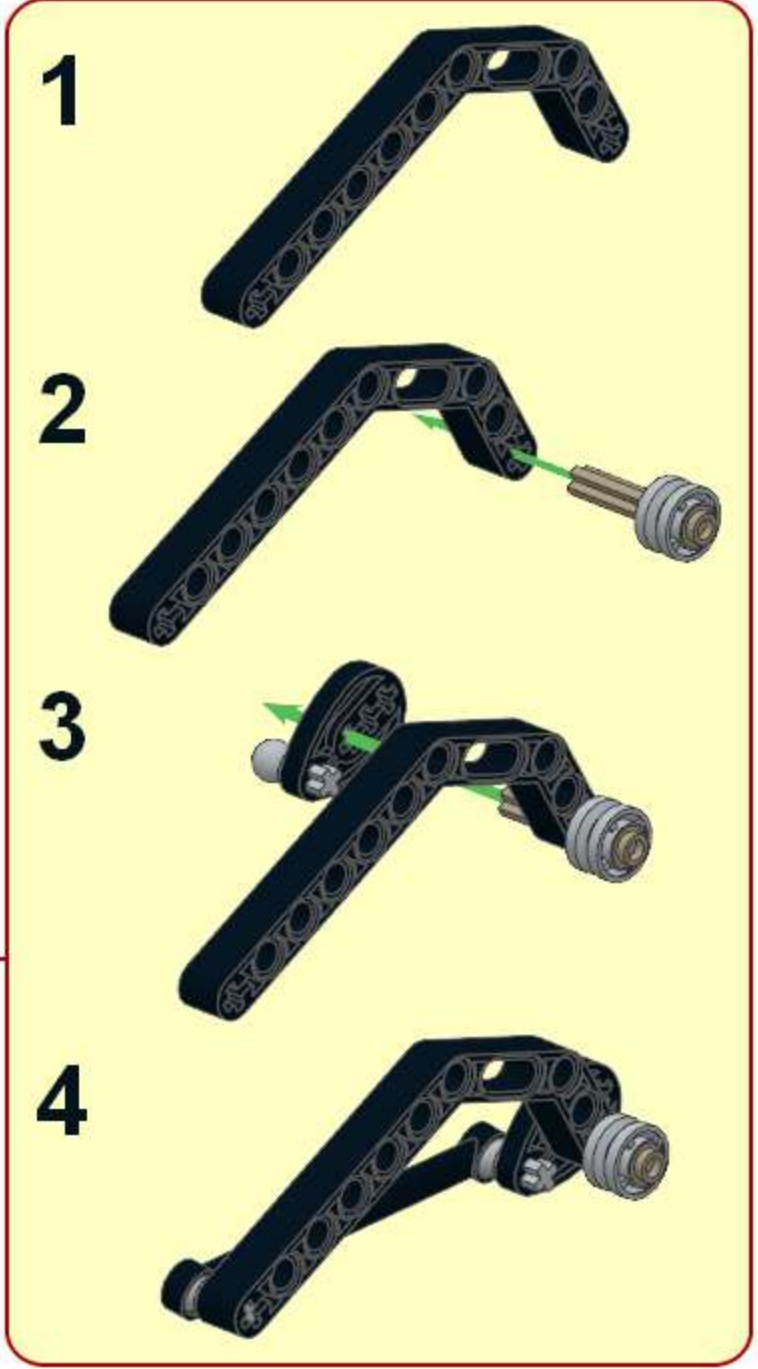
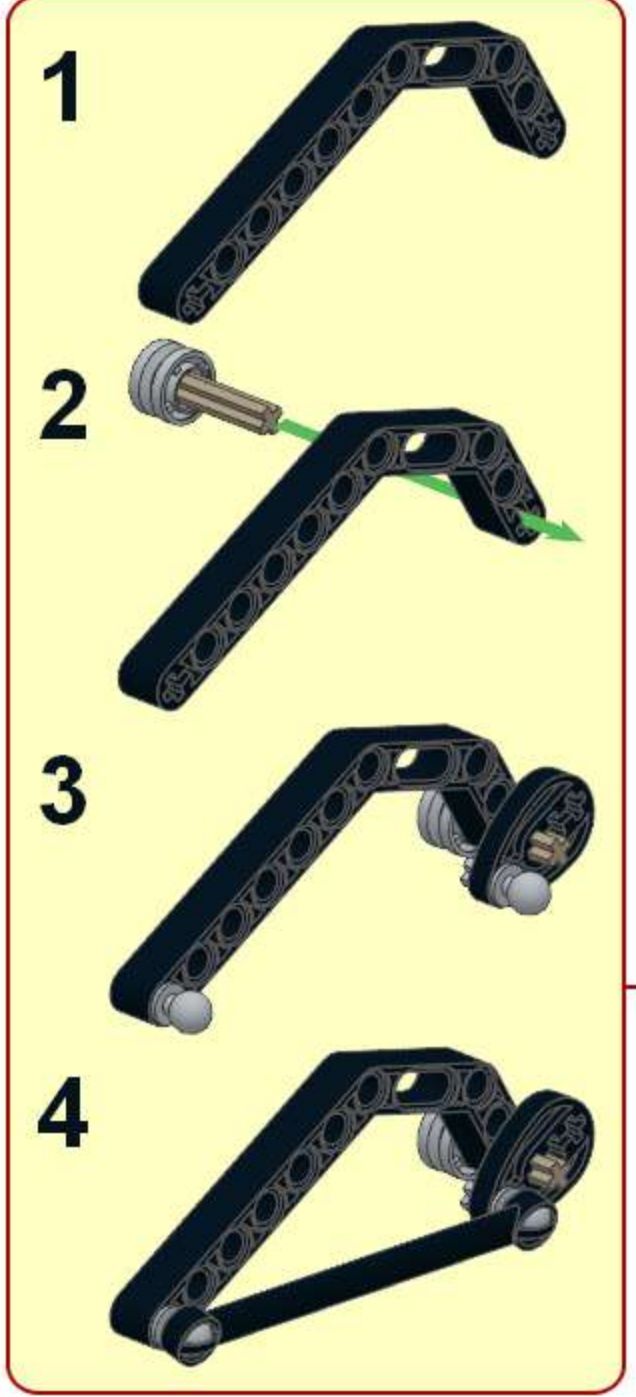
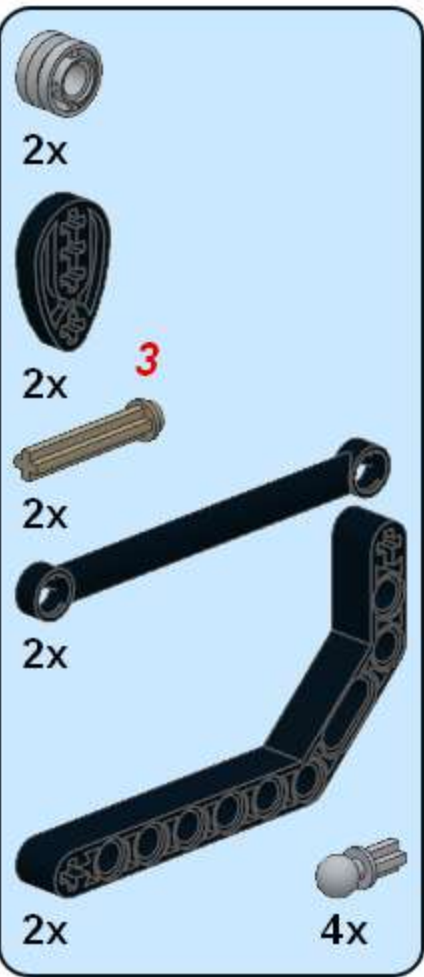
1



# 2



# 3



# 4

- 2x
- 1x
- 2x
- 2x
- 2x
- 1x
- 3



- 1
- 2
- 3
- 4