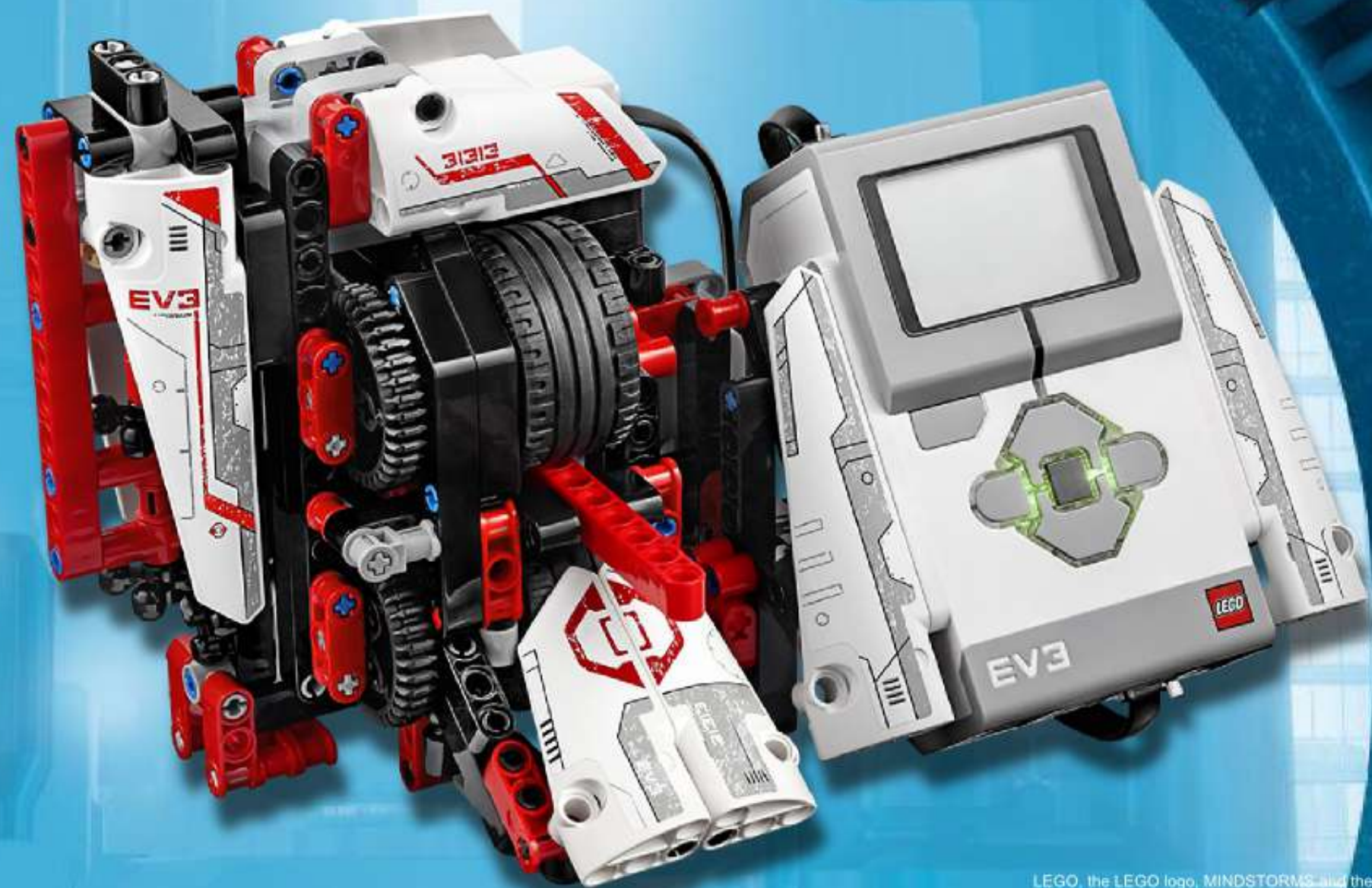


LEGO mindstorms
EV3



MR-B3AM

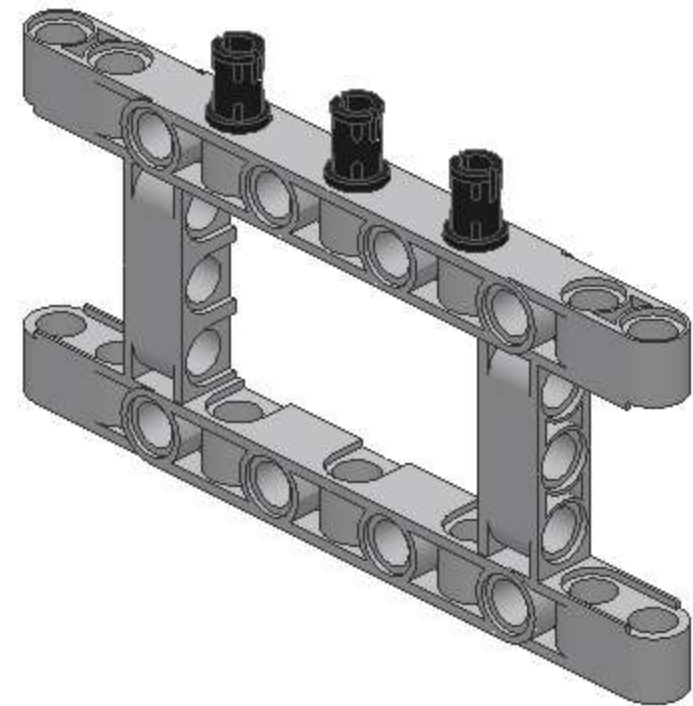
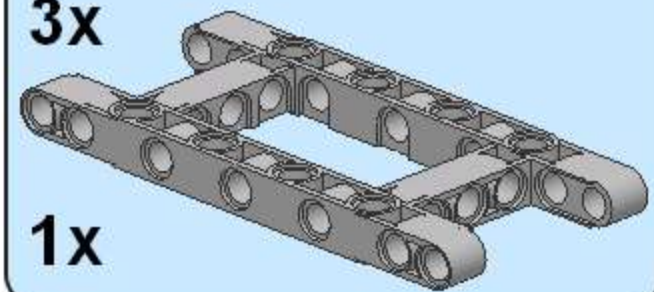
Model Design, Building
and Programming Instructions
by: **Kenneth R. Madsen**

1

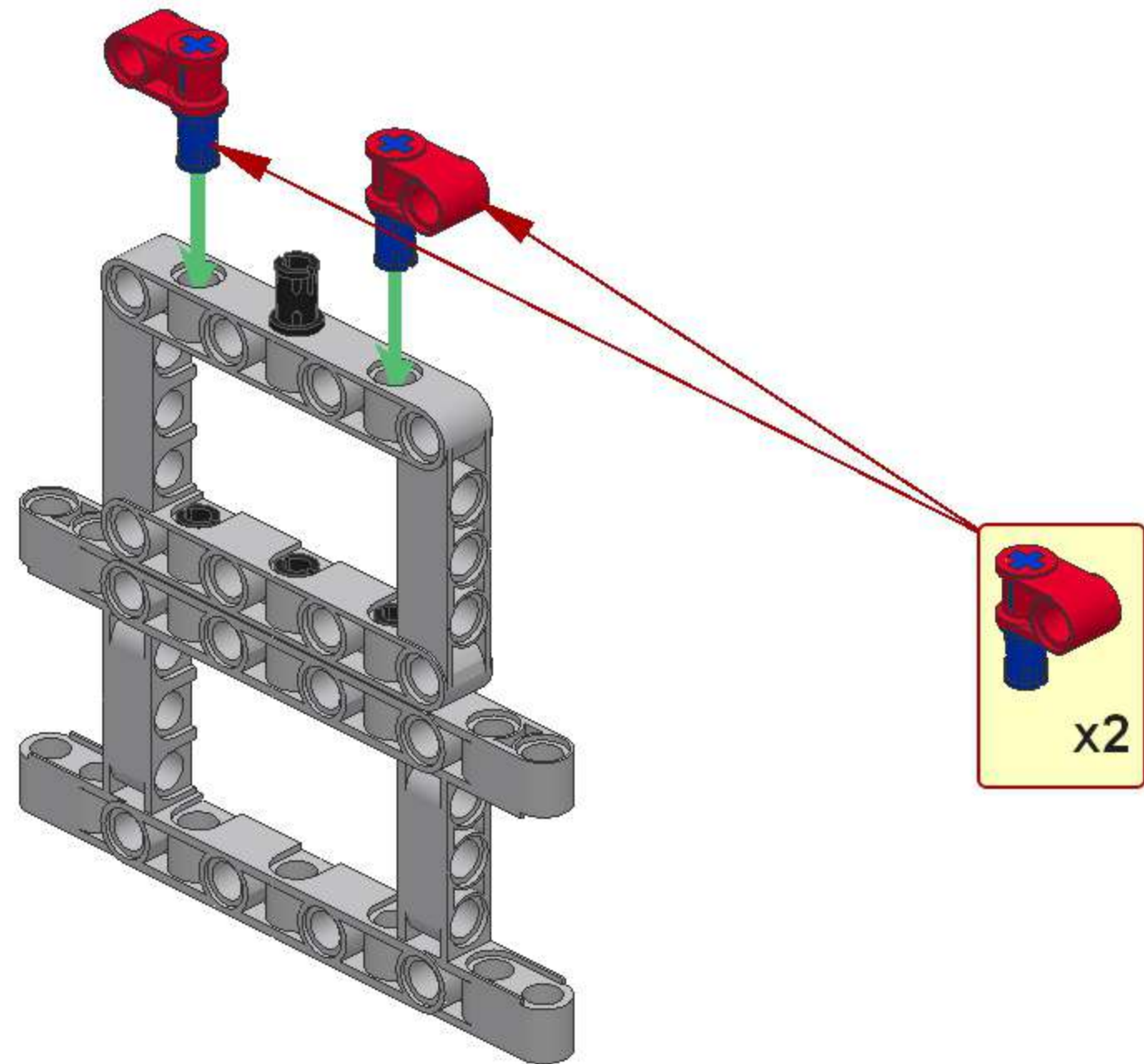
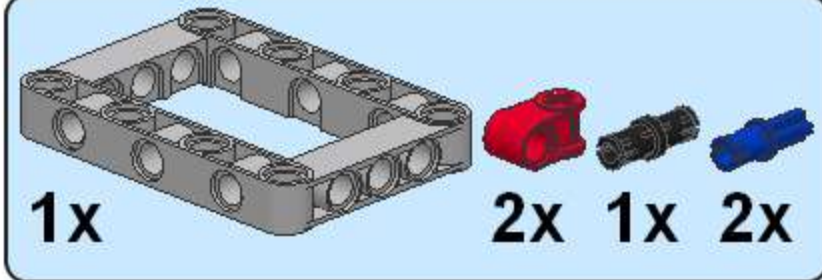


3x

1x



2



3



2x

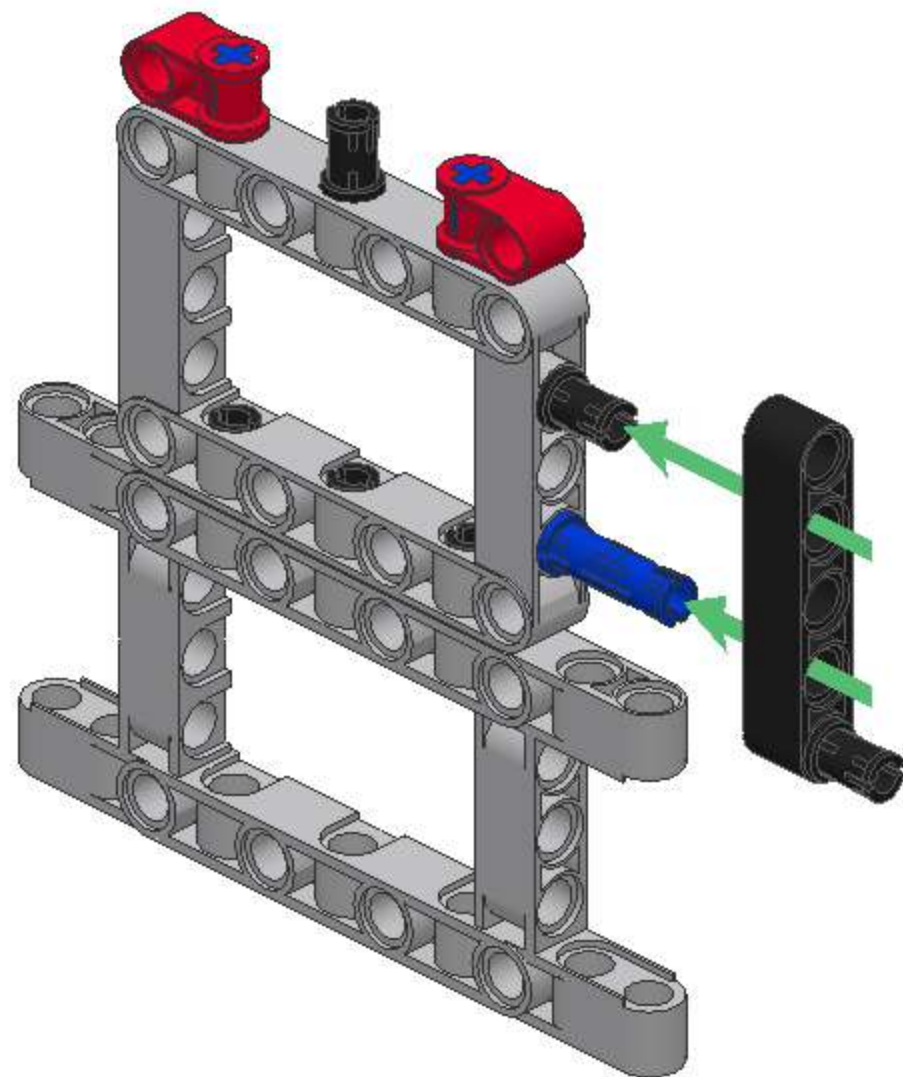


1x

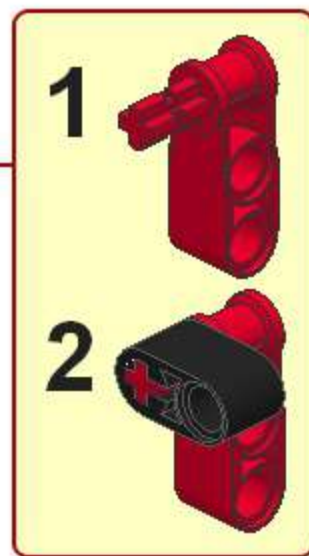
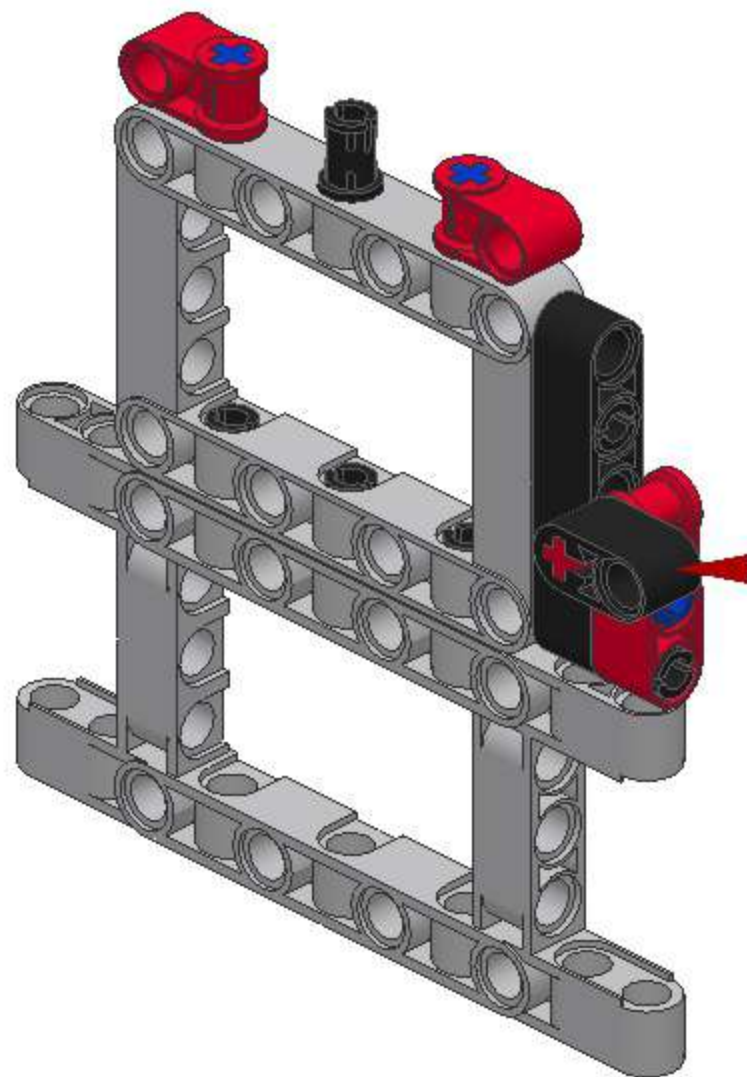
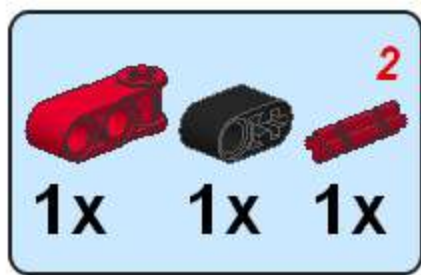
5



1x



4



5

2x

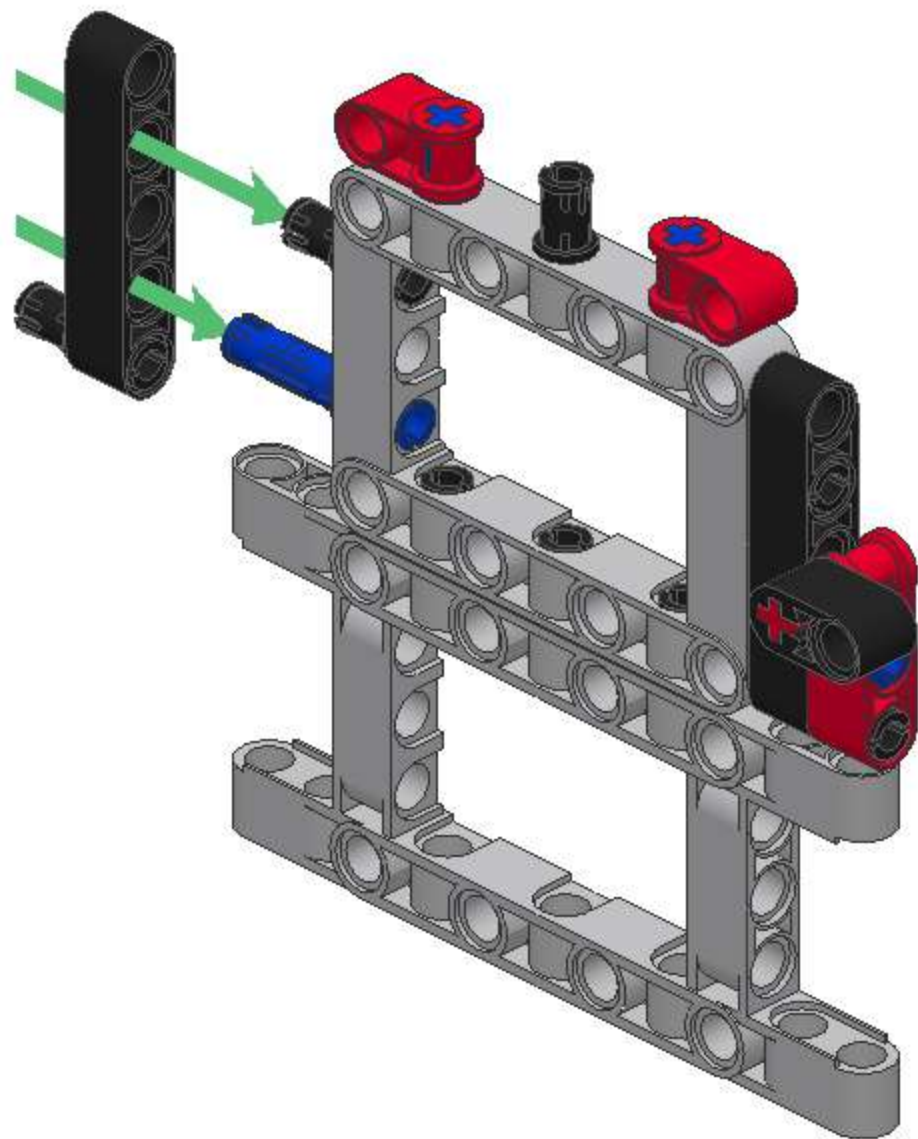


1x

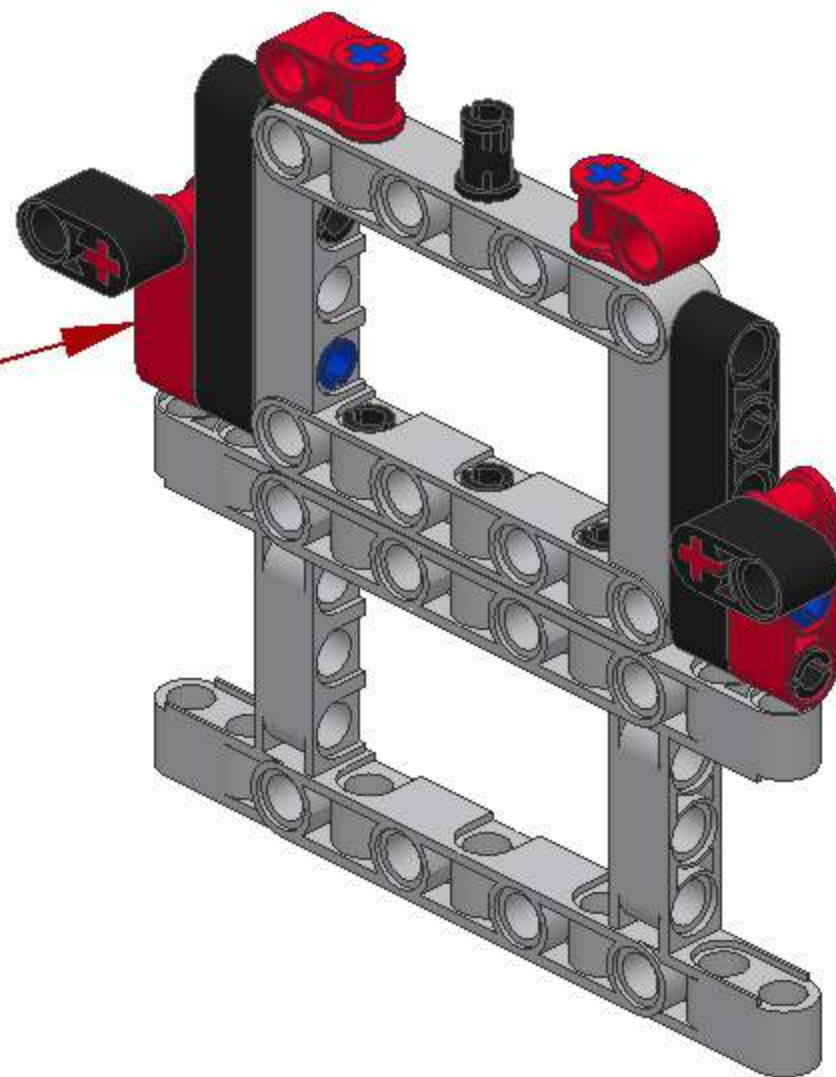
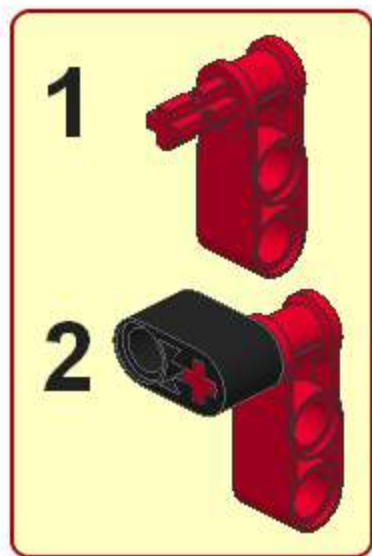
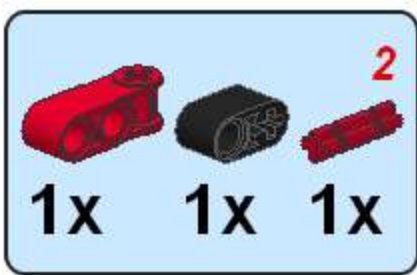
5



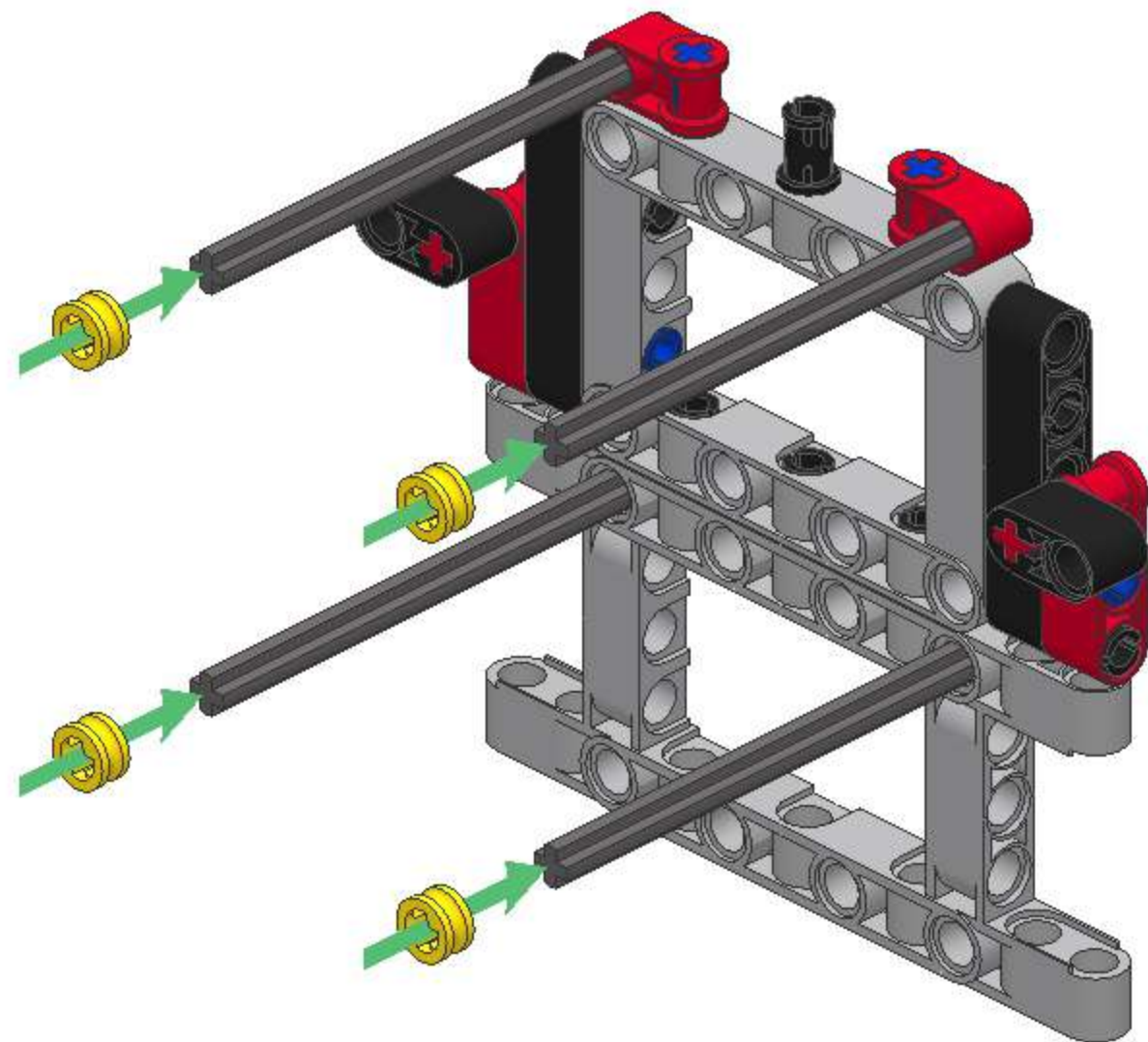
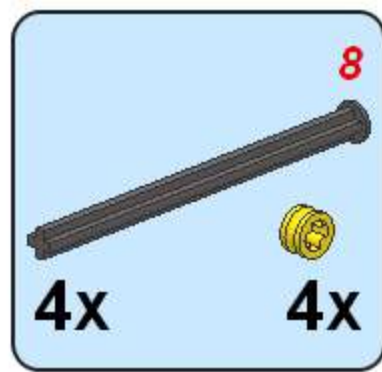
1x



6



7



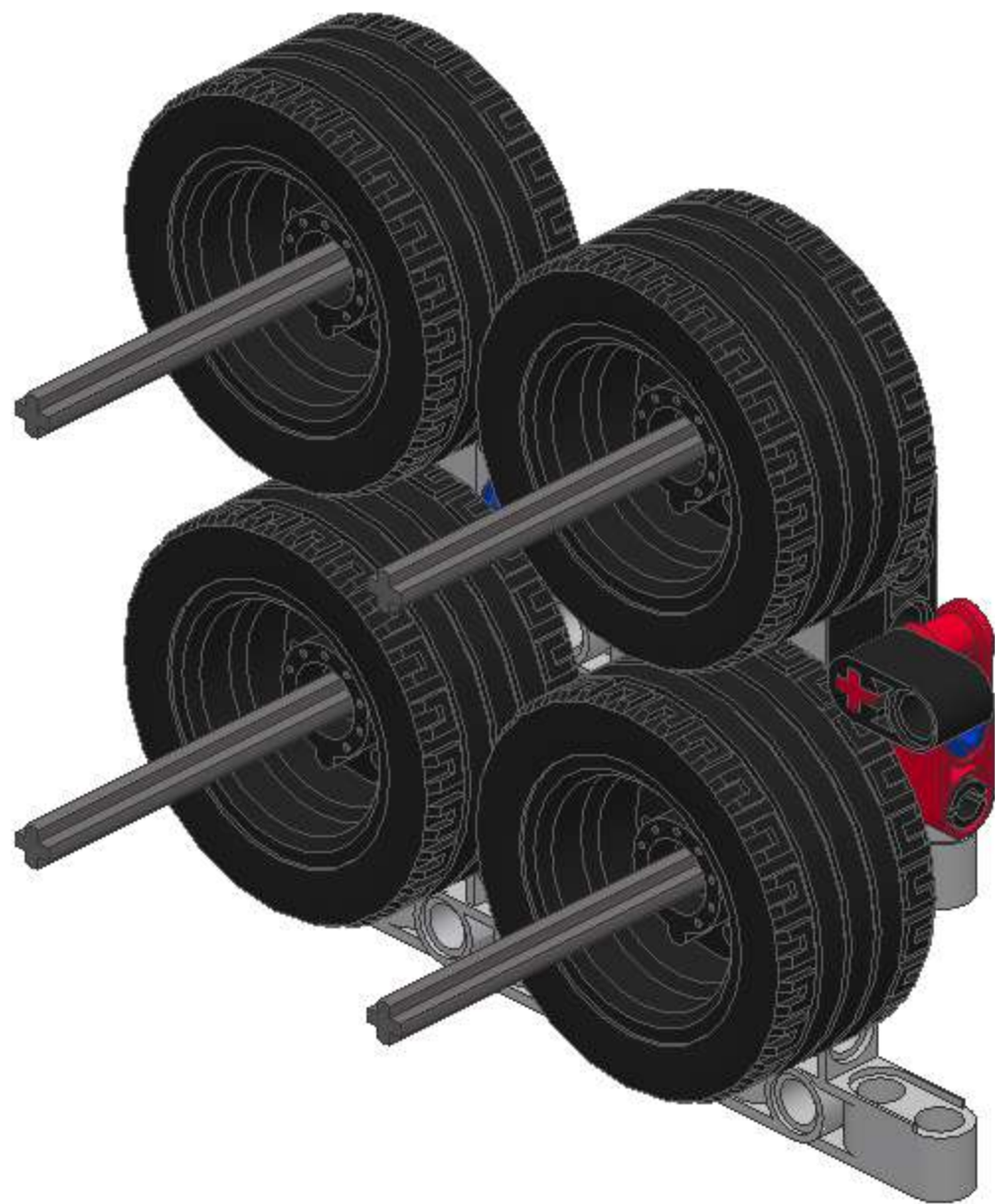
8



4x

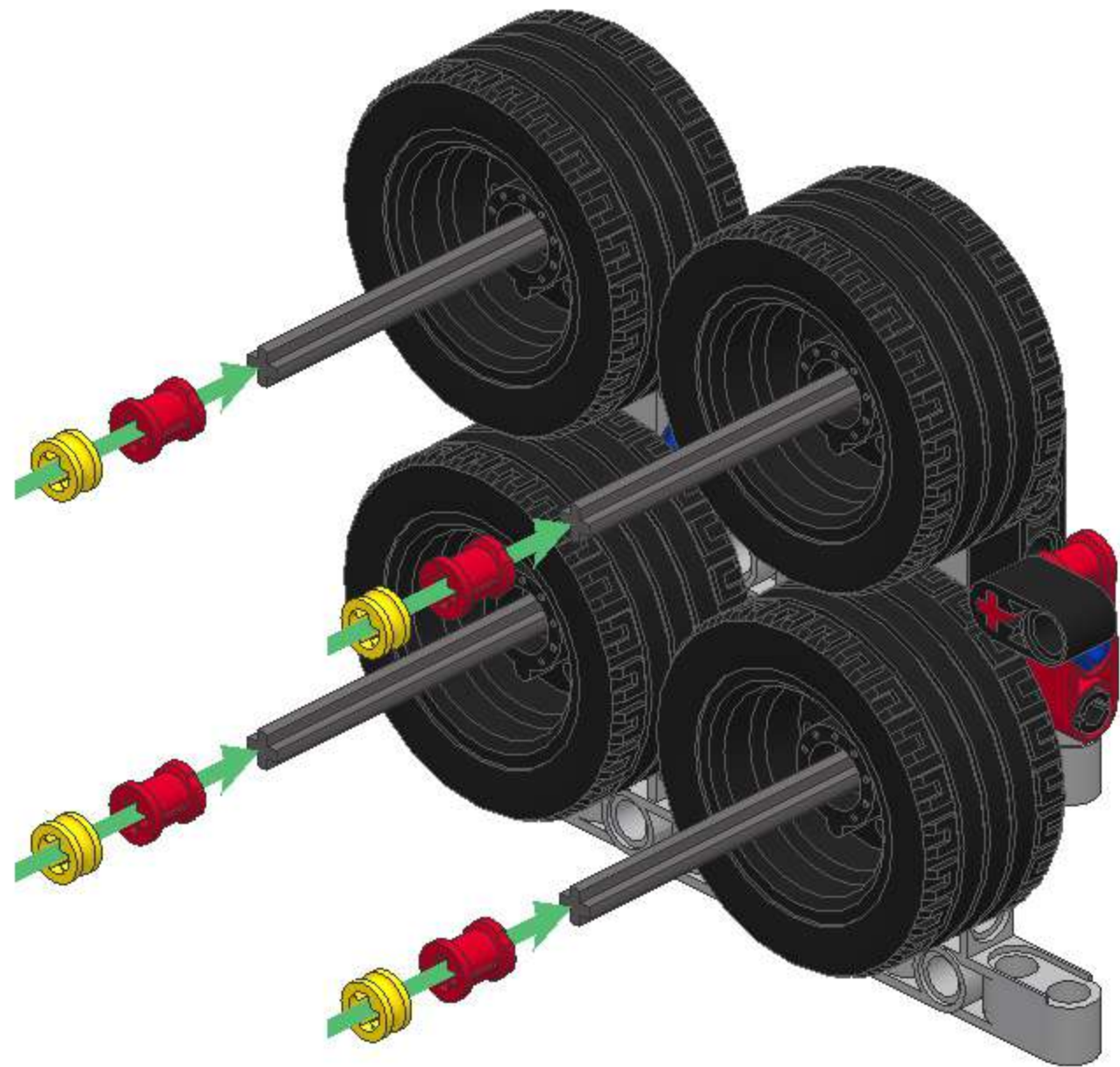


4x

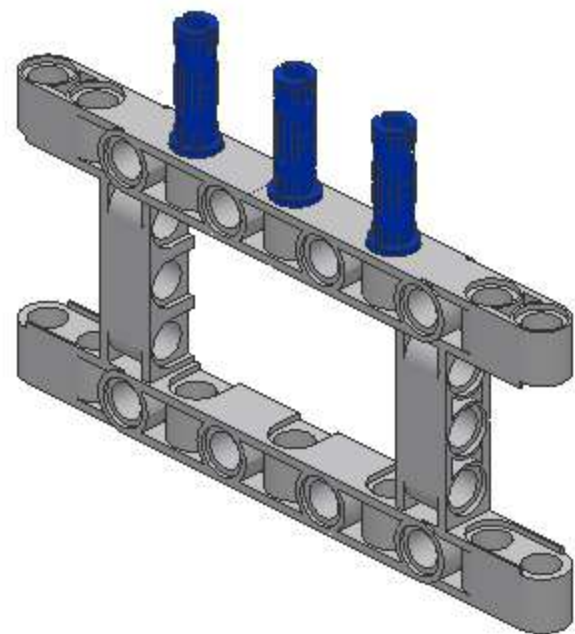
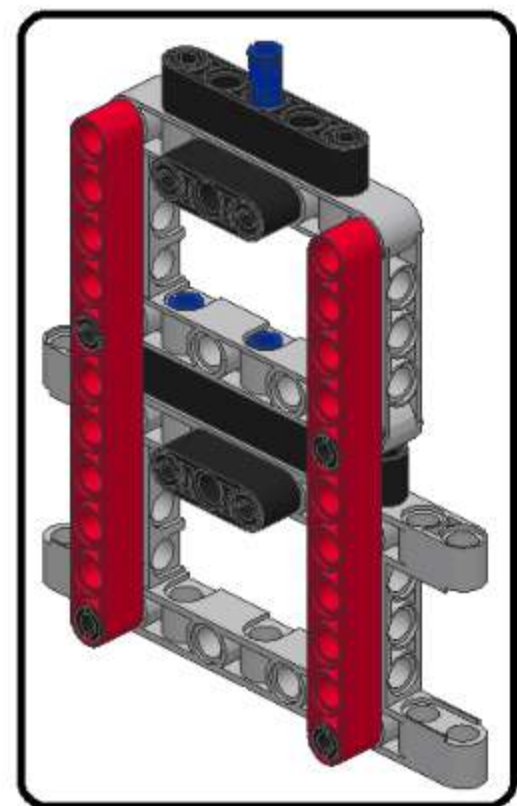
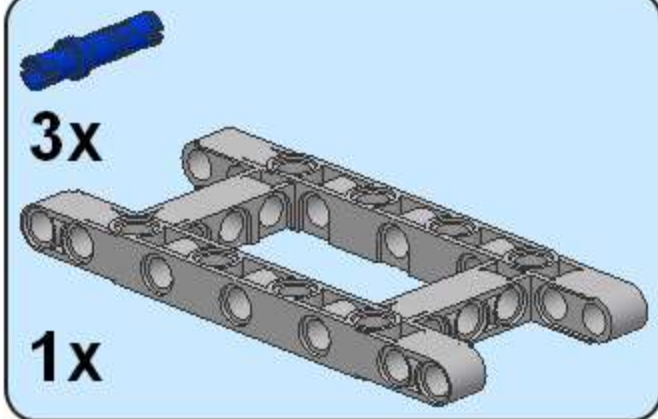


9

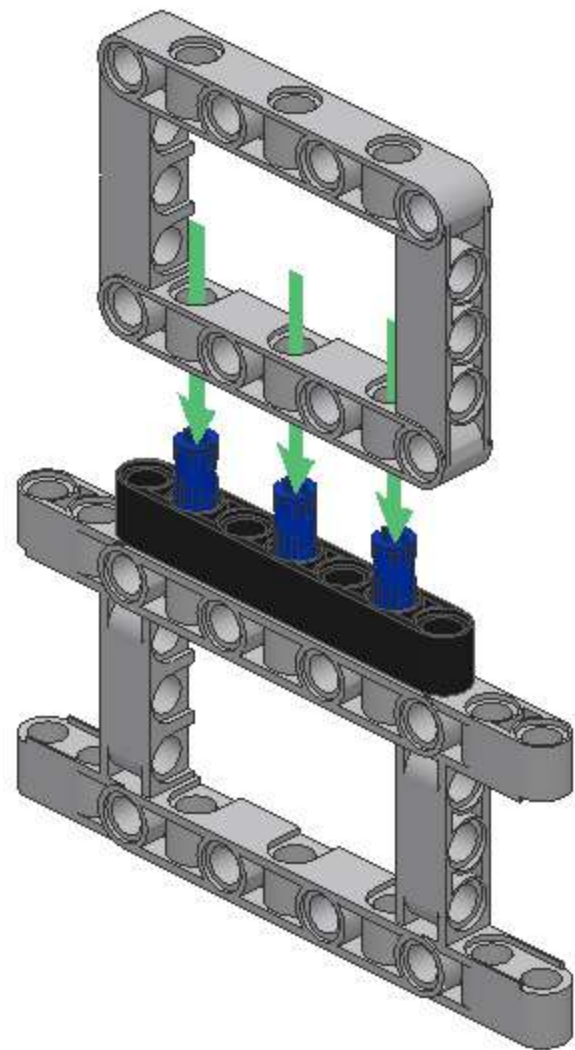
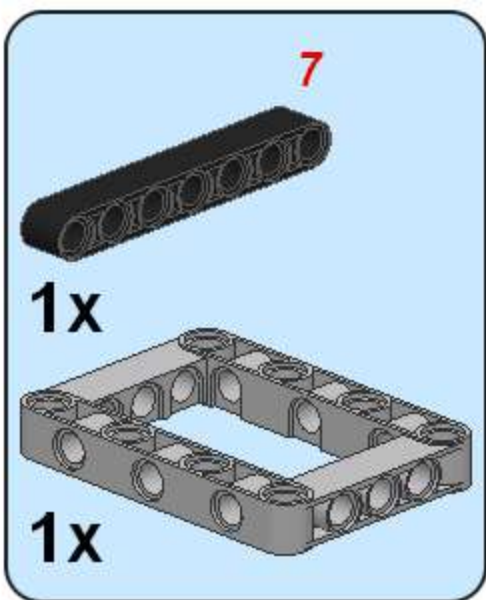
4x 4x



1



2



3

2x

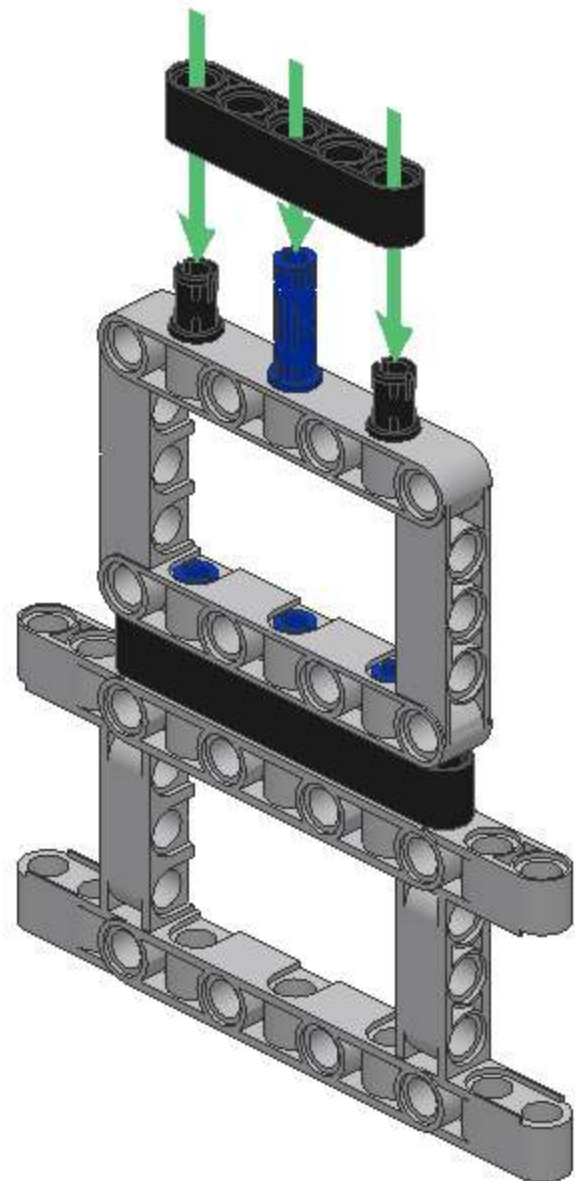



1x

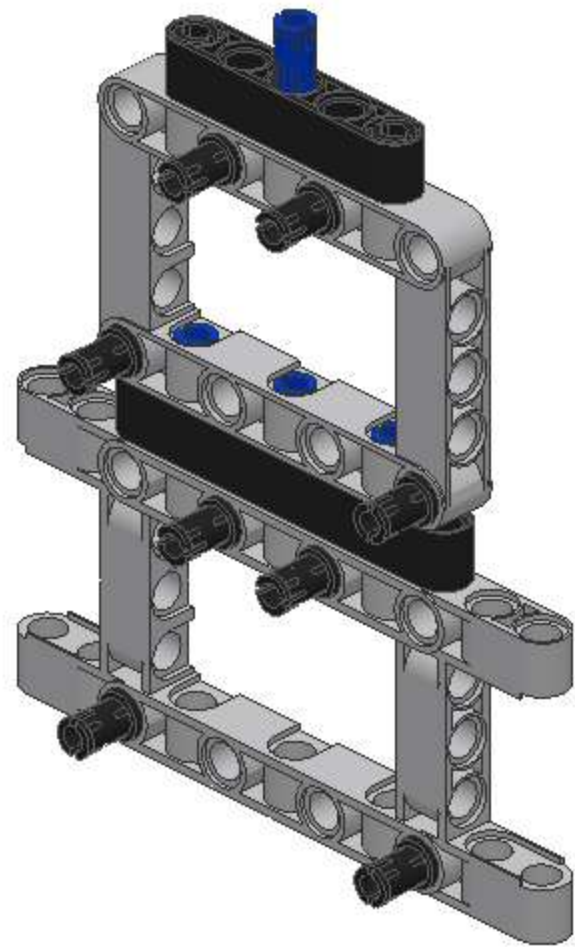
5



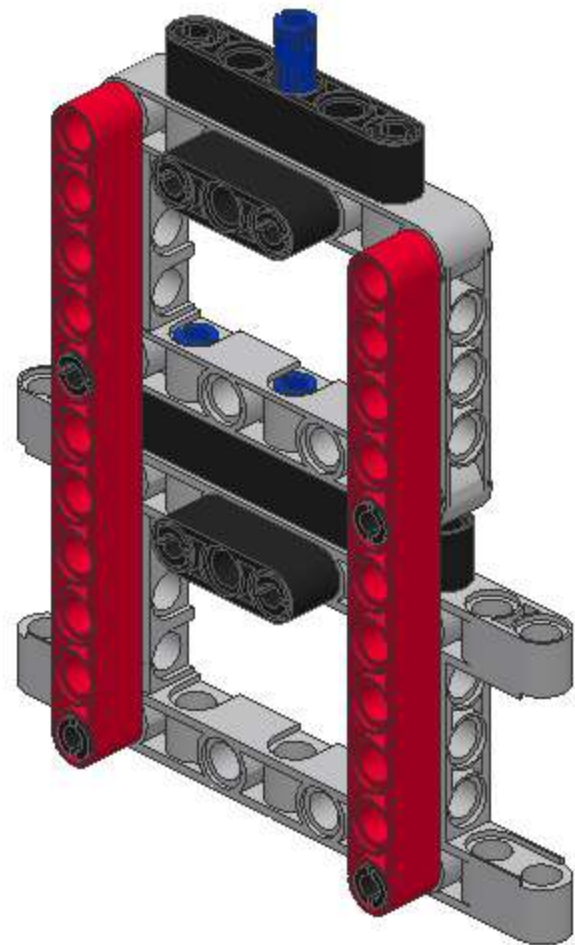
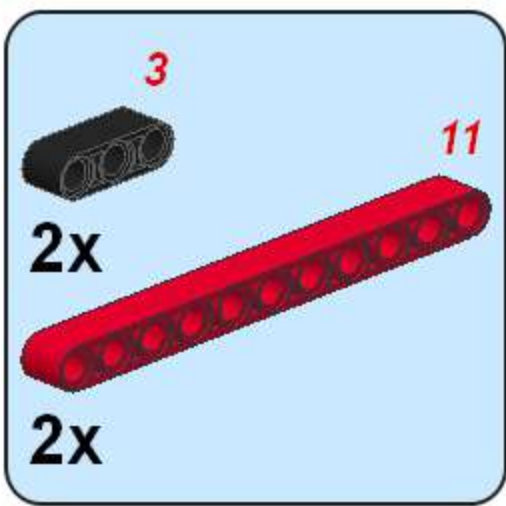
1x



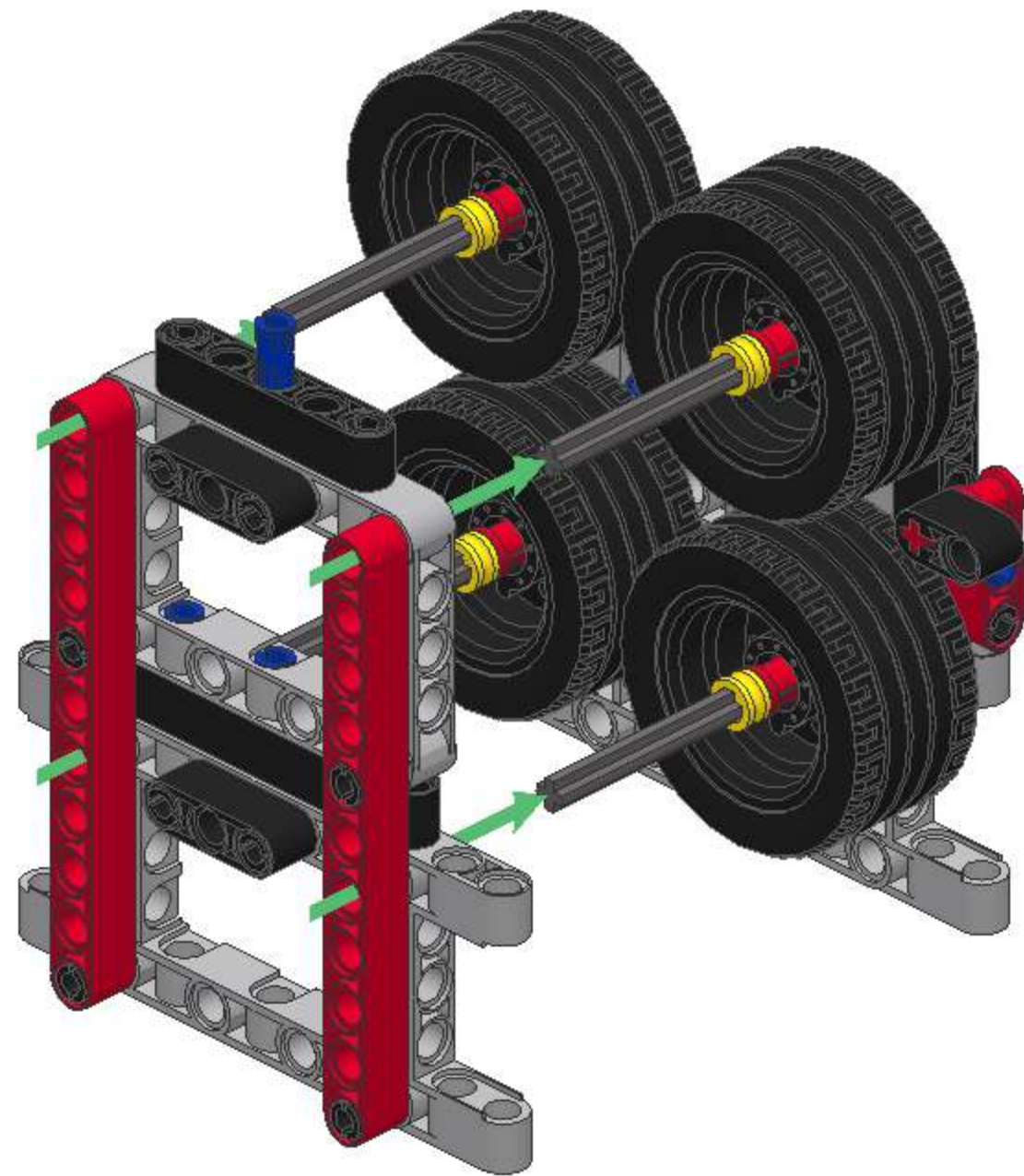
4  8x



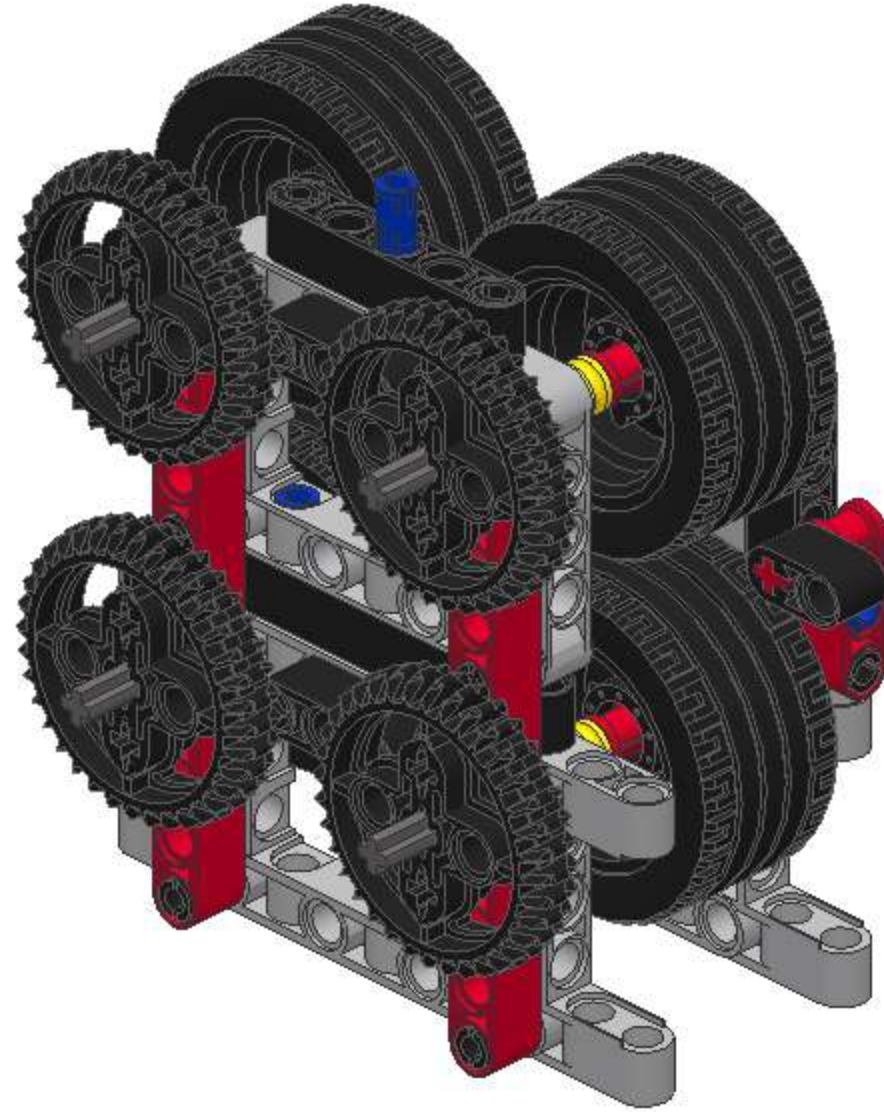
5



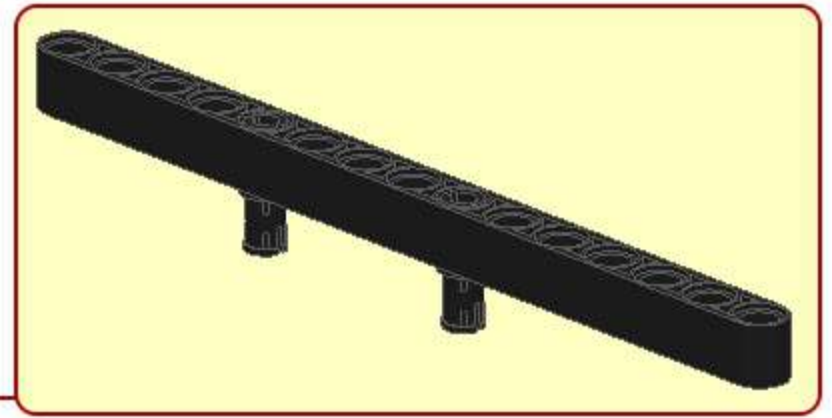
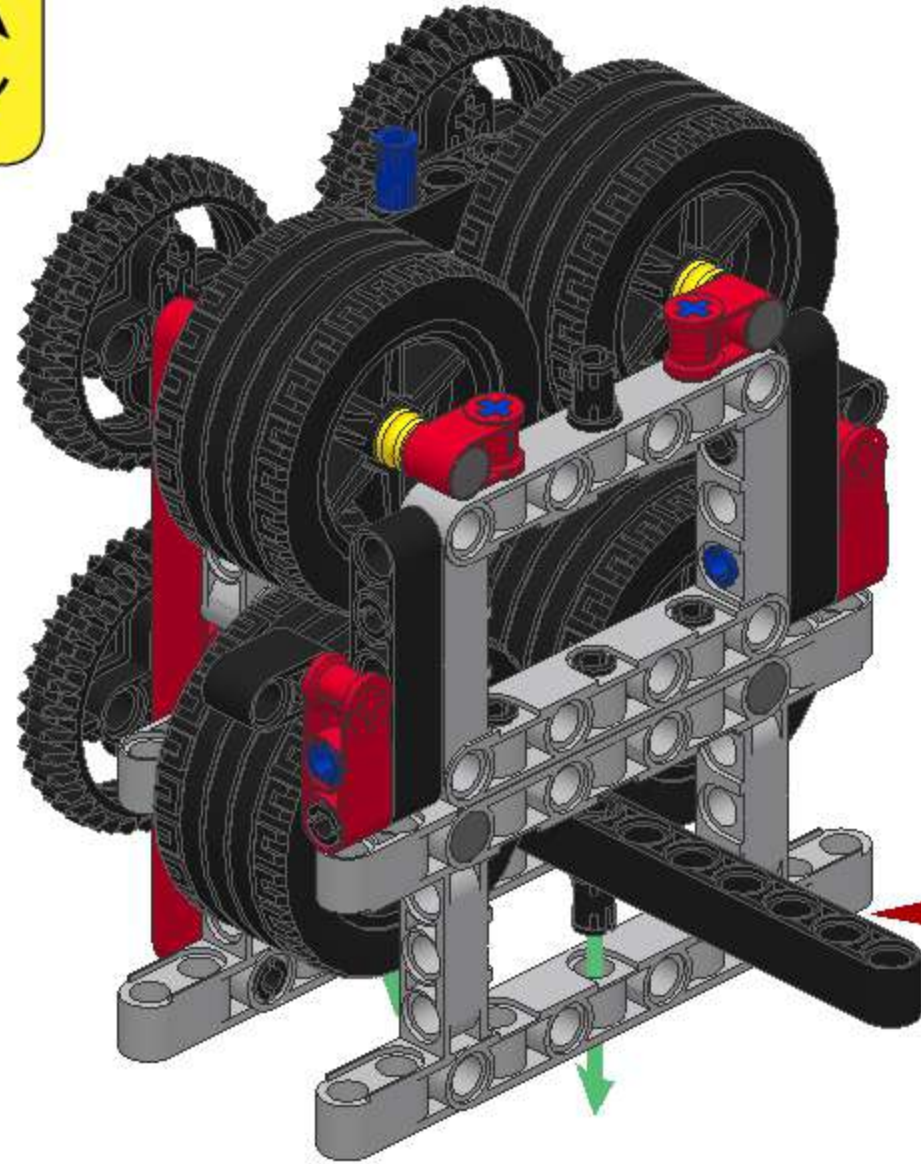
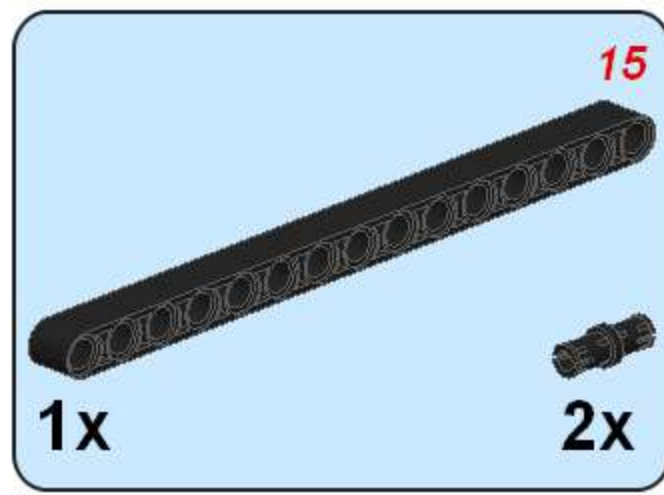
10






11





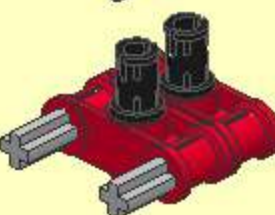
12

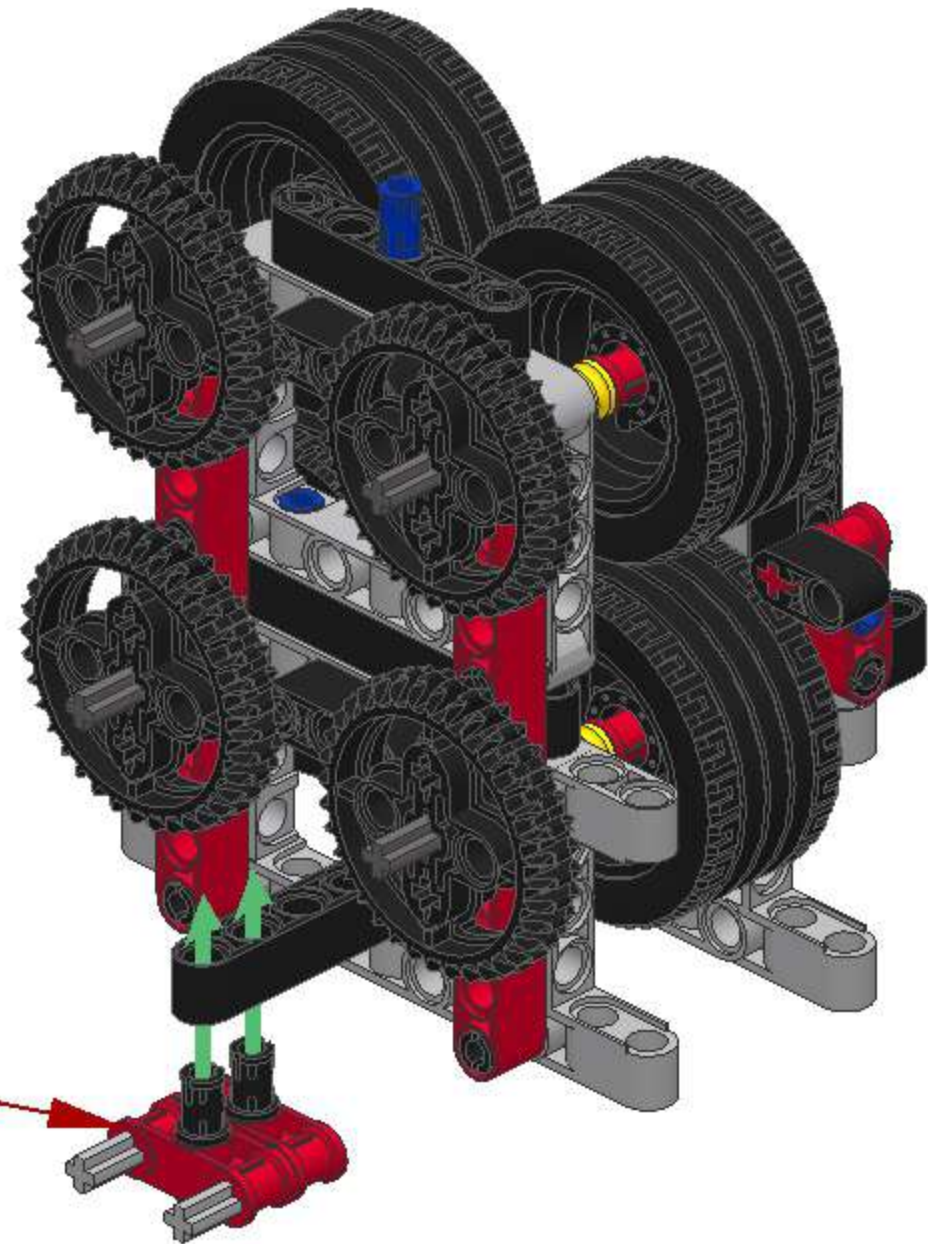


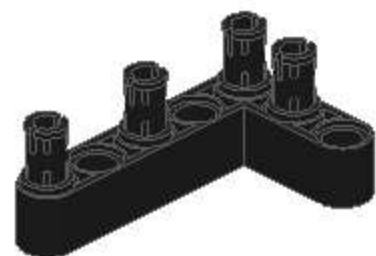
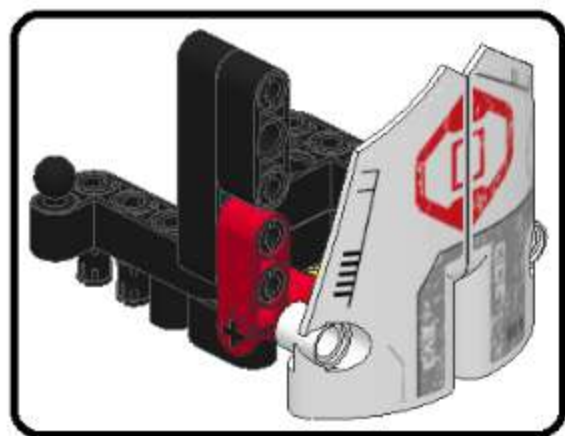
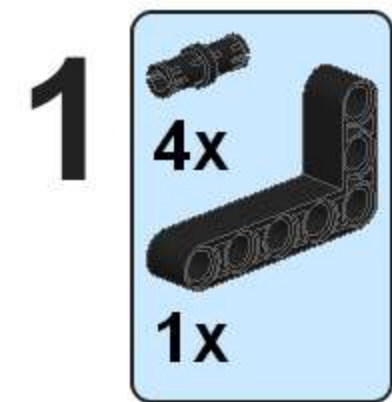
13

-  2x ³
-  2x
-  2x

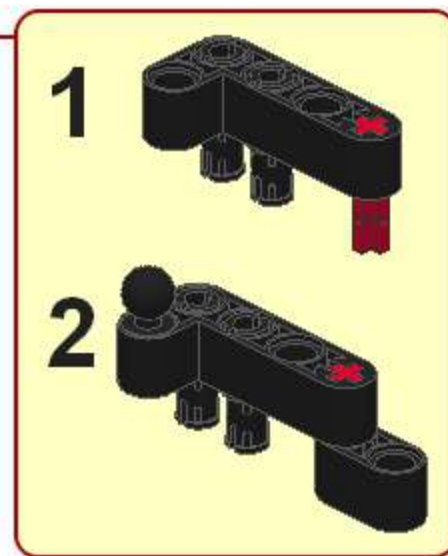
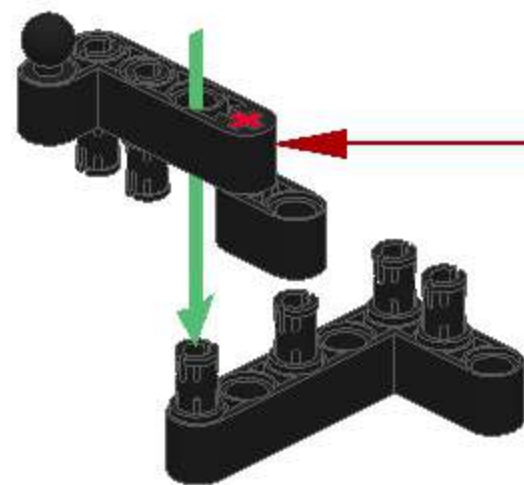
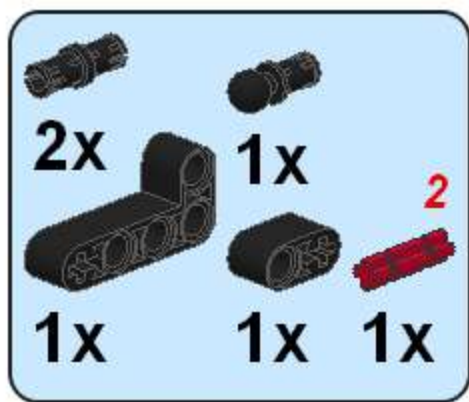


- 
- 
- 

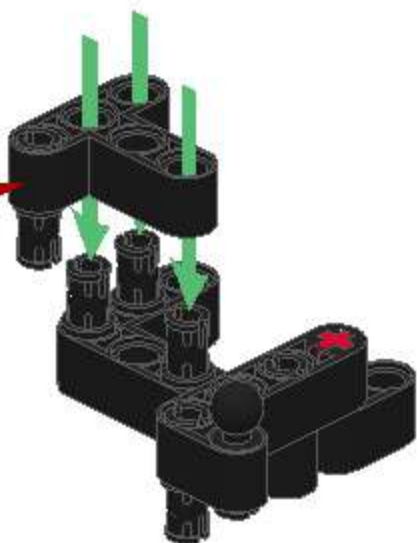
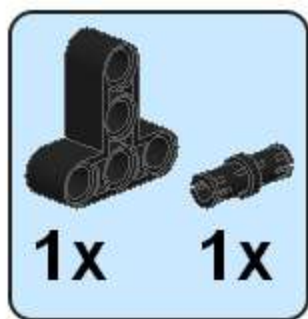




2

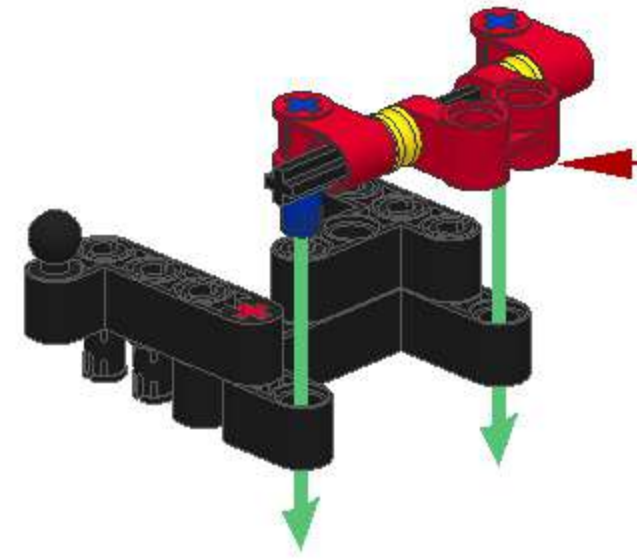


3



4

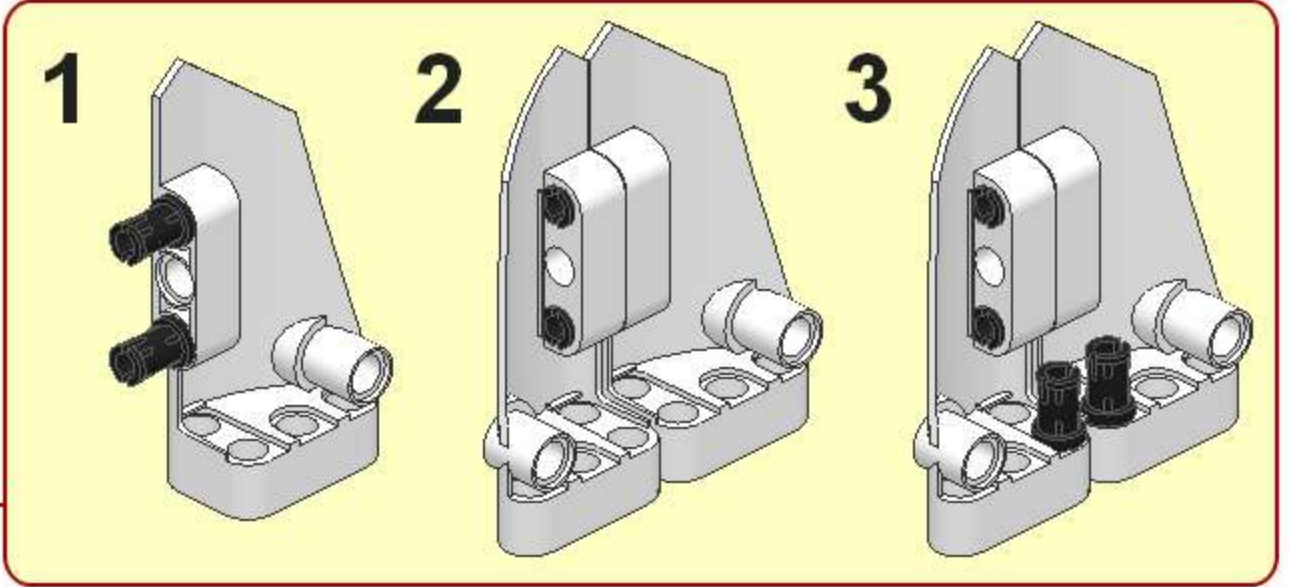
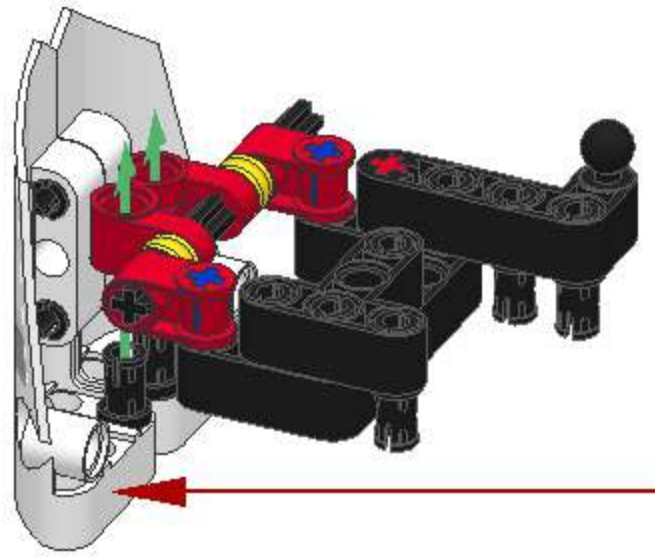
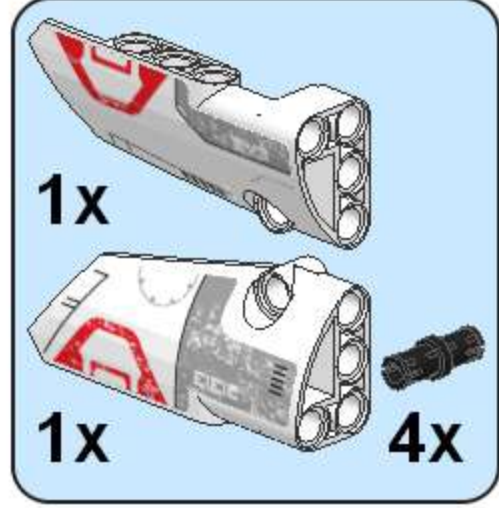
1x 2x
1x 2x 2x



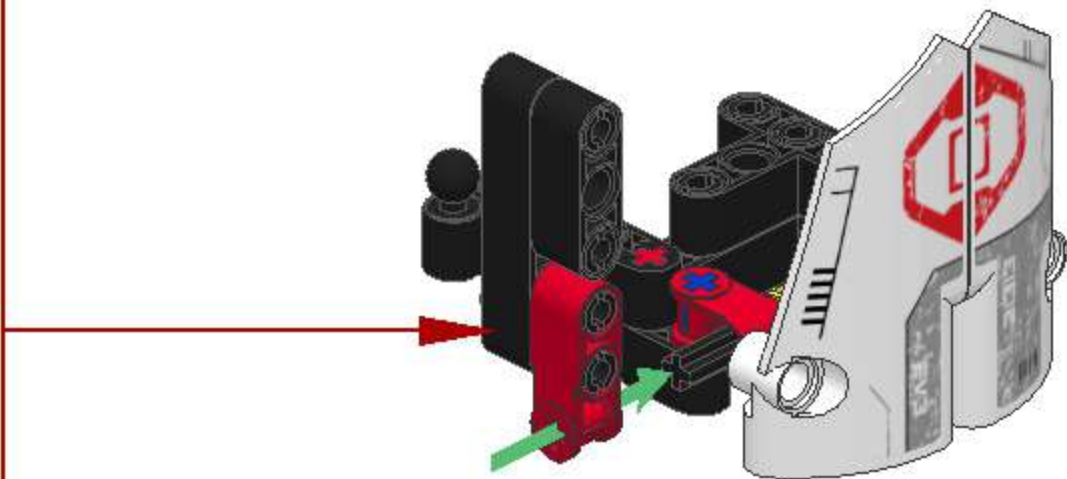
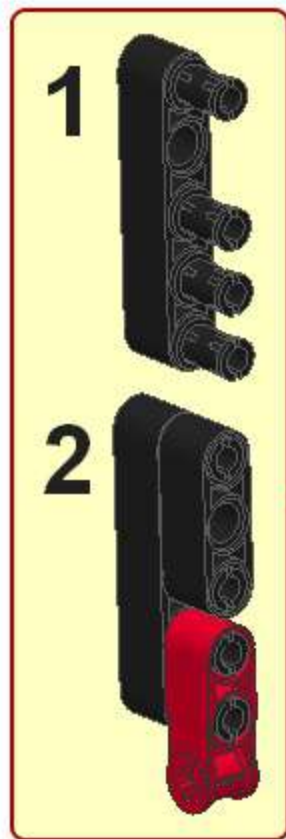
1 2

x2

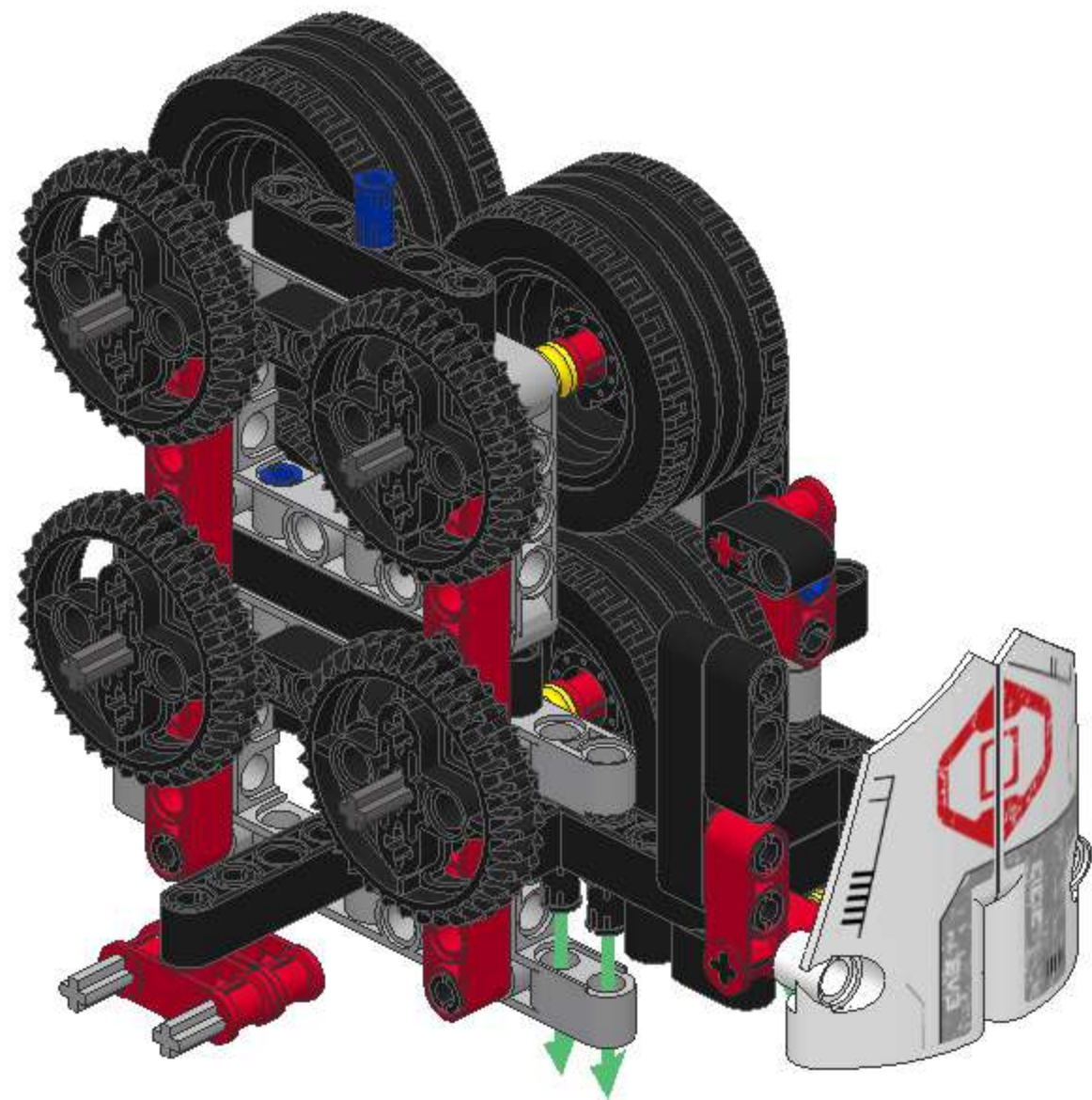
5



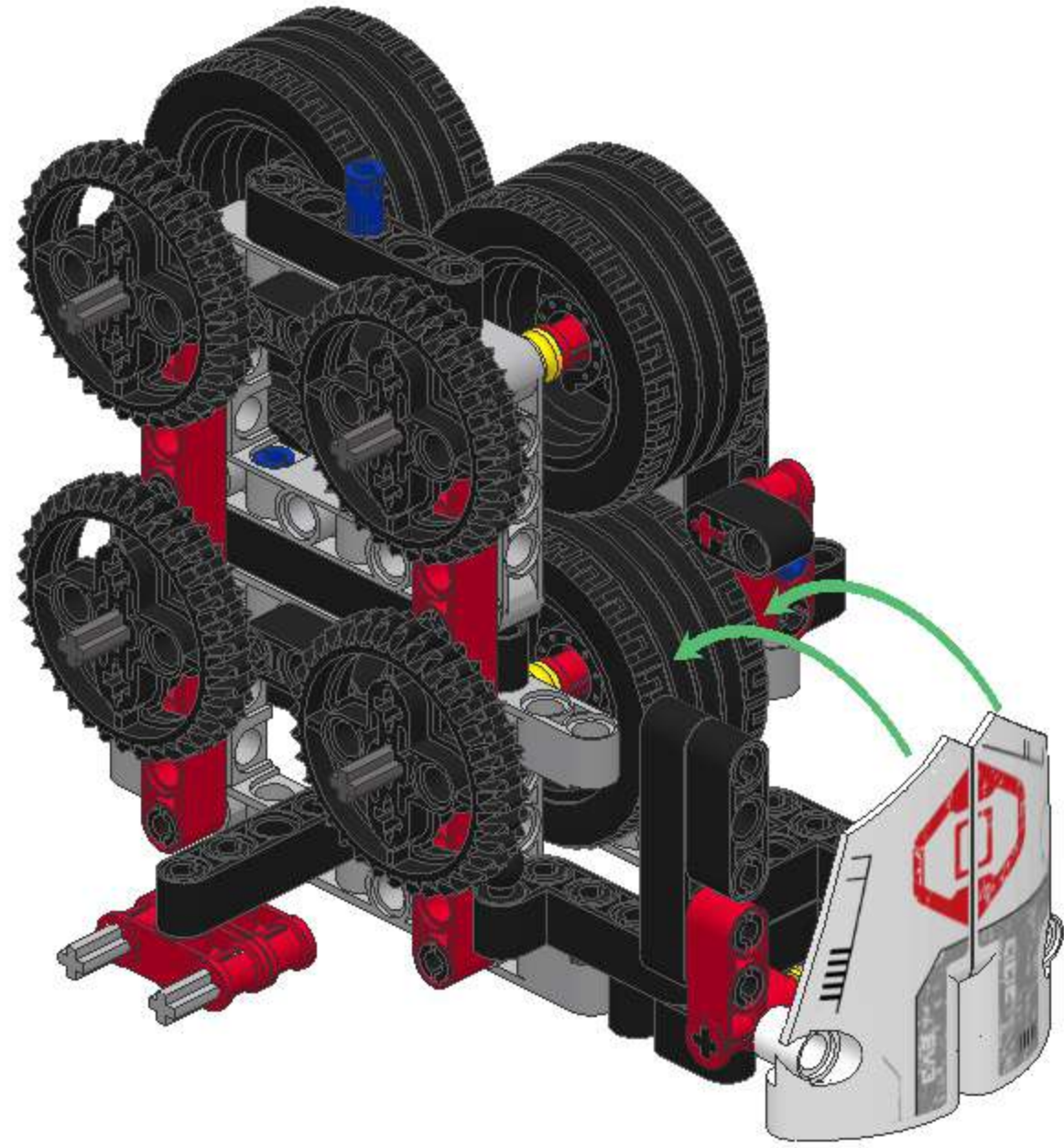
6



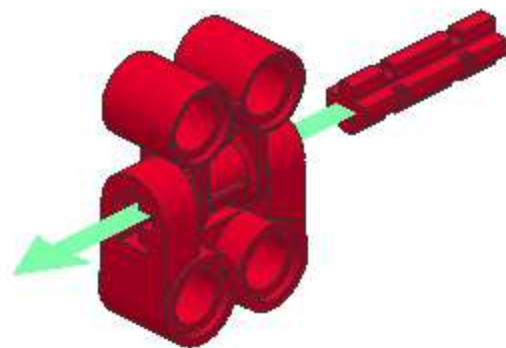
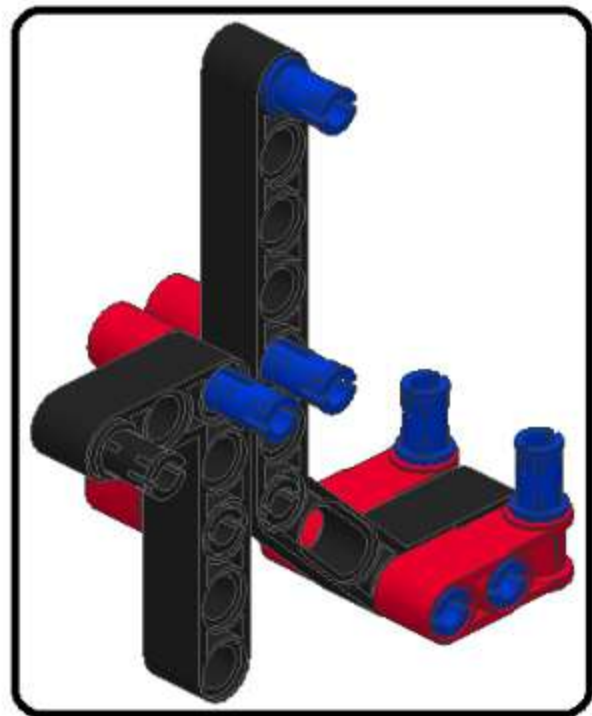
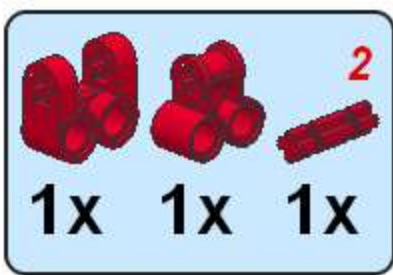
14

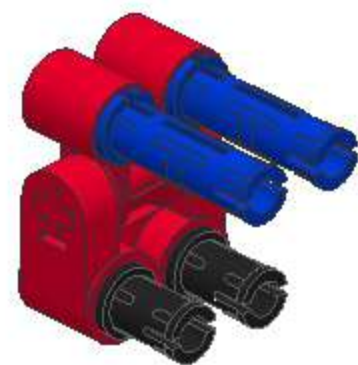


15

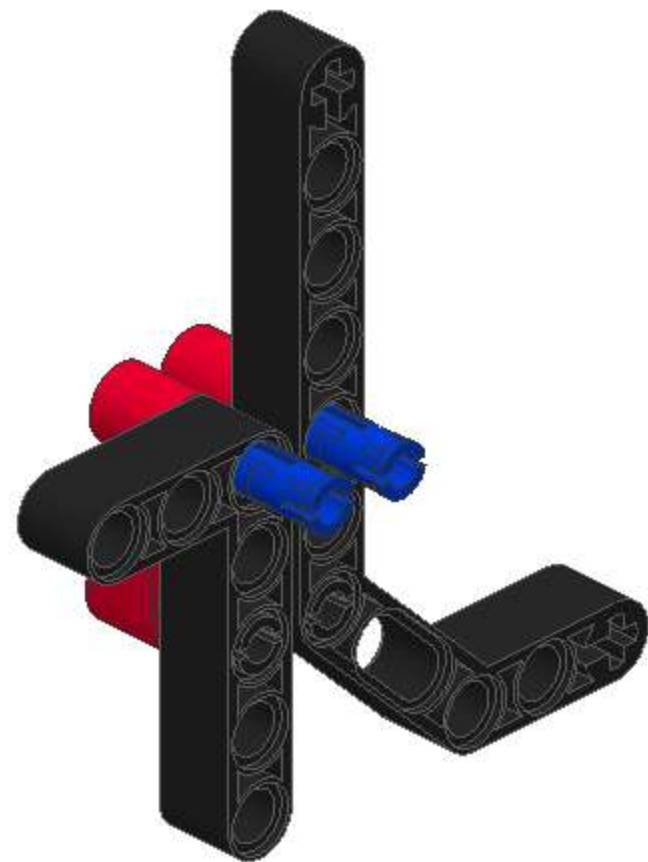
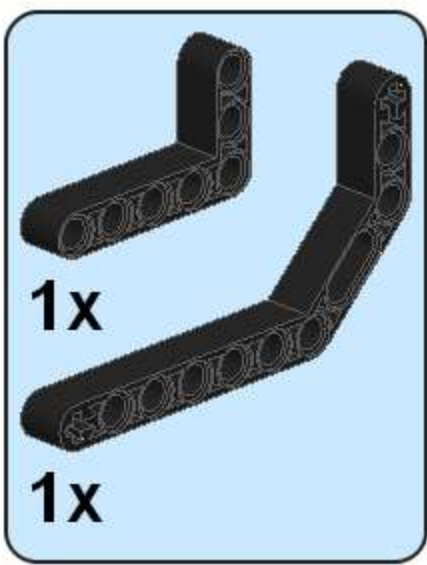


1

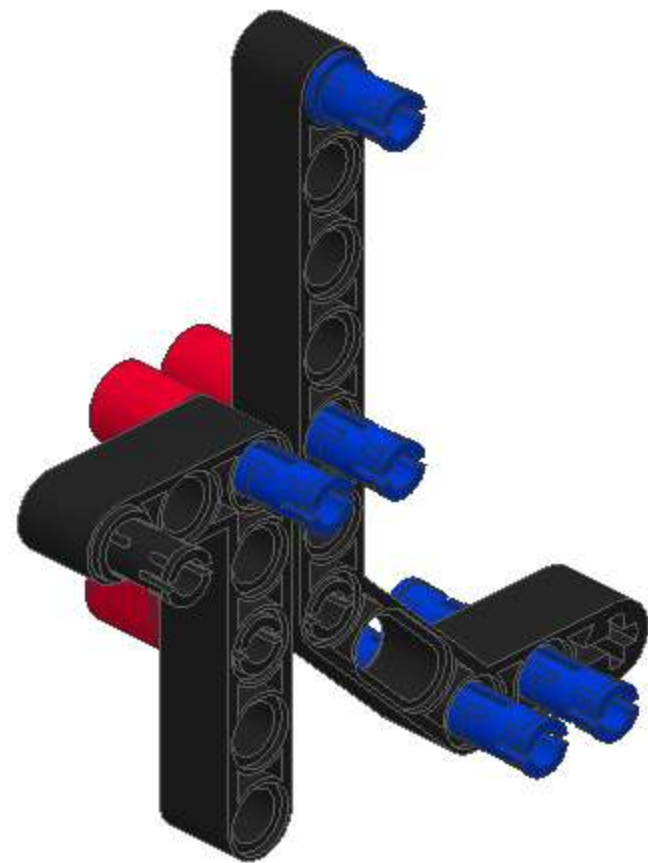
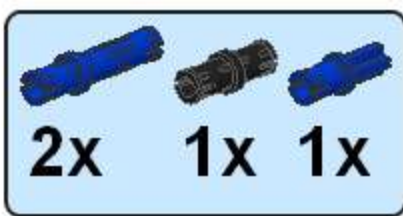




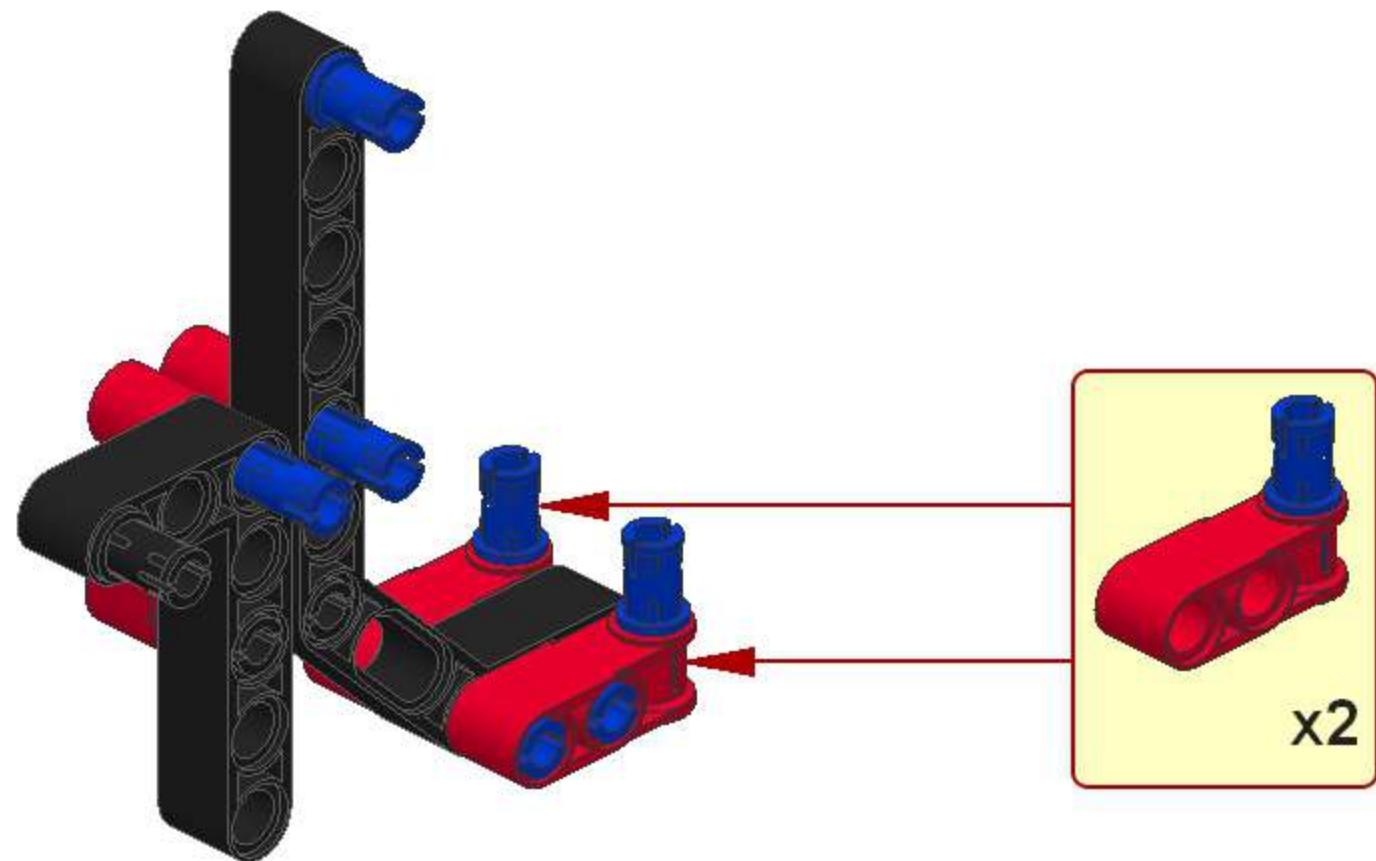
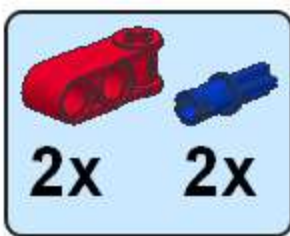
3



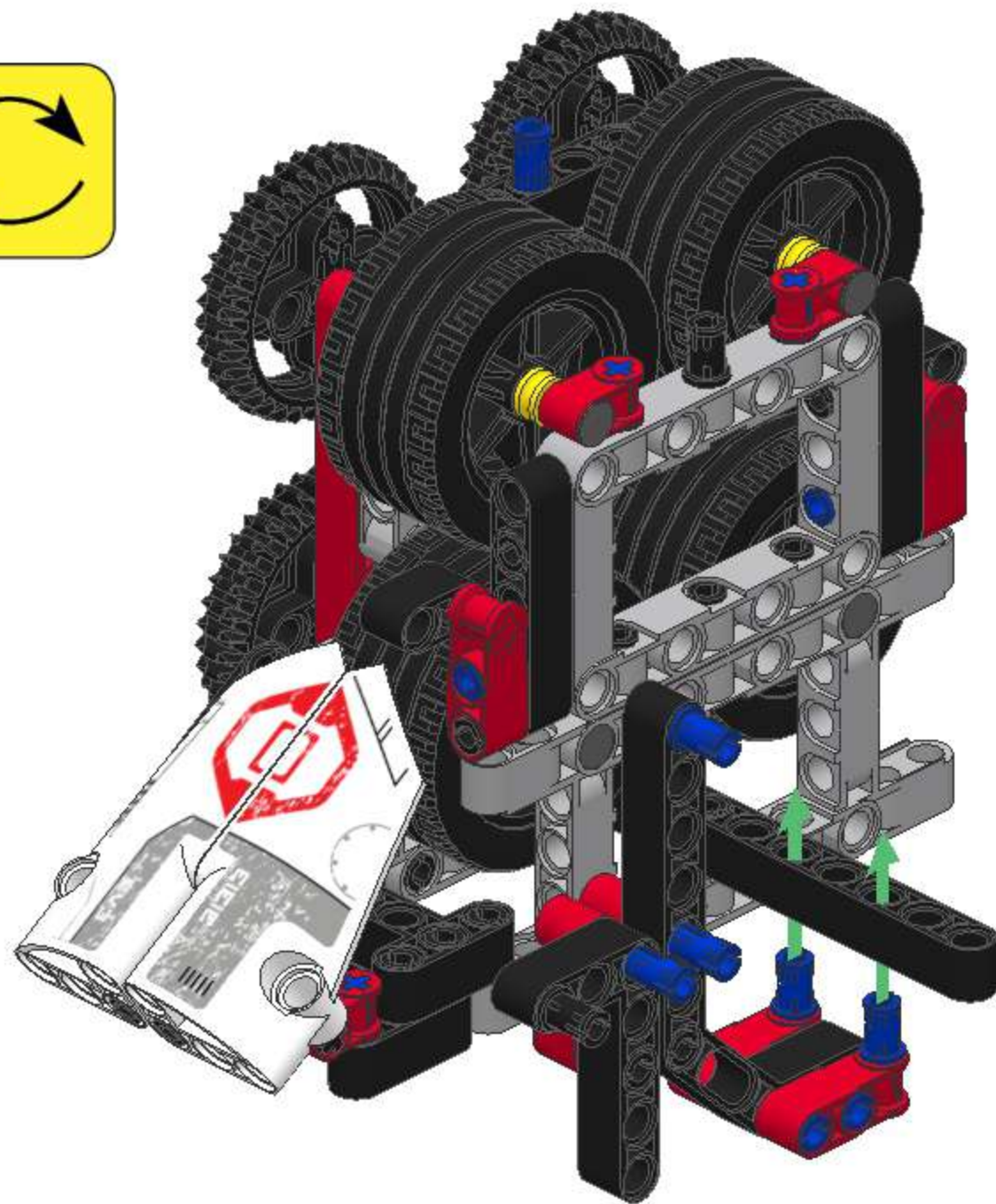
4



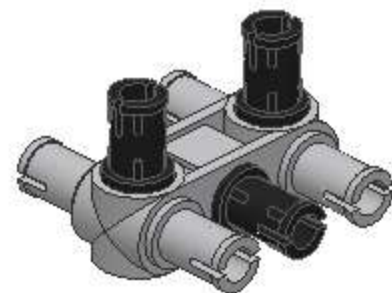
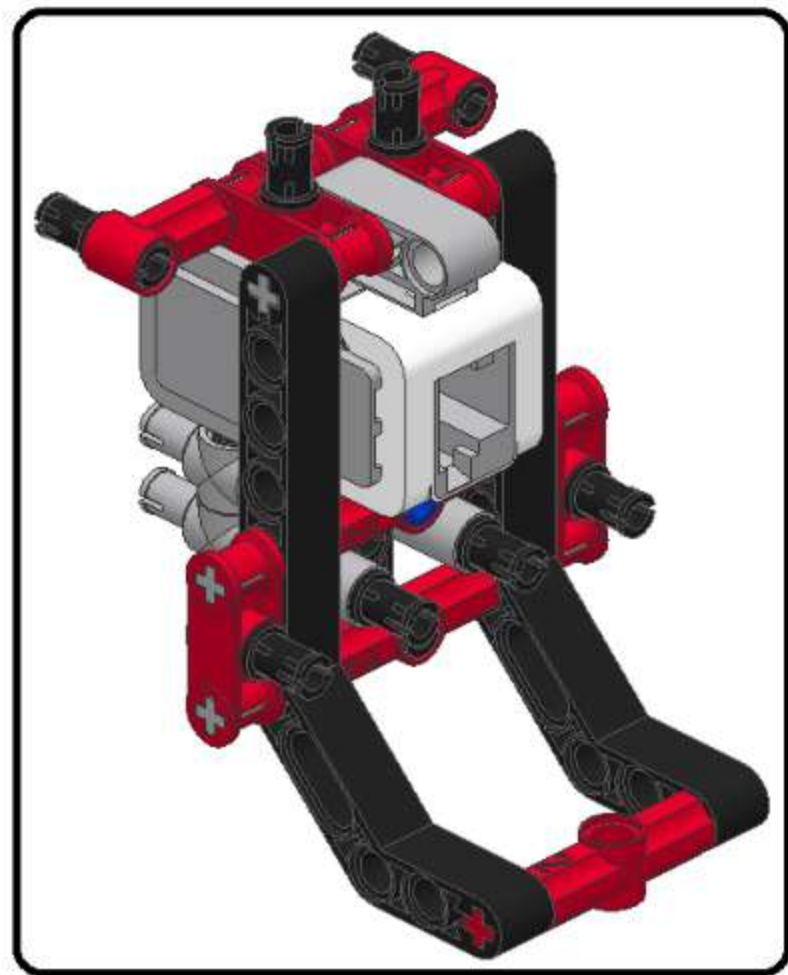
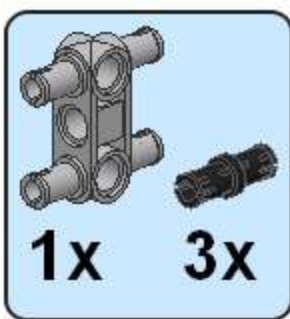
5



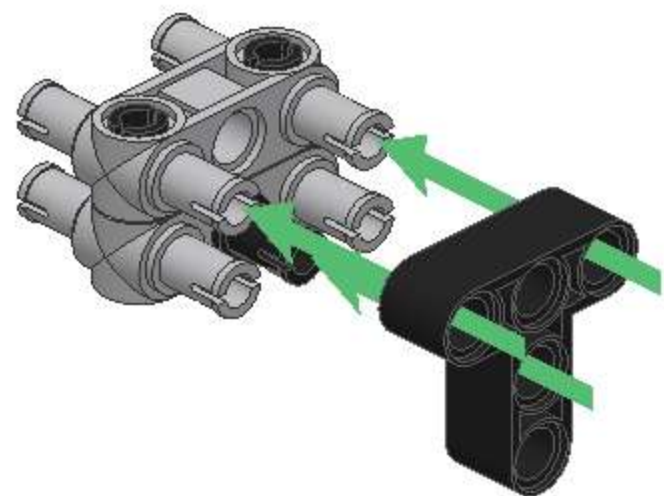
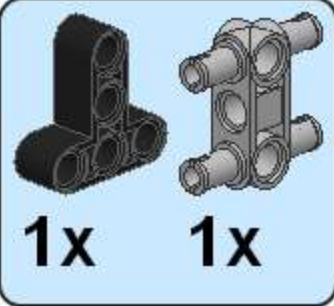
16



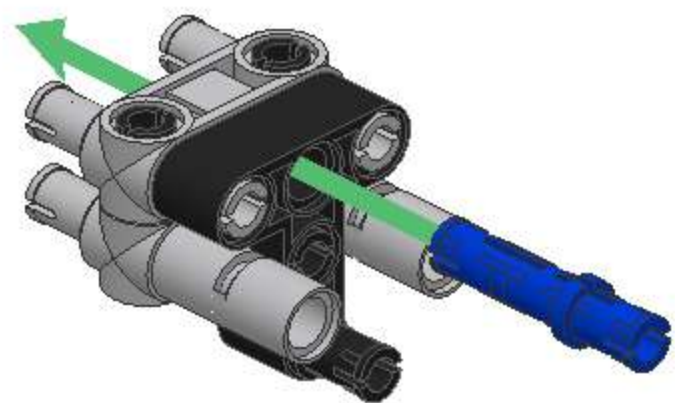
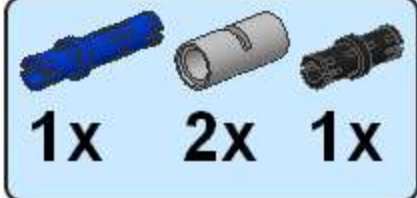
1



2

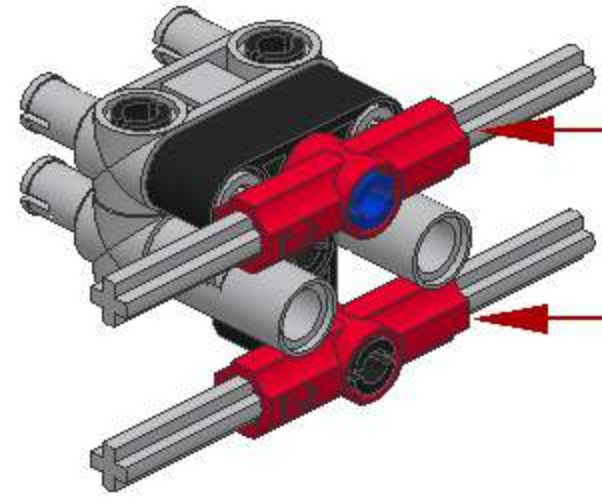


3



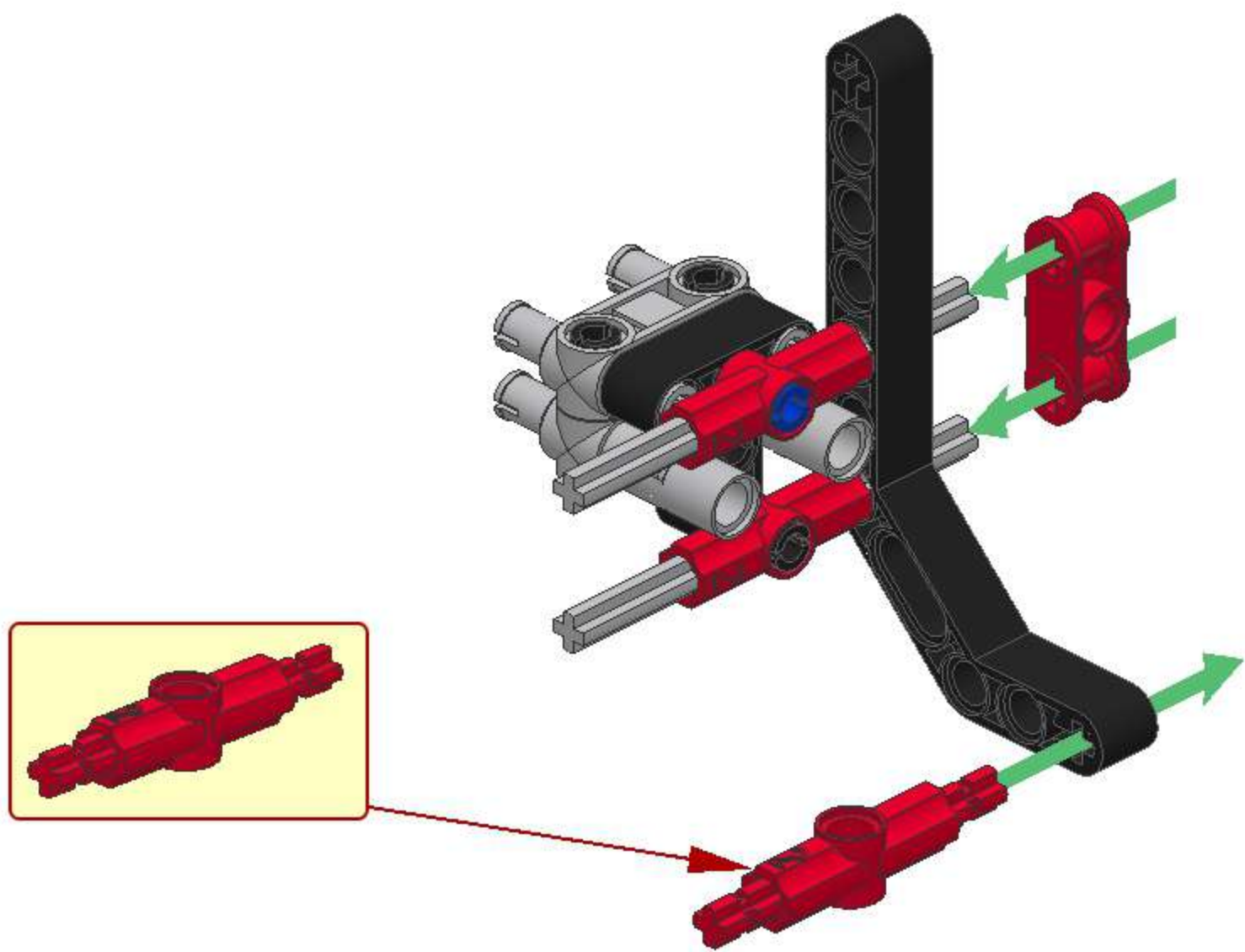
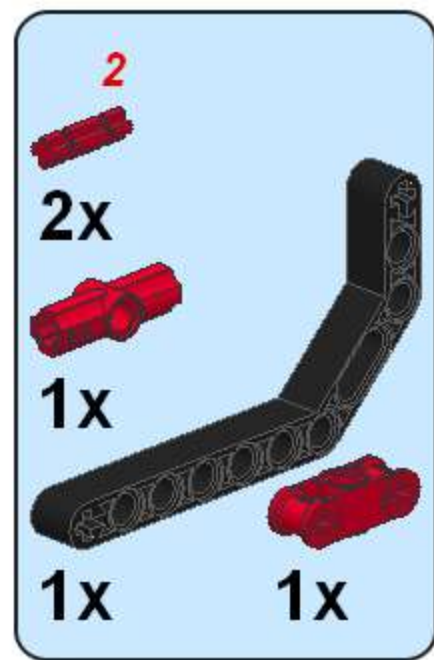
4

3
4x
2x

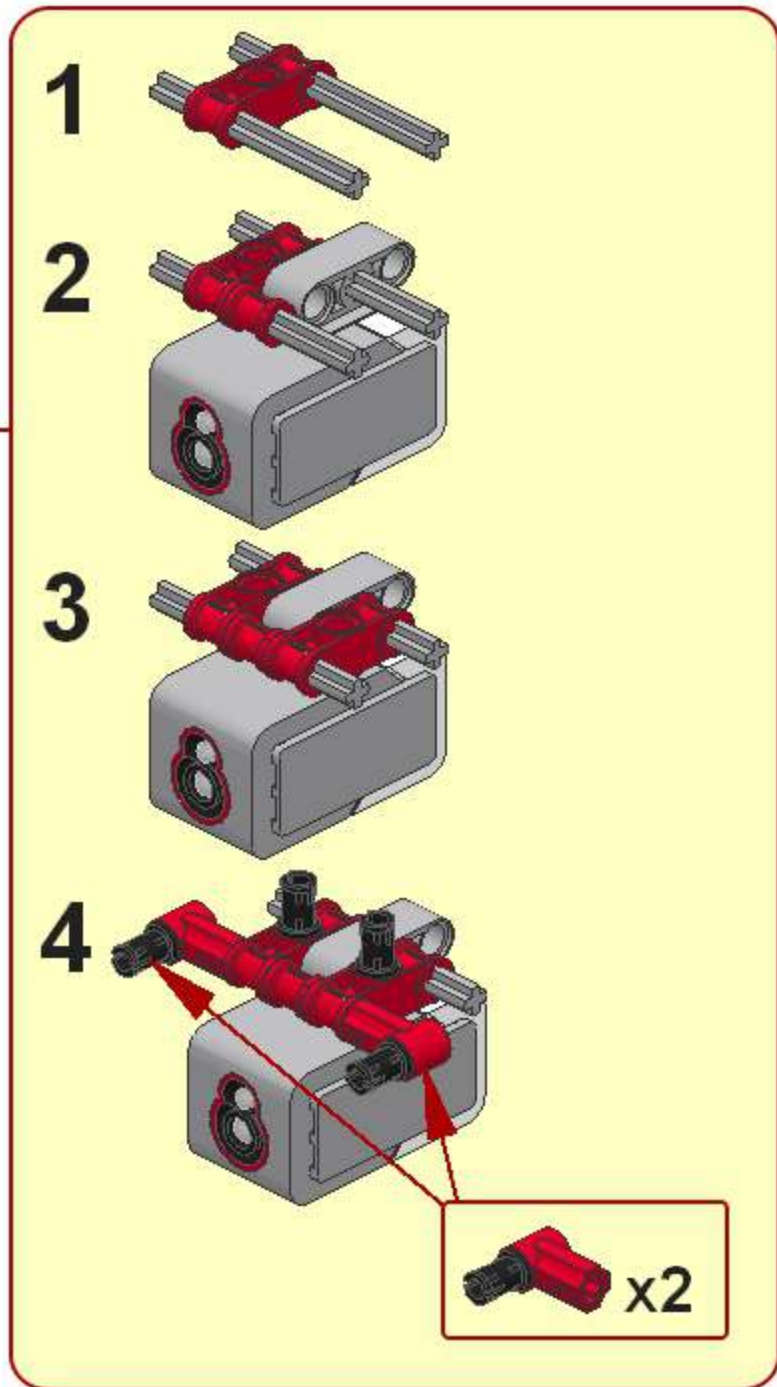
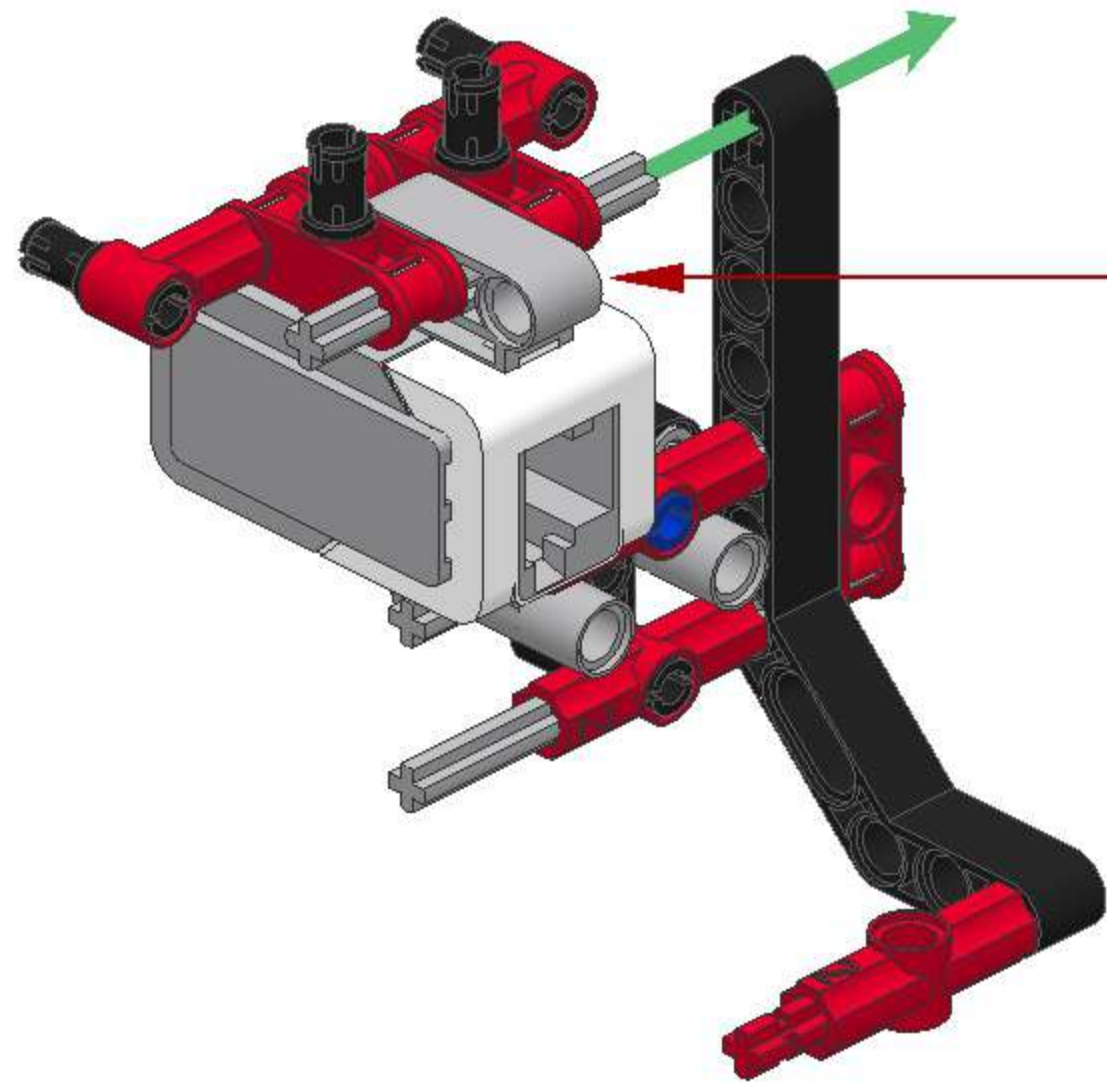
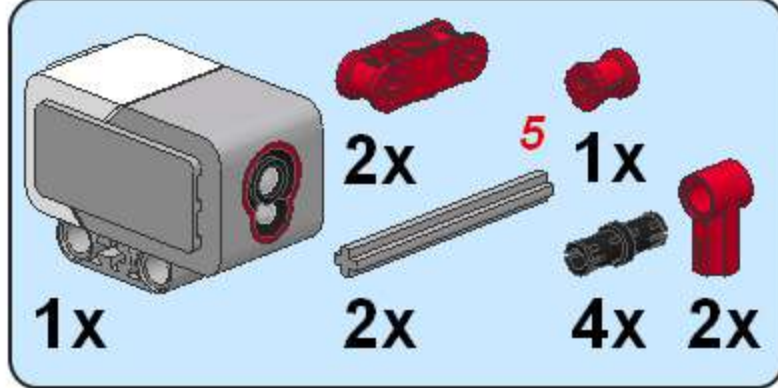


x2

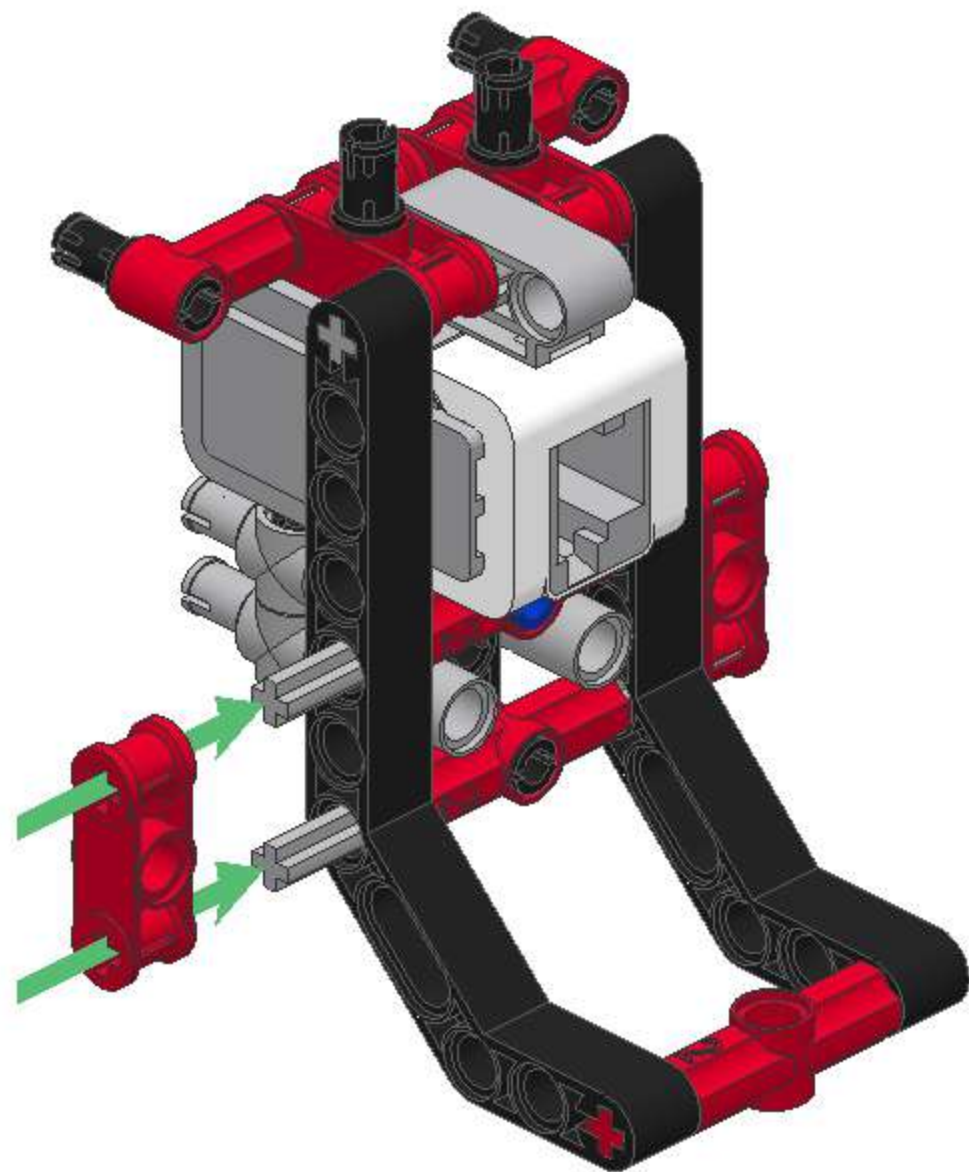
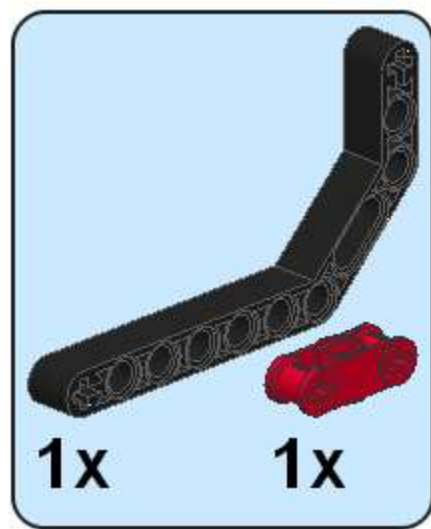
5



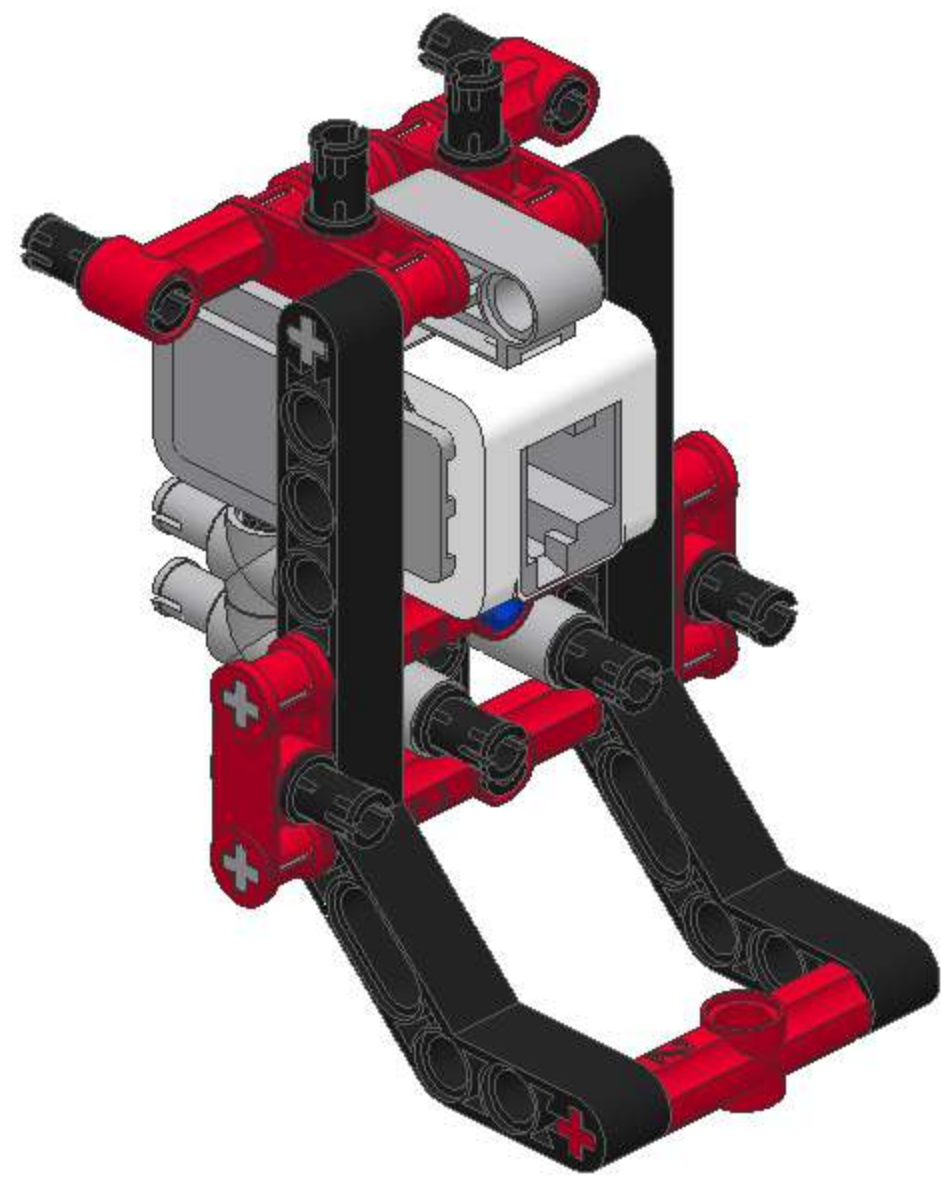
6



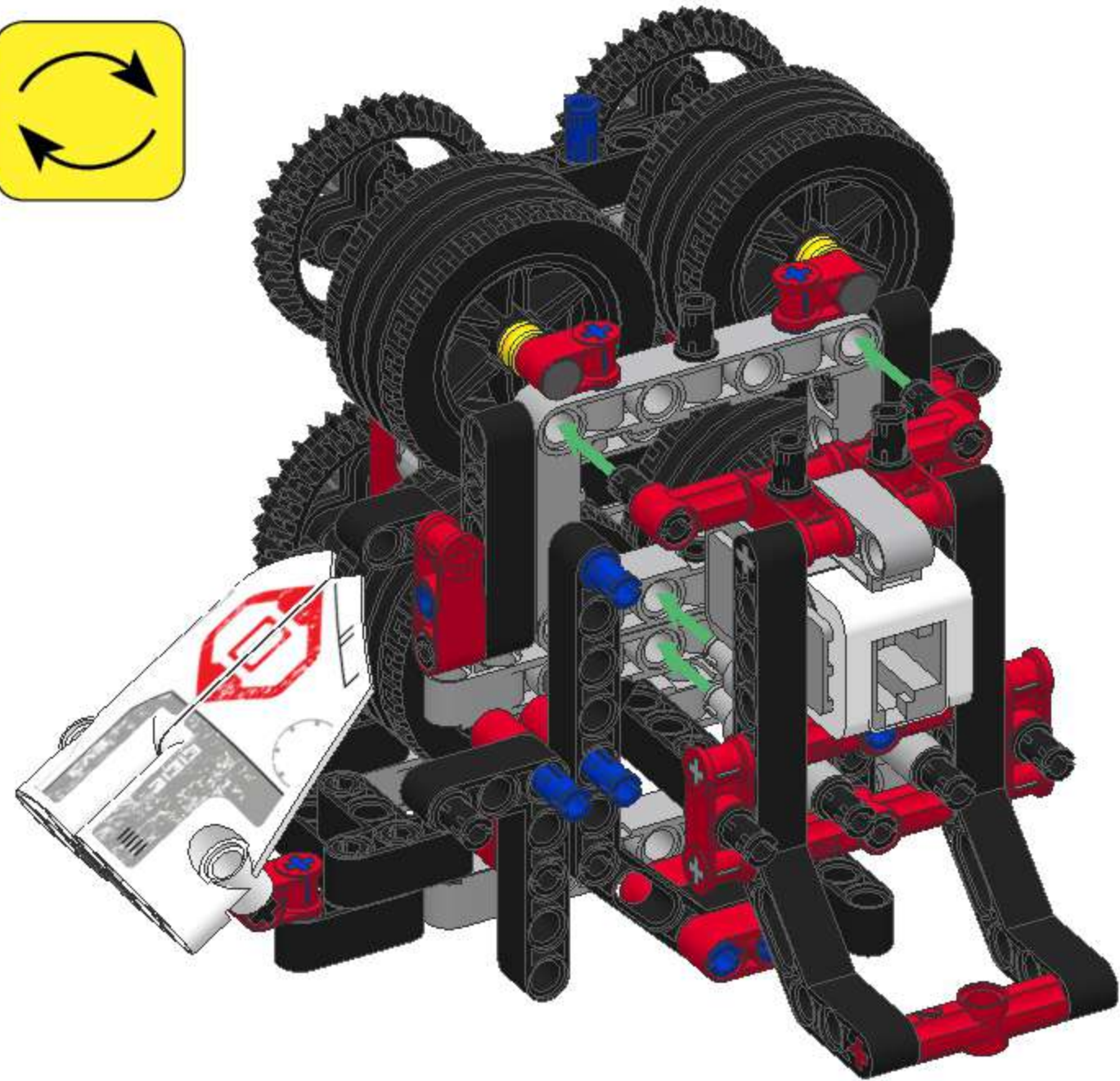
7



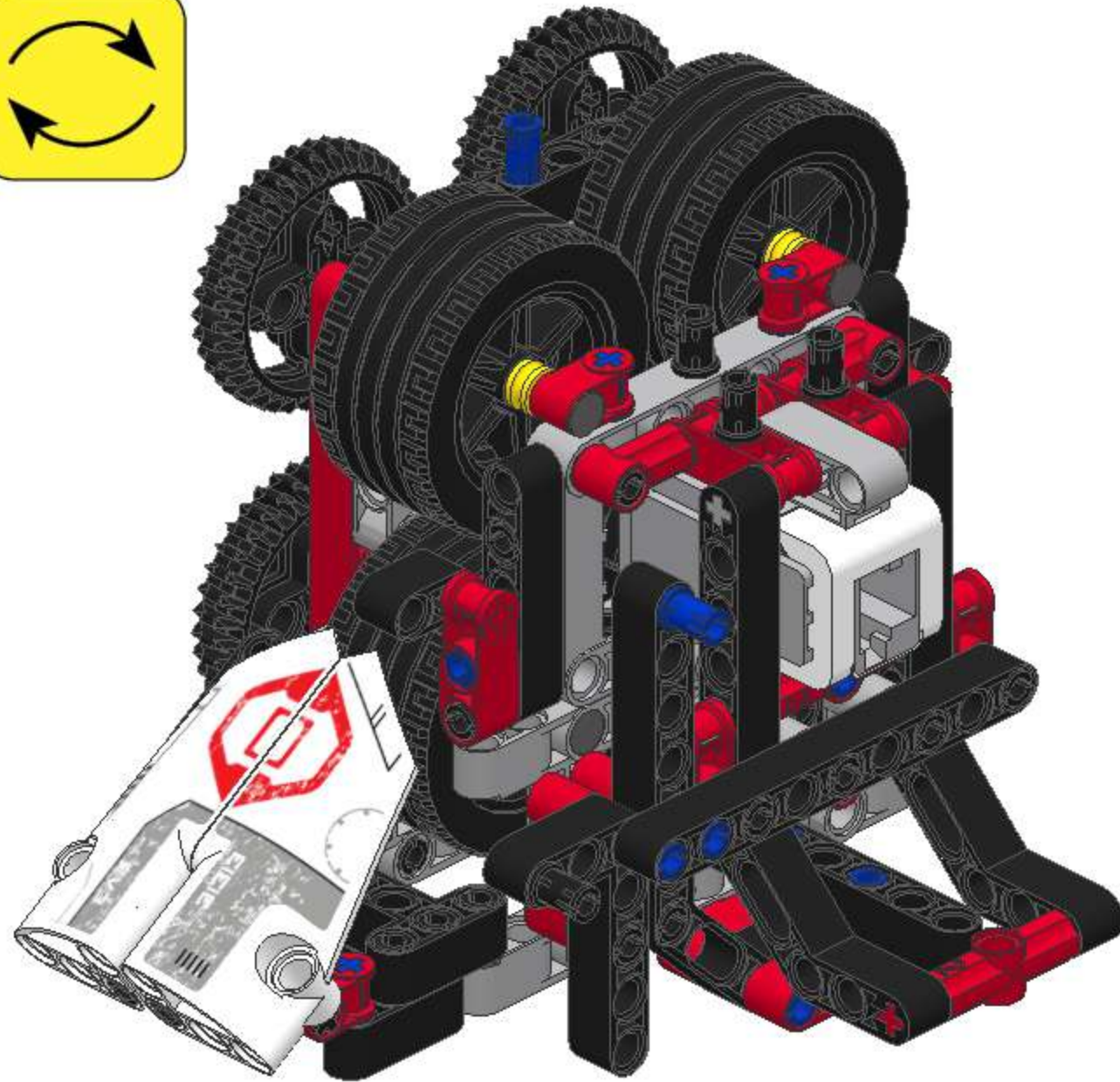
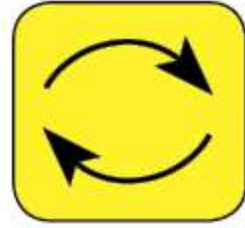
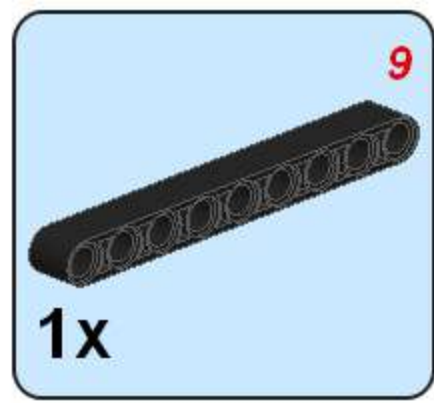
8



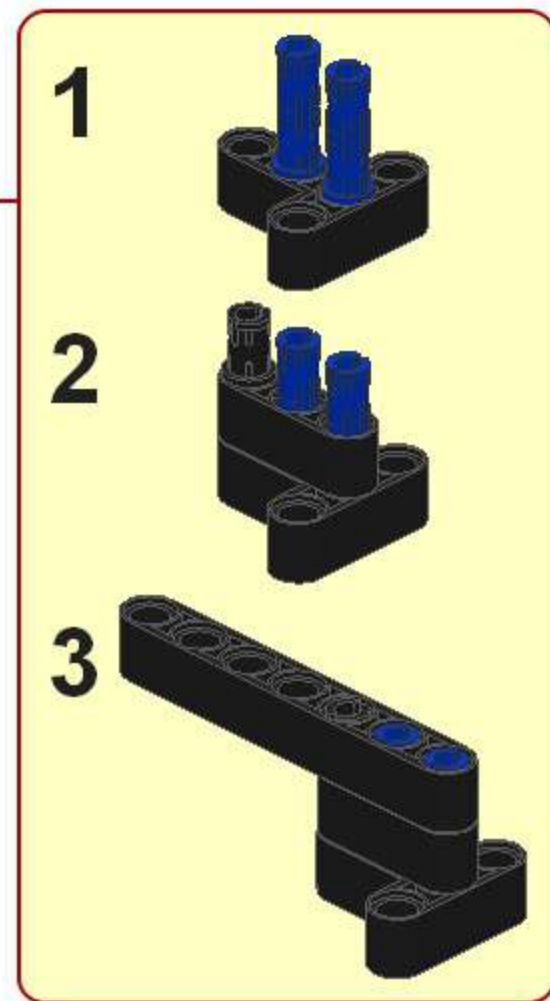
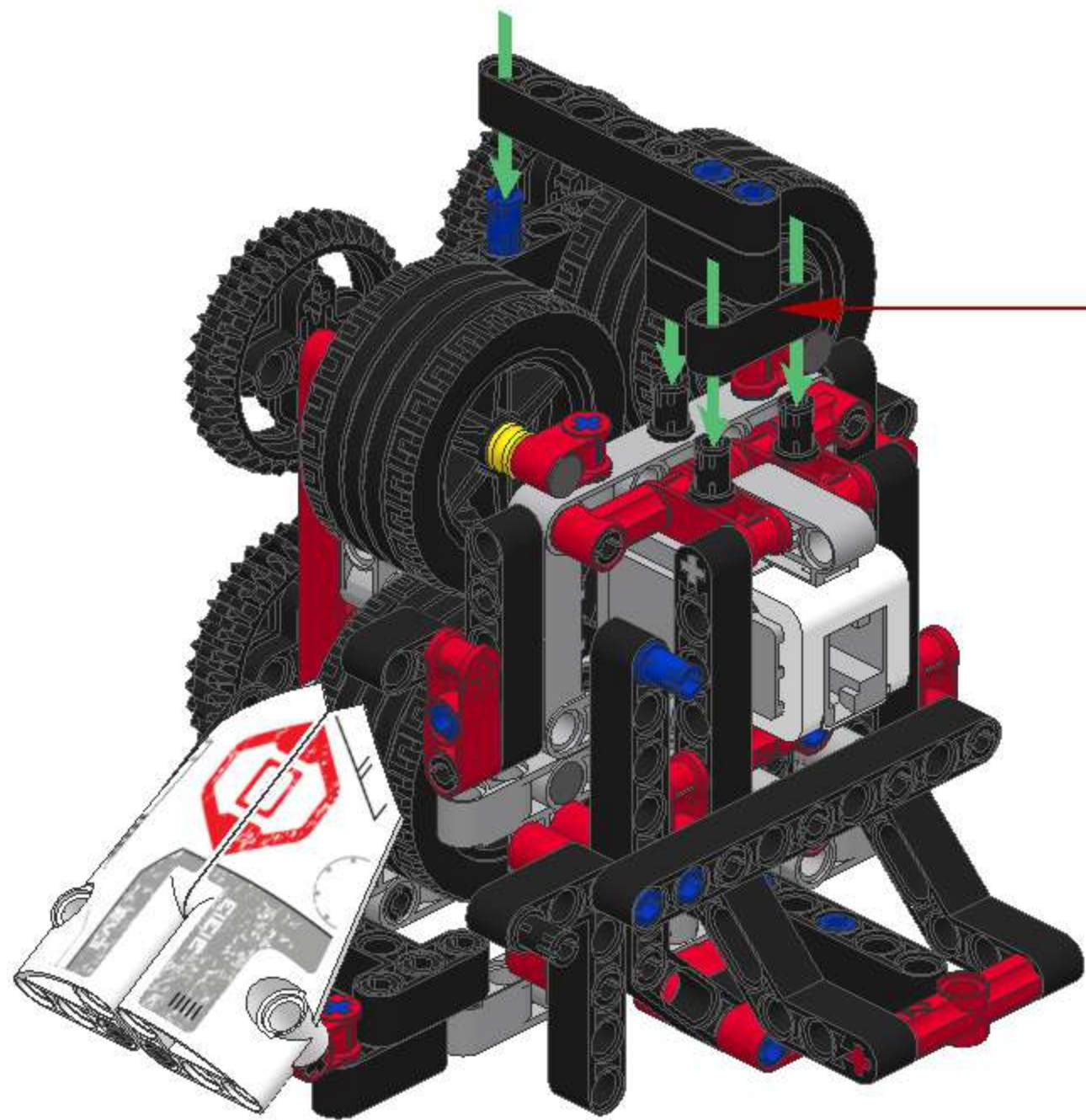
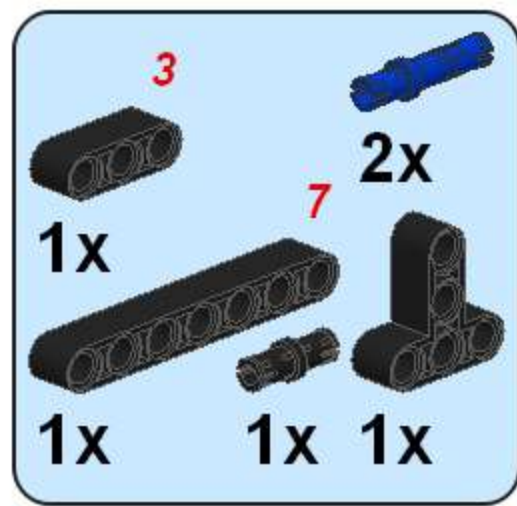
17



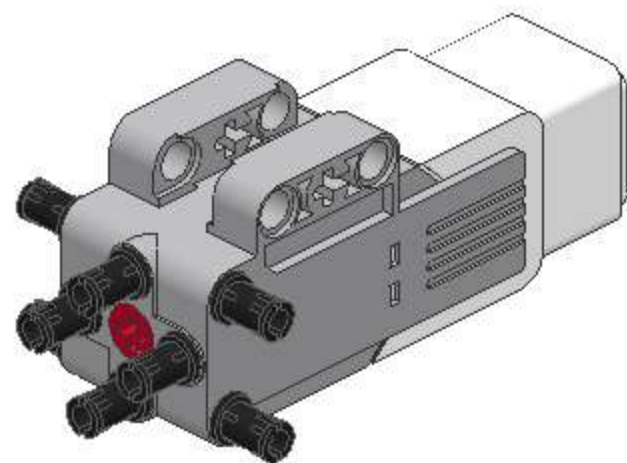
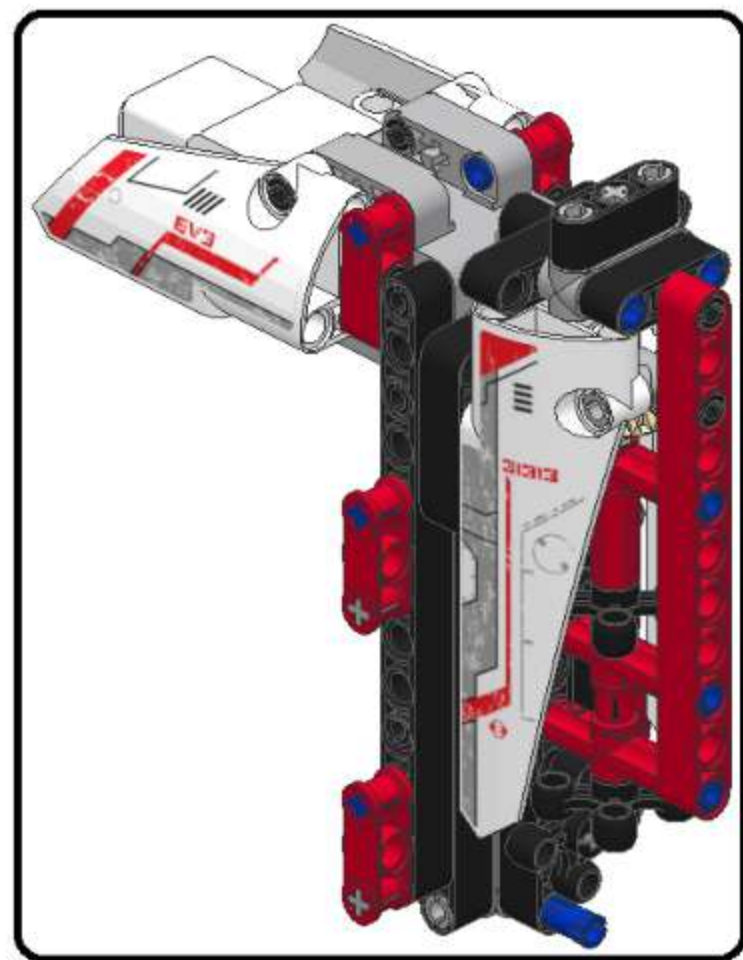
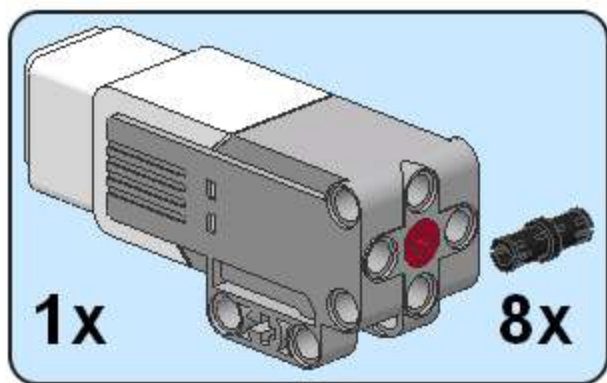
18



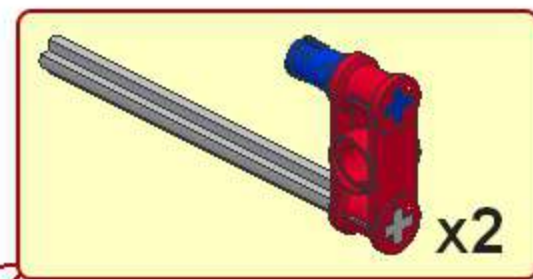
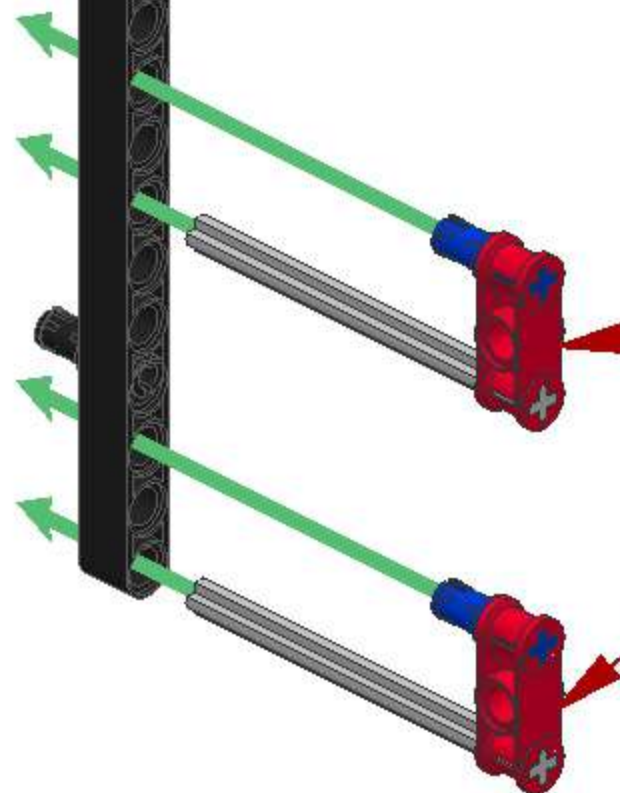
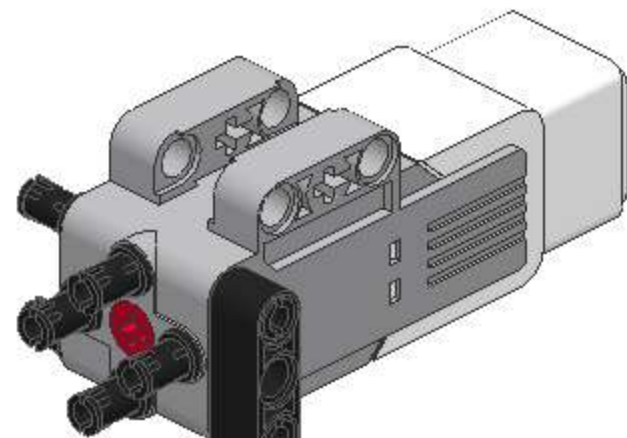
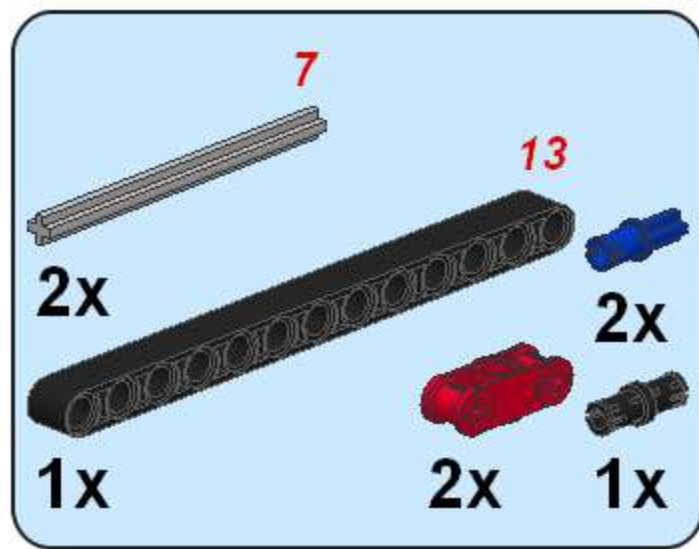
19



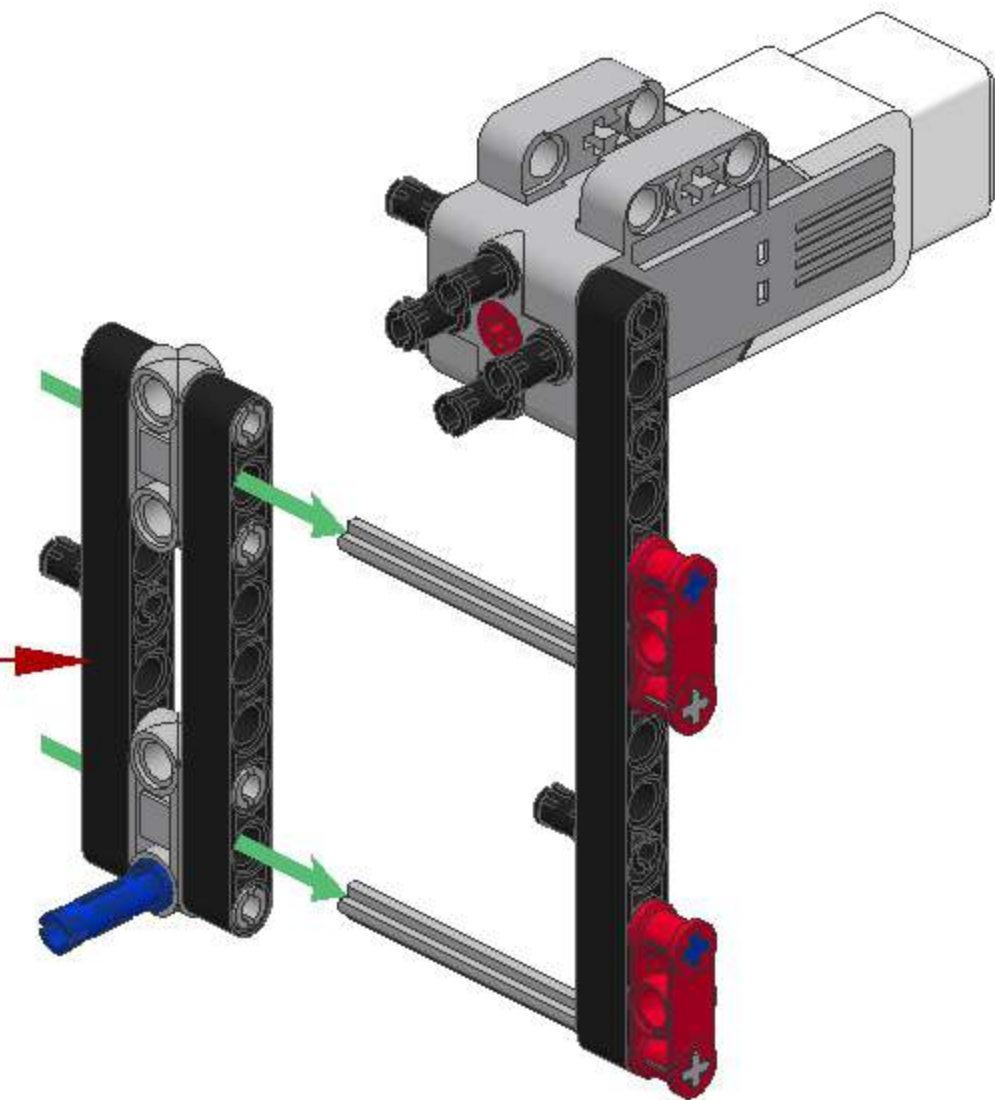
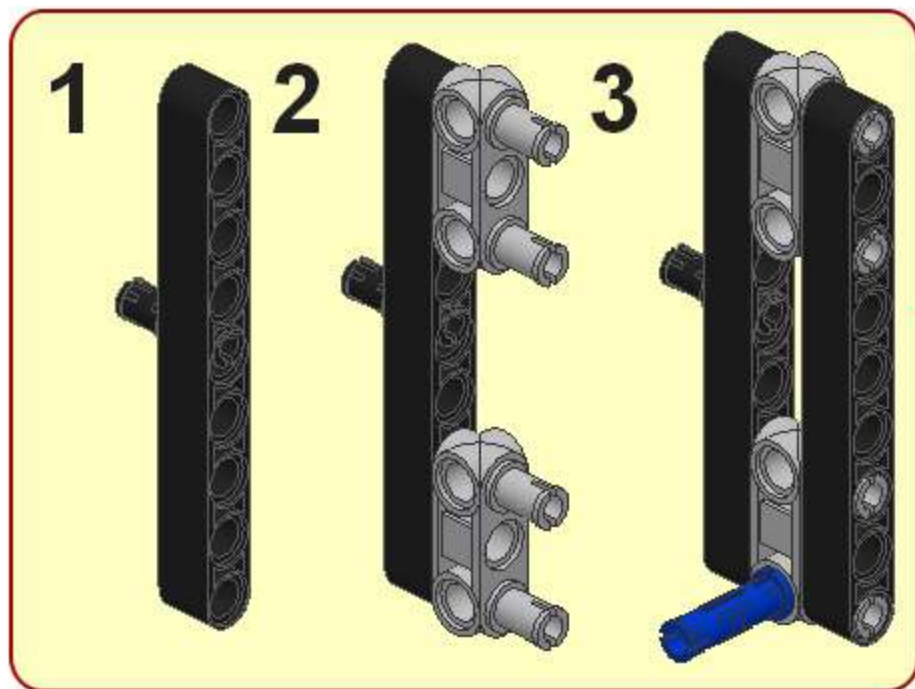
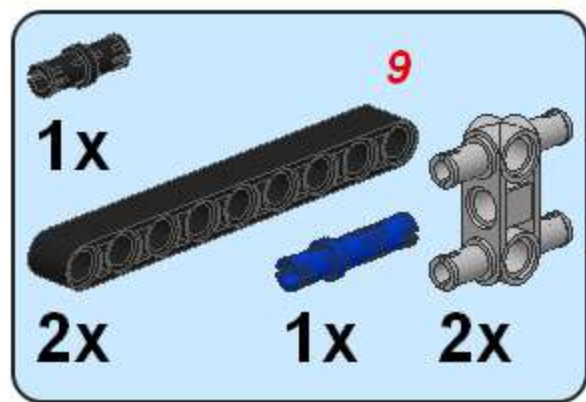
1



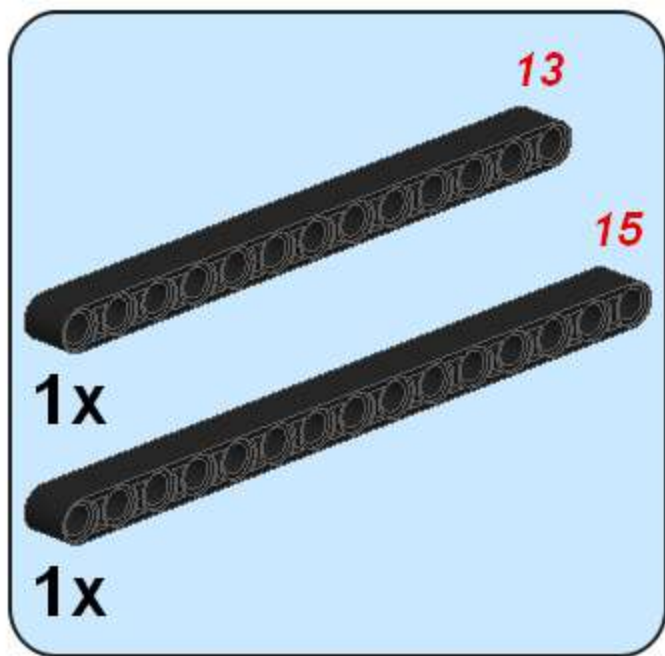
2



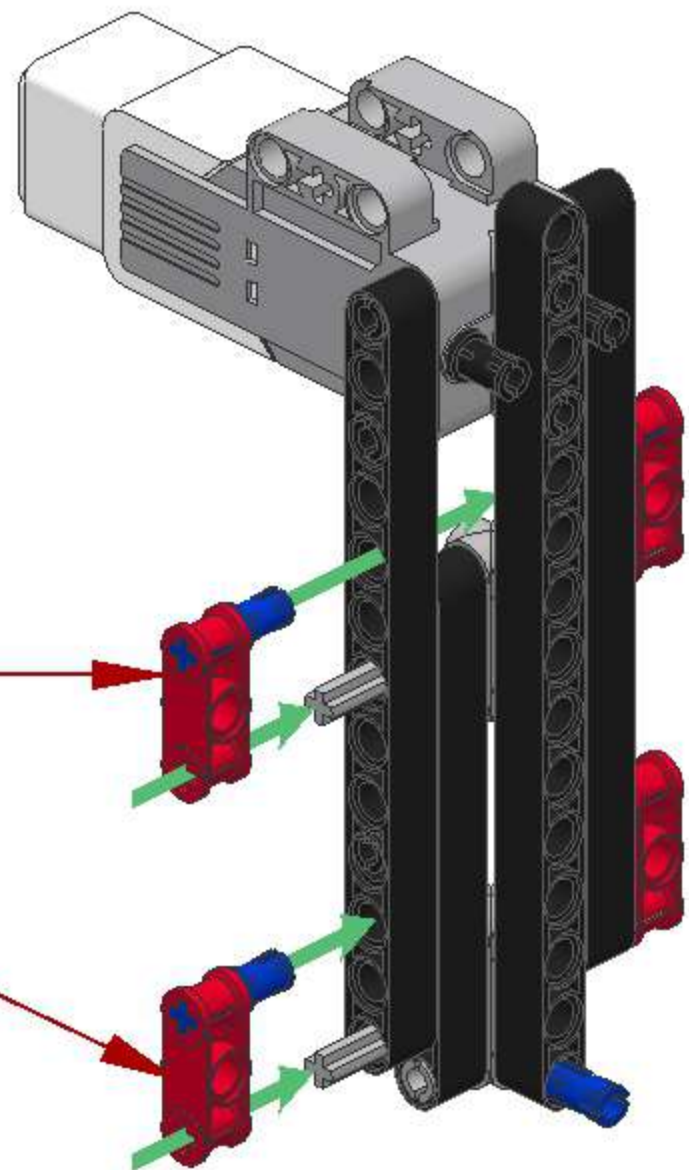
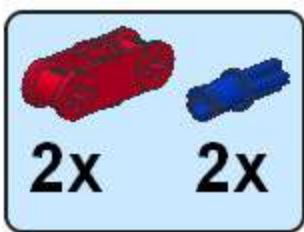
3



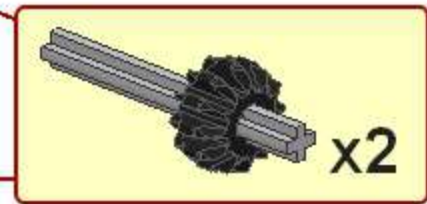
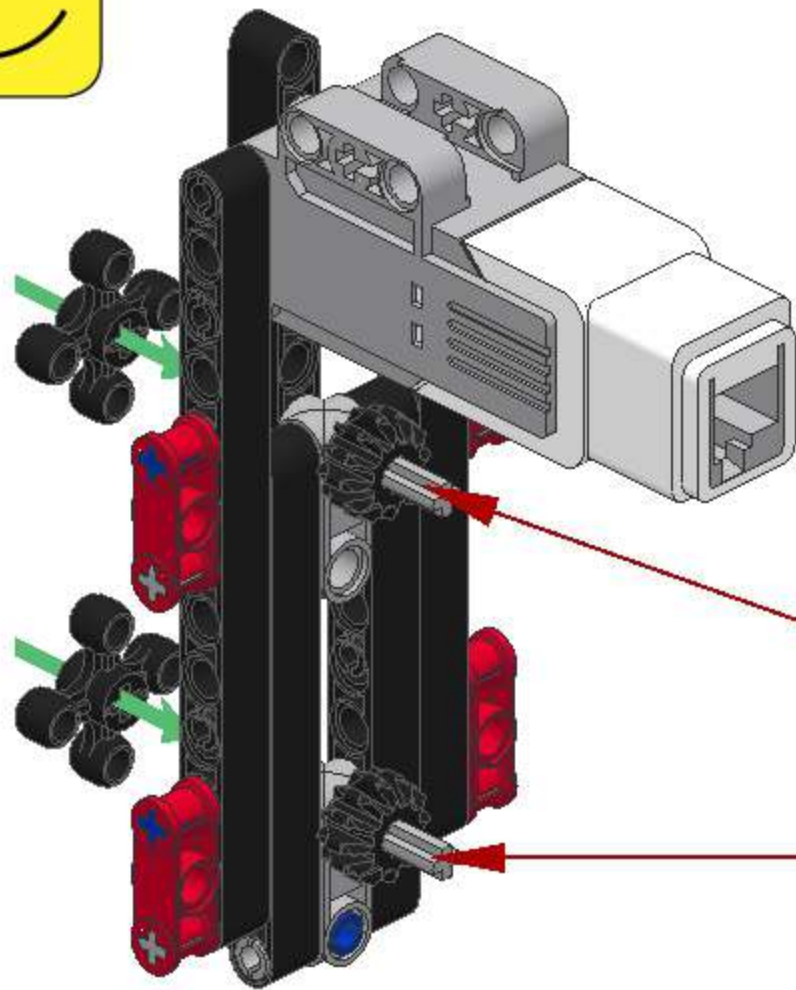
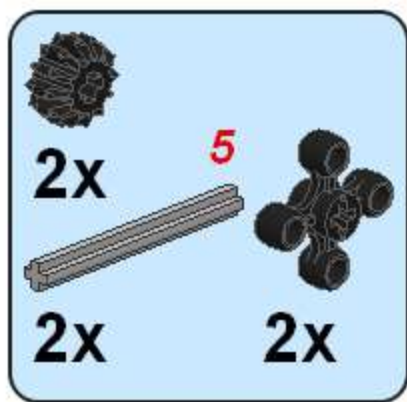
4



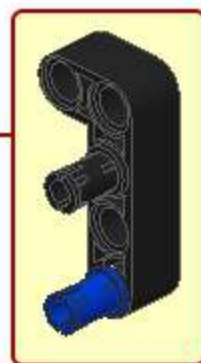
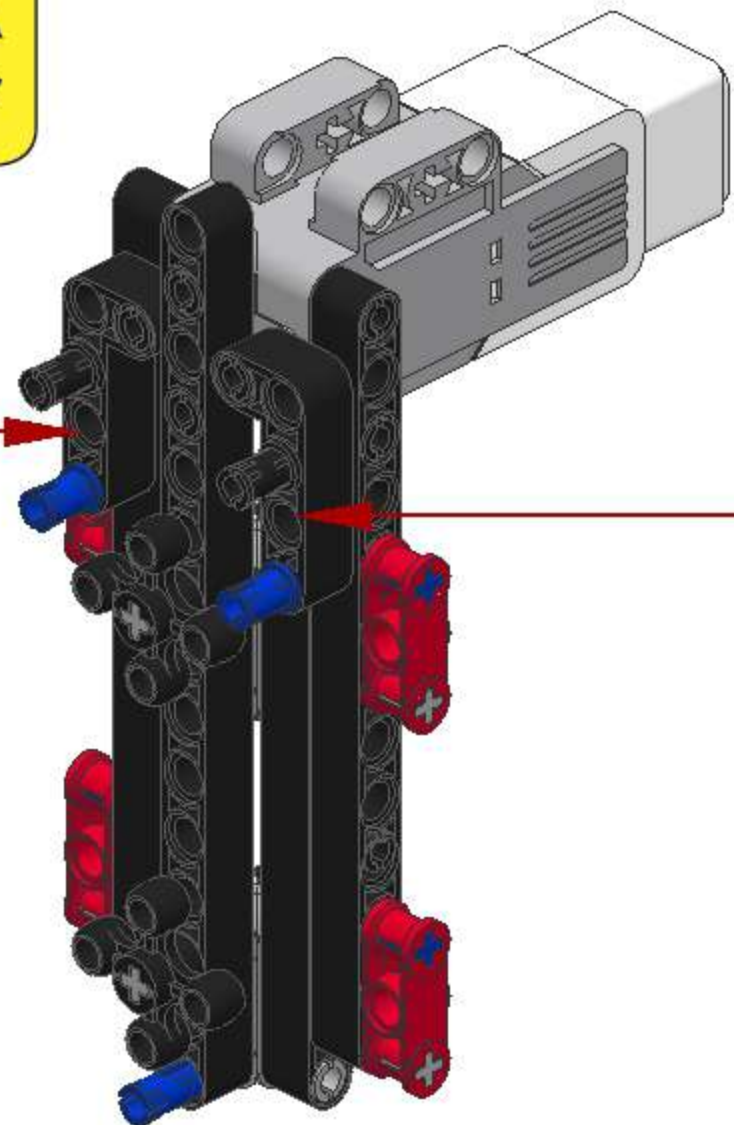
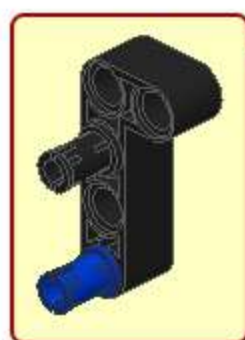
5



6

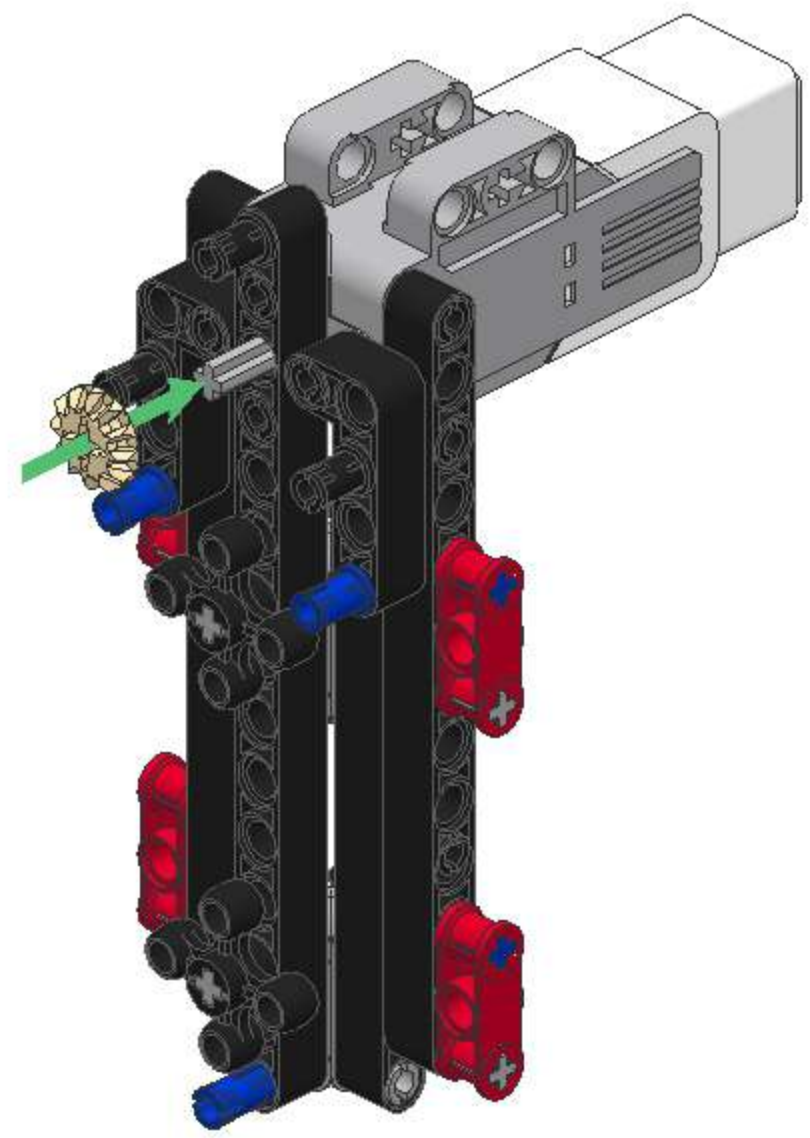


7

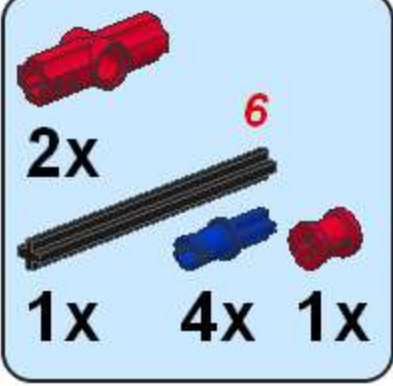


8

- 1x 
- 1x 
- 1x ³ 
- 1x 



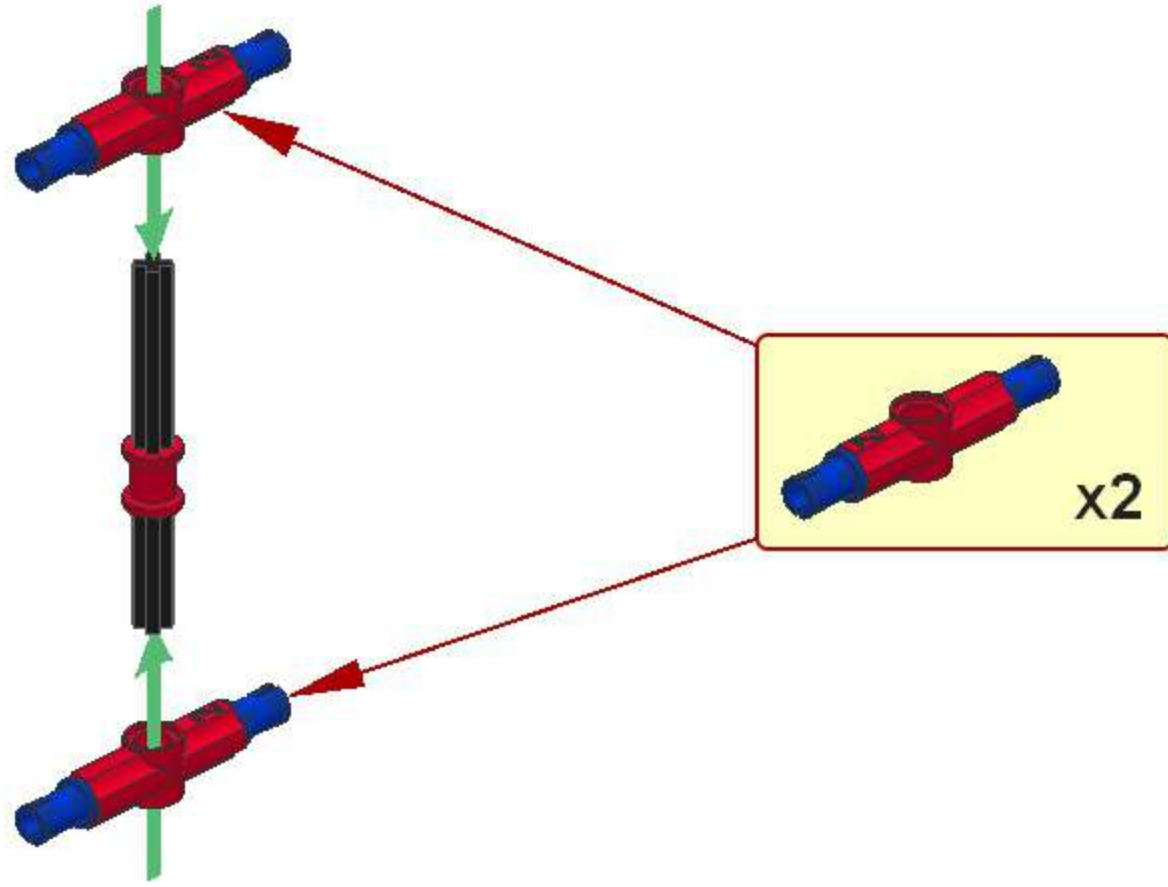
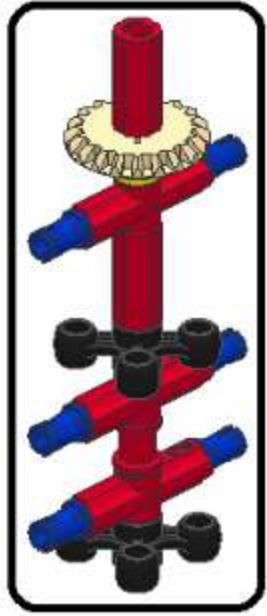
1



2x
1x 4x 1x

6

This block lists the required parts for step 1: 2x red Technic axles, 1x black Technic axle, 4x blue Technic pins, and 1x red Technic pin. A red number '6' is also present, likely indicating a part count for a sub-assembly.



2



1x

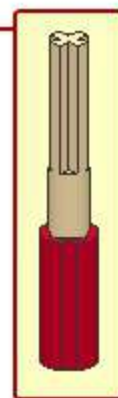
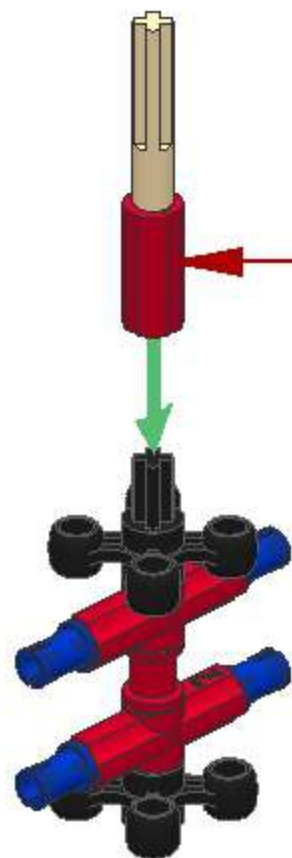


2x

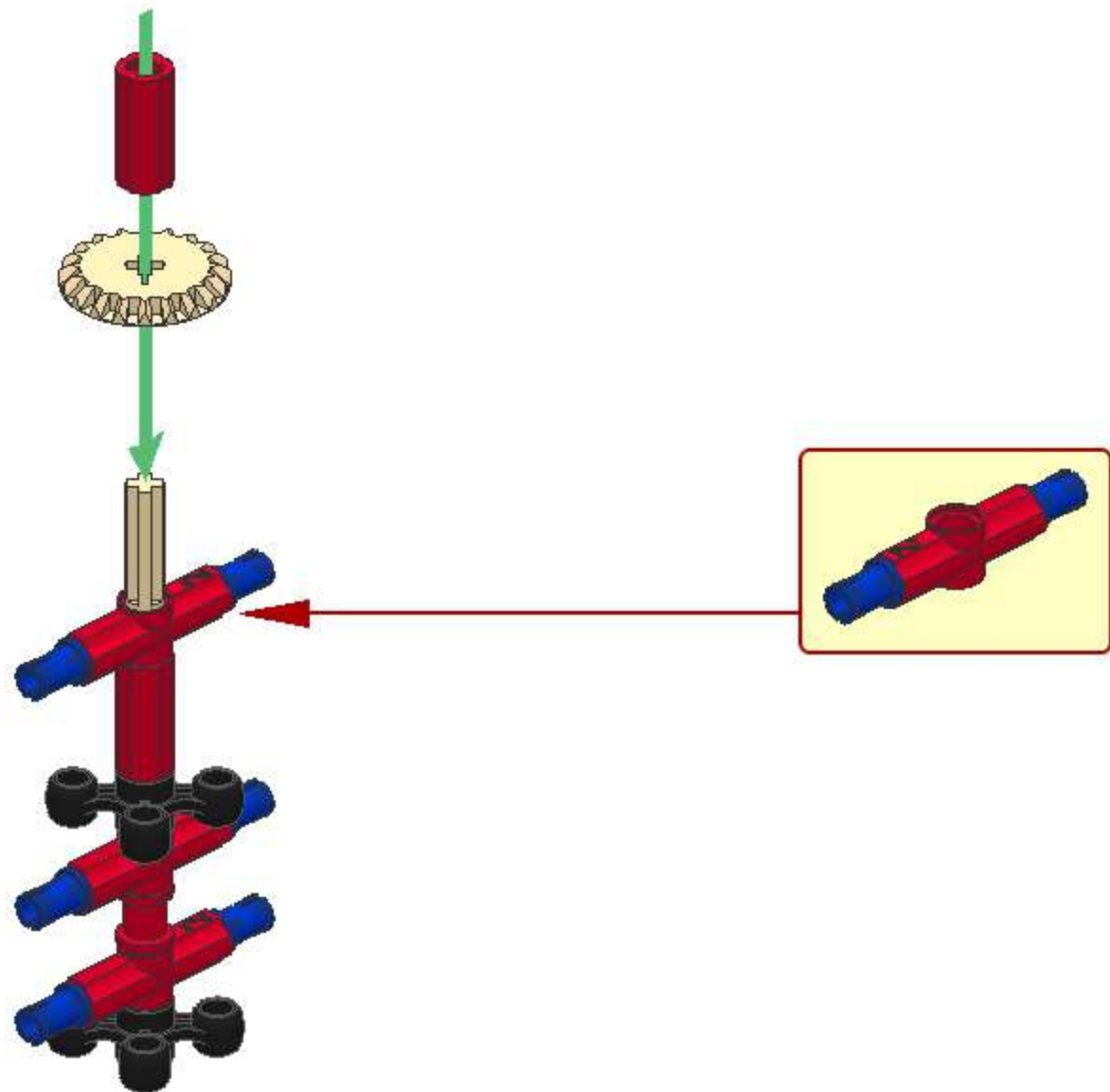
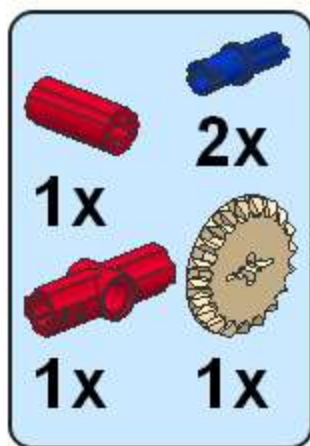
4



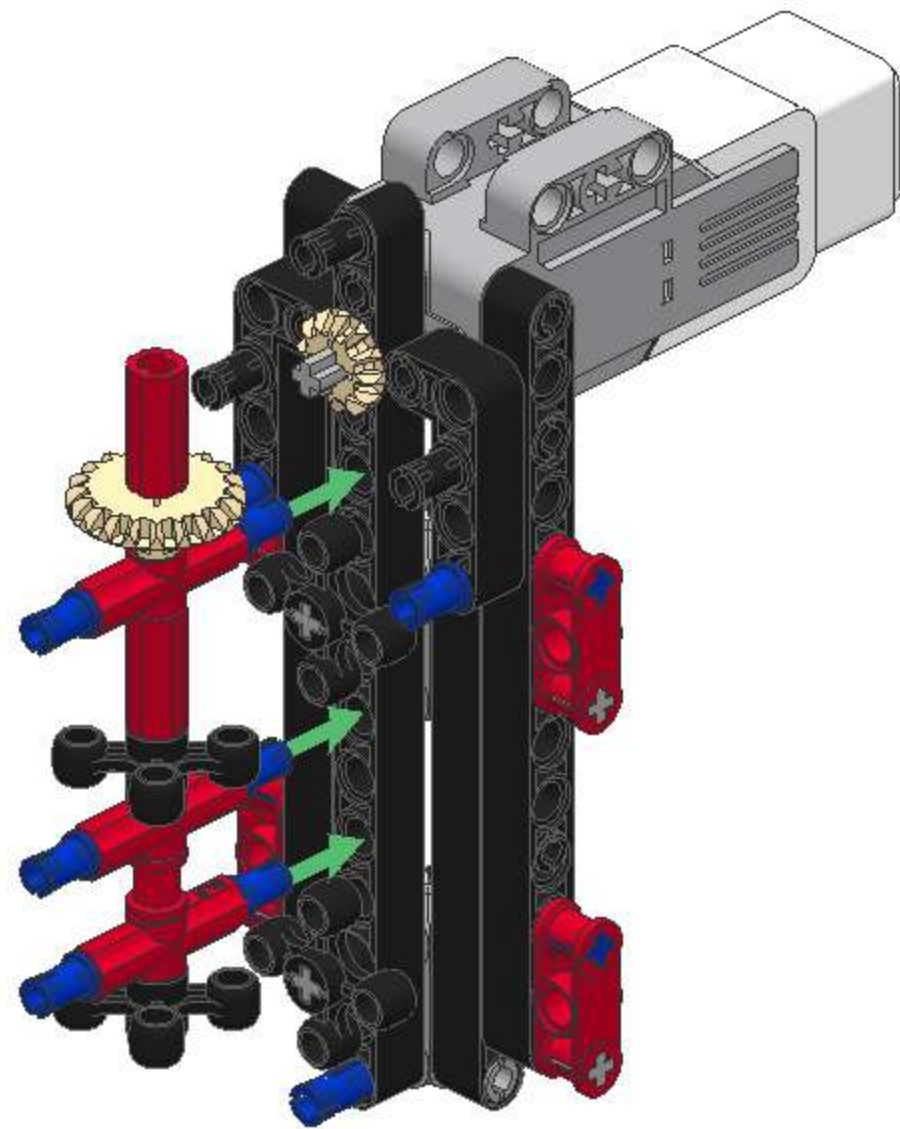
1x



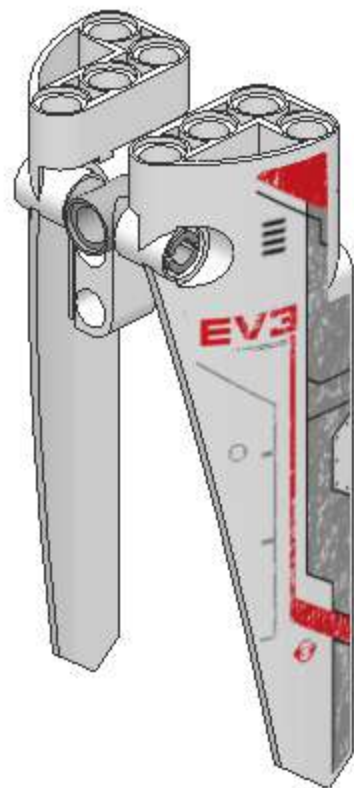
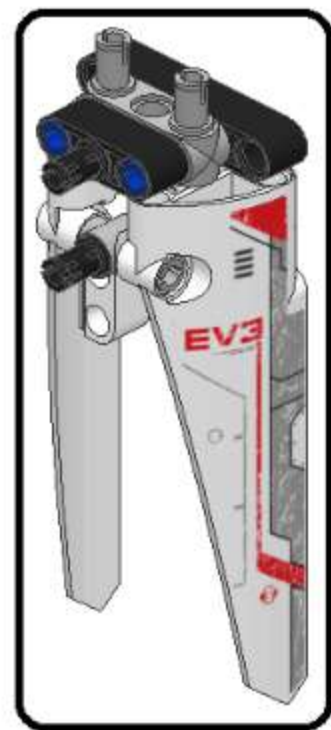
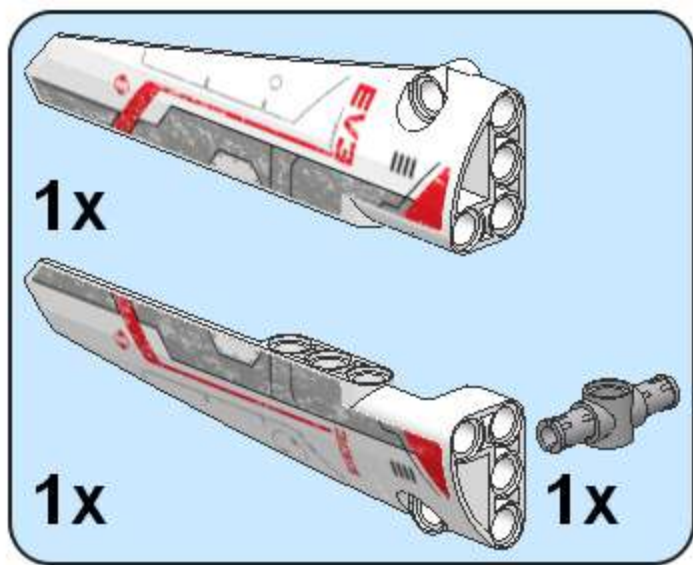
3



9



1



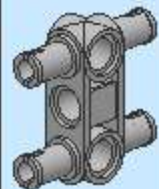
2



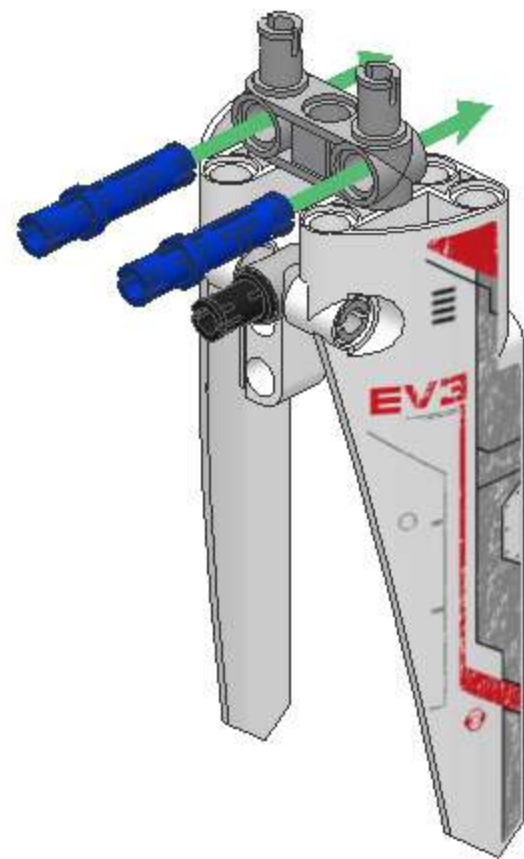
1x



2x

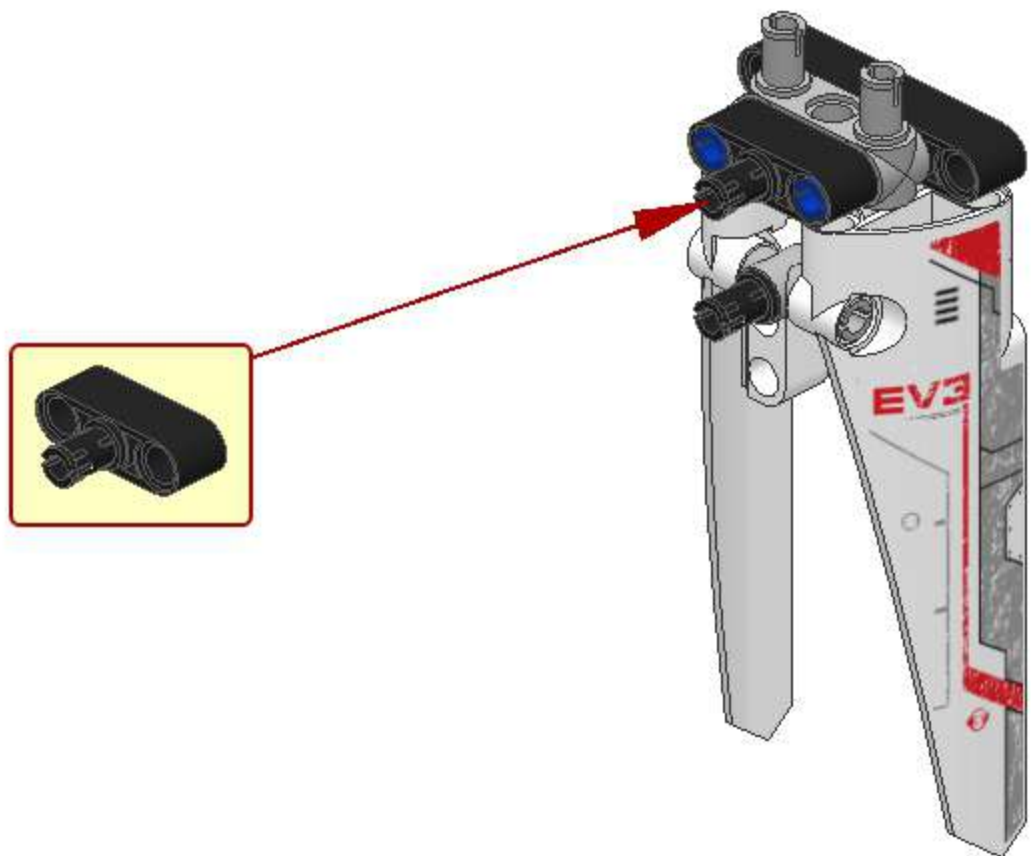


1x

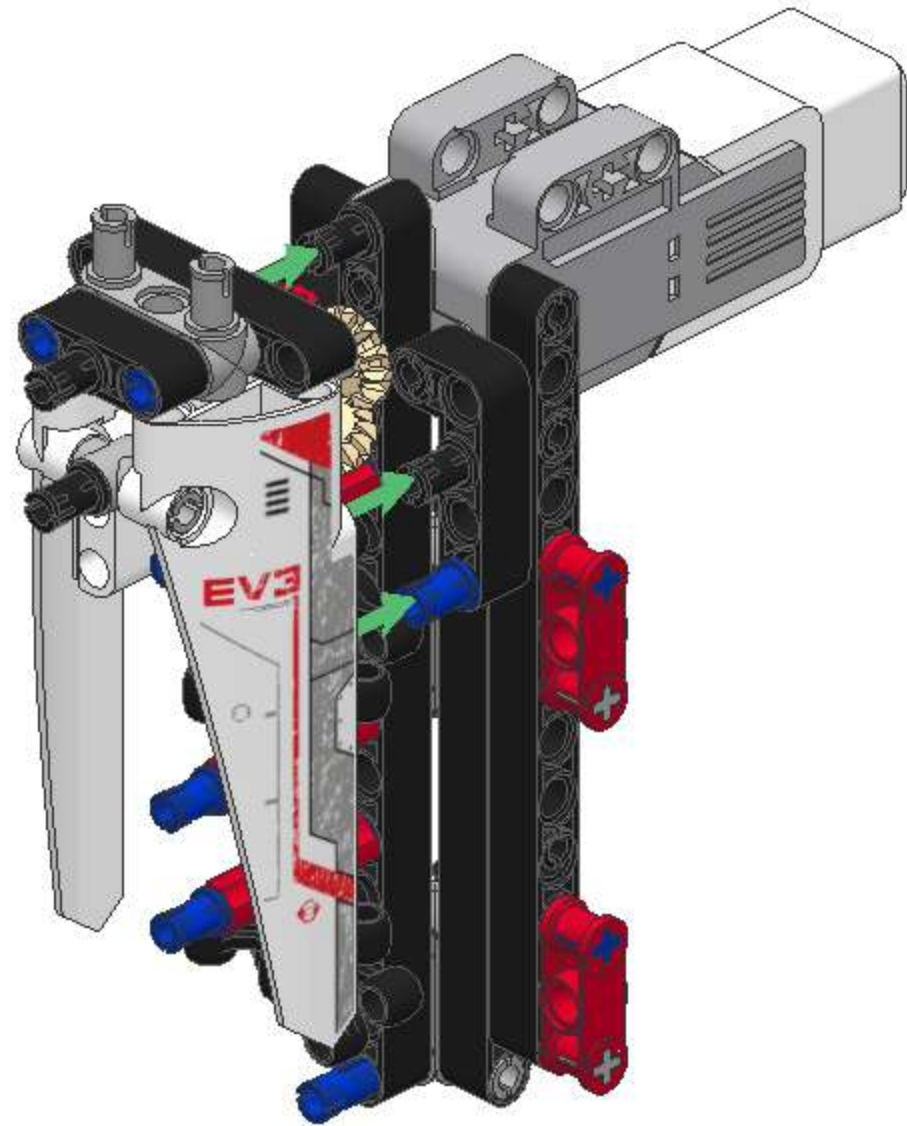


3

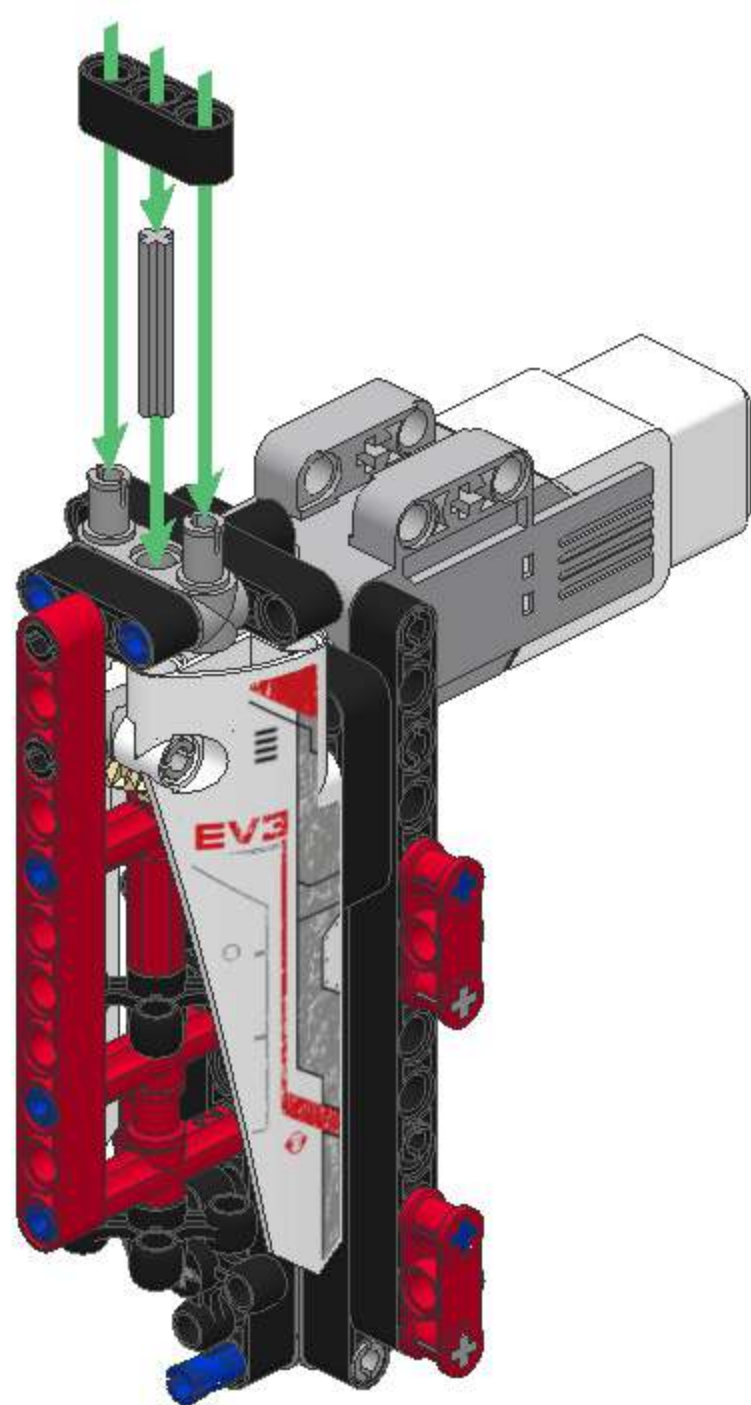
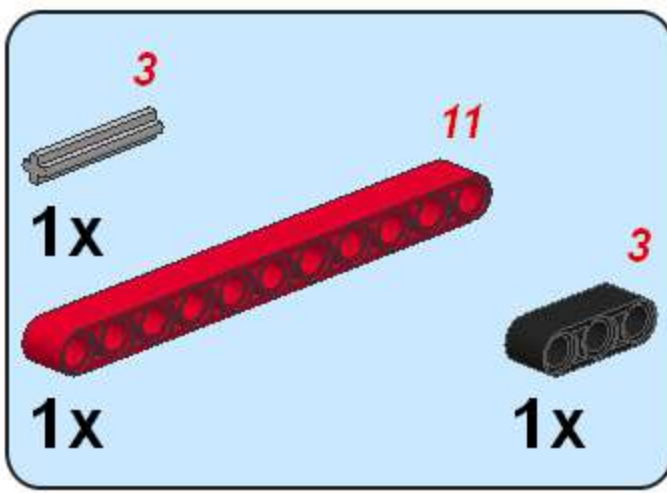
- 1x ³
- 1x ⁵
- 1x



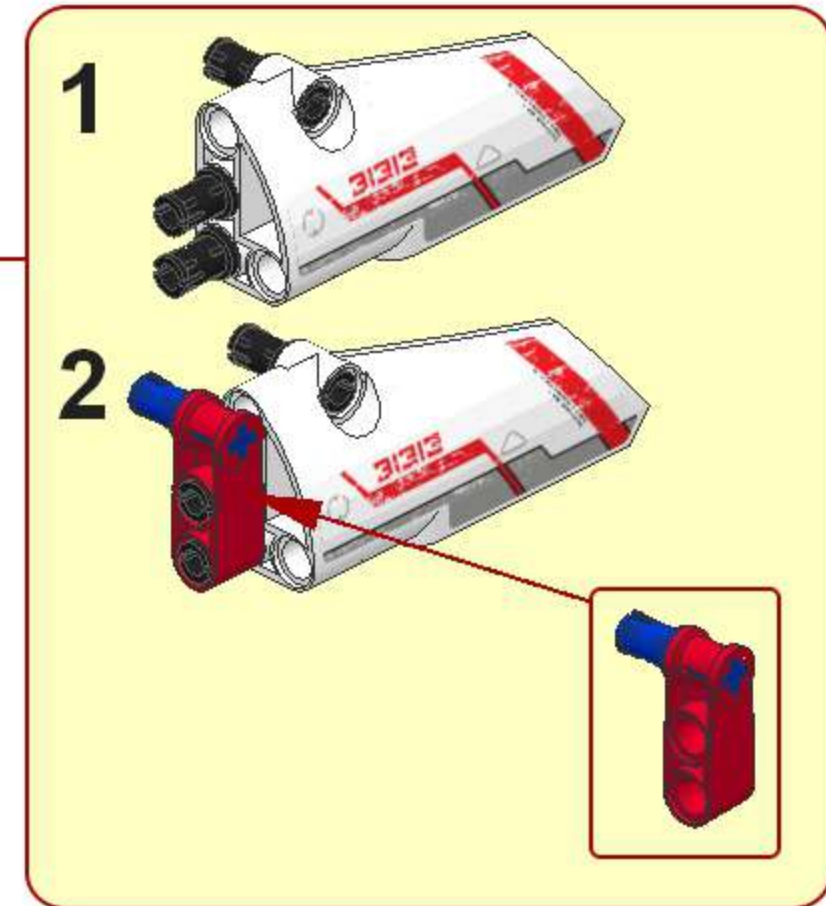
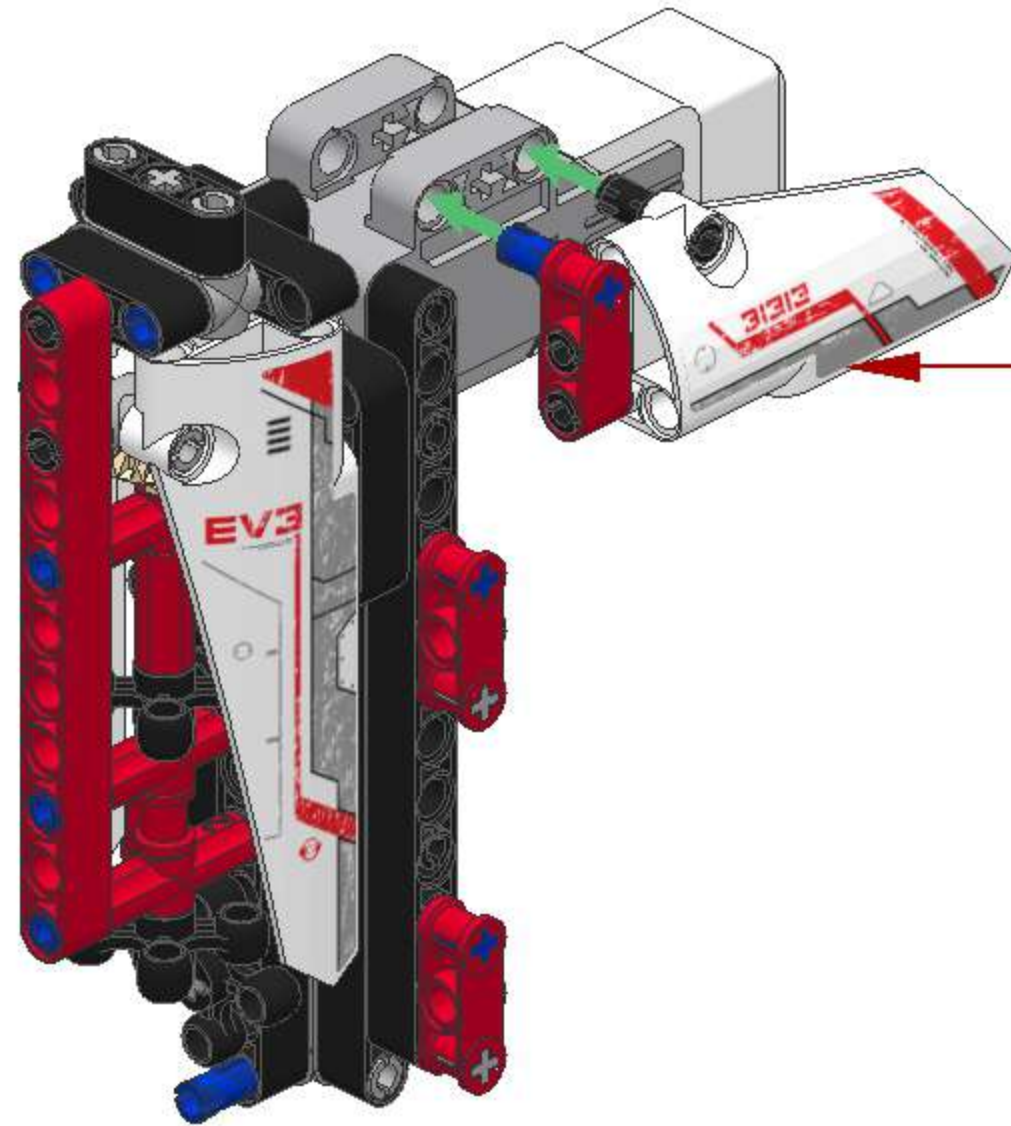
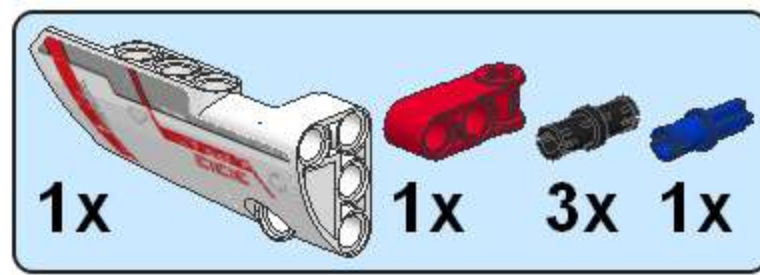
10



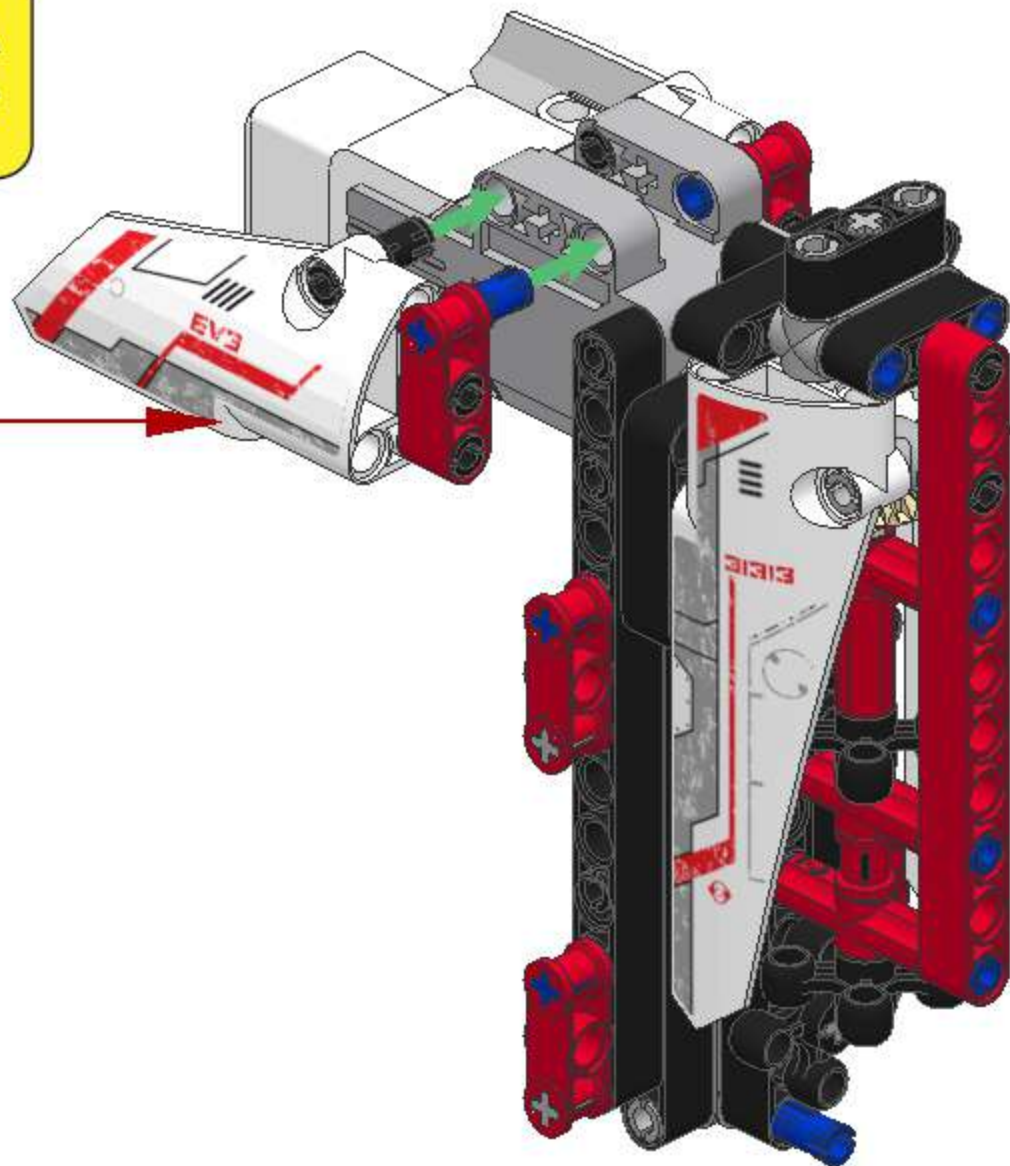
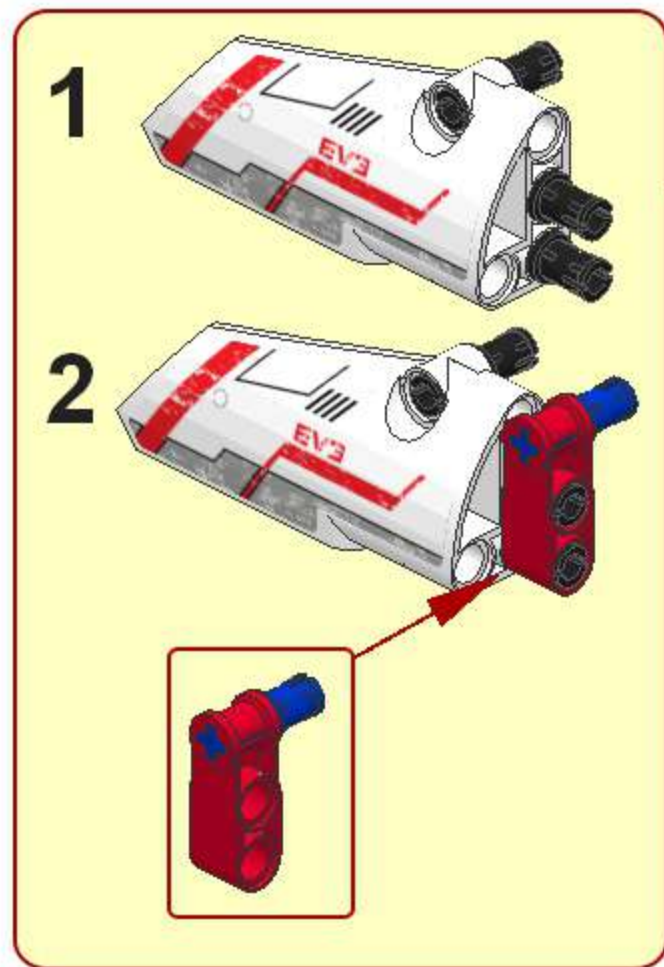
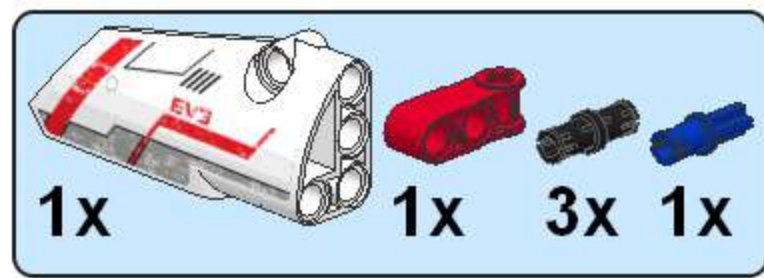
11



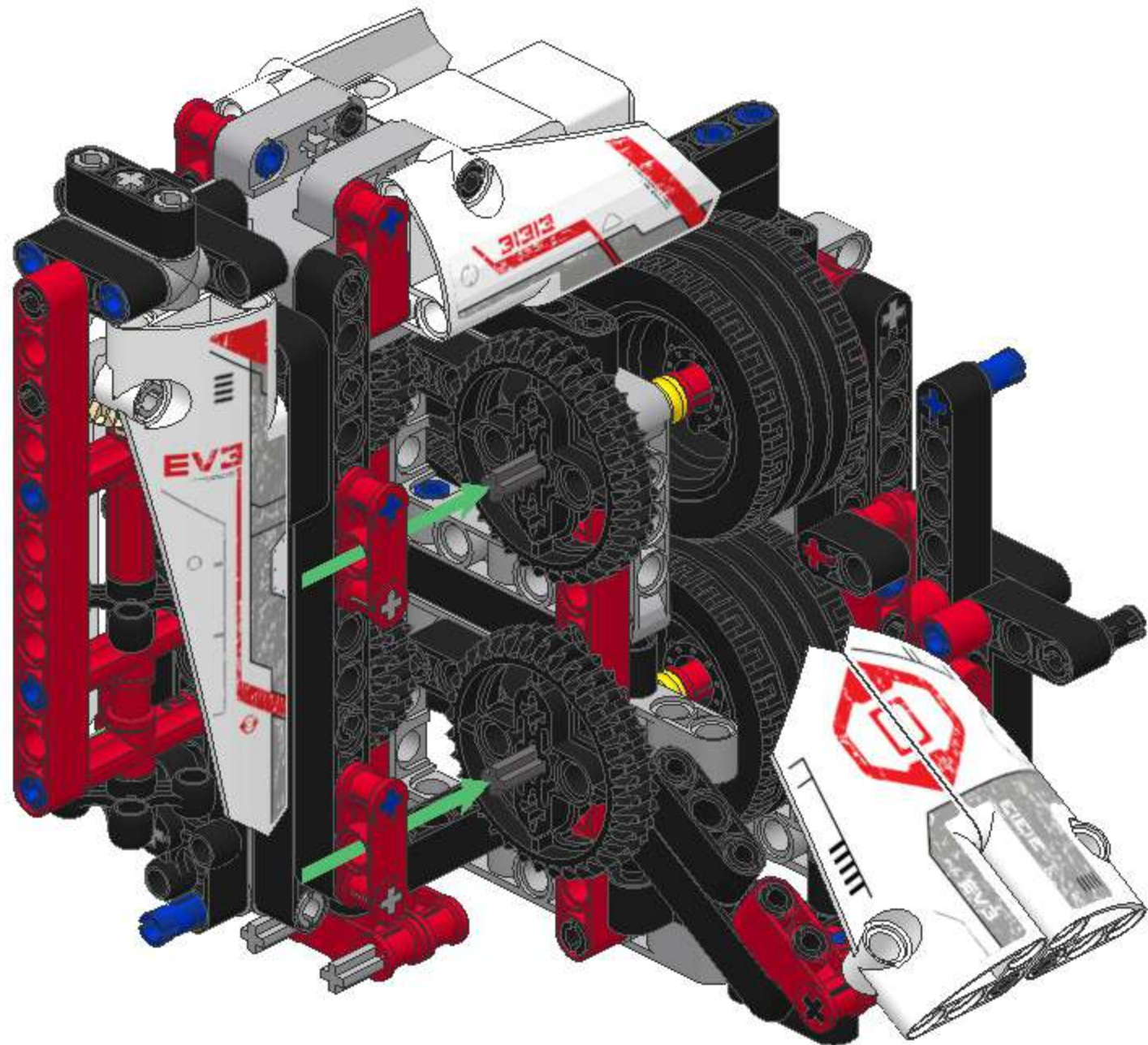
12



13

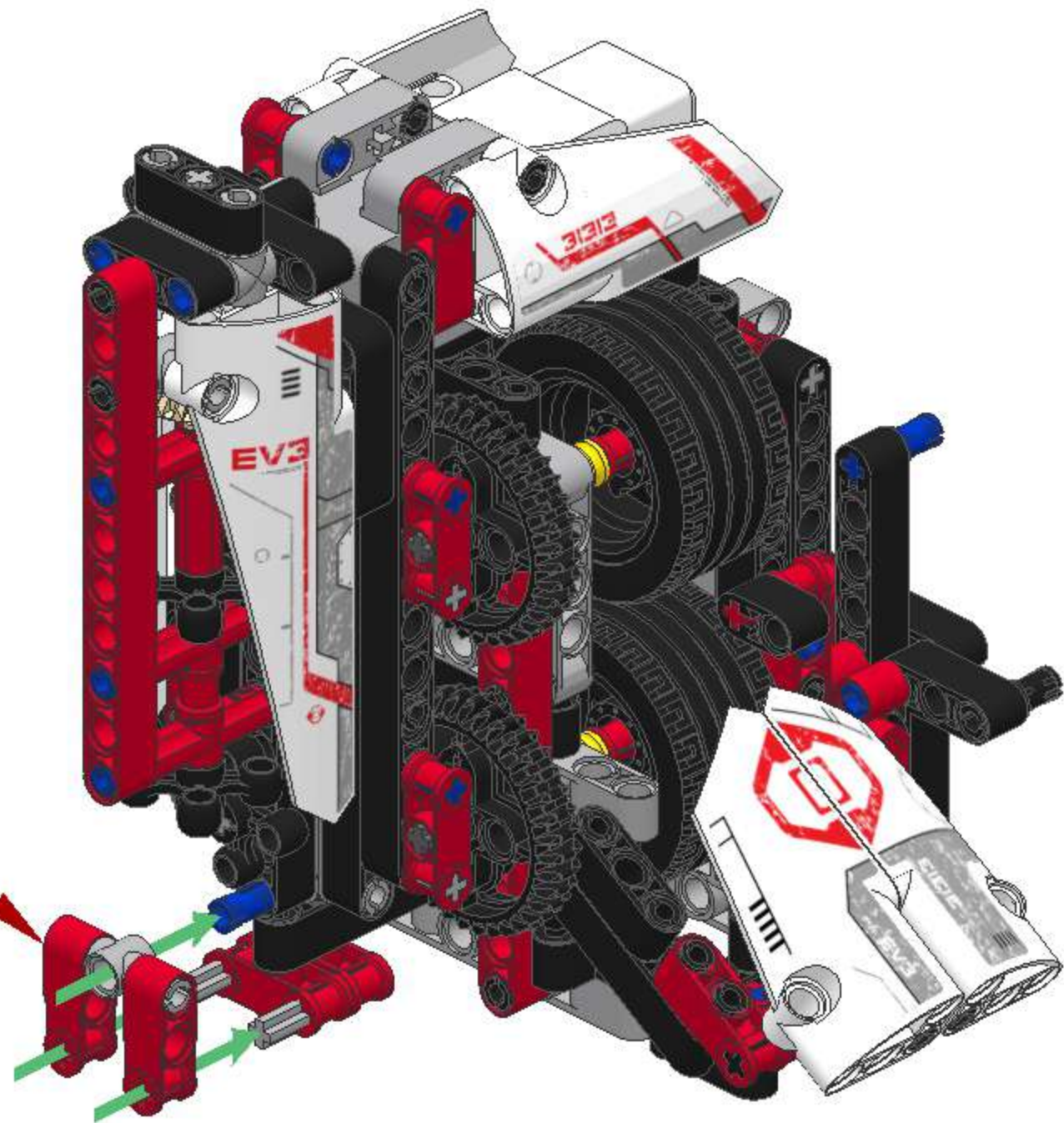


20

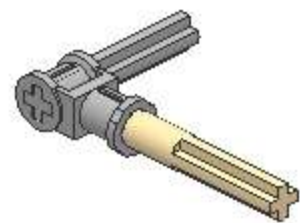
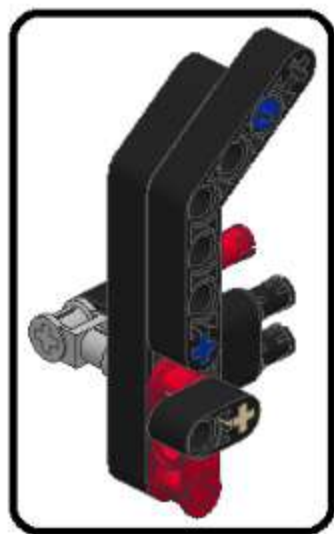
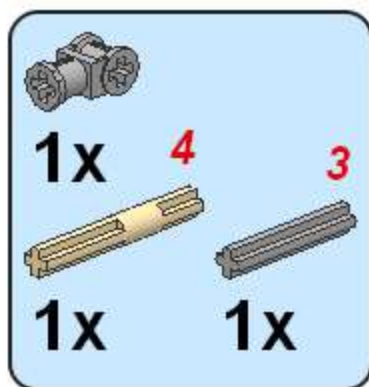


21

-  1x
-  2x



1



2

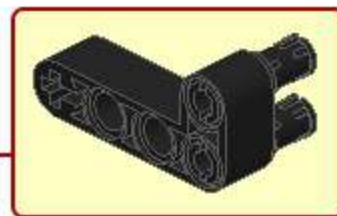
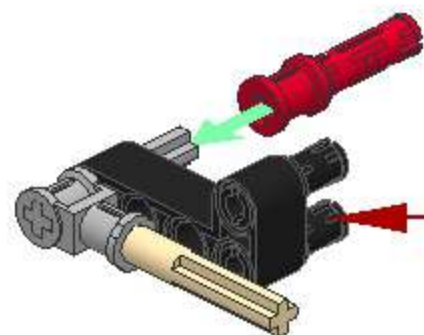
2x



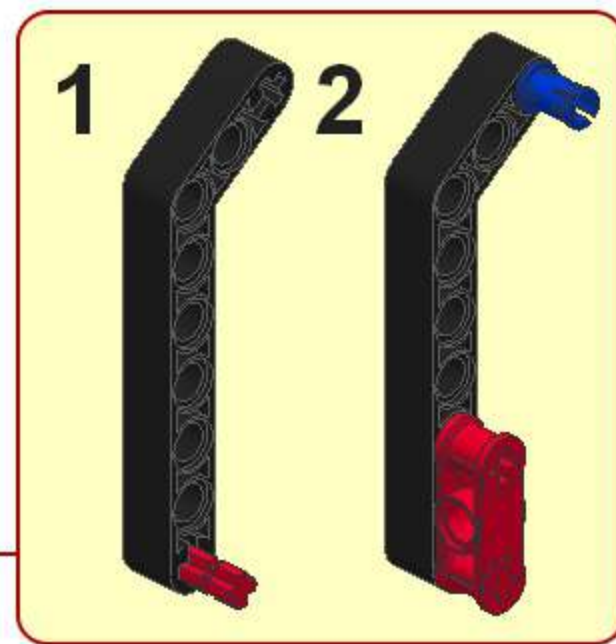
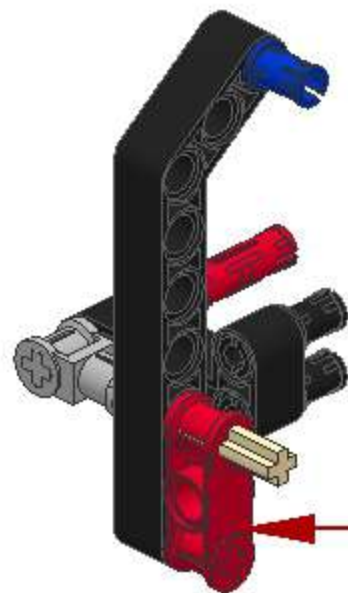
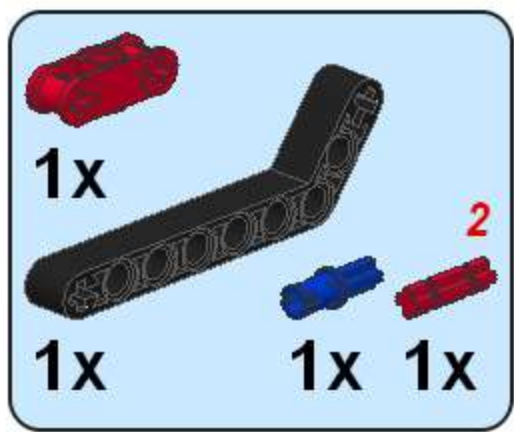
1x



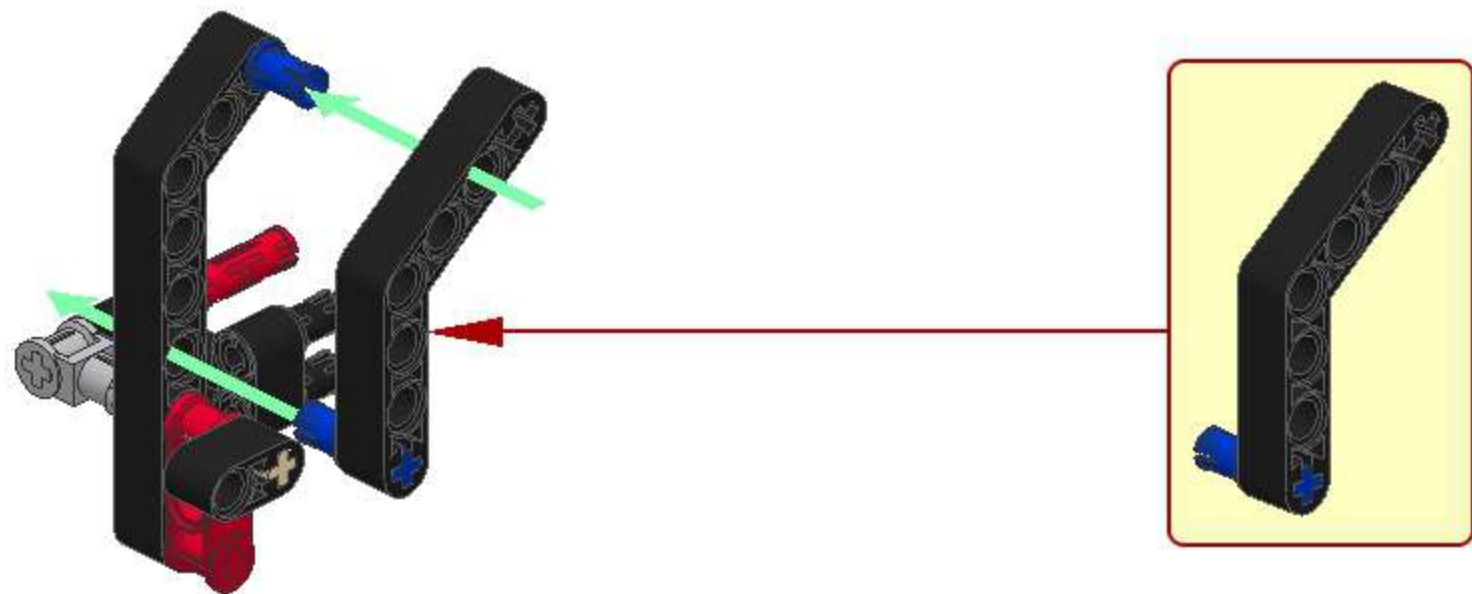
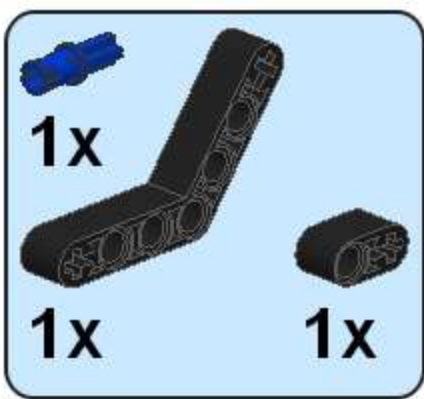
1x

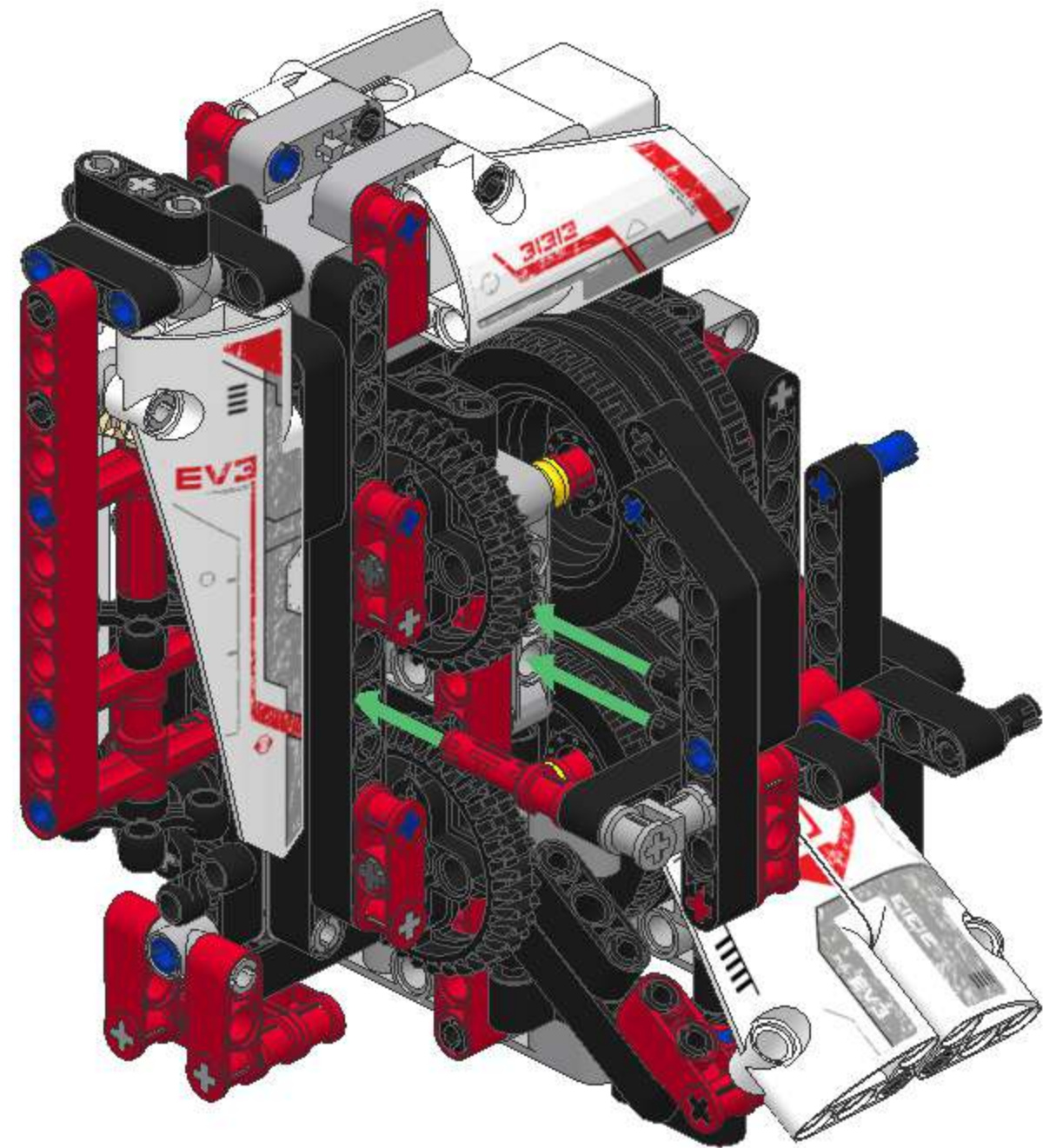


3

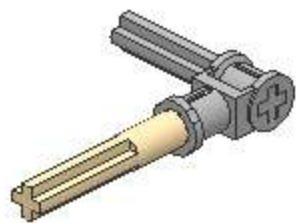
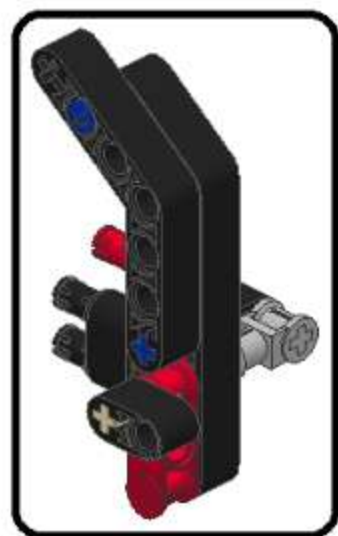
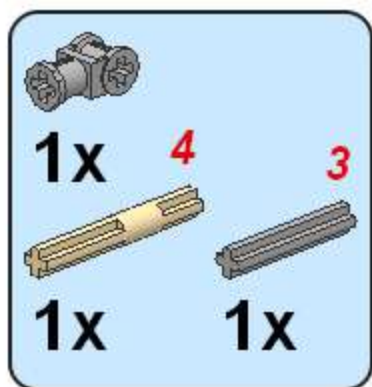


4





1



2

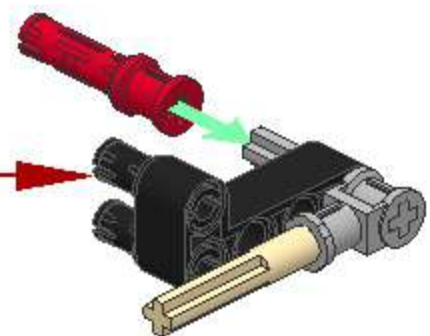
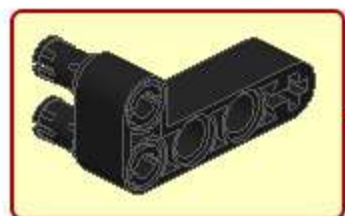
2x



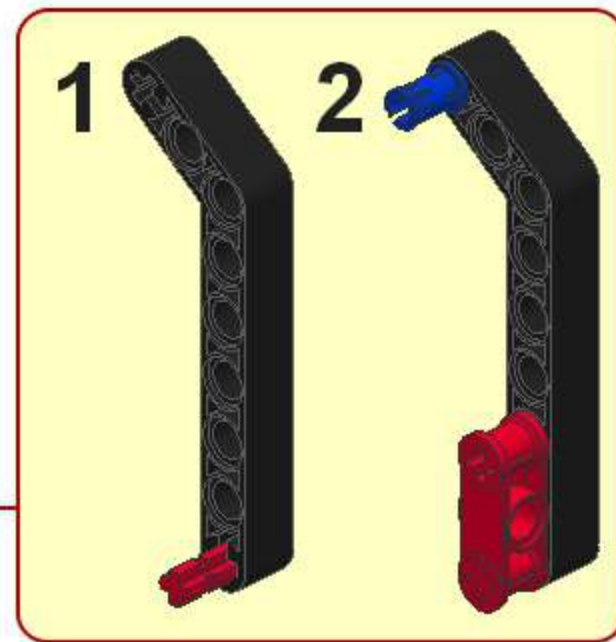
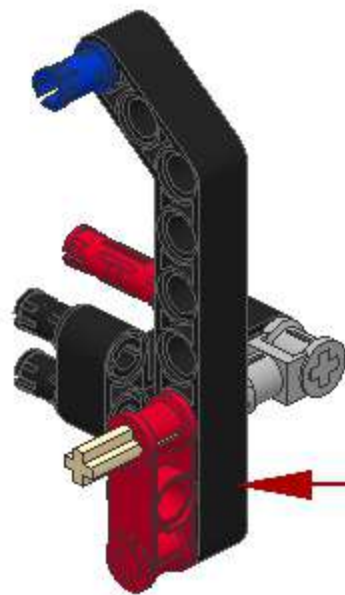
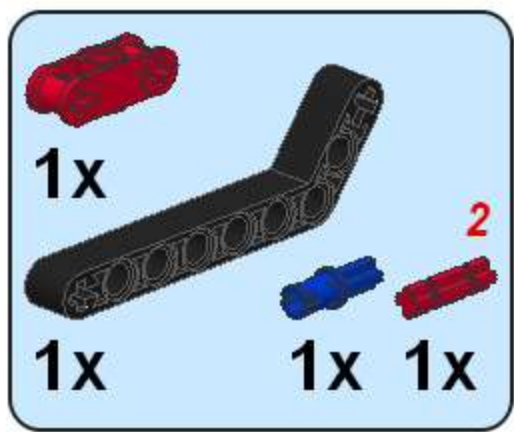
1x



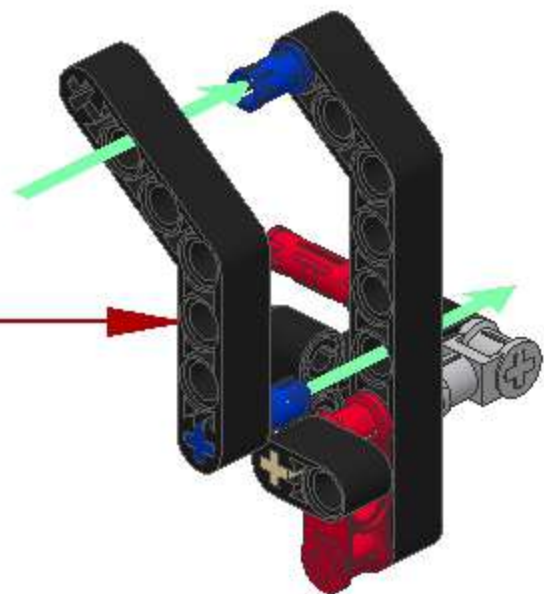
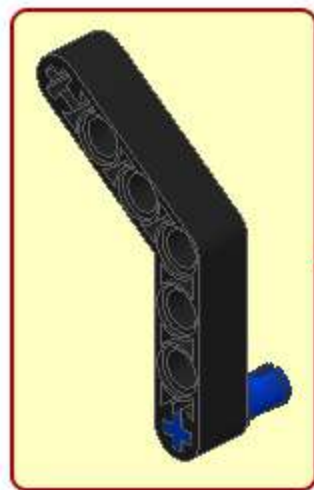
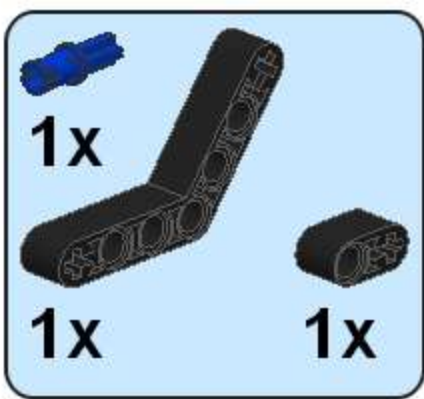
1x



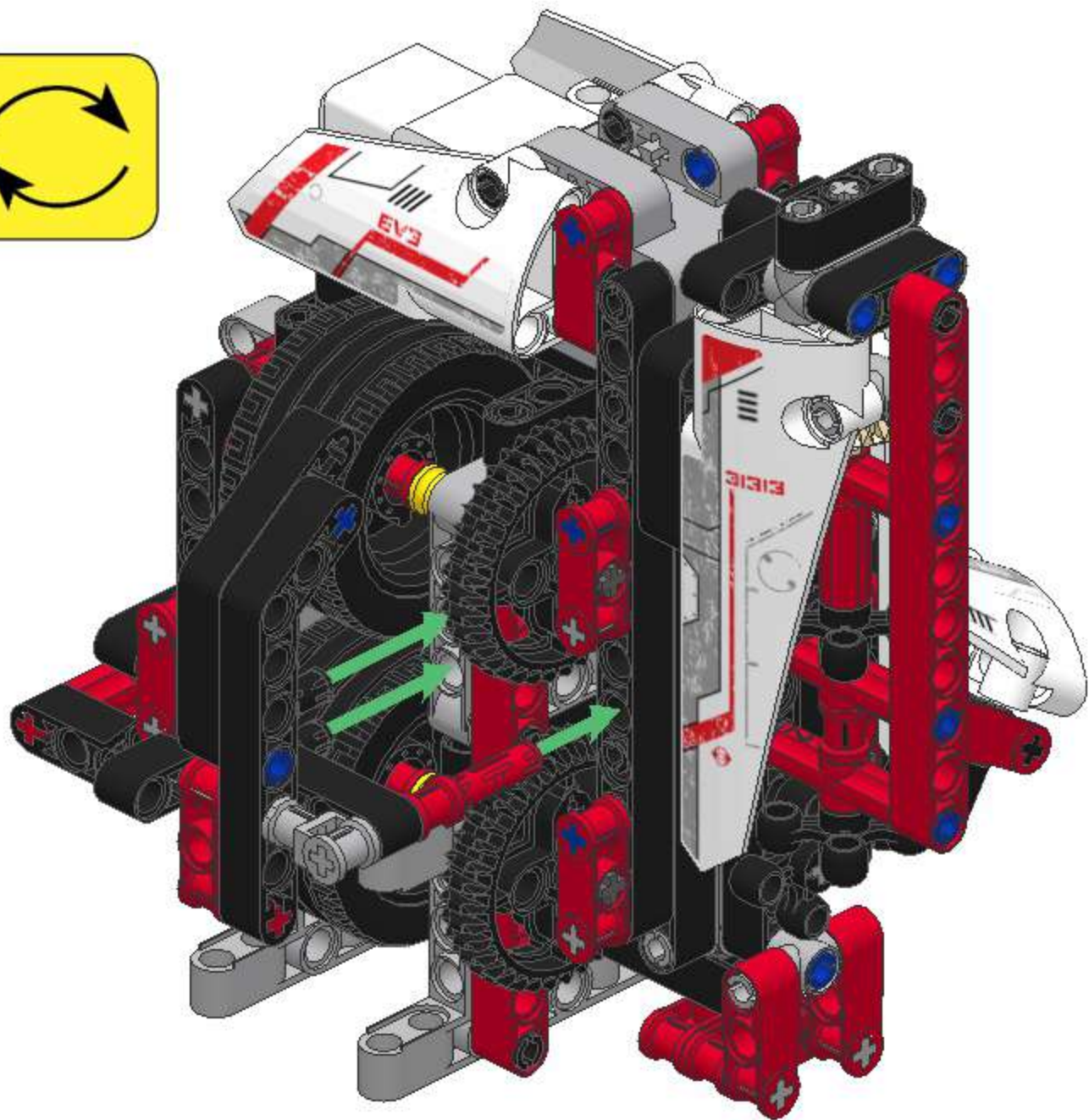
3



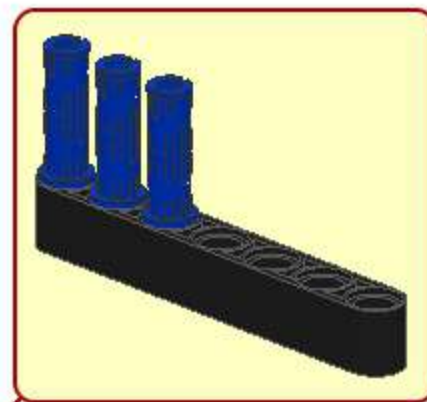
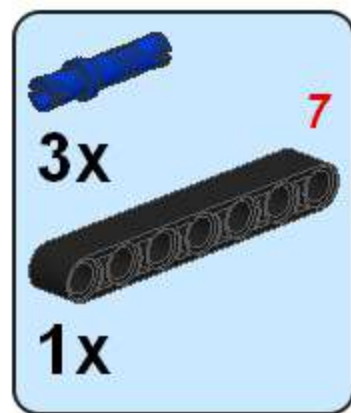
4



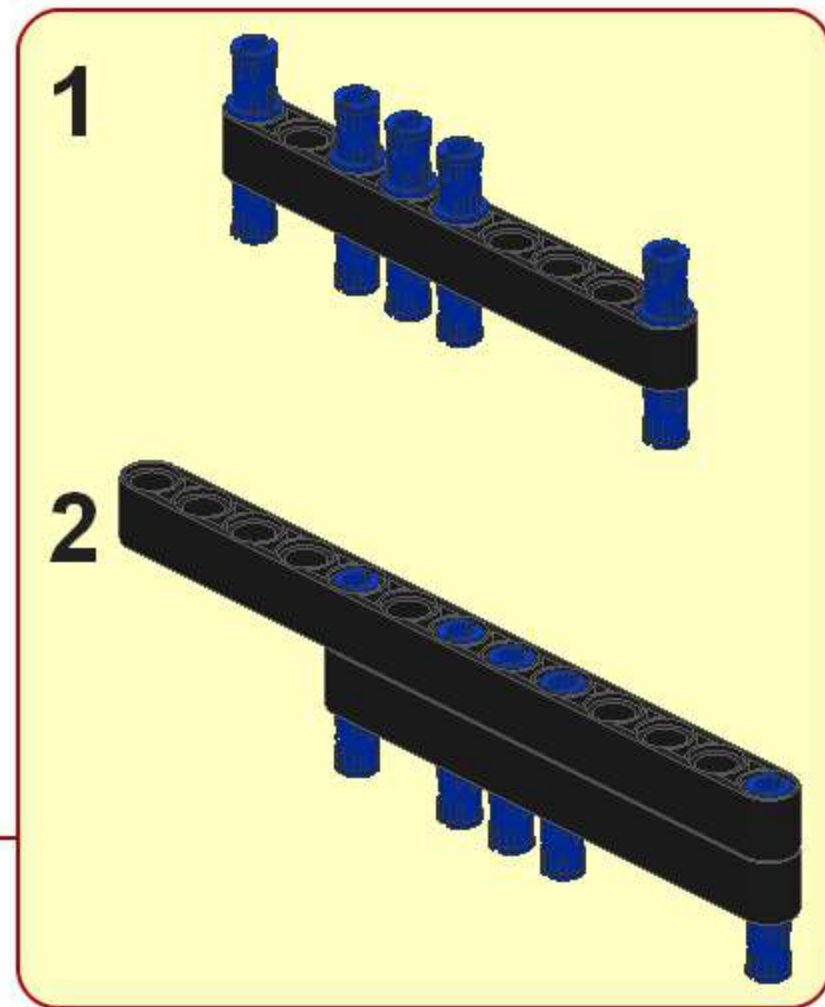
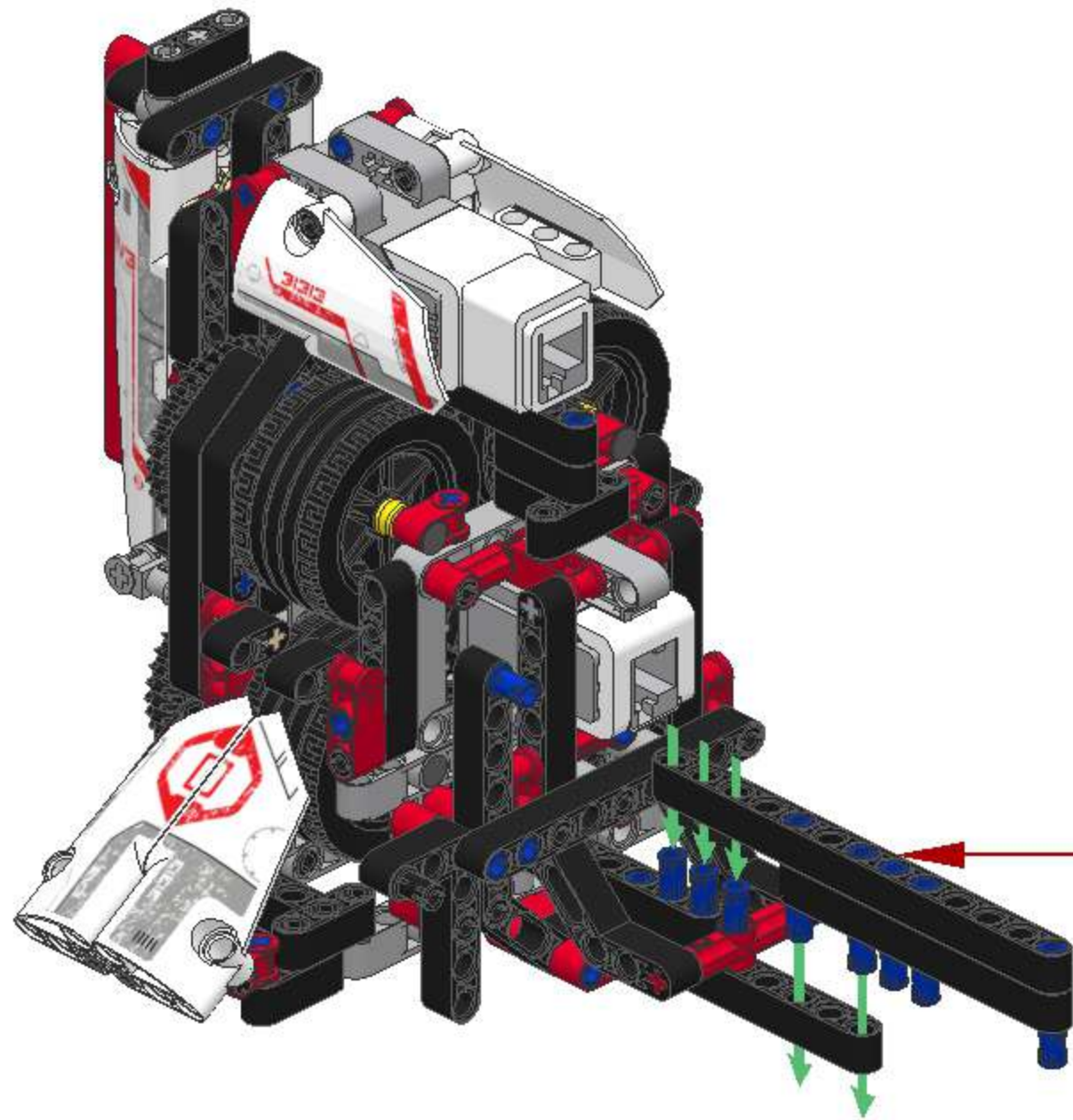
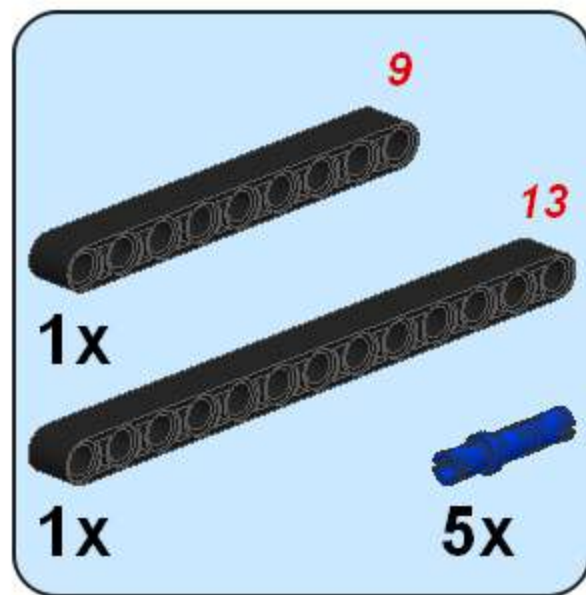
23



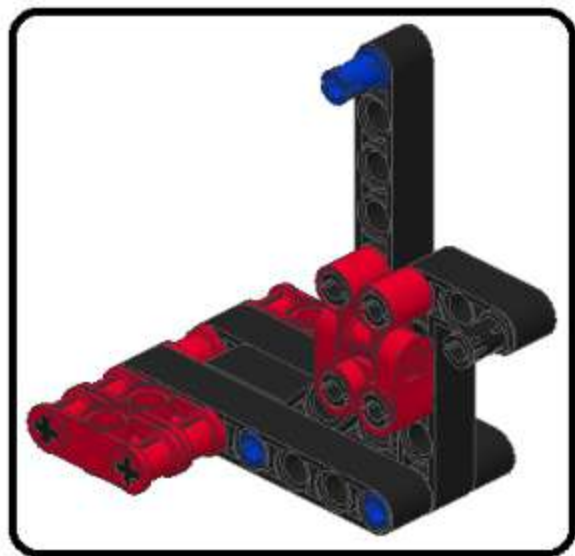
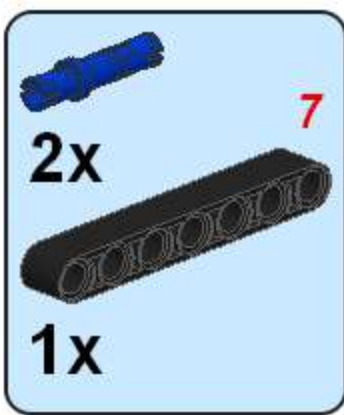
24




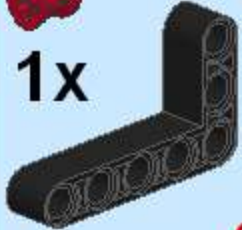

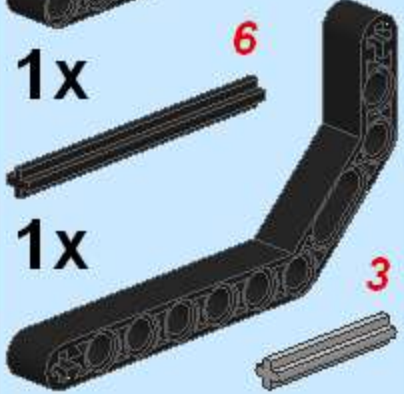


25

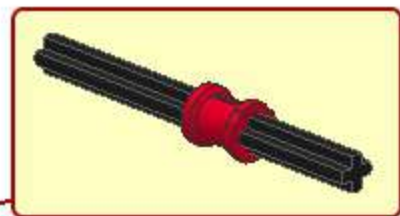
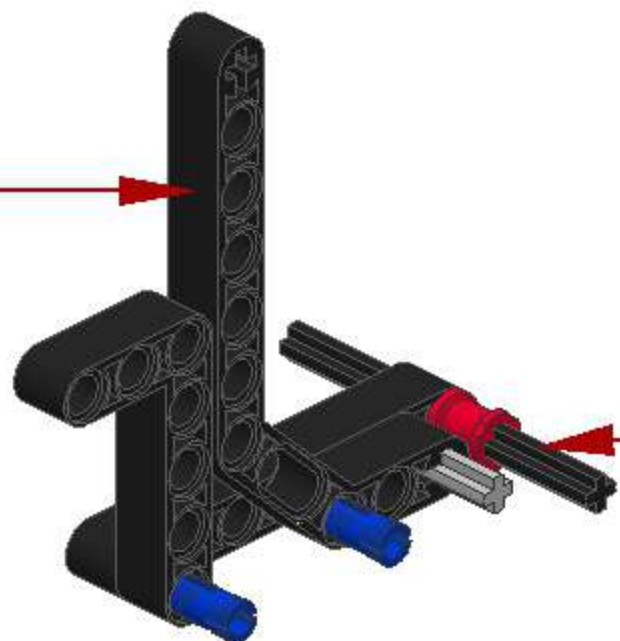
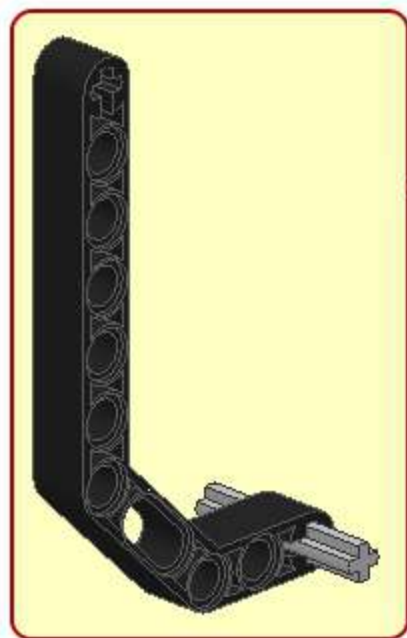


1

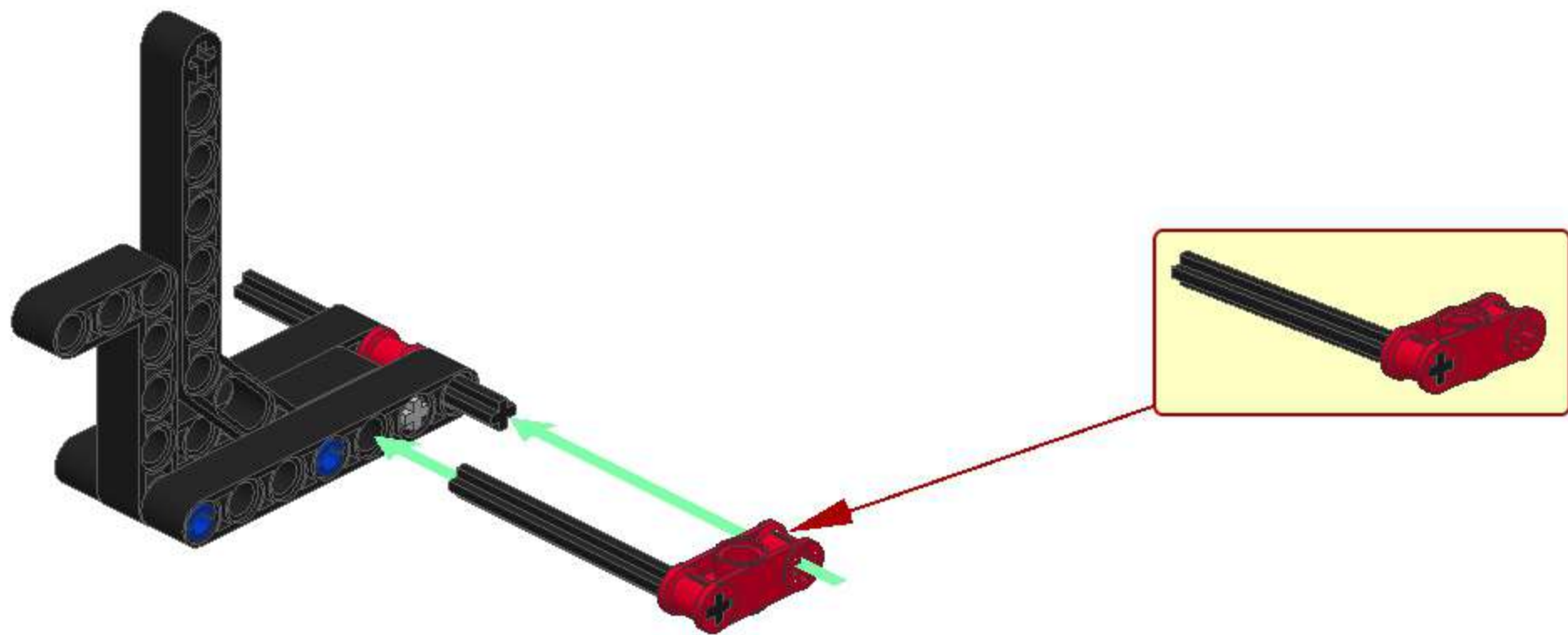
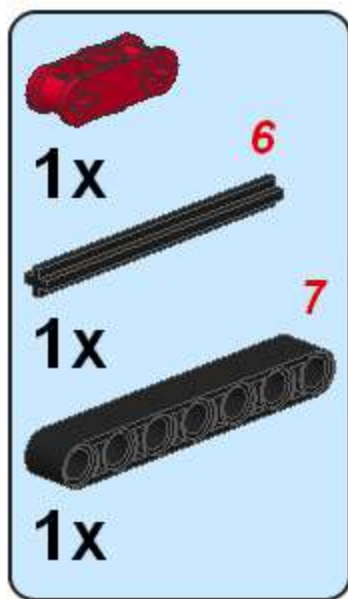


2

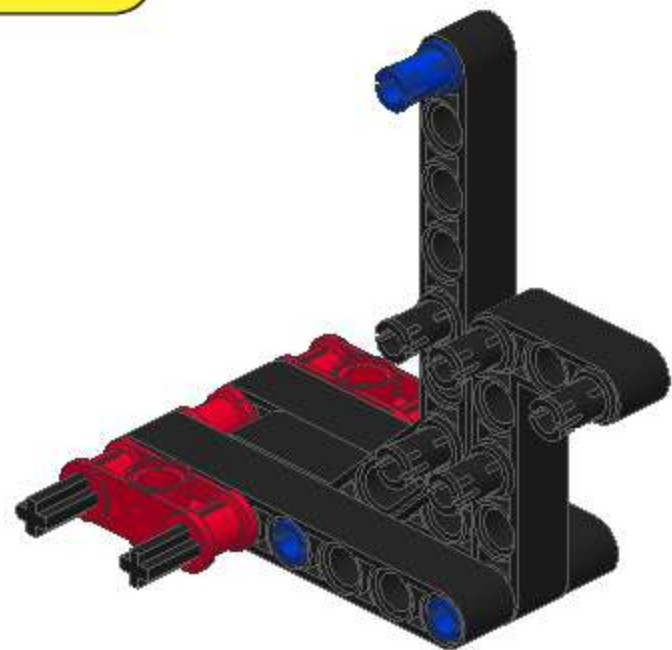
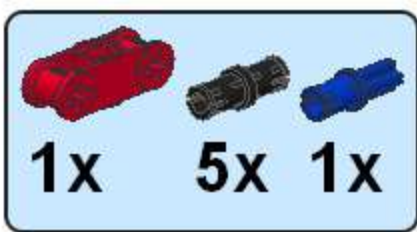
- 1x 
- 1x 
- 1x 
- 1x 
- 1x 
- 1x 



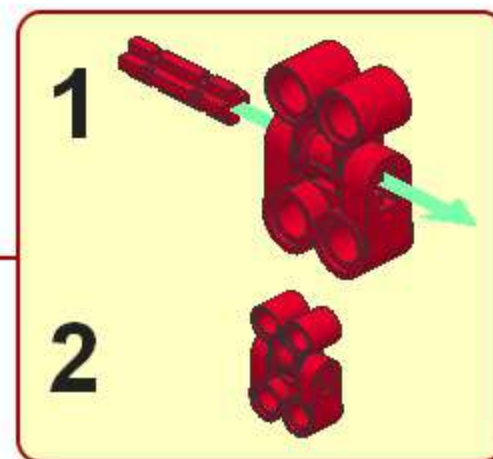
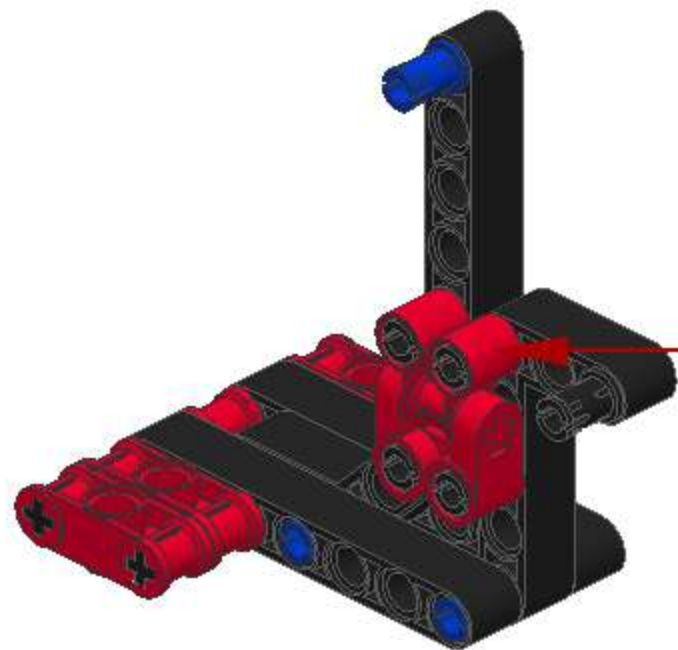
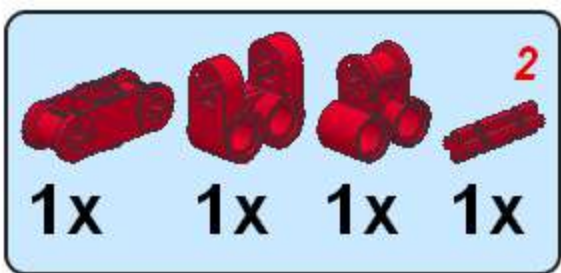
3



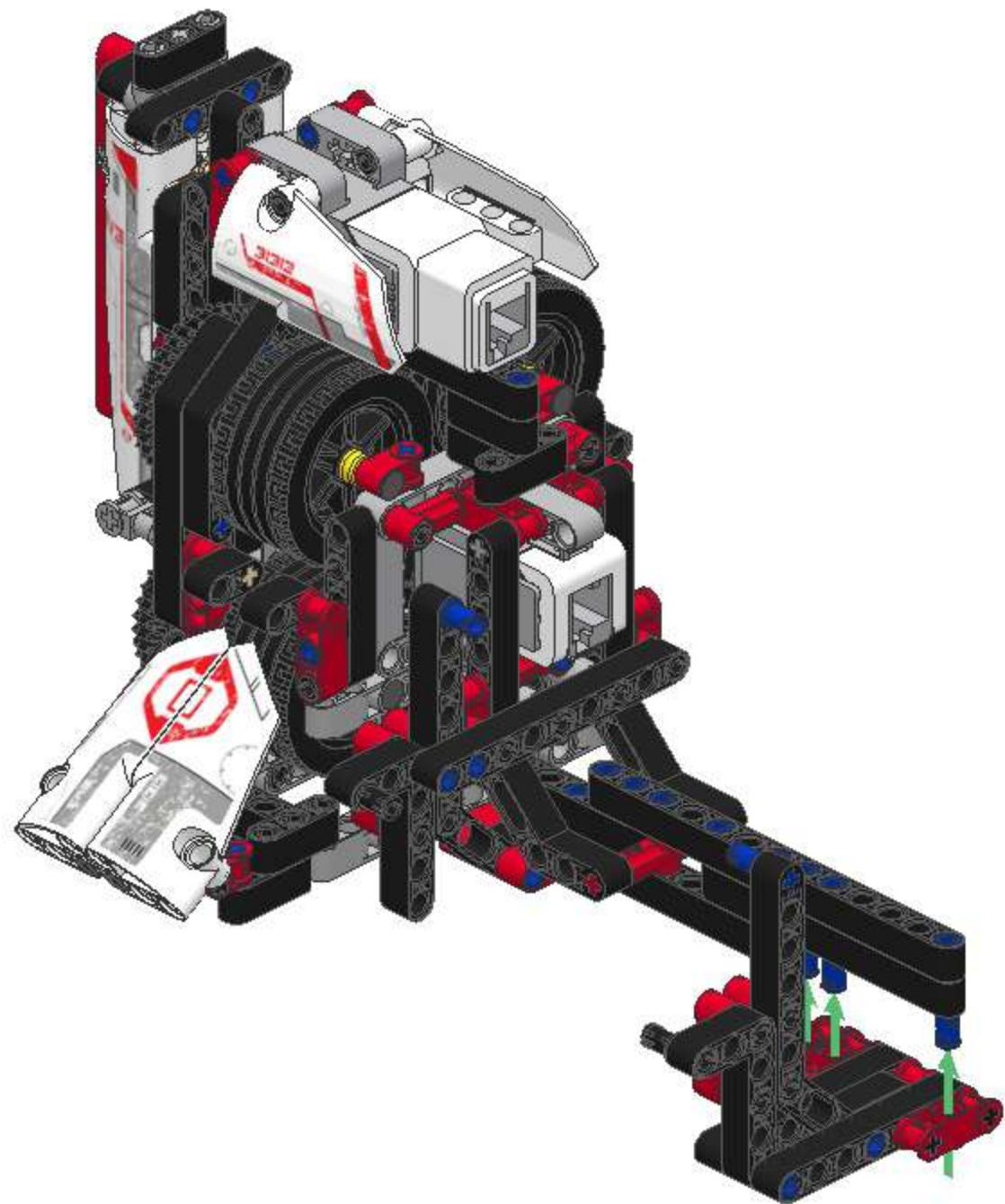
4



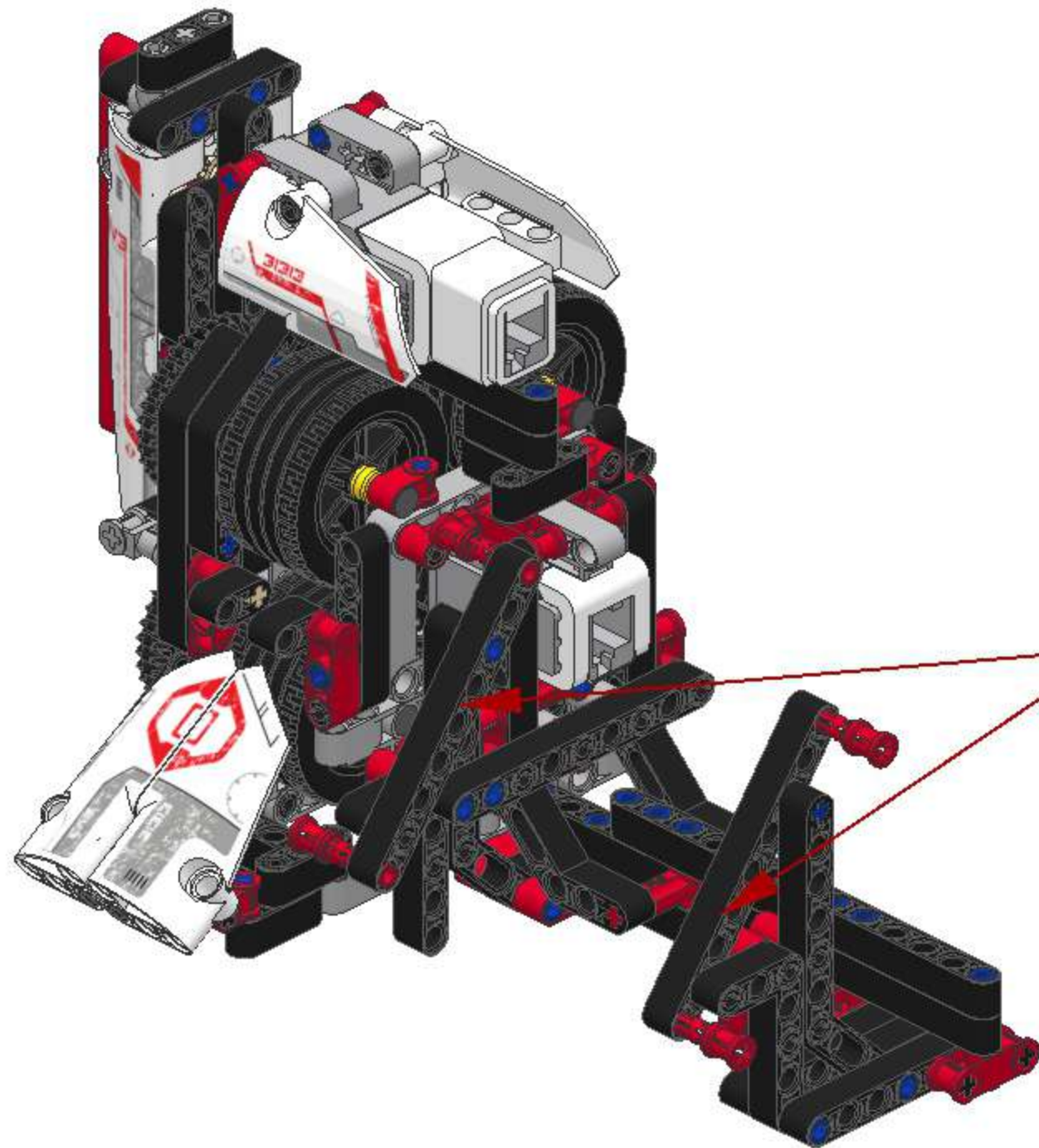
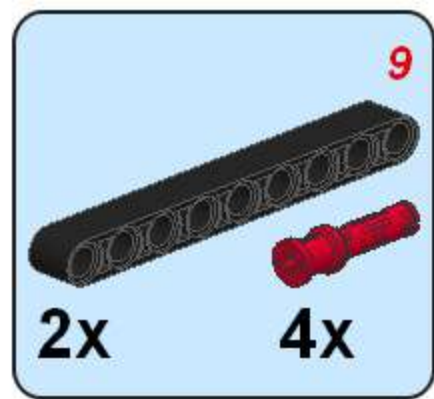
5



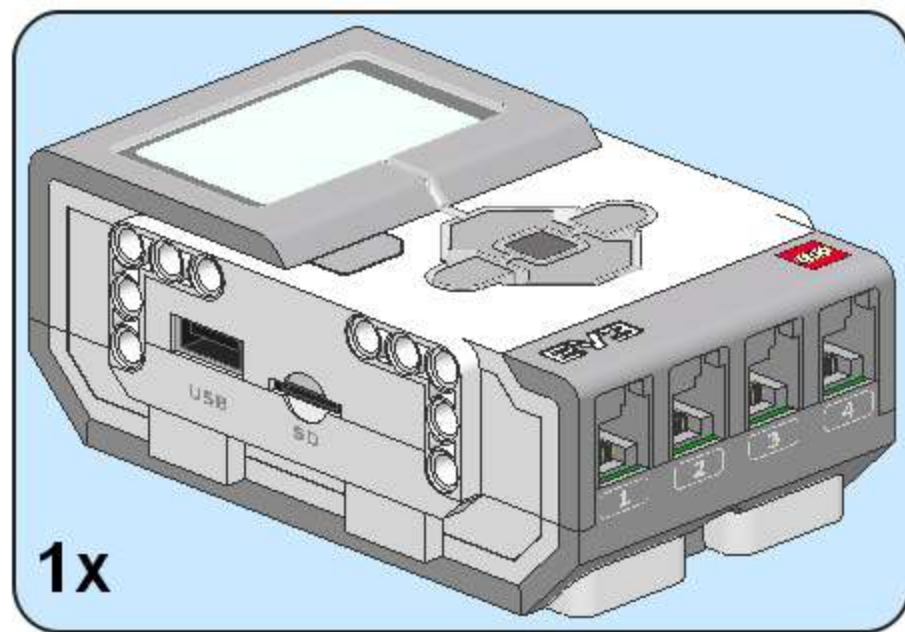
26



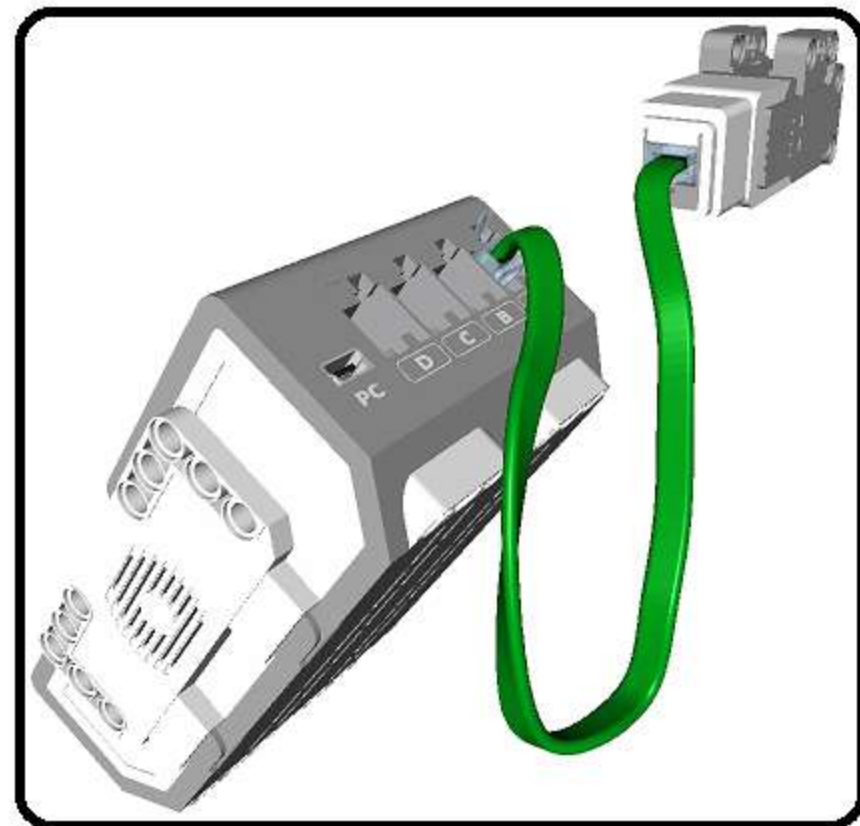
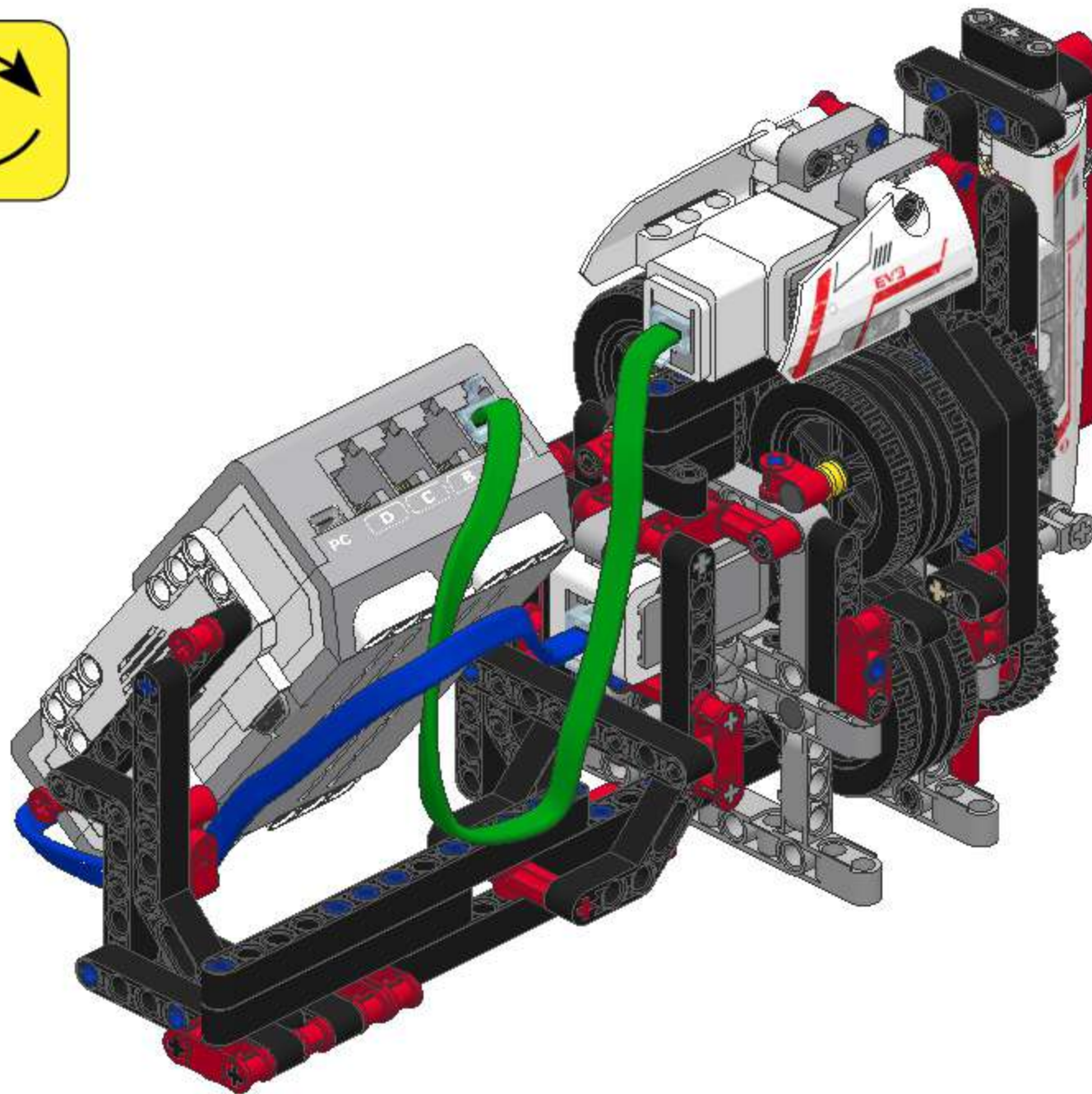
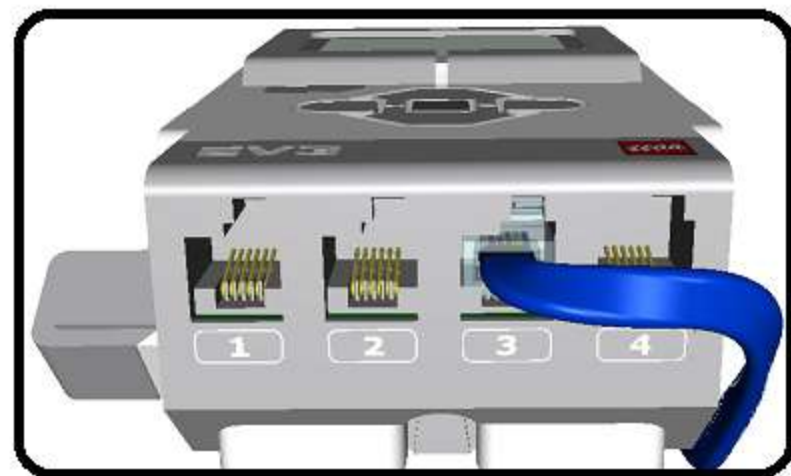
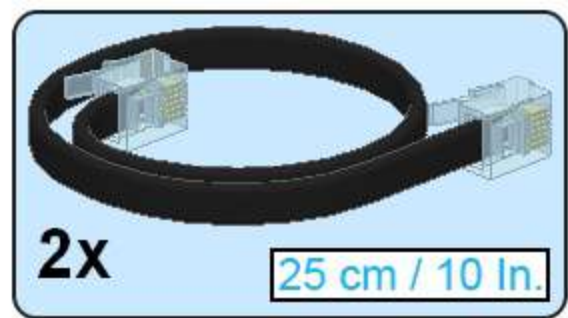
27



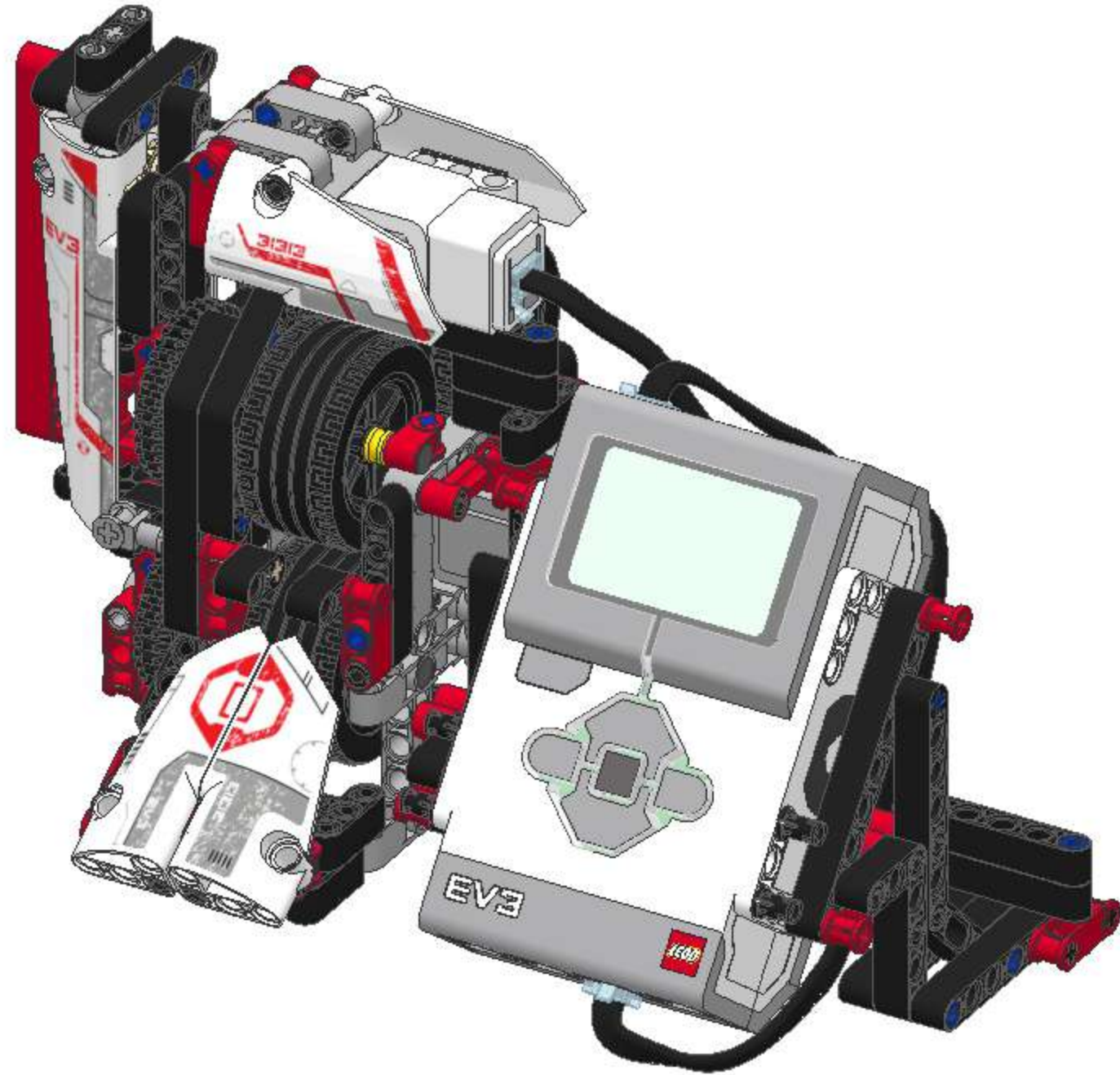
28



29



30



31

