

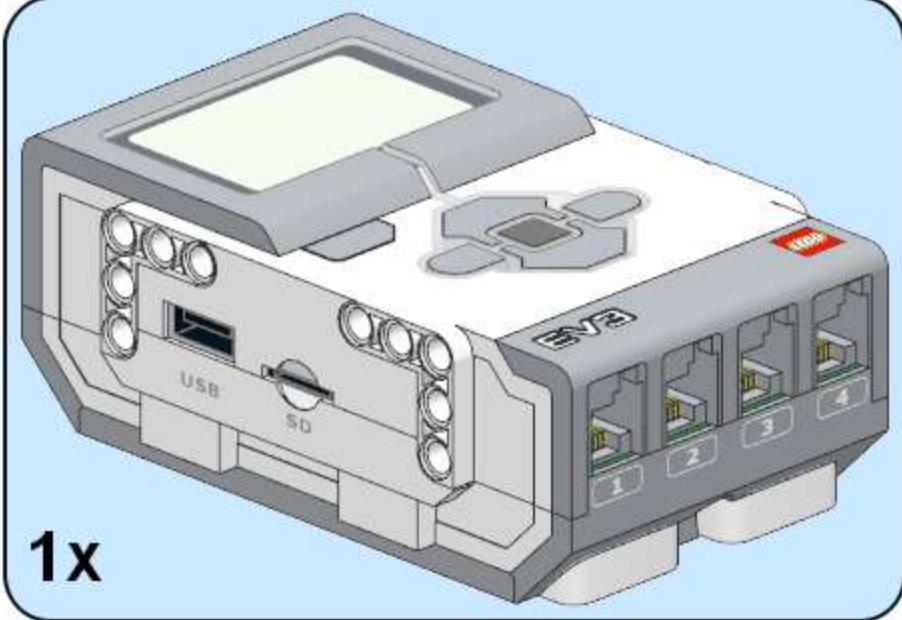
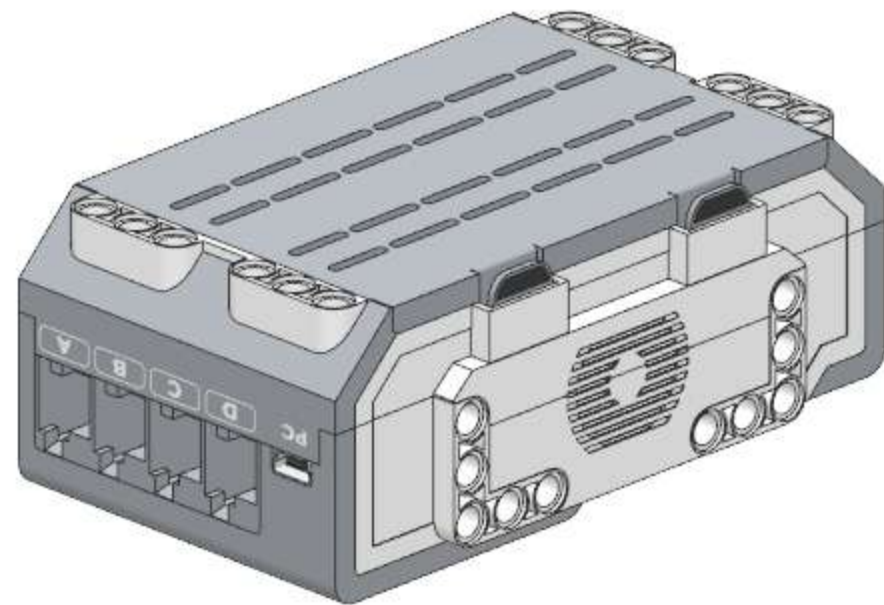
LEGO mindstorms
EV3

ROBODOOZ3R

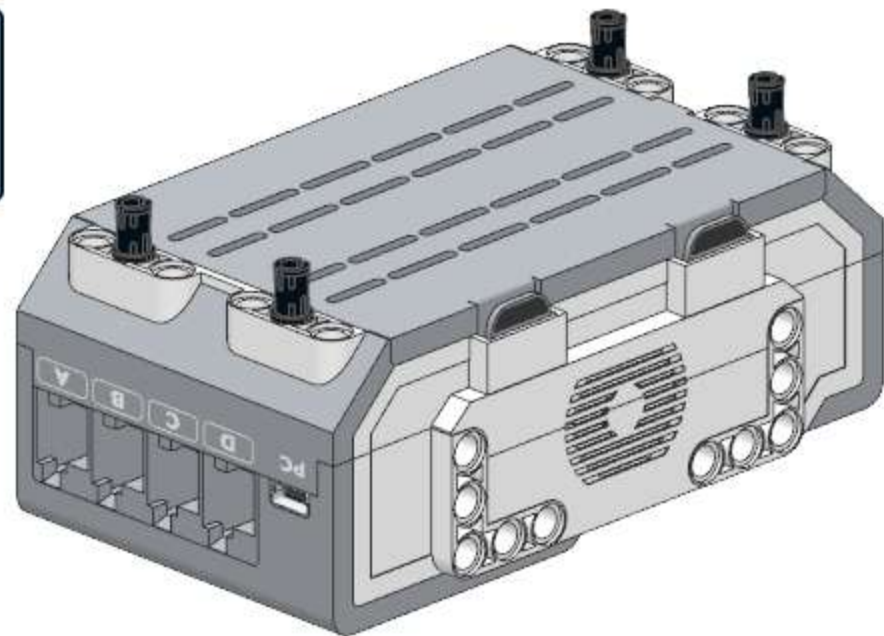


Model Design
and Programming Instructions
by: **Mark Crosbie**

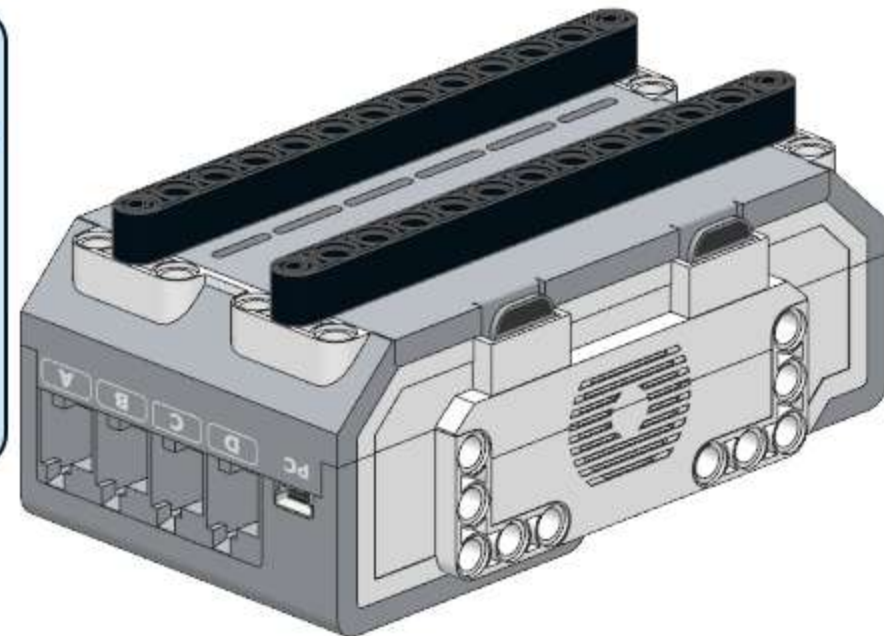
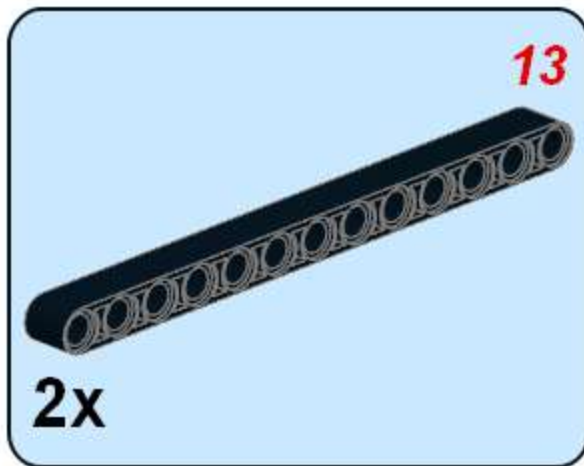
Building Instructions
by: **Mark Crosbie &
Philippe "Philo" Hurbain**

1**1x****1**

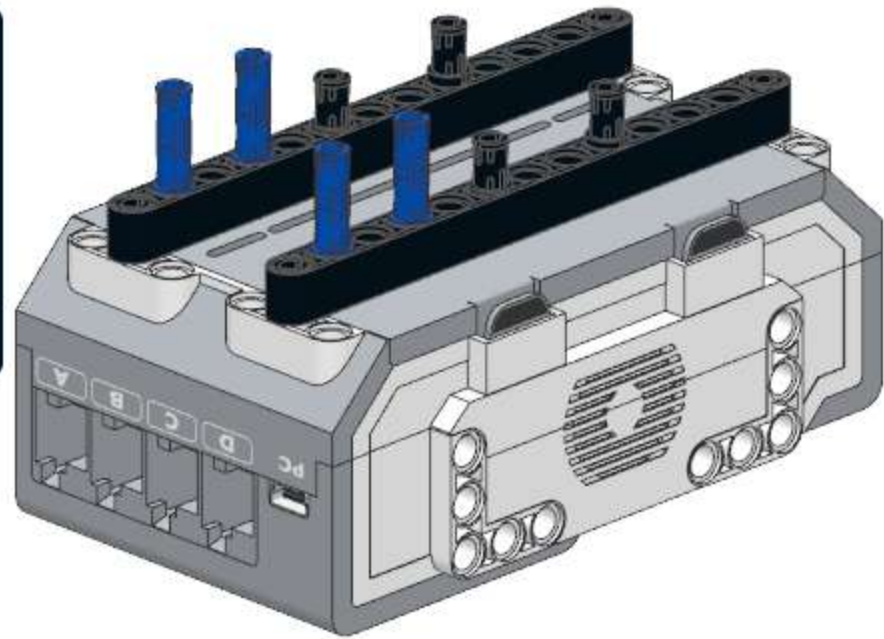
2



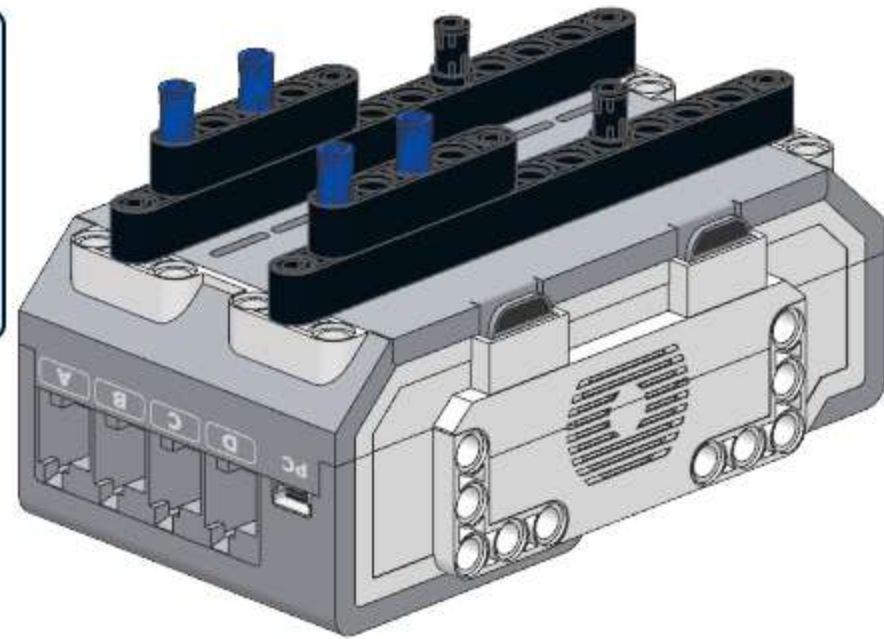
3



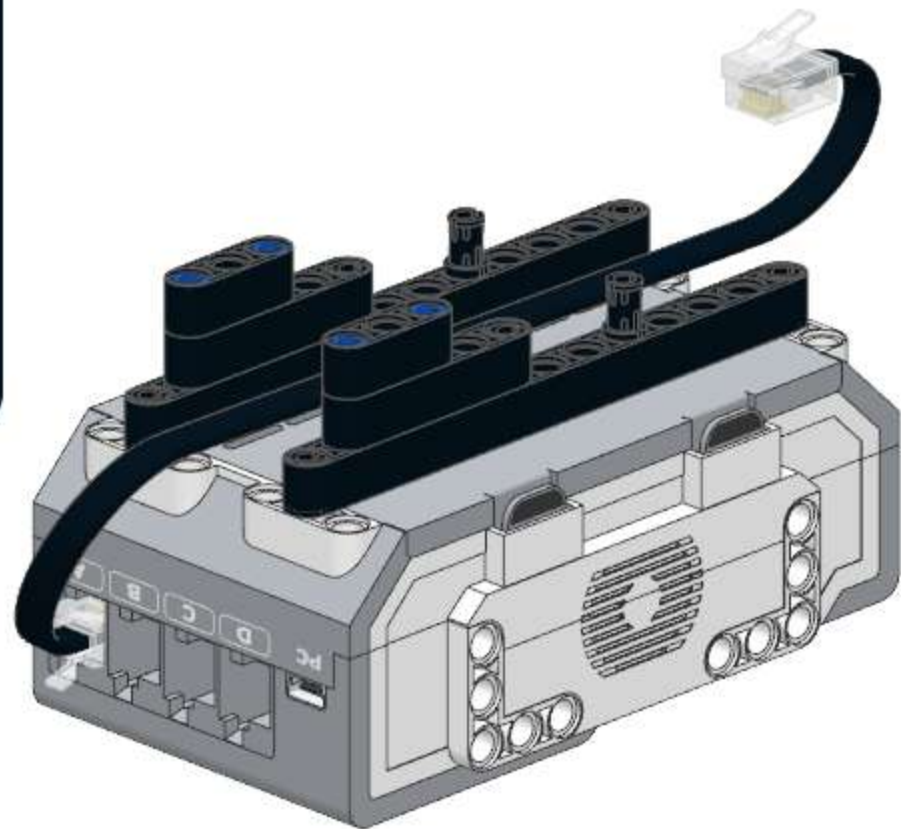
4
4x
4x



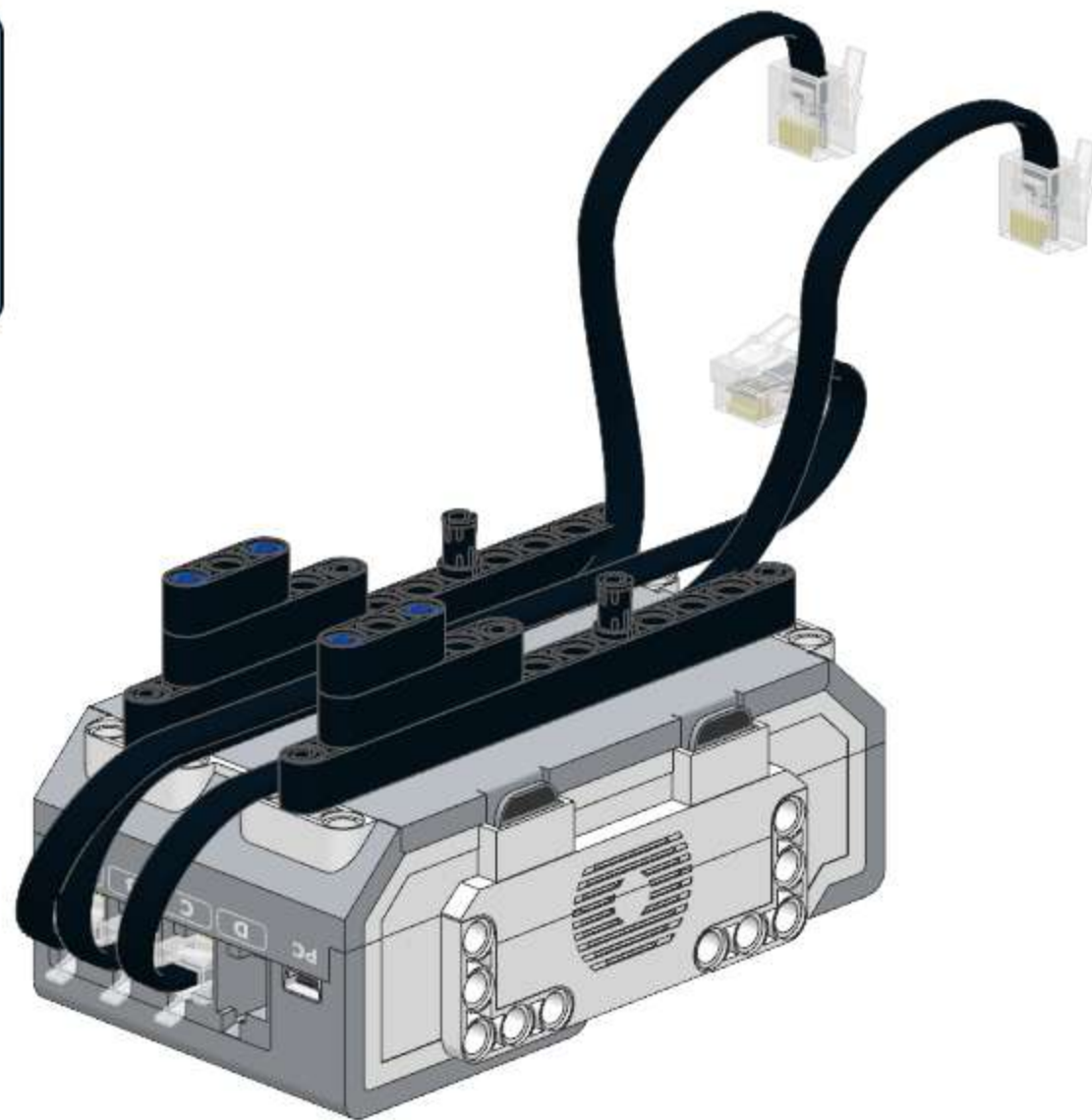
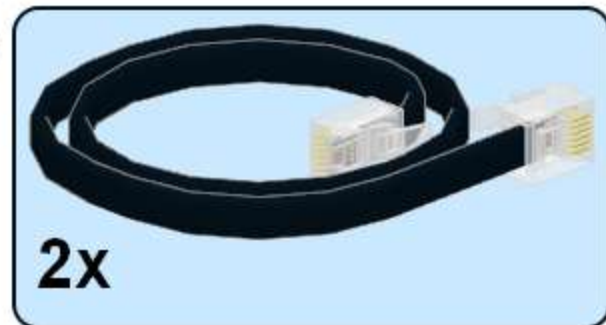
5
2x
5

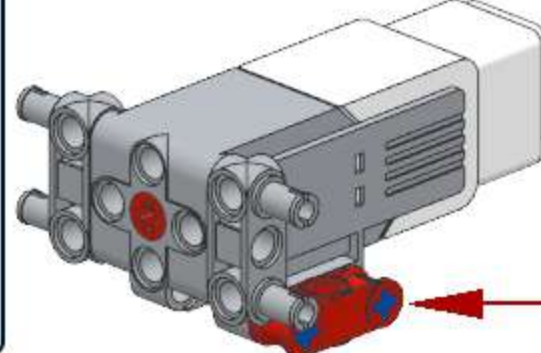
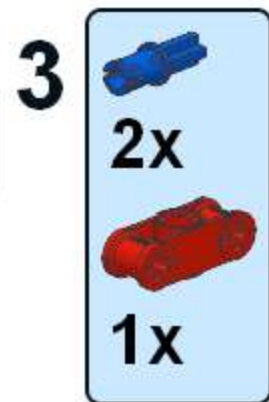
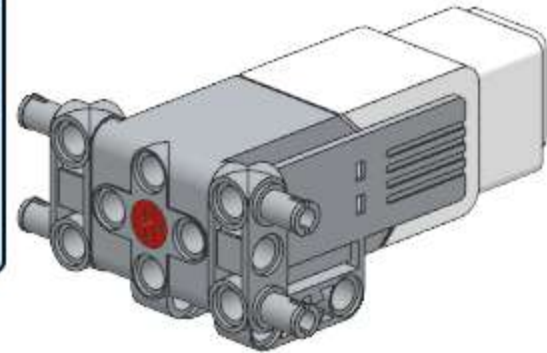
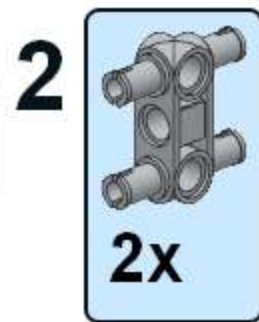
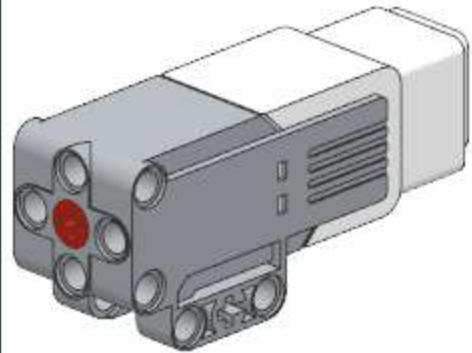
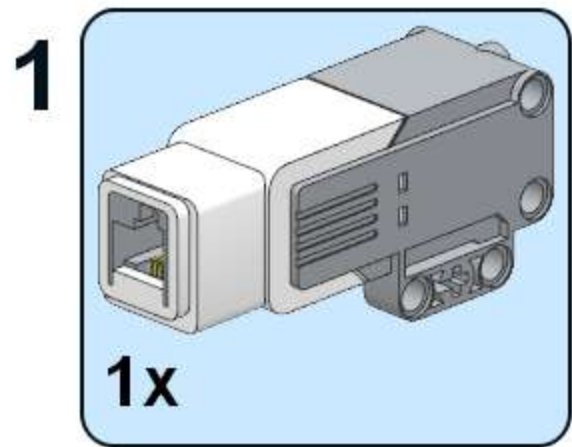


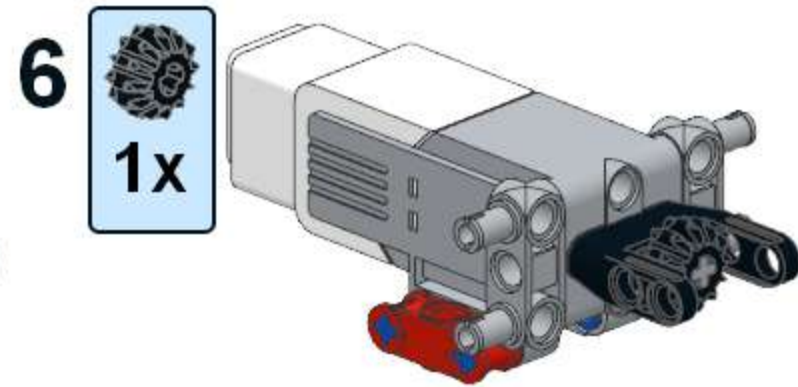
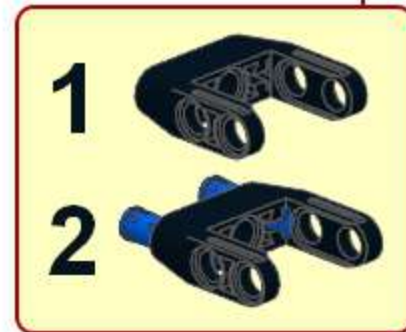
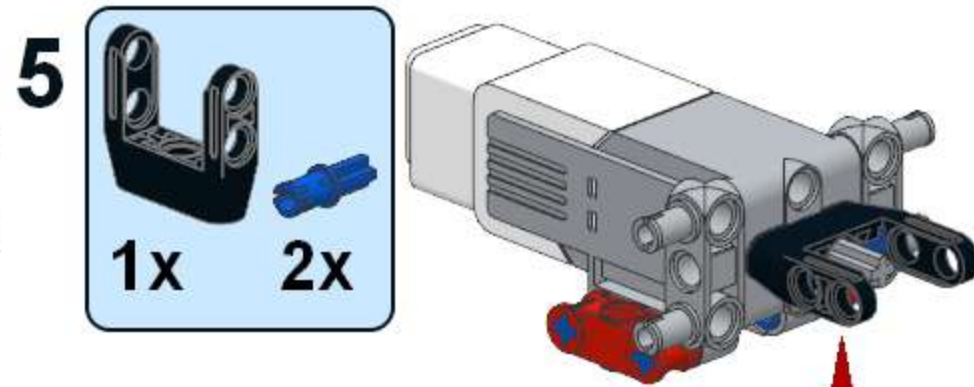
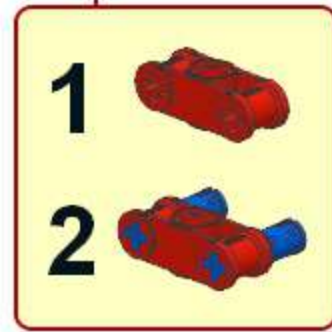
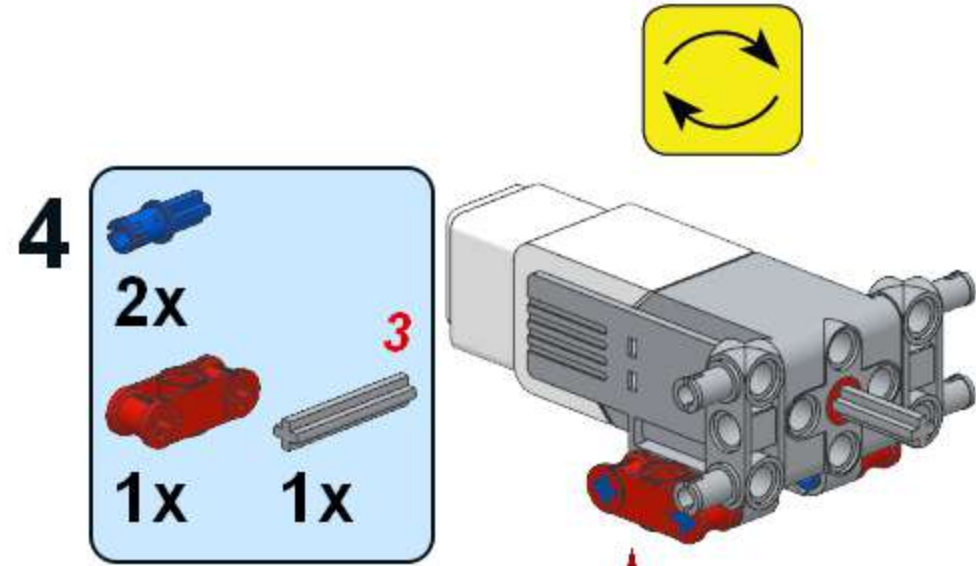
6

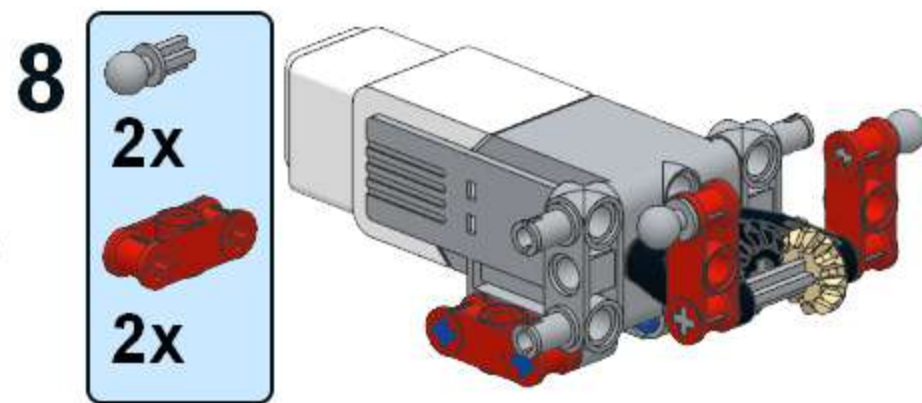
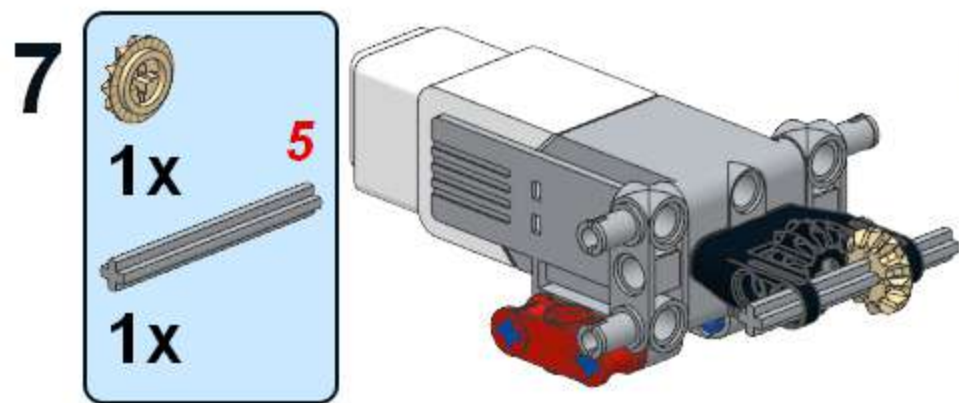


7

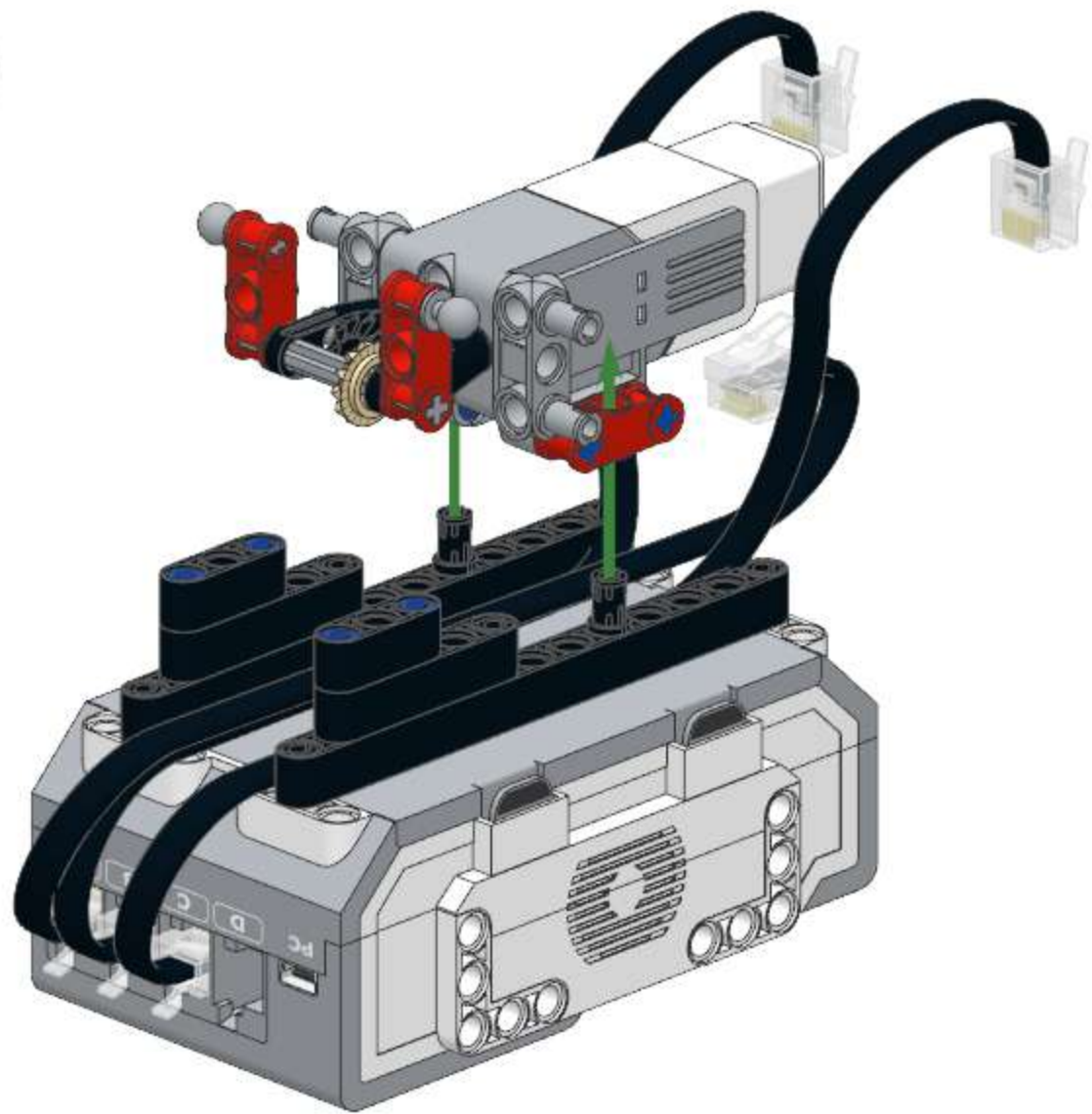




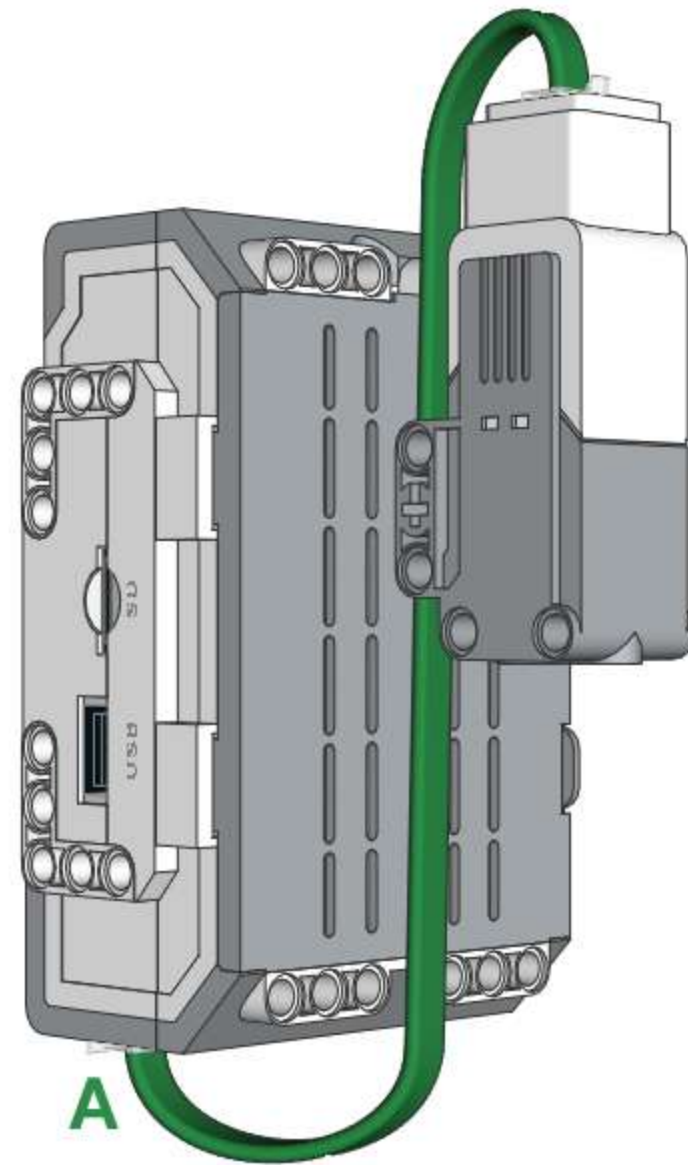
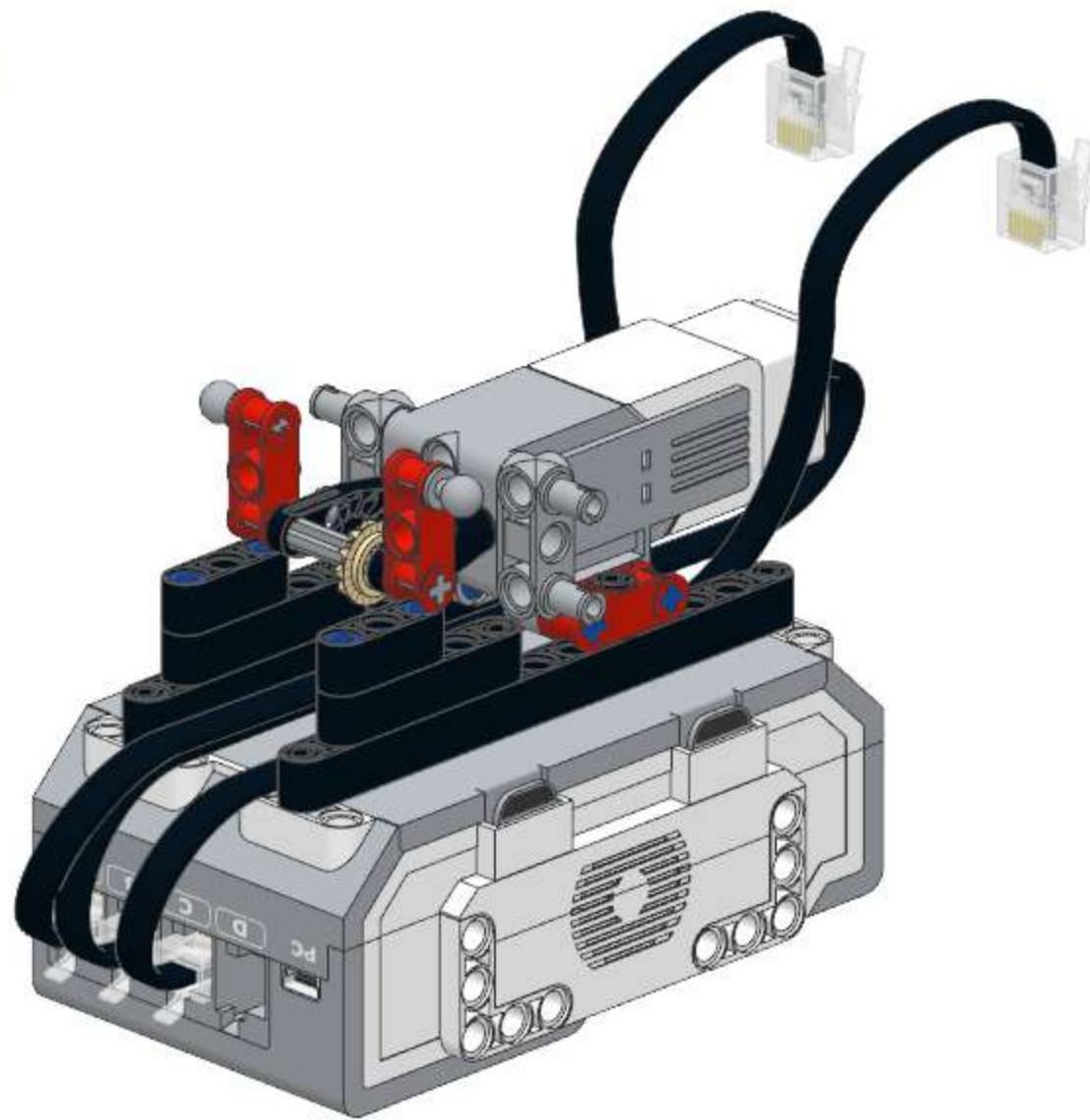




8

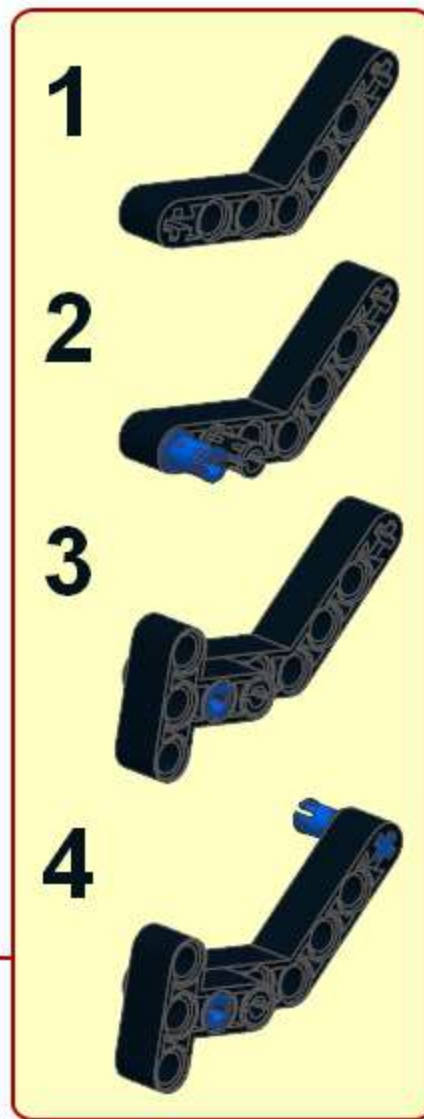
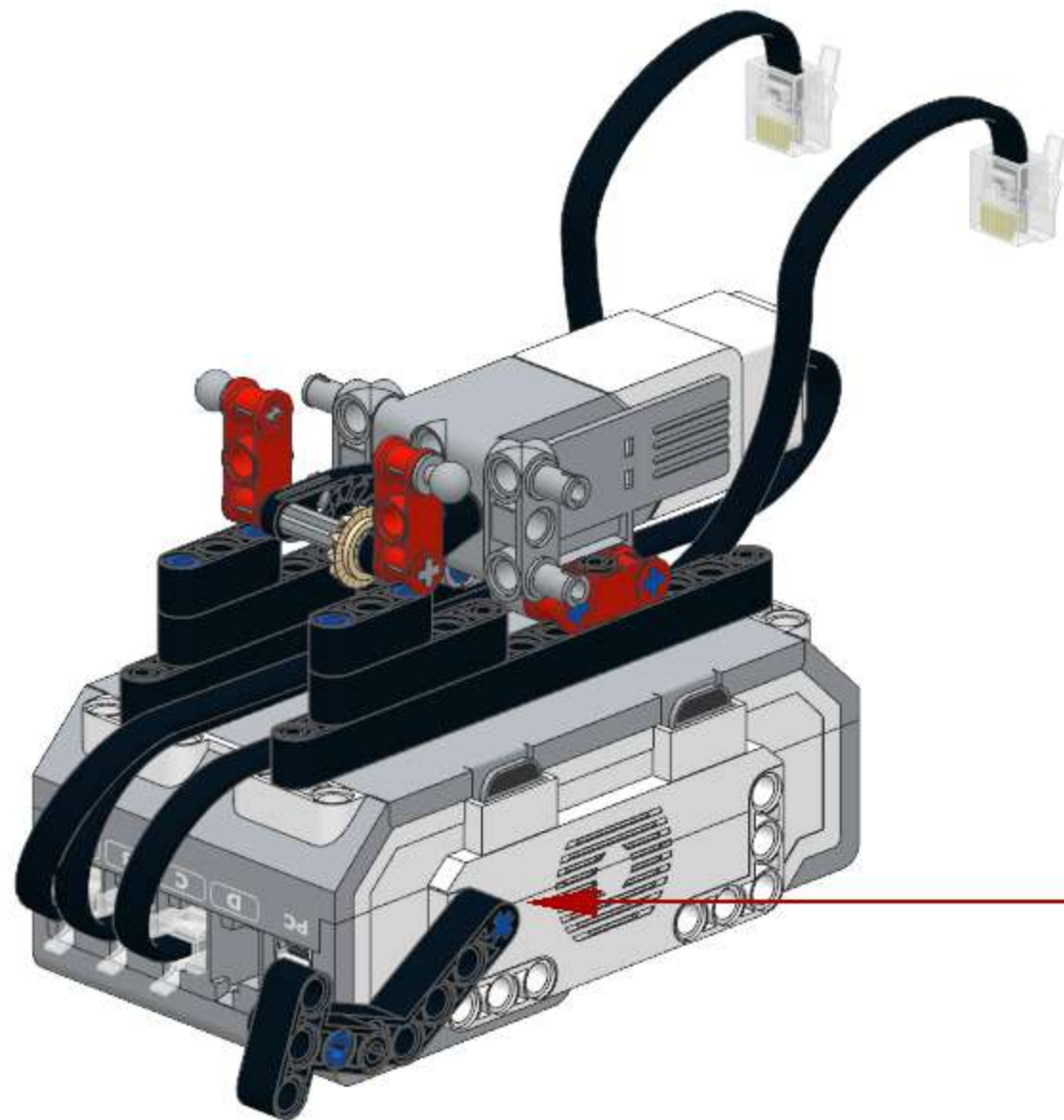
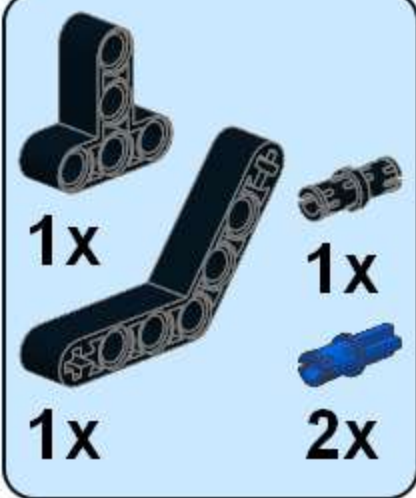


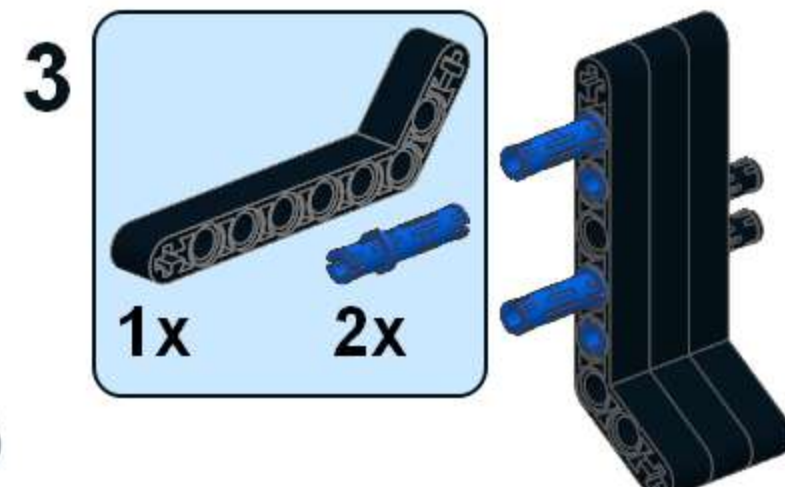
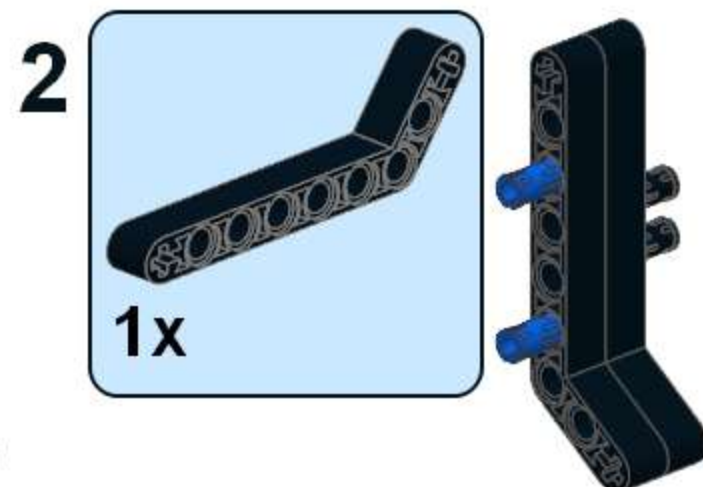
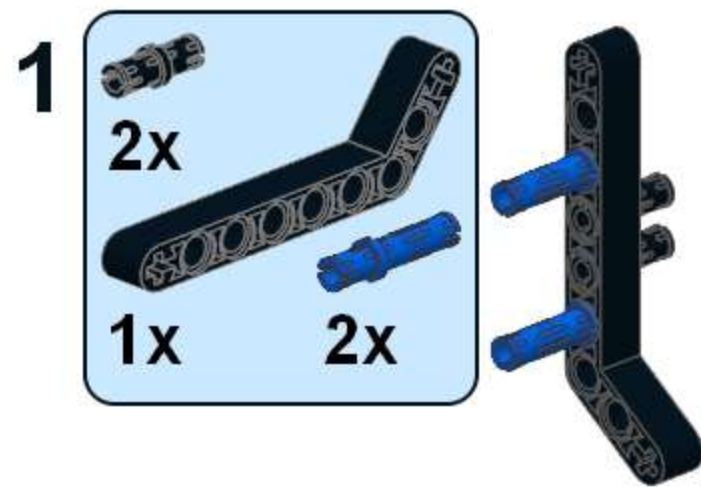
9

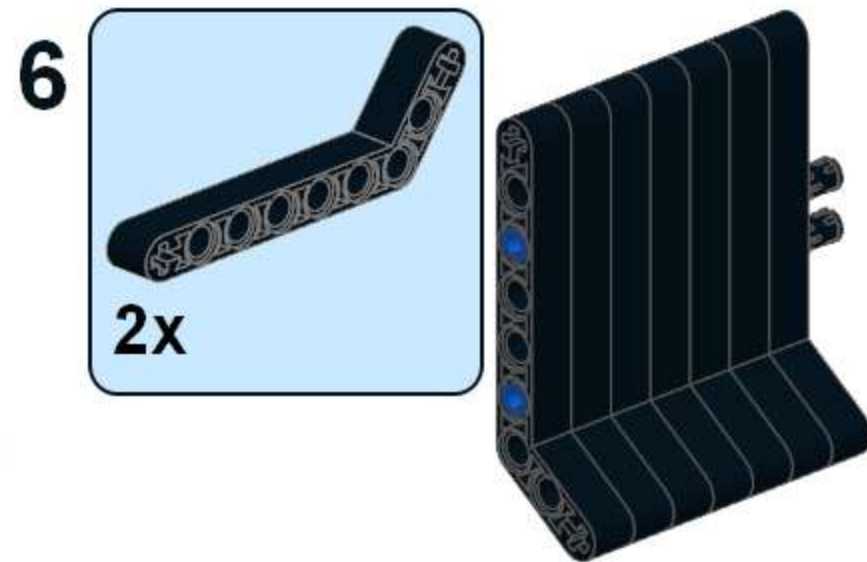
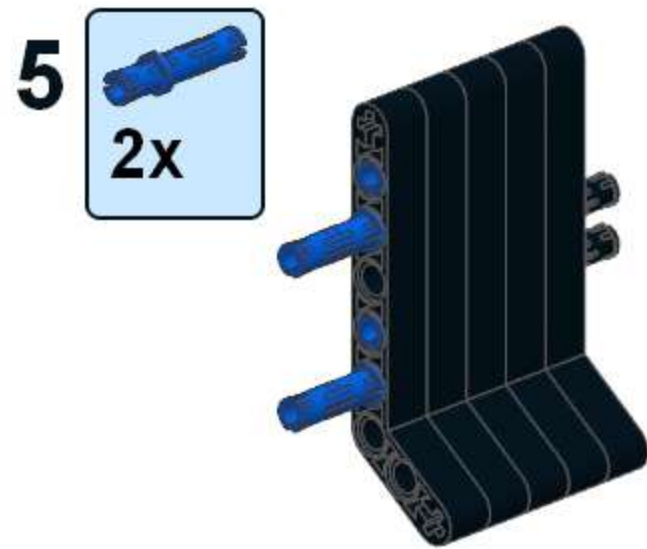
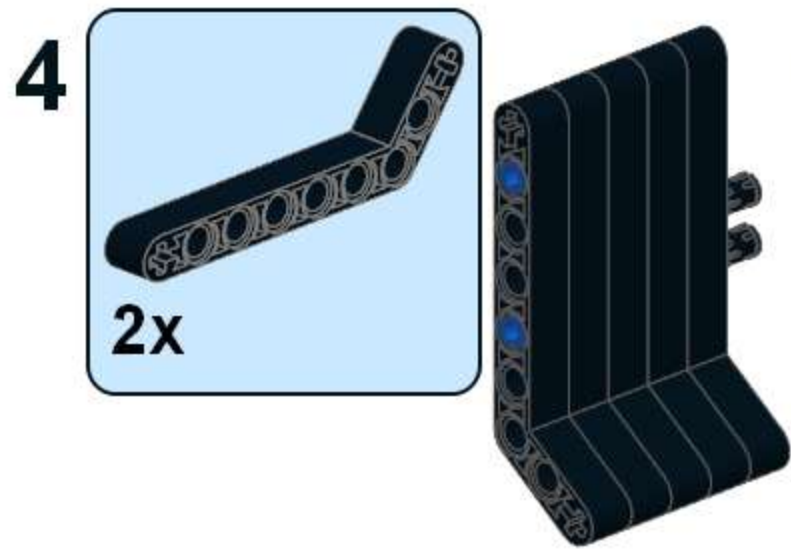


8

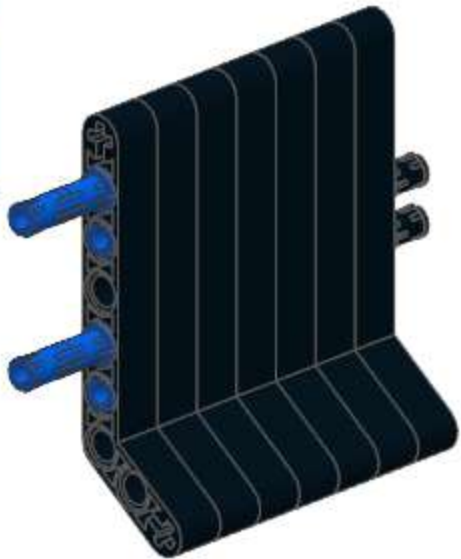
10



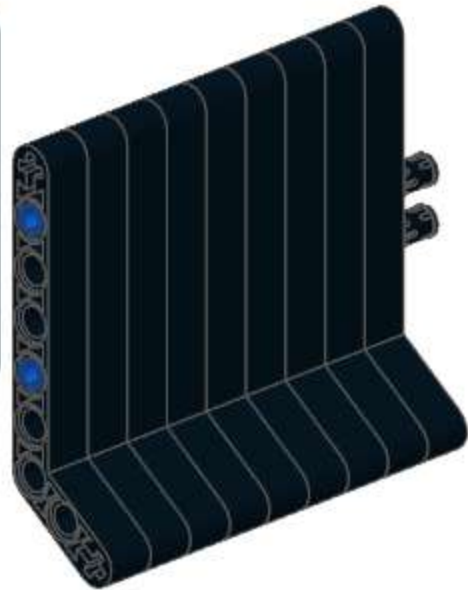




7



8



9



10



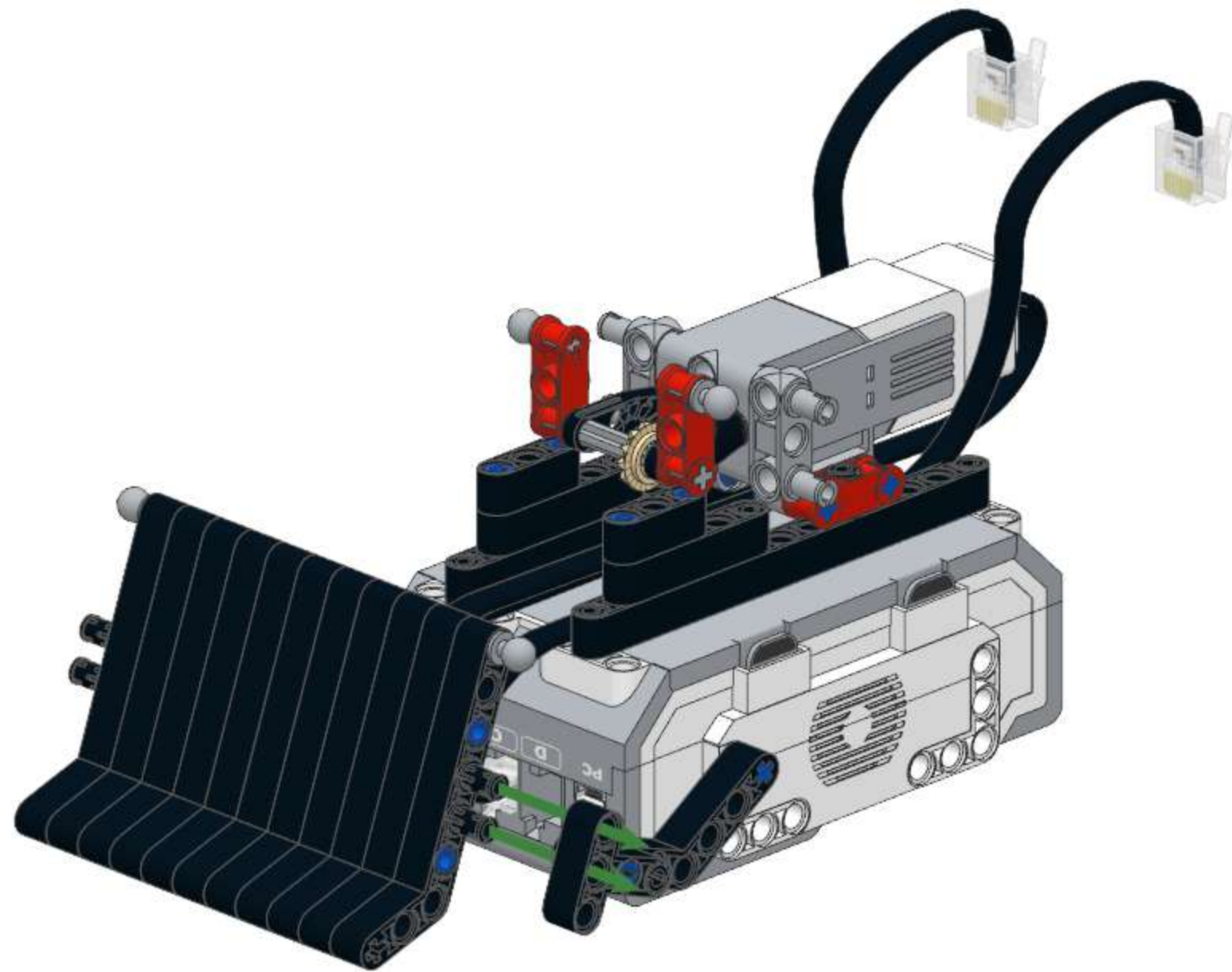
11



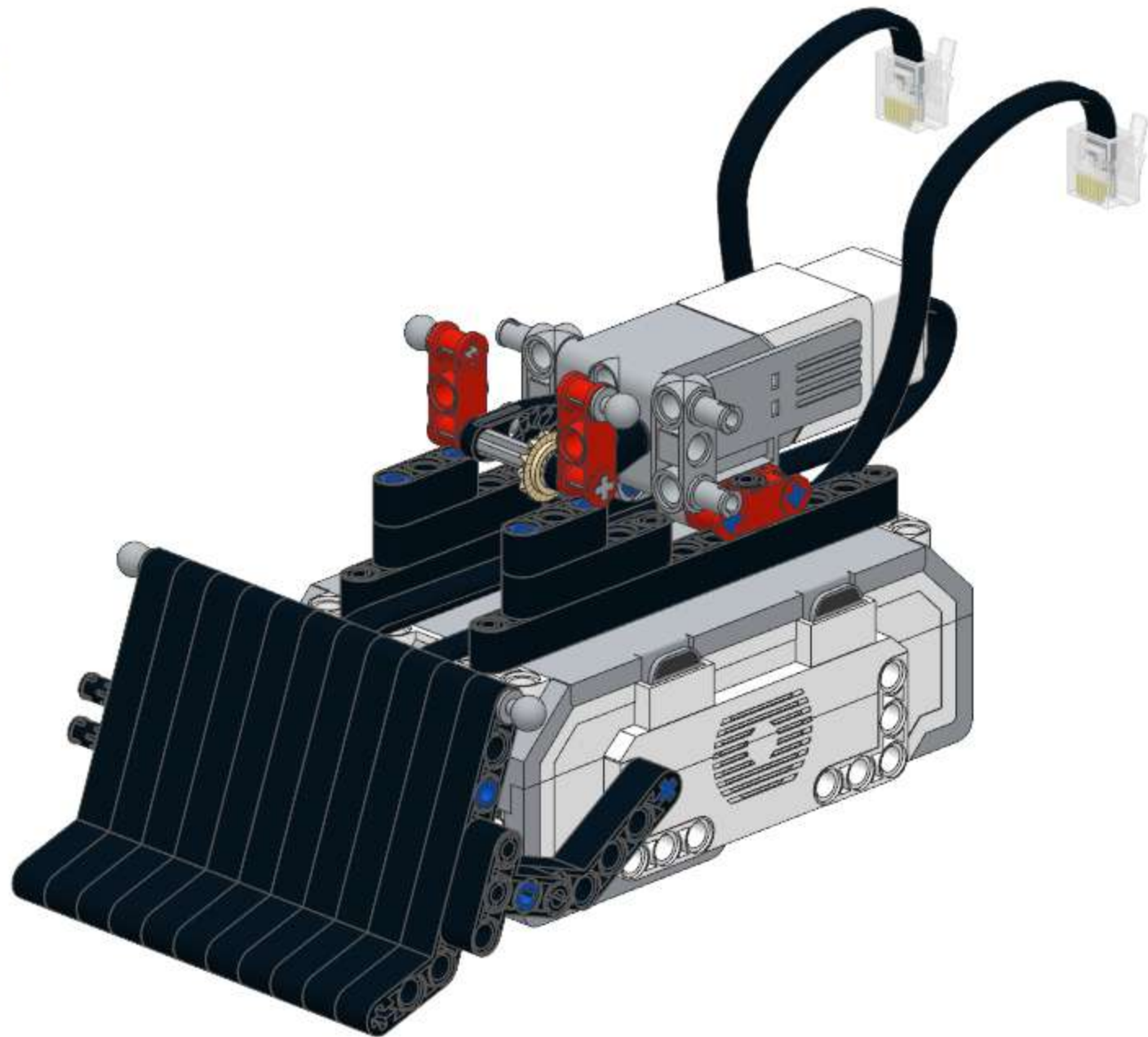
12







11







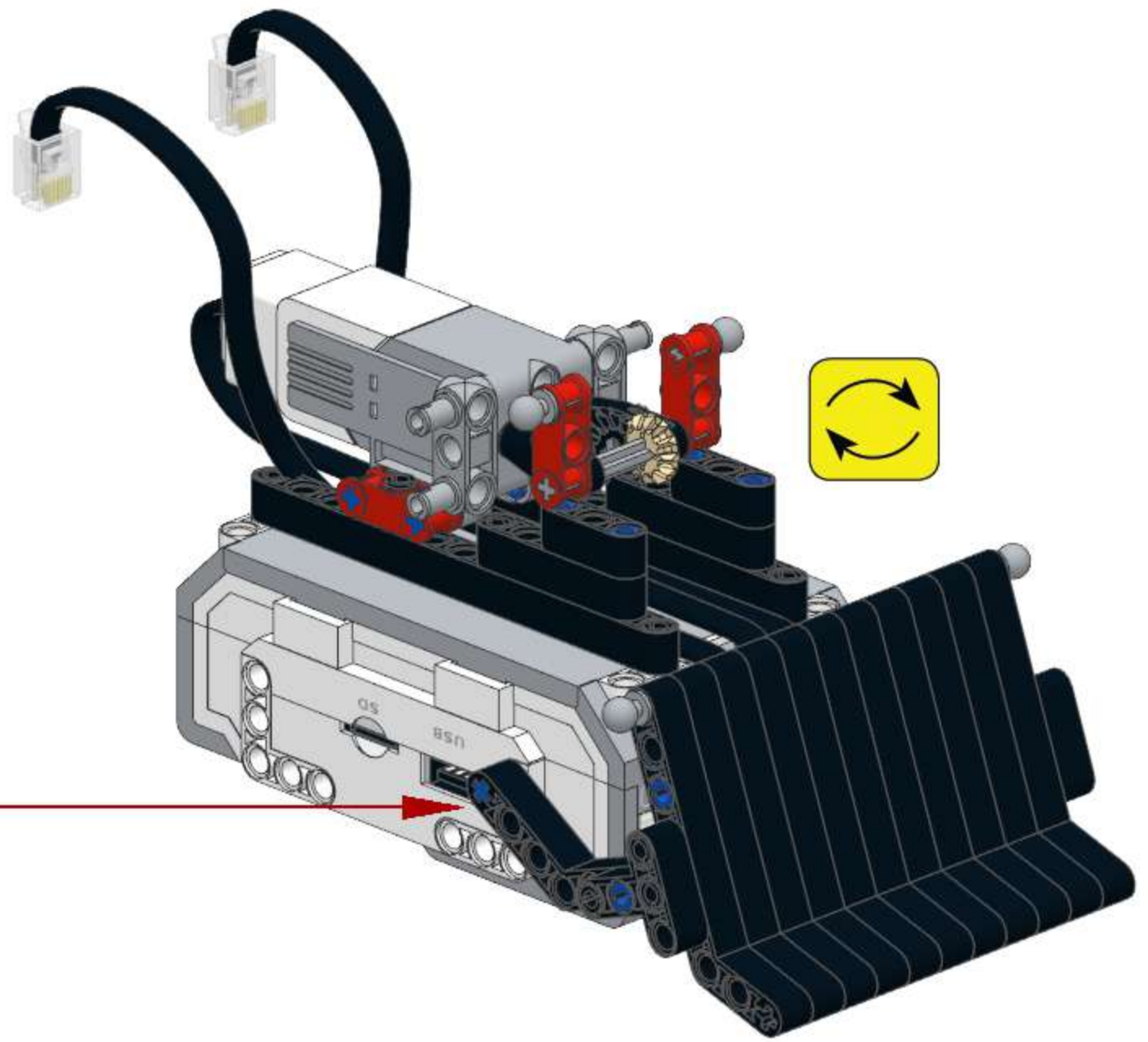
12



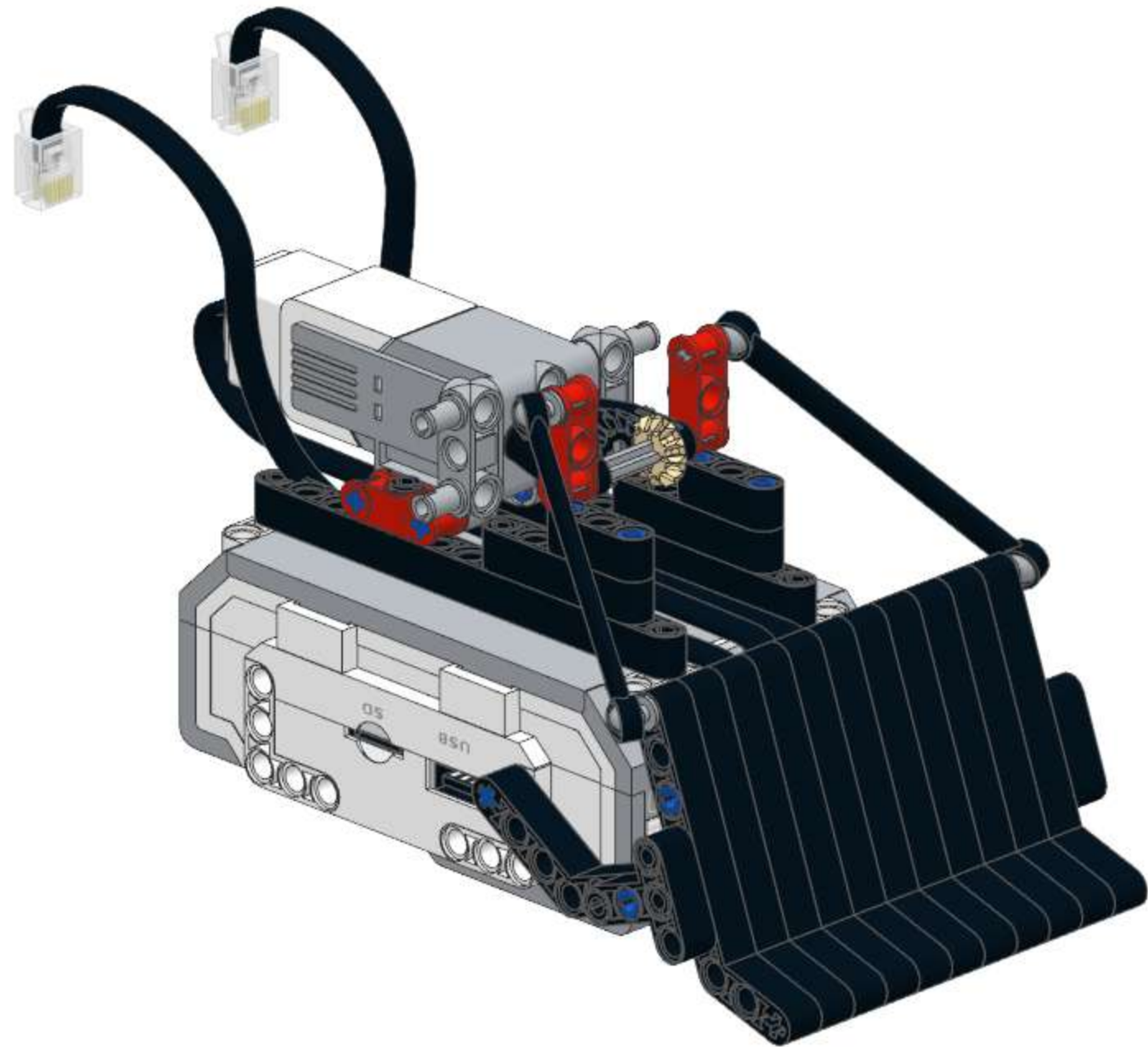
13

	
	
1x	1x
1x	2x

- 
- 
- 
- 

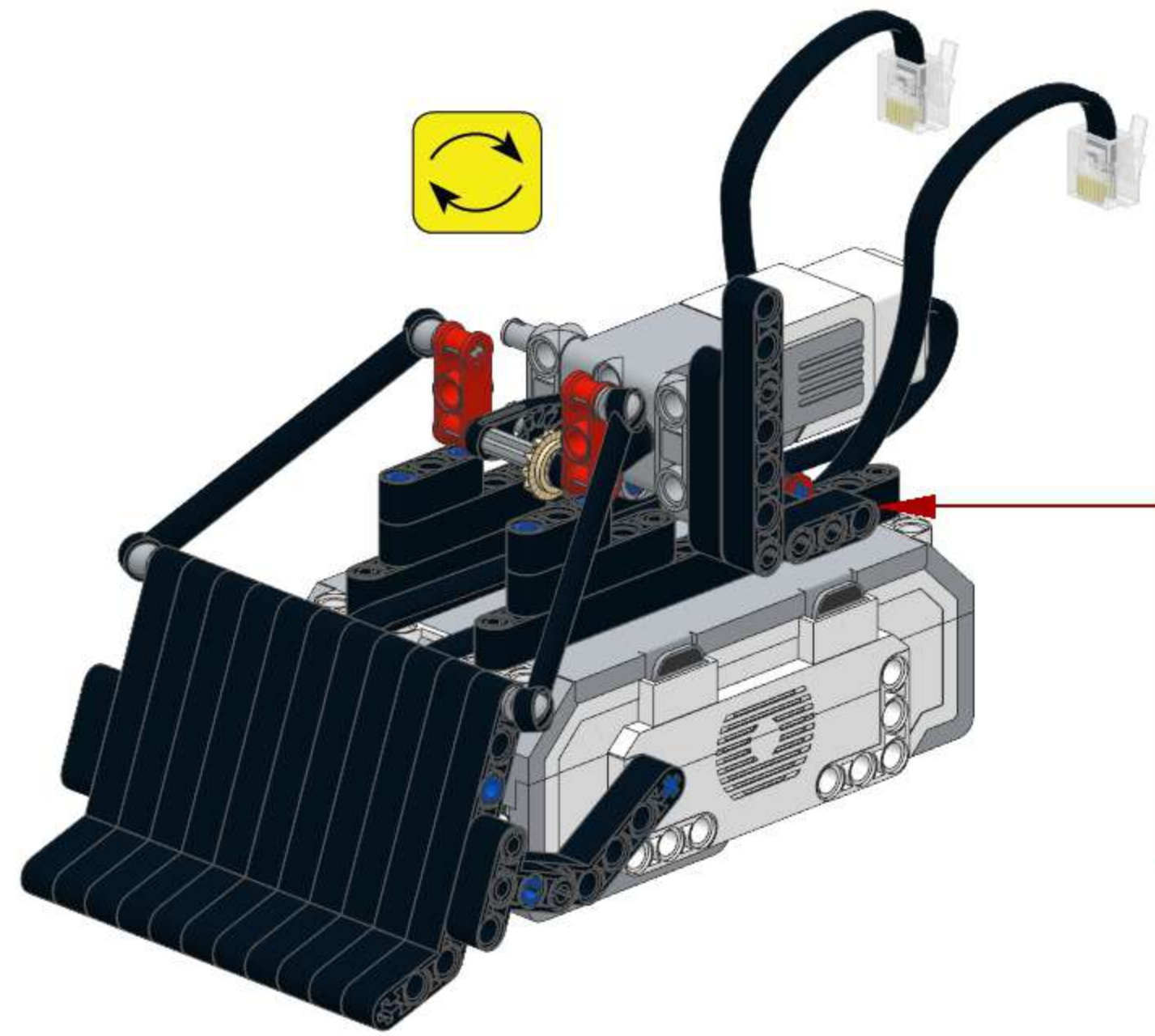


14

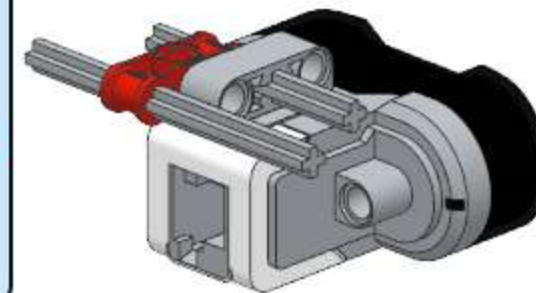
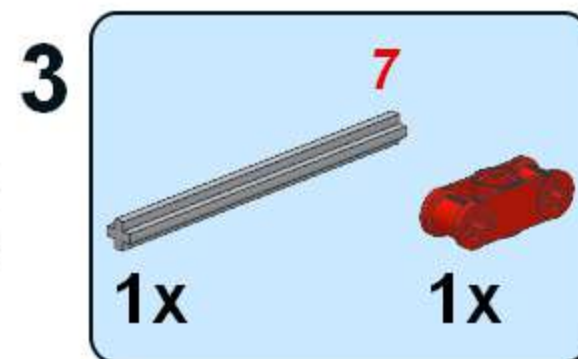
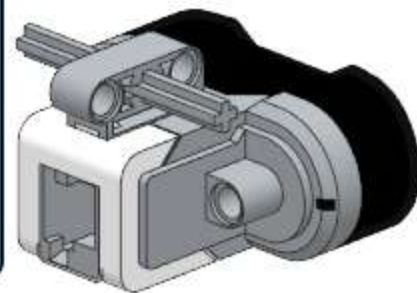
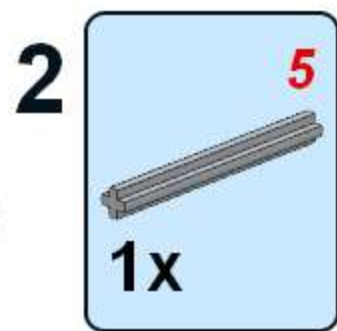
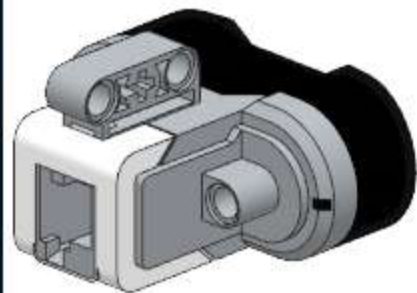
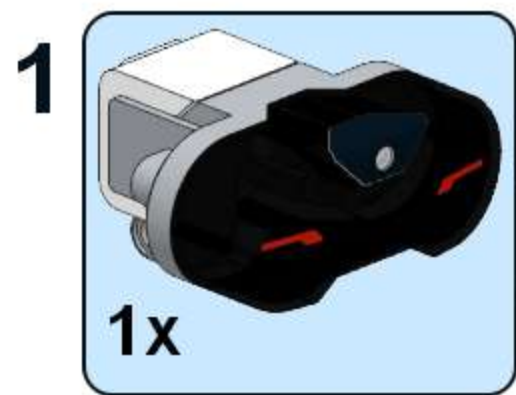


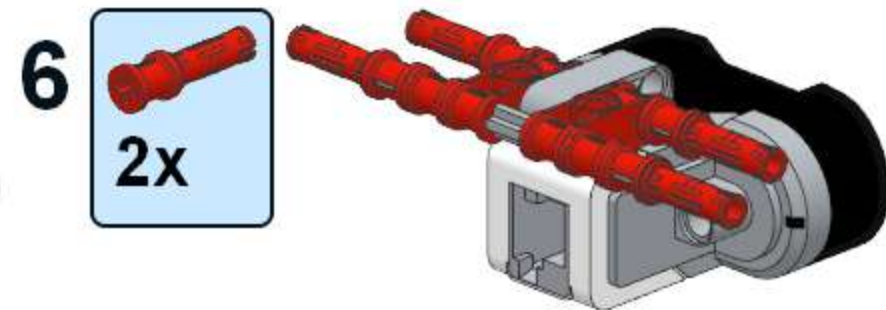
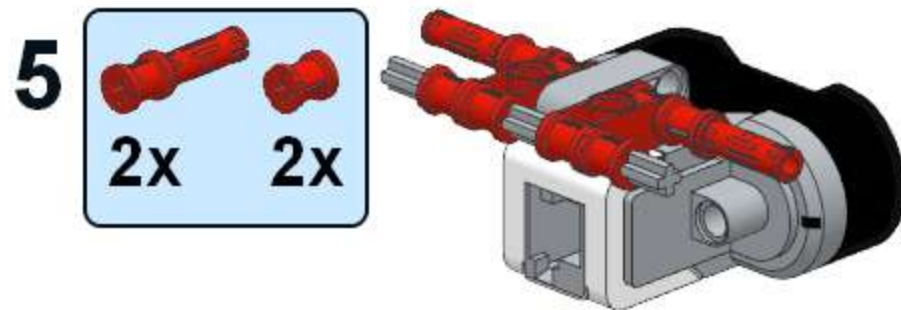
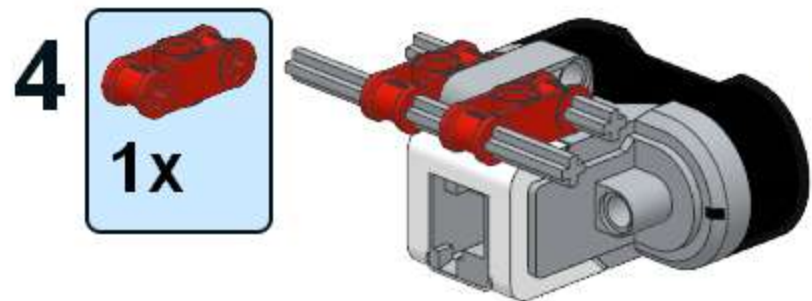
15

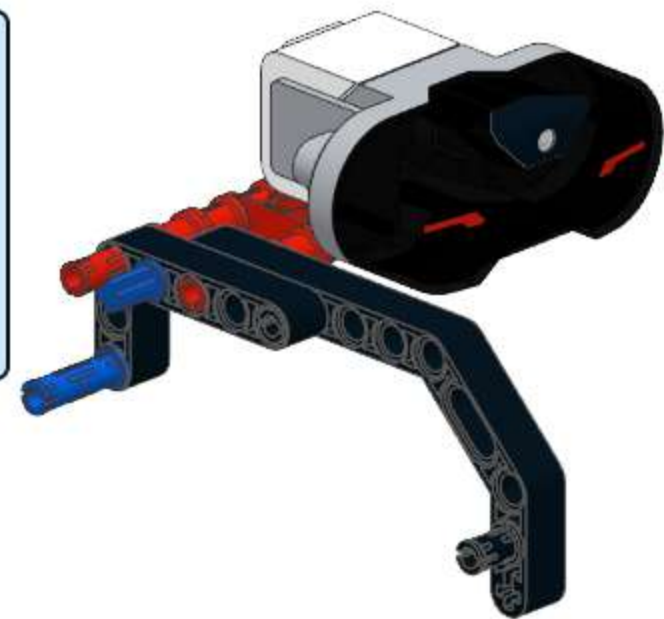
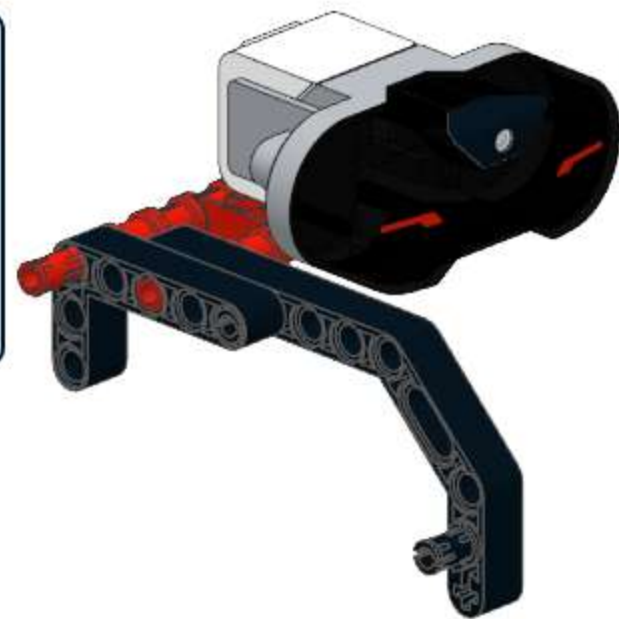
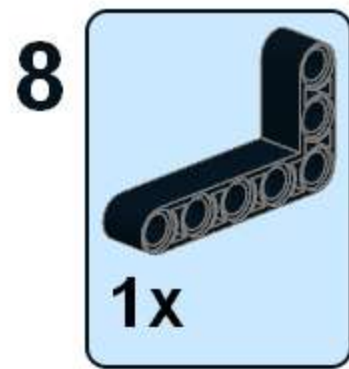
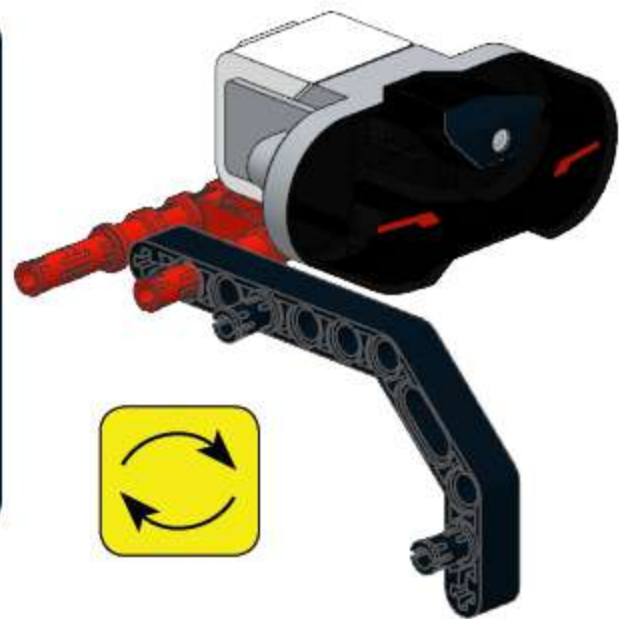
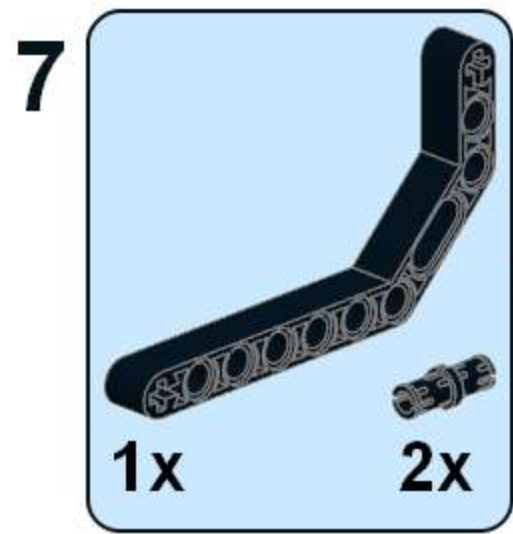
3
1x
1x
1x
7
4x



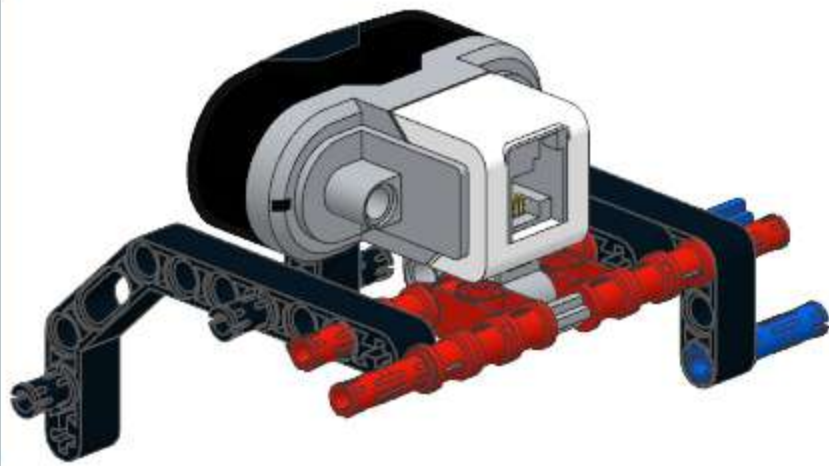
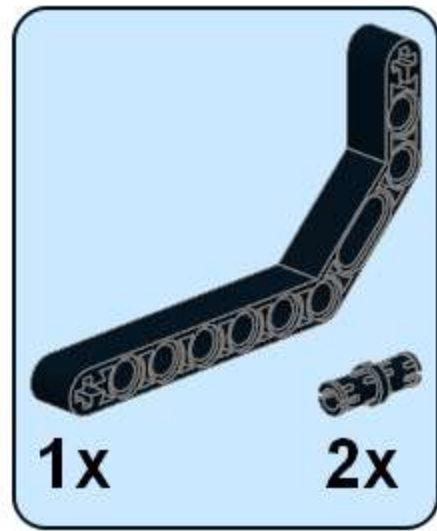
1 2 3 4



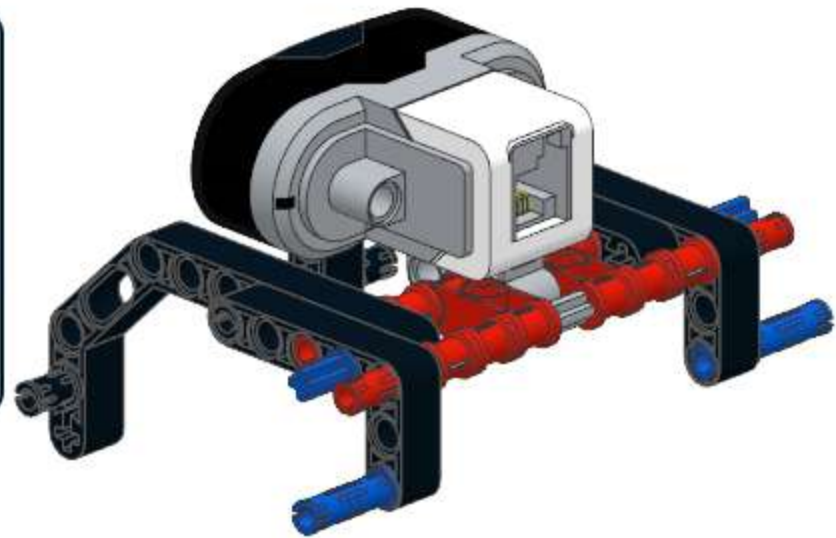
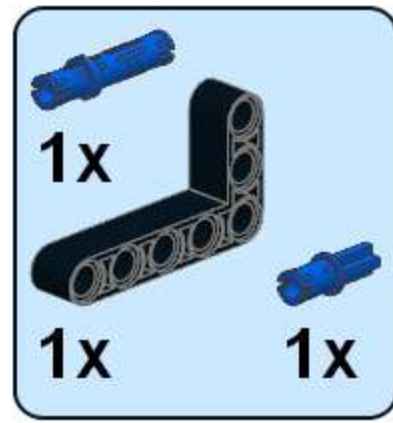


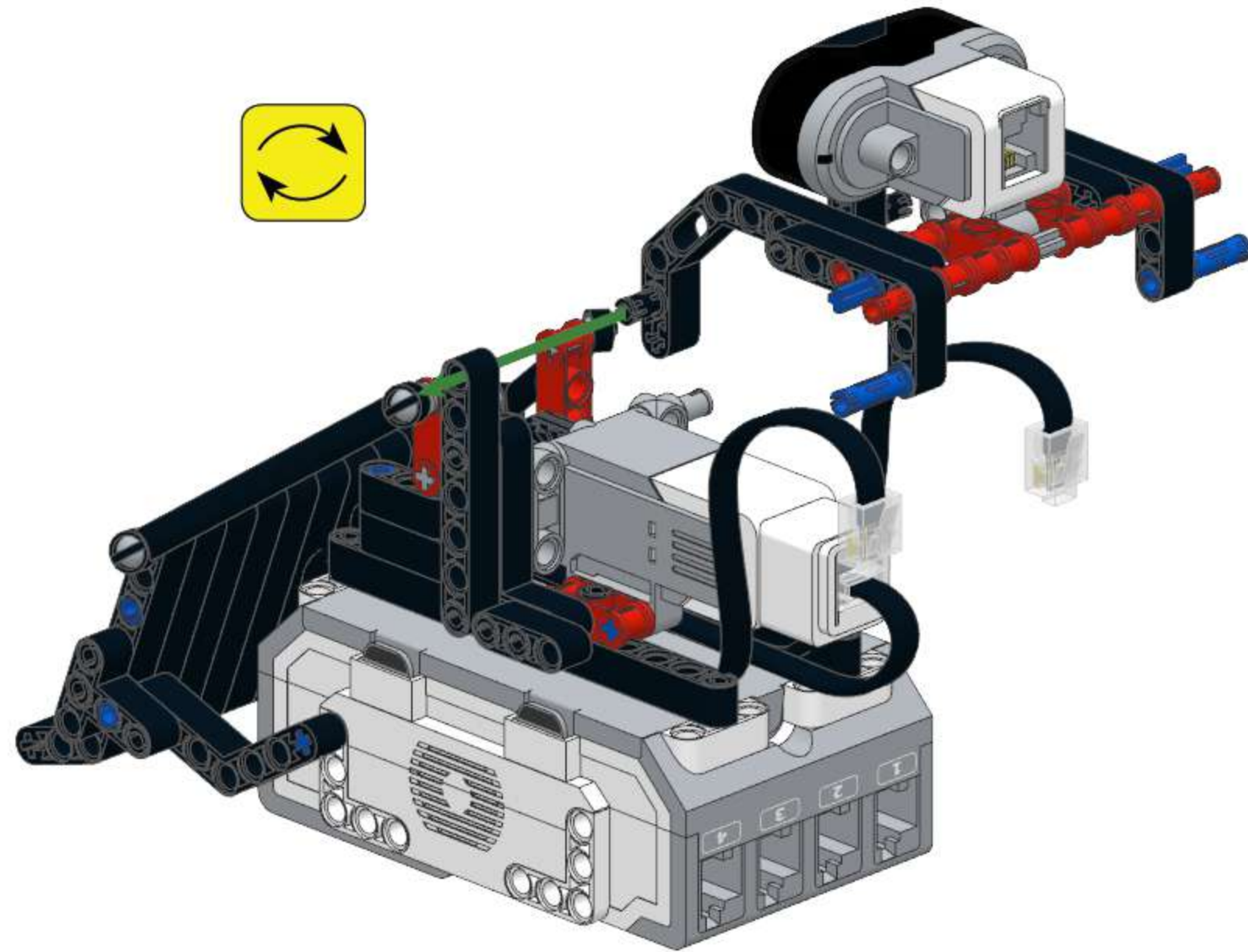


10

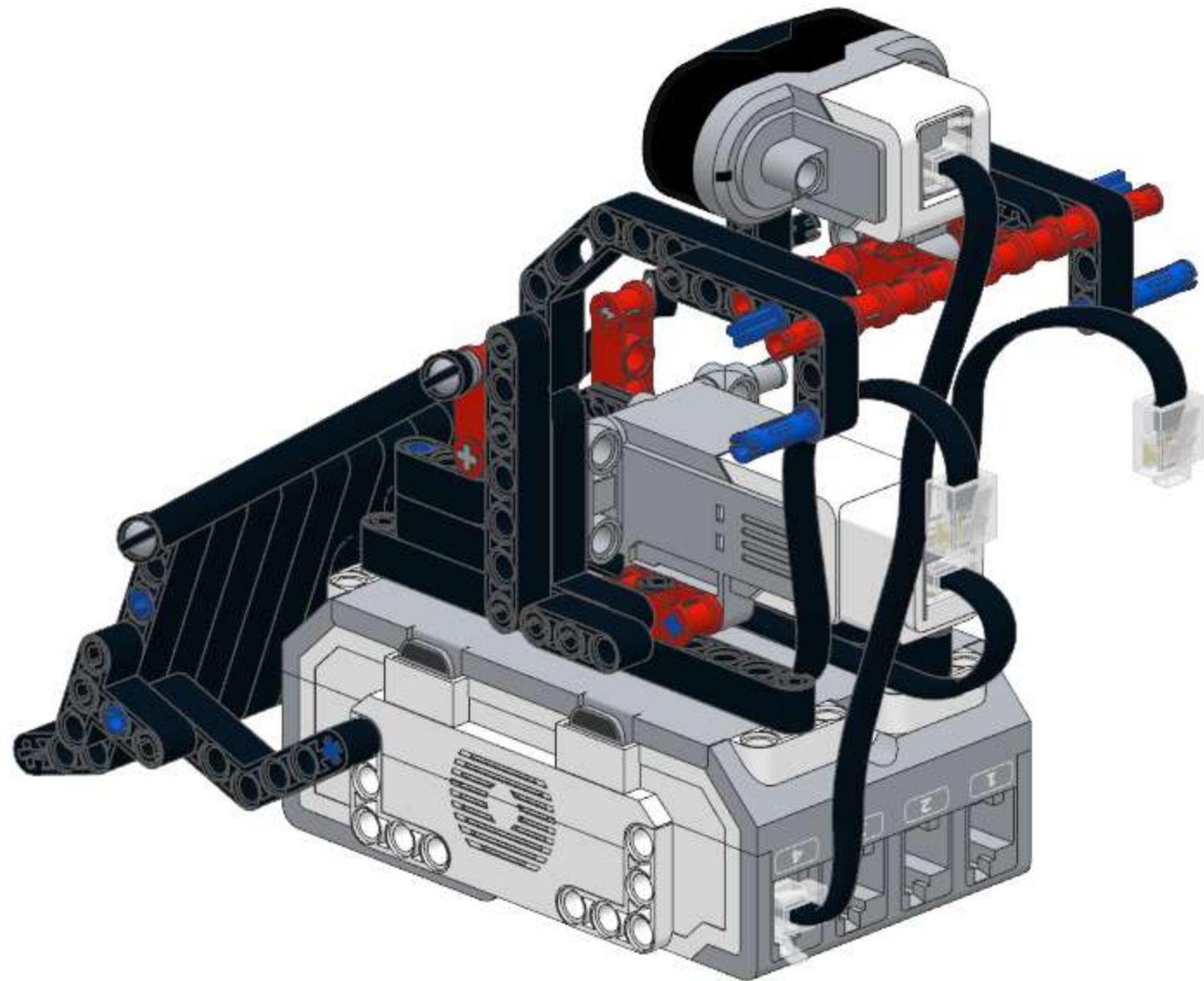
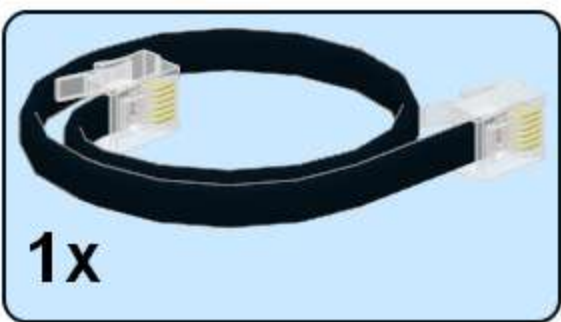


11





17

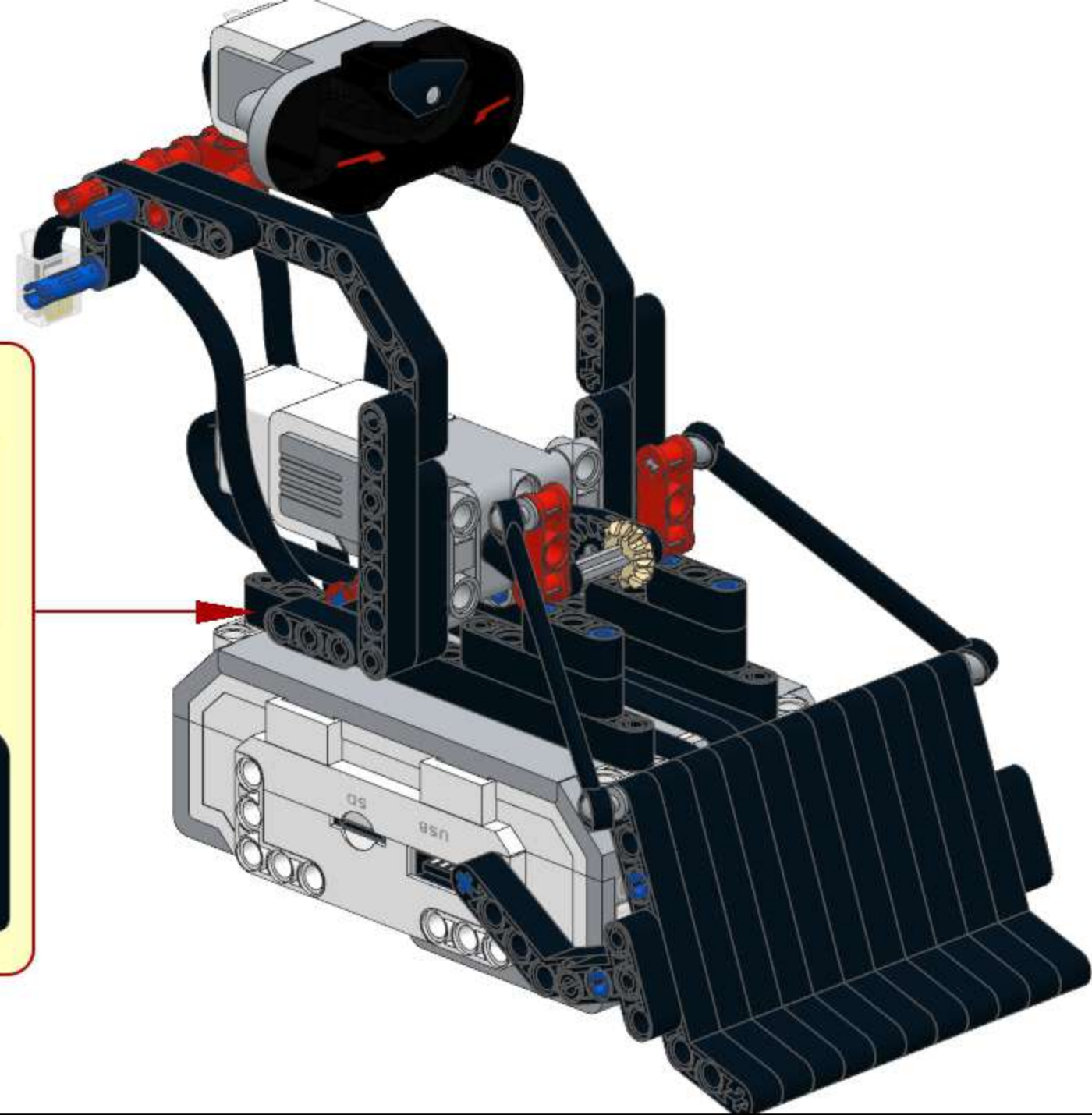


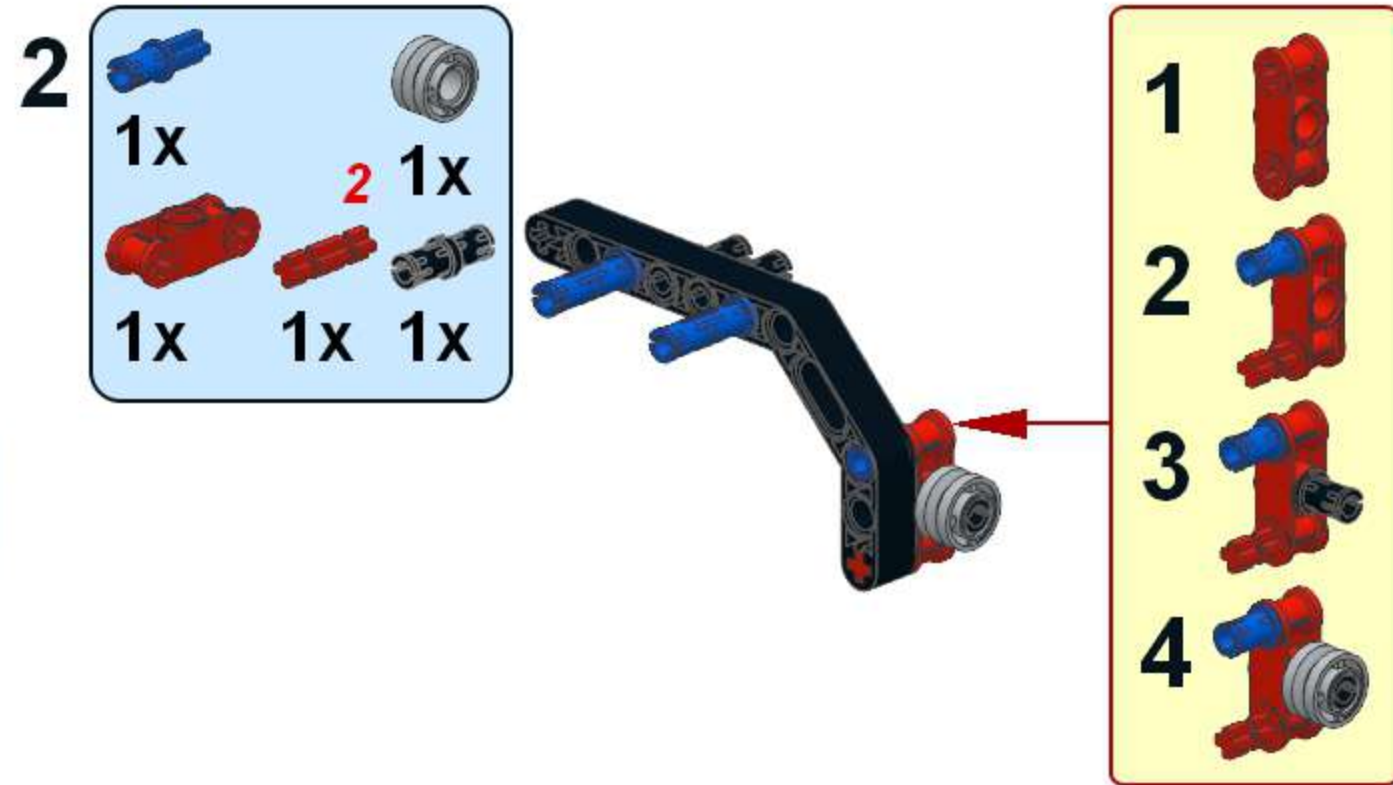
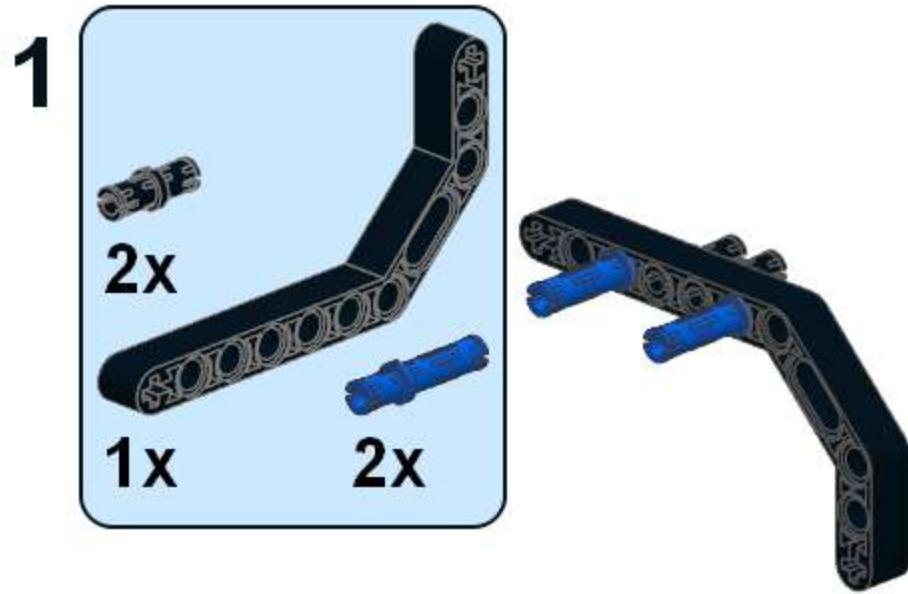
18

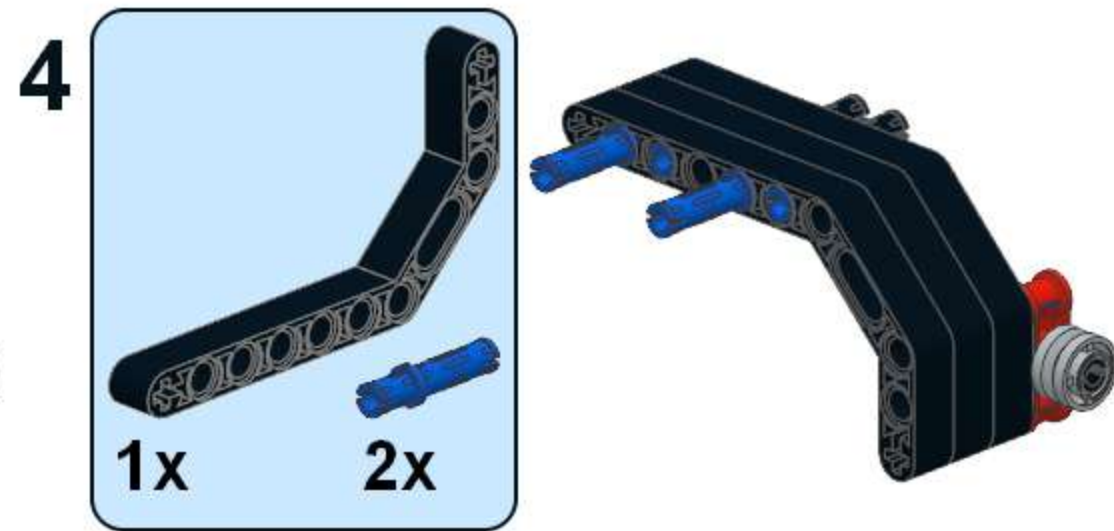
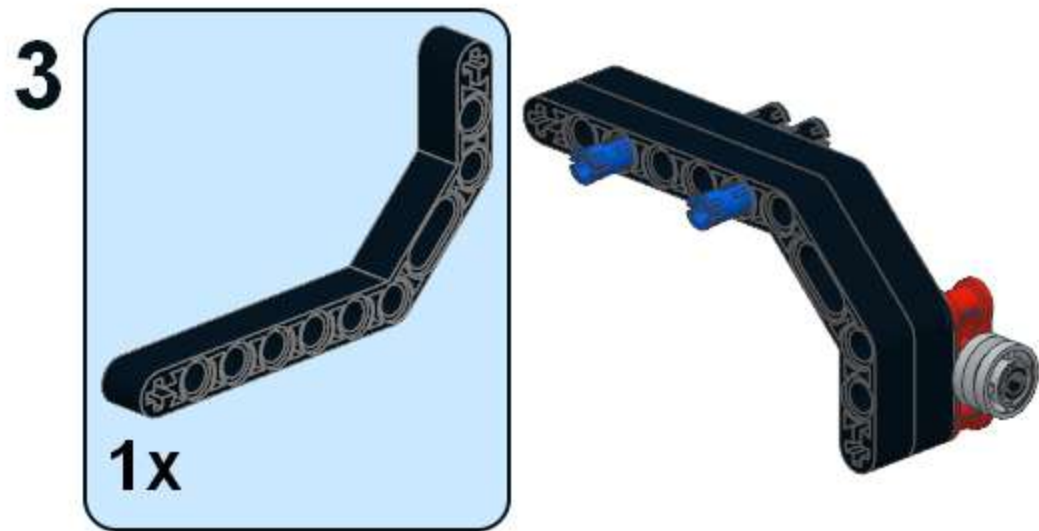
3
1x
1x
7
1x 4x



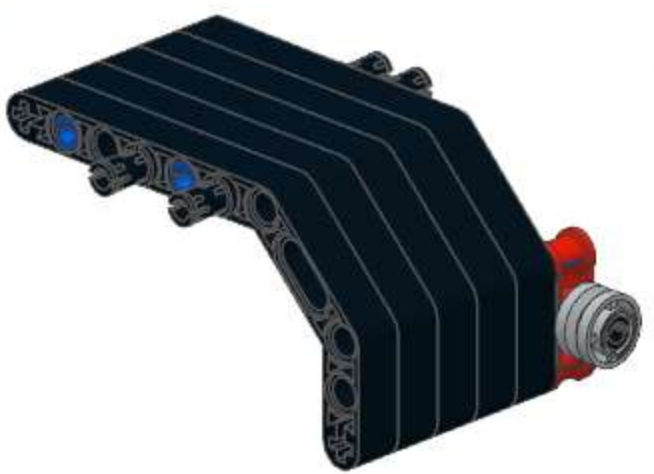
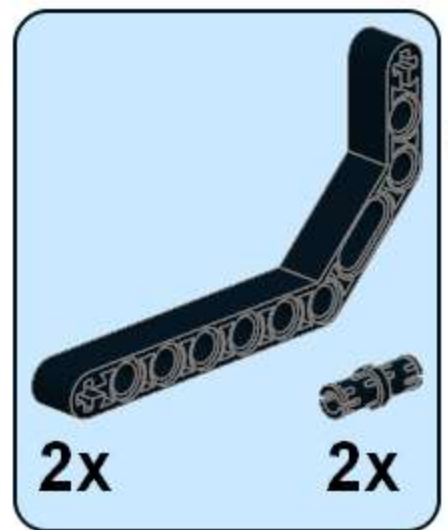
1 2 3 4



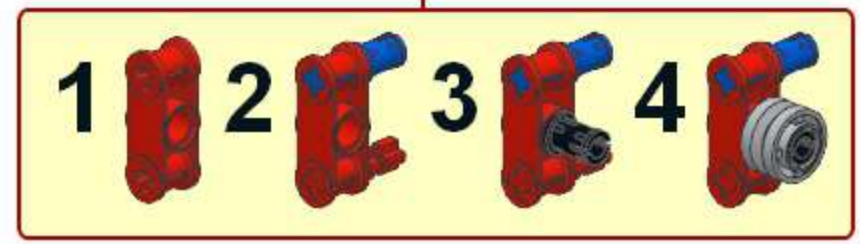
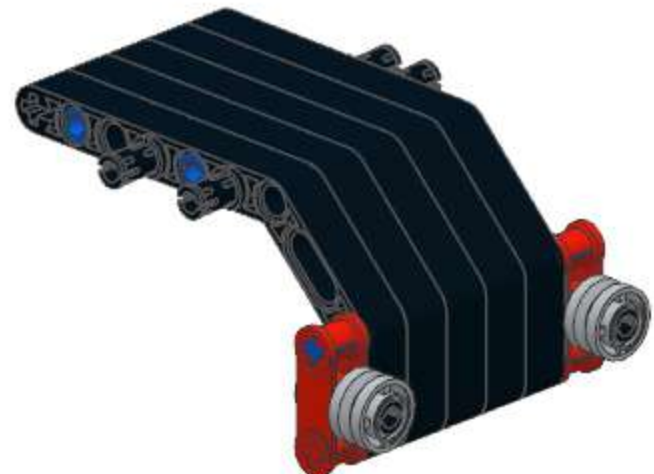




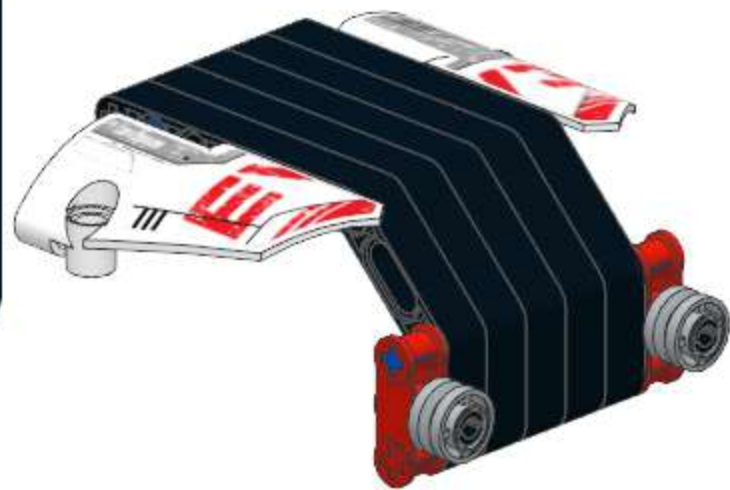
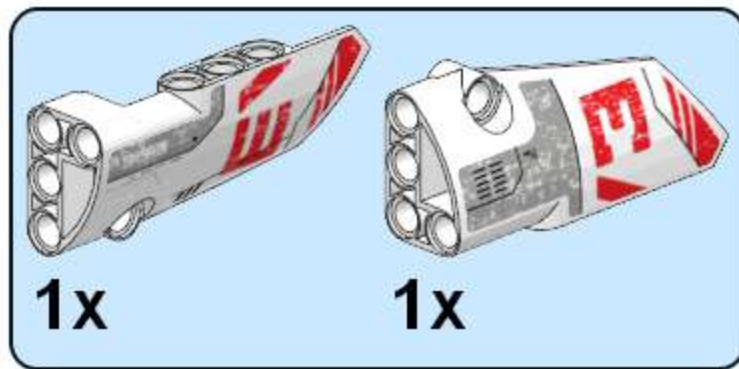
5



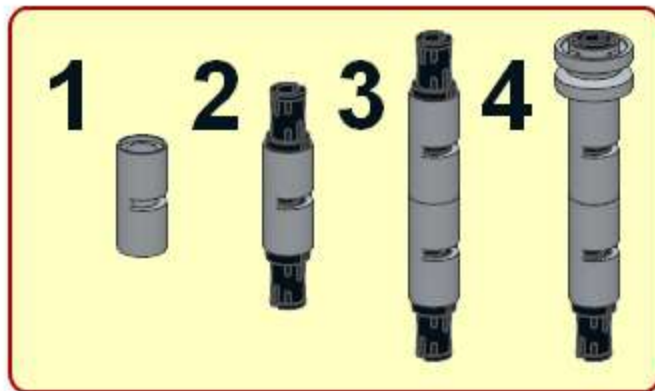
6



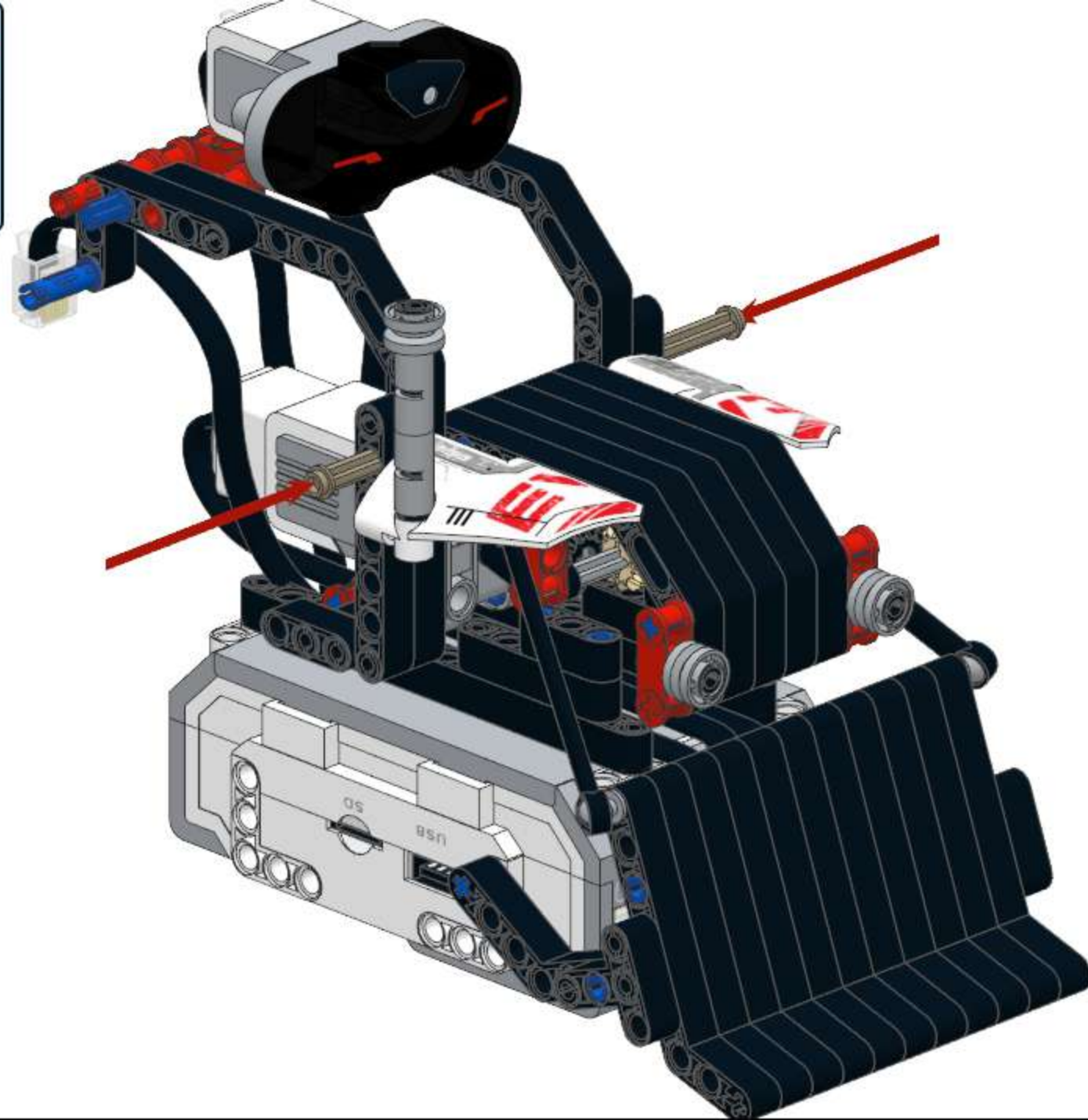
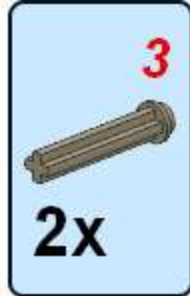
7



8

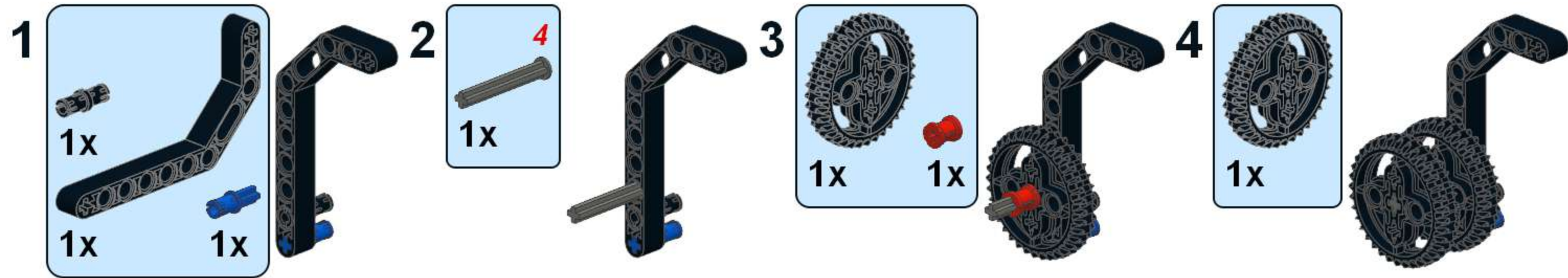


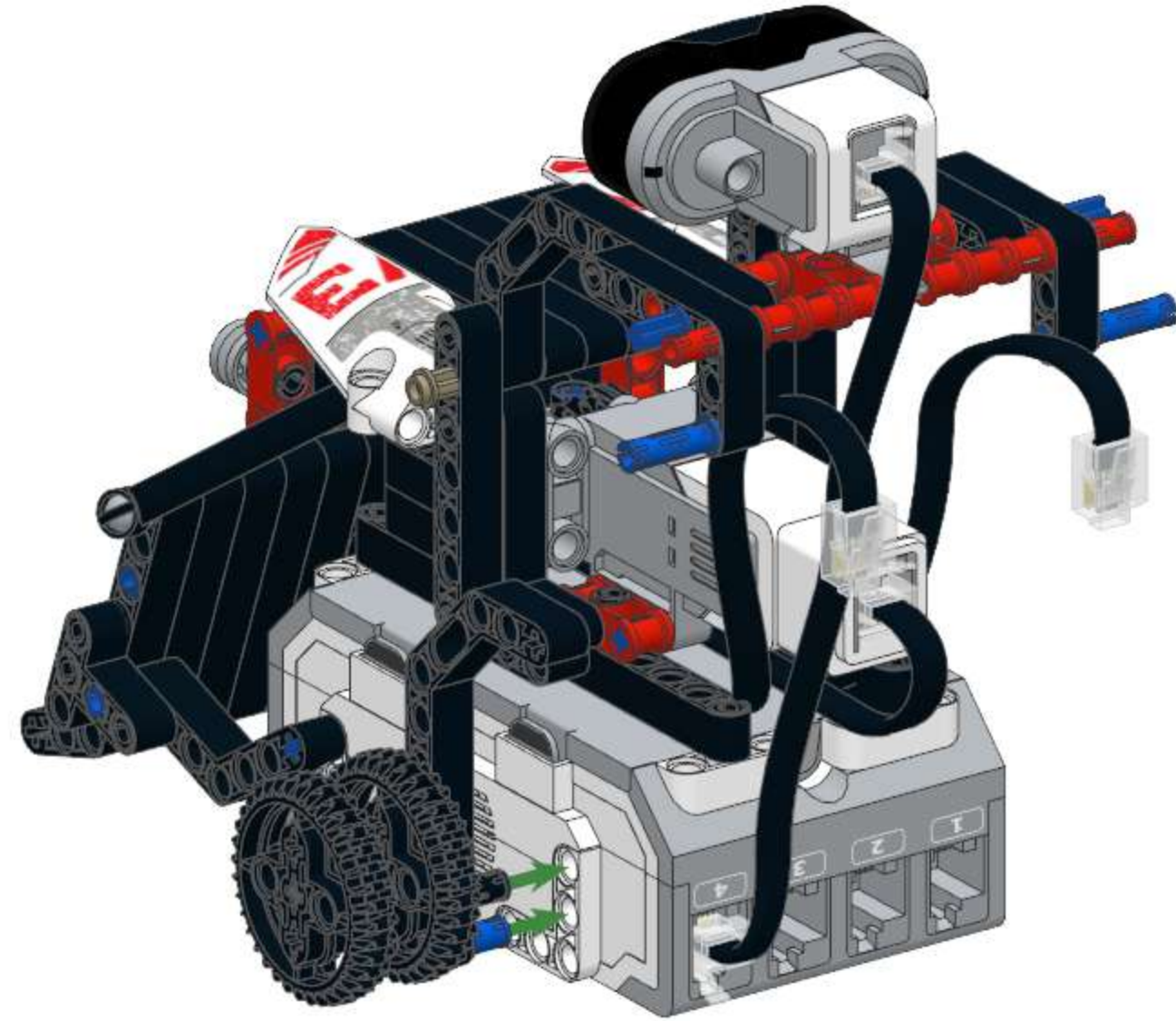
19



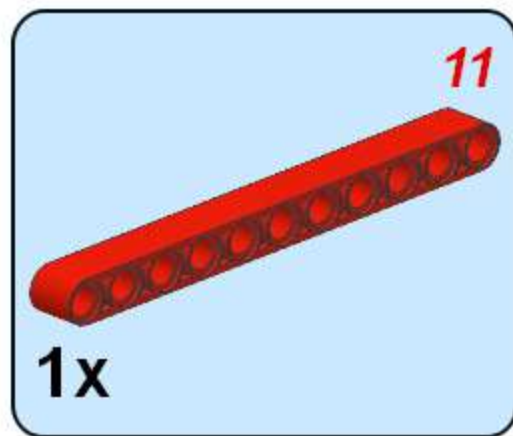
20







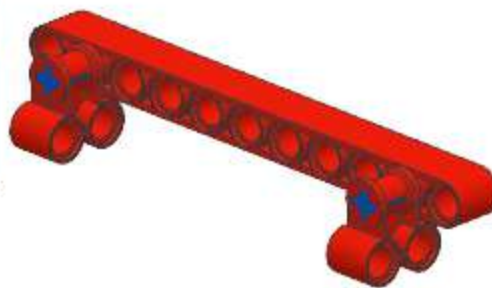
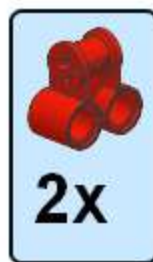
1



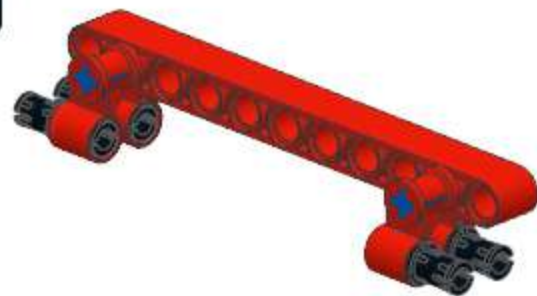
2



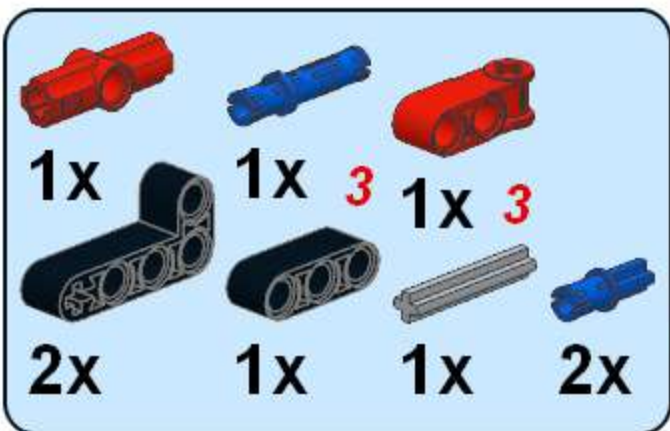
3



4



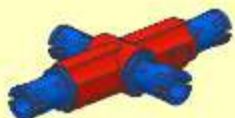
5



1



2



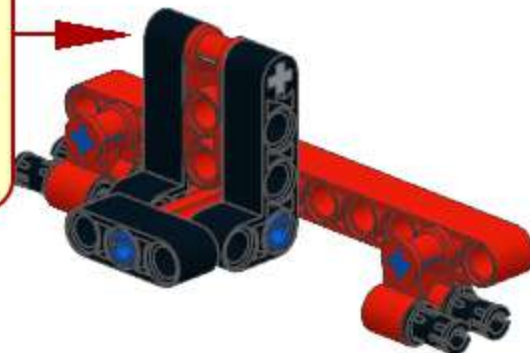
3



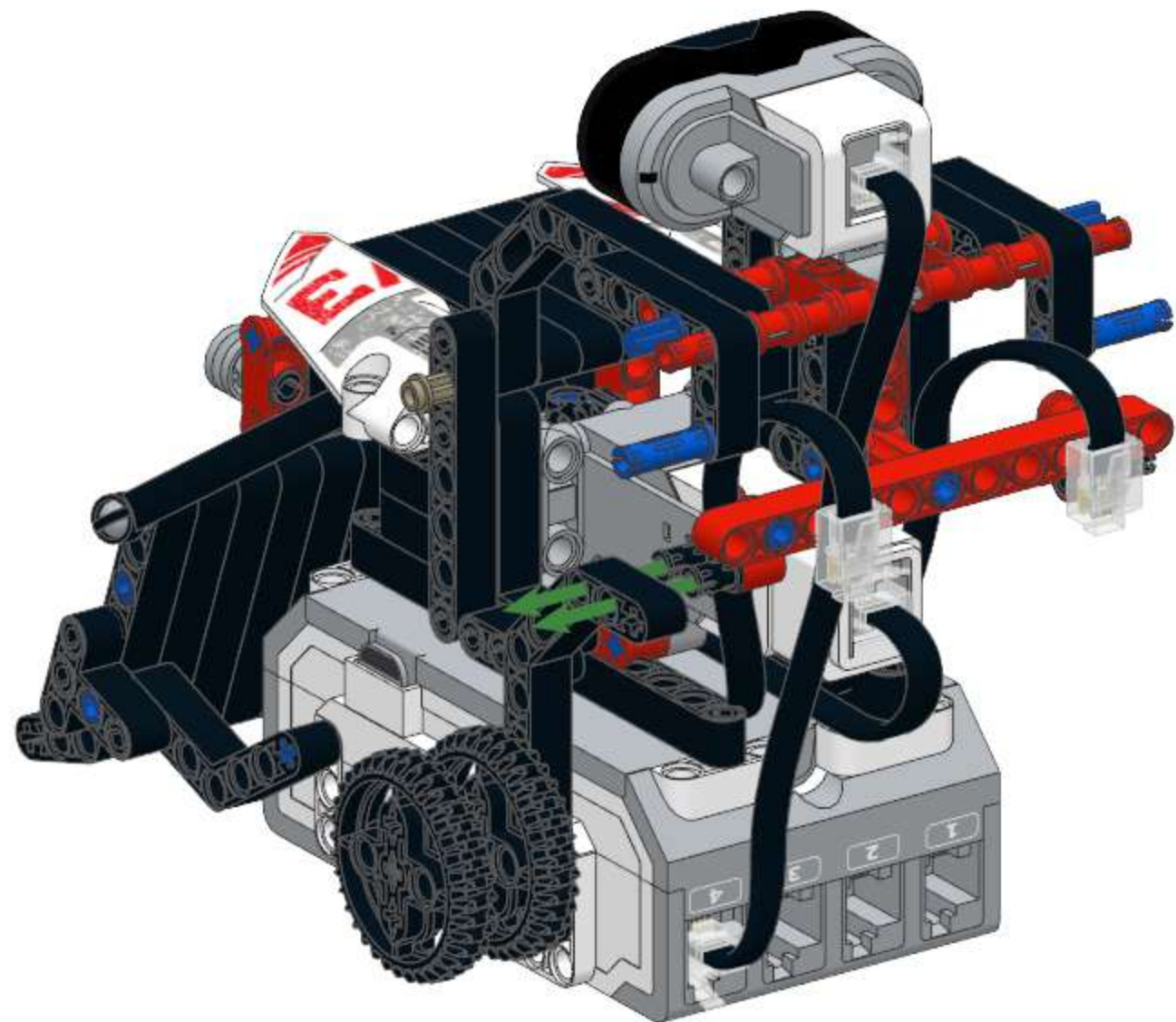
4



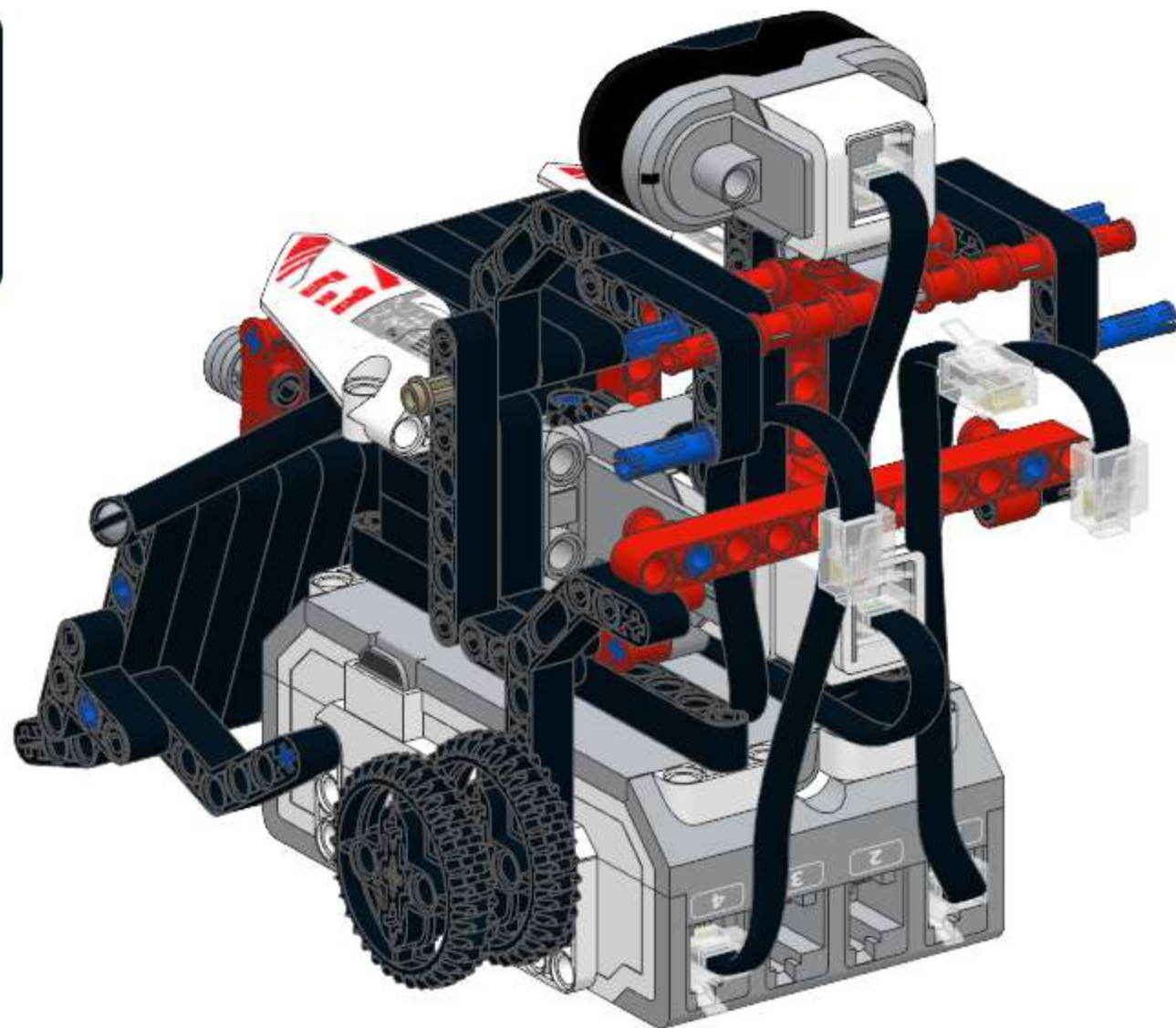
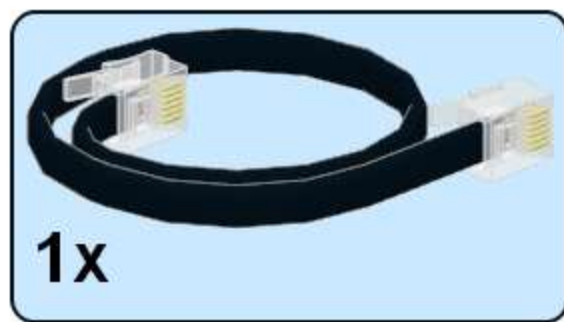
5



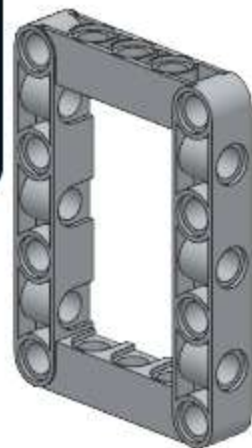
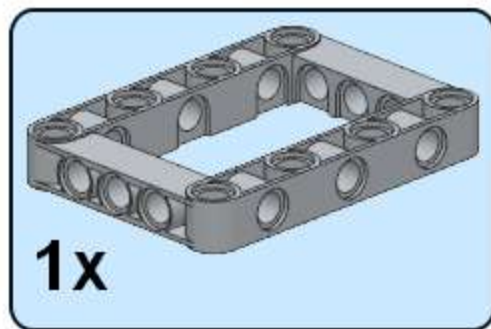
22



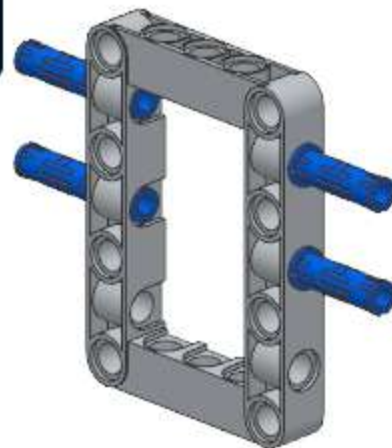
23



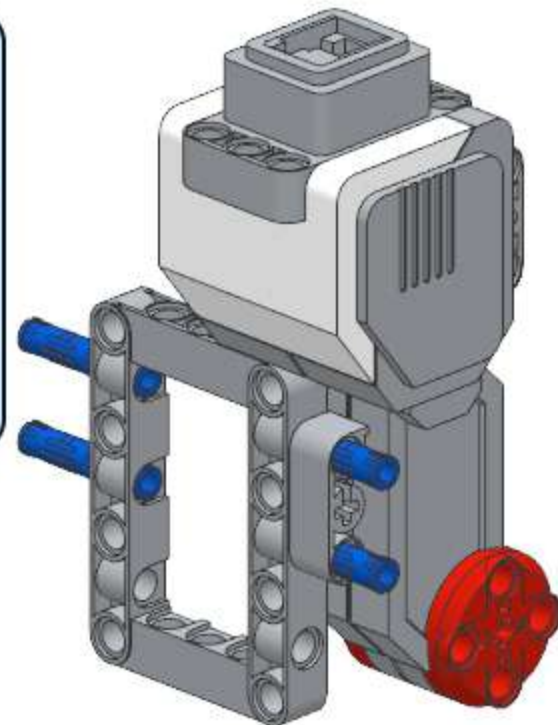
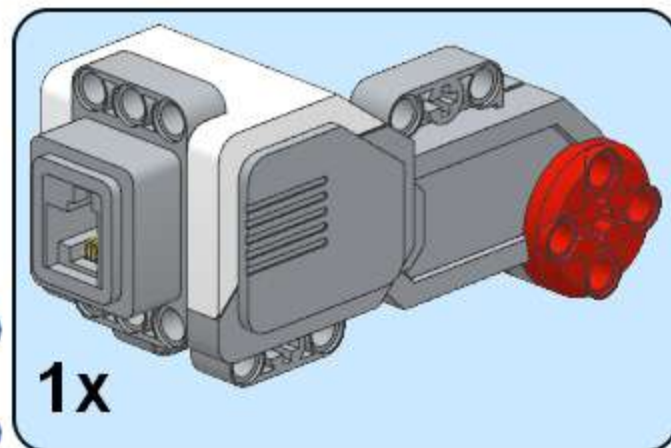
1



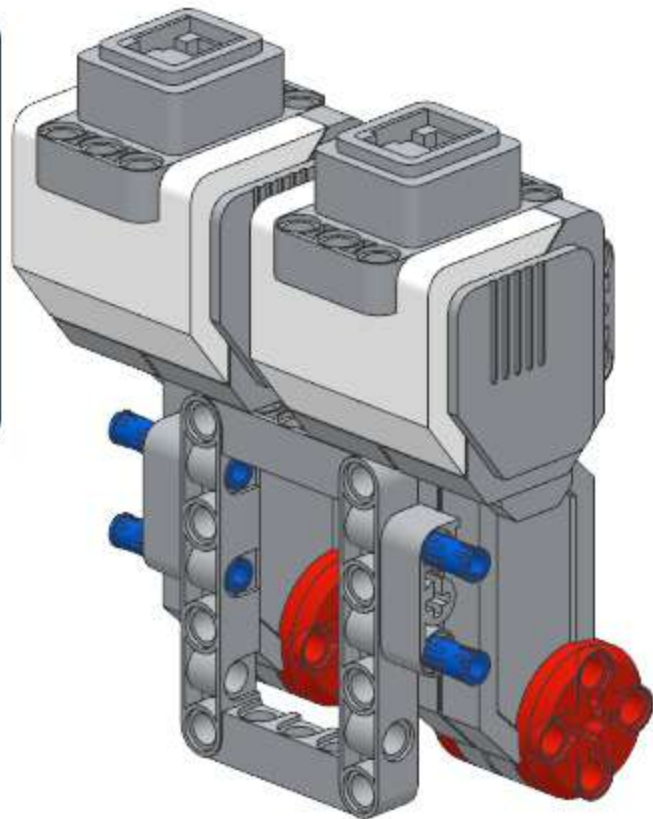
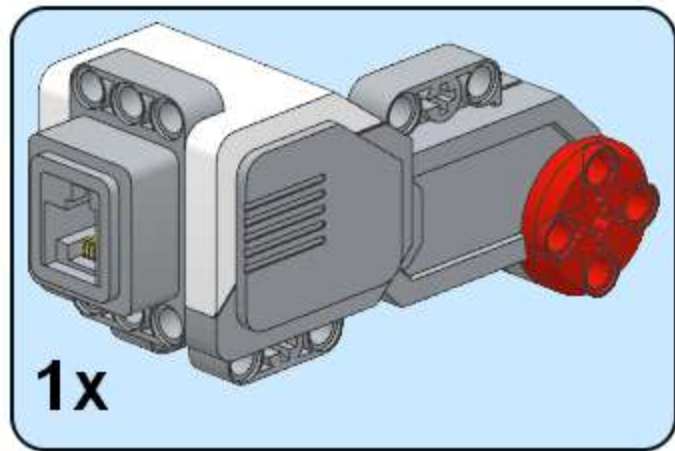
2



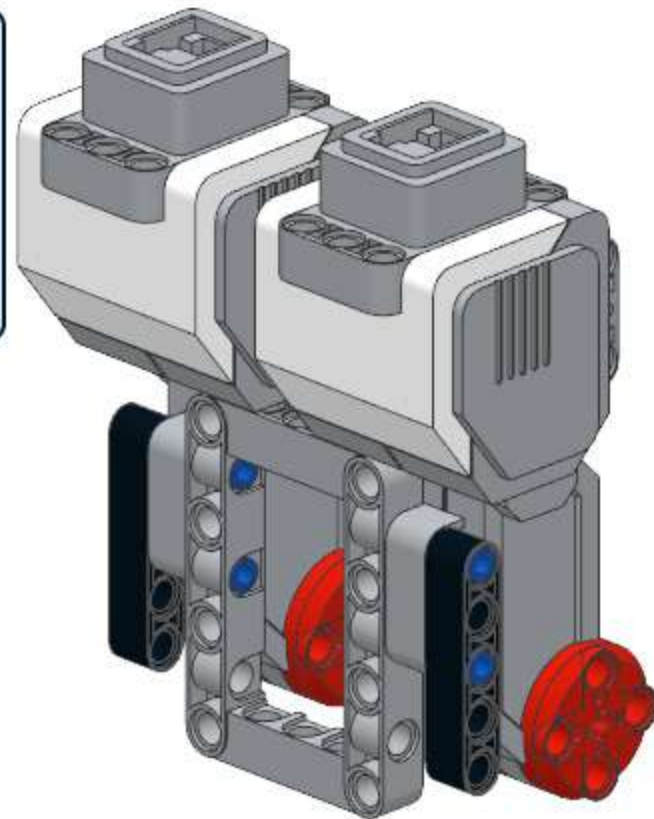
3



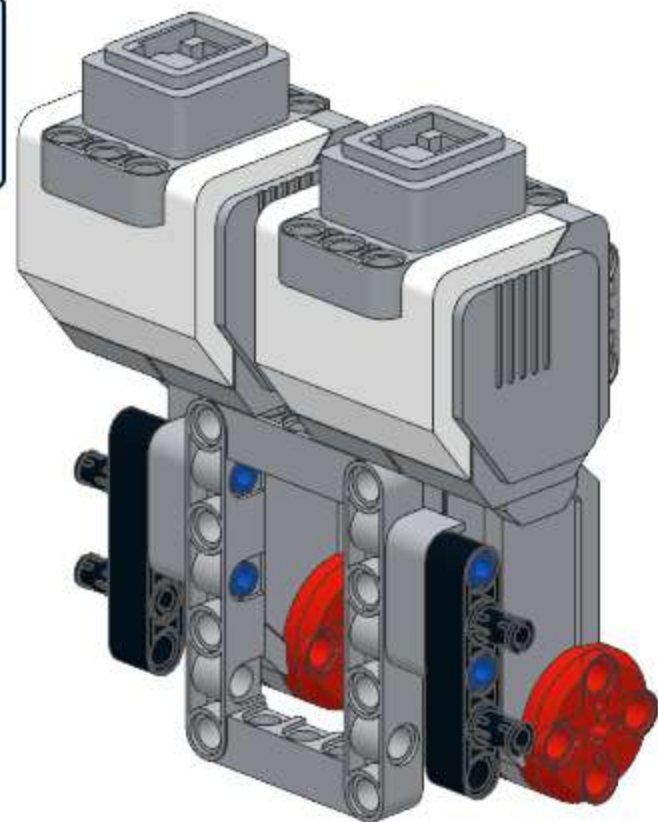
4



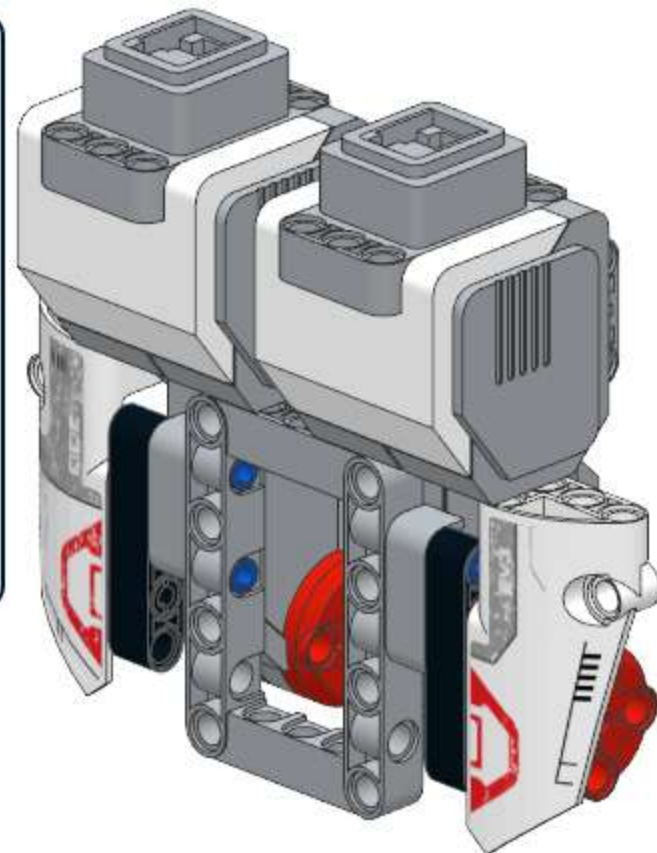
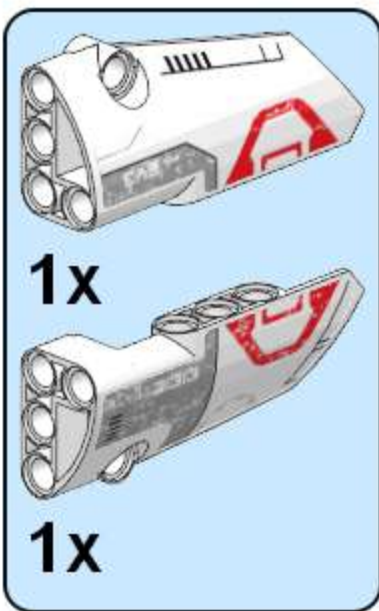
5



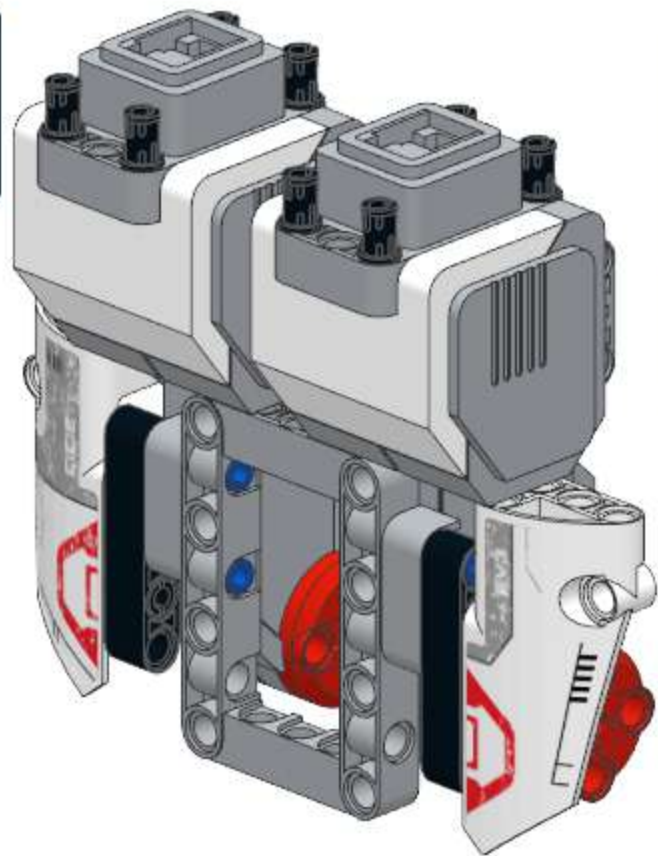
6



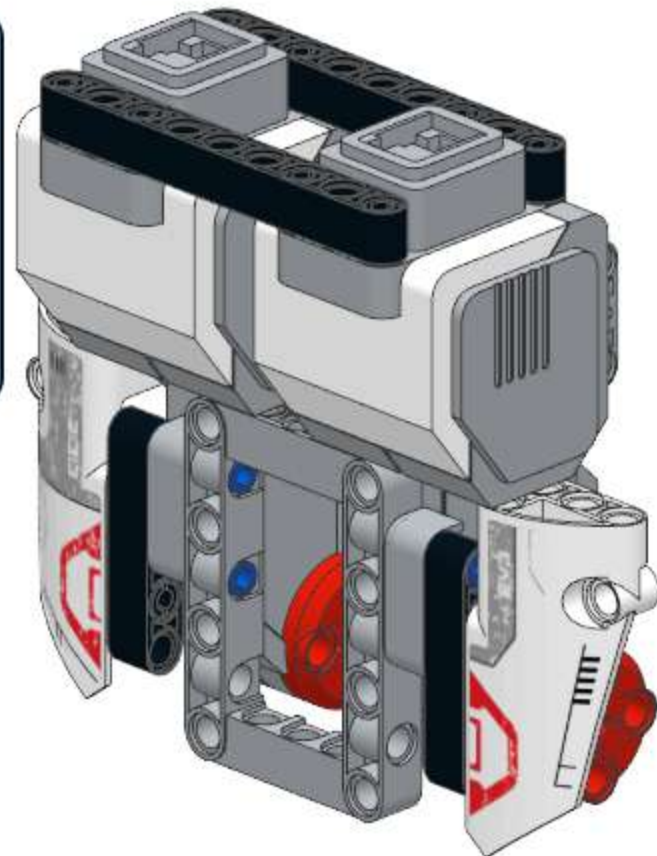
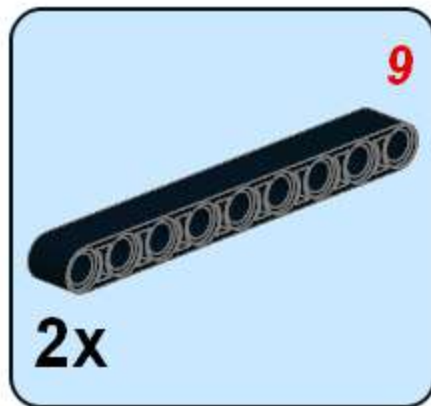
7



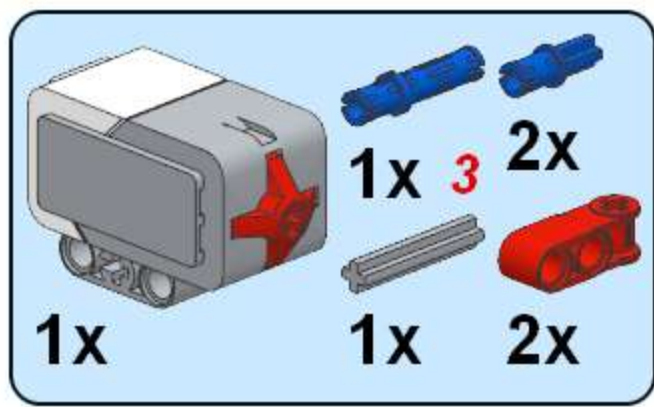
8

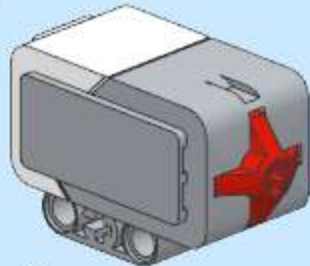






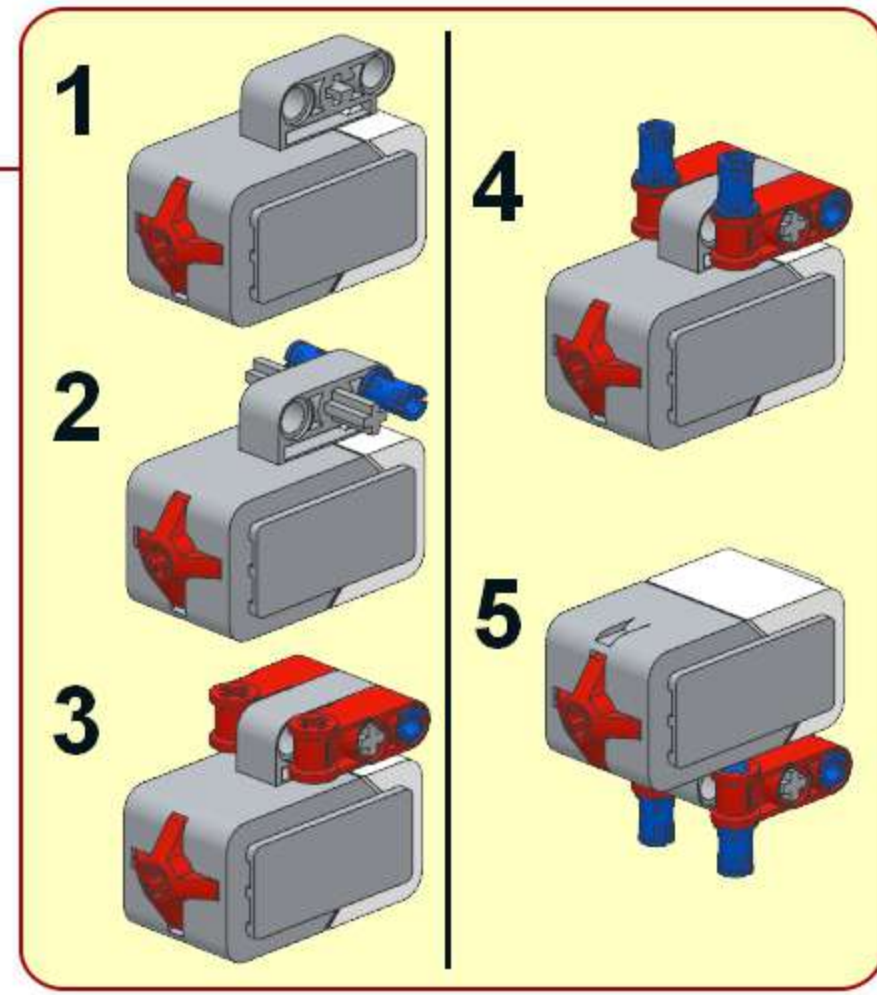
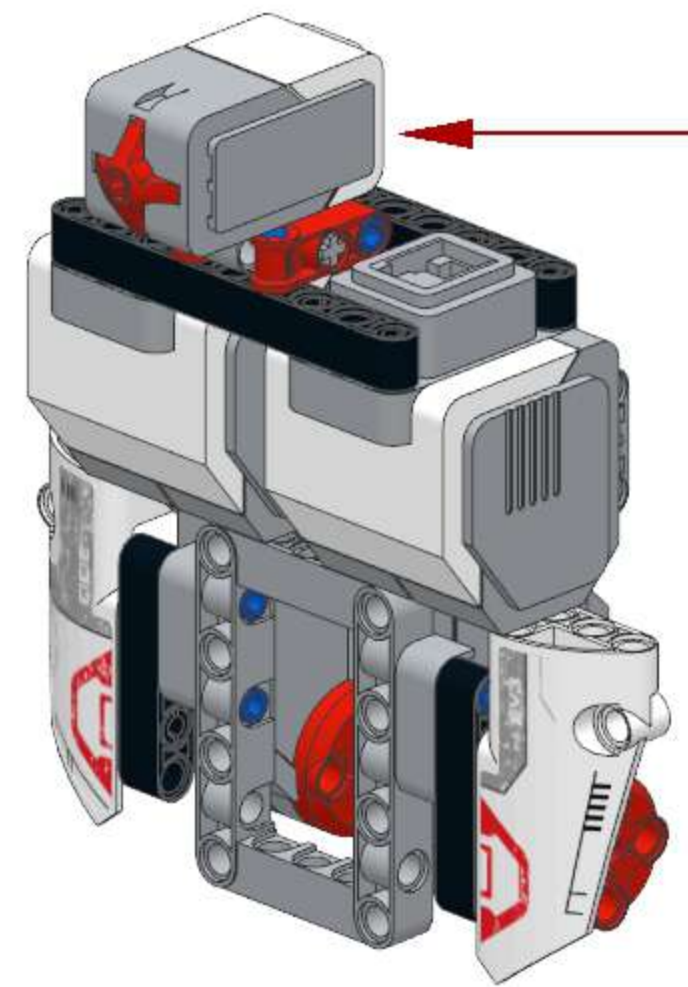
9

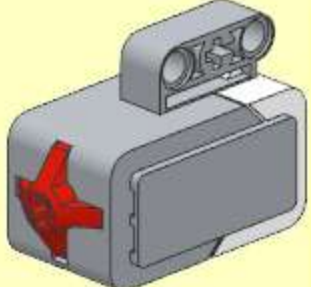
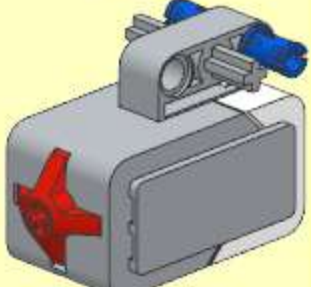
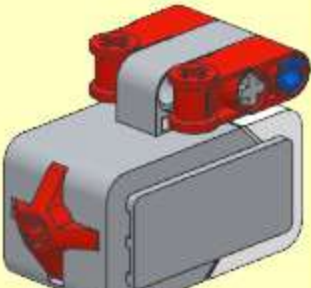
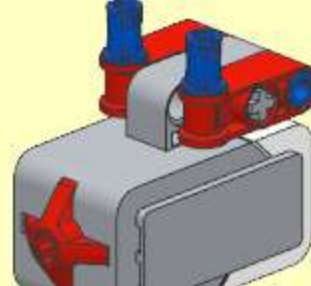
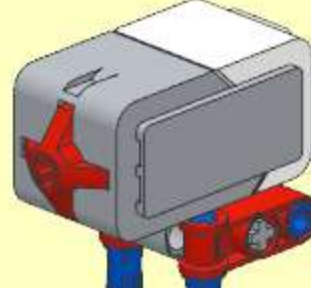


10

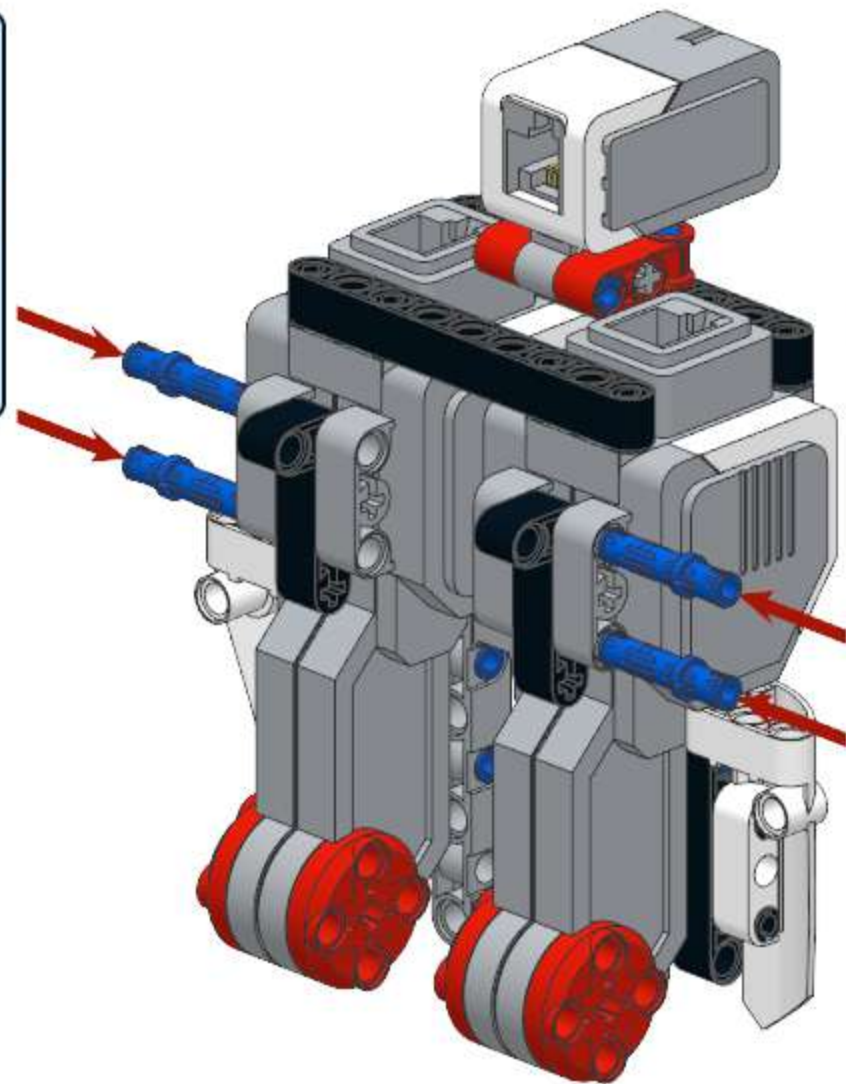


1x  1x  2x 
1x  2x 

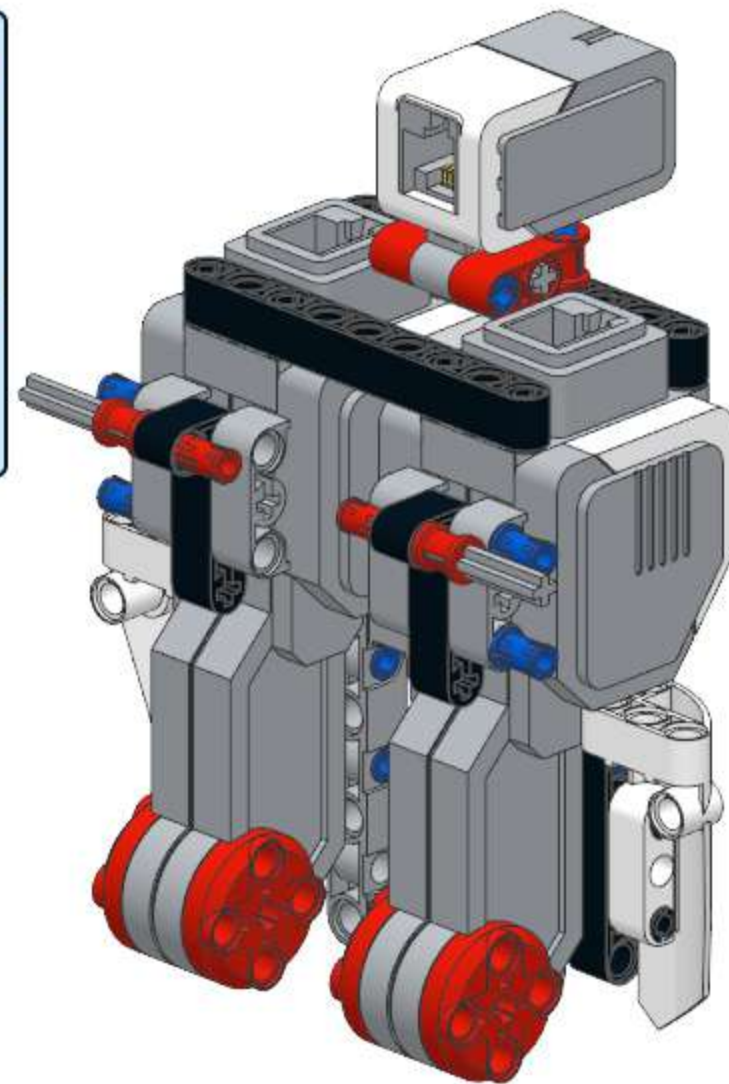
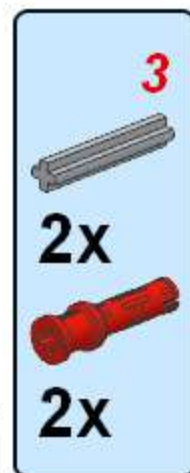


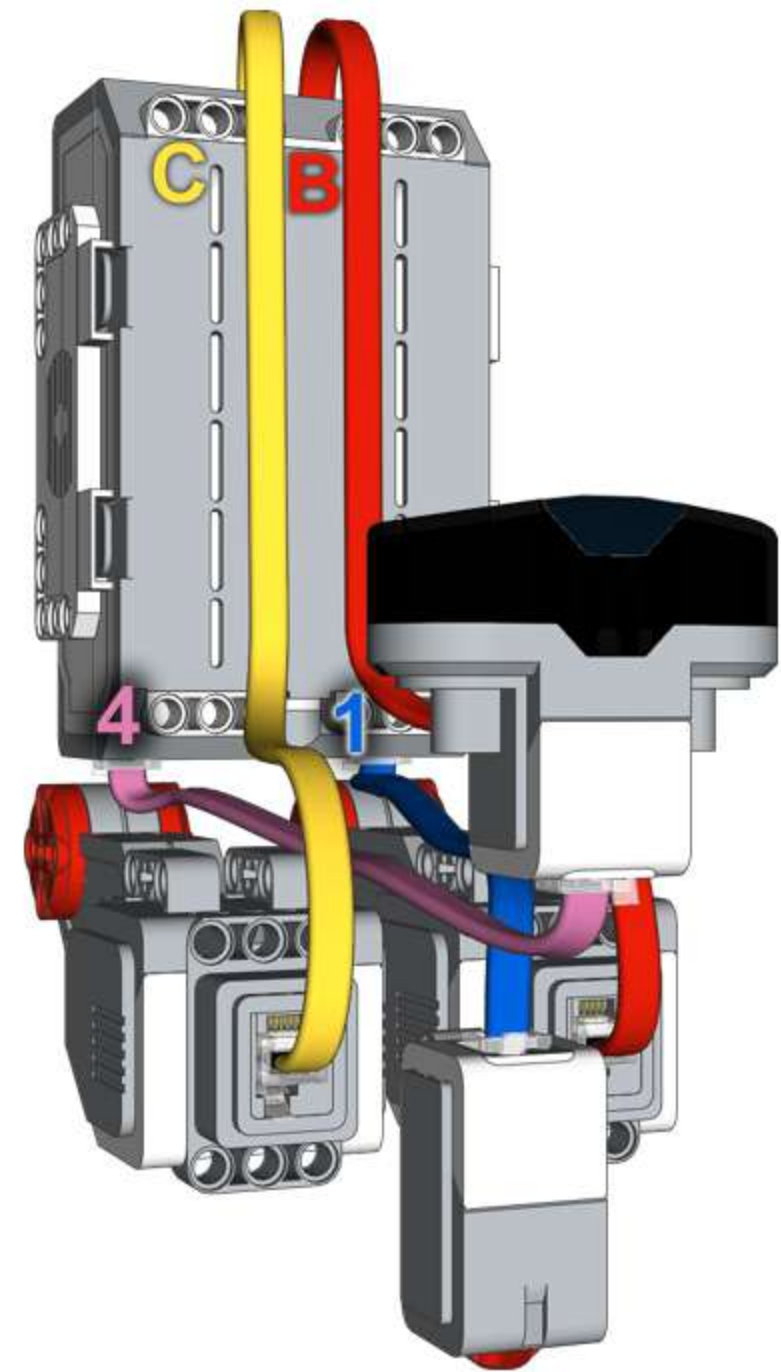
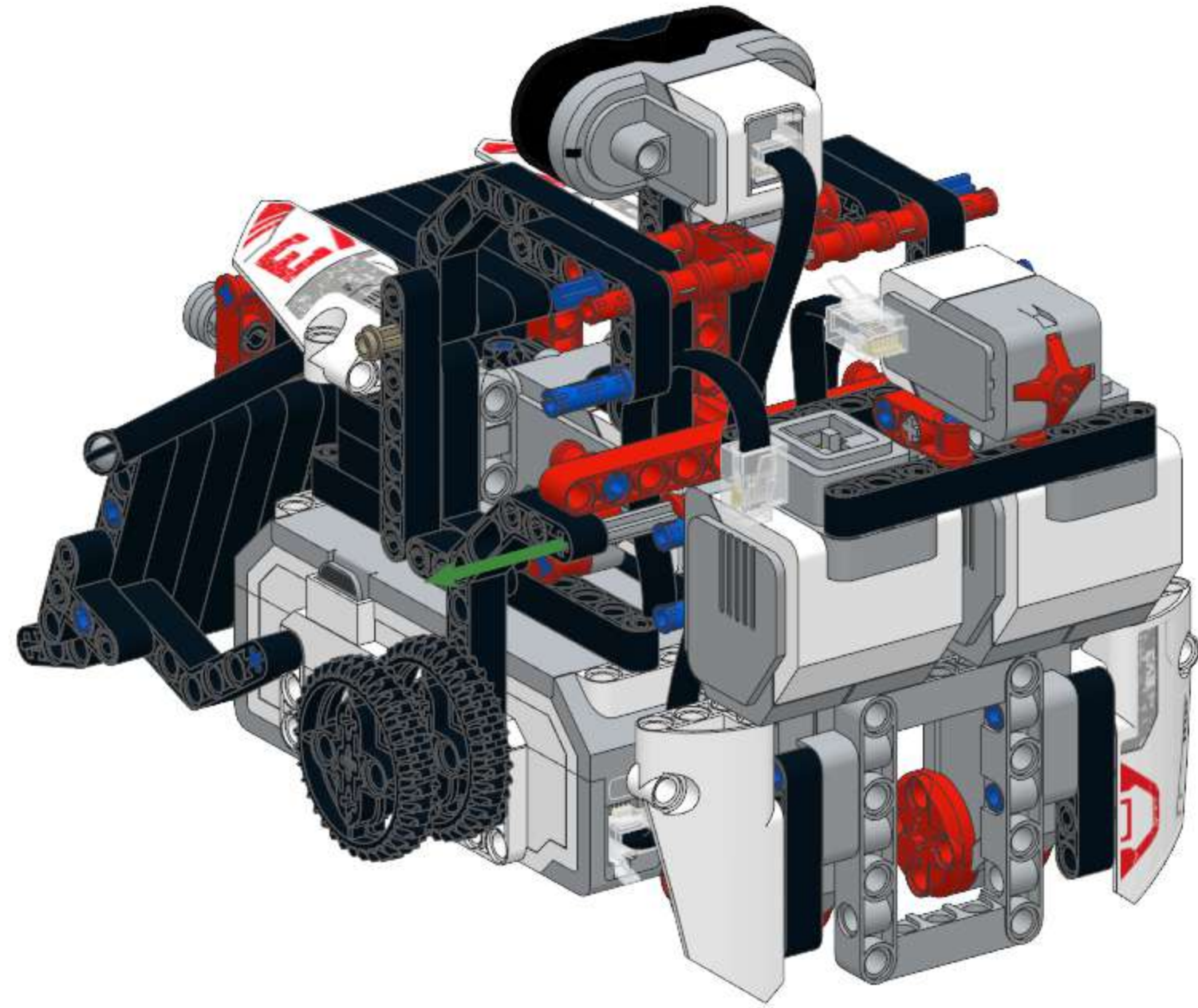
1 
2 
3 
4 
5 

11

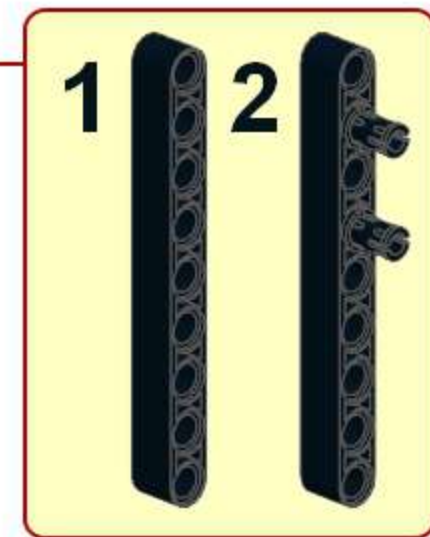
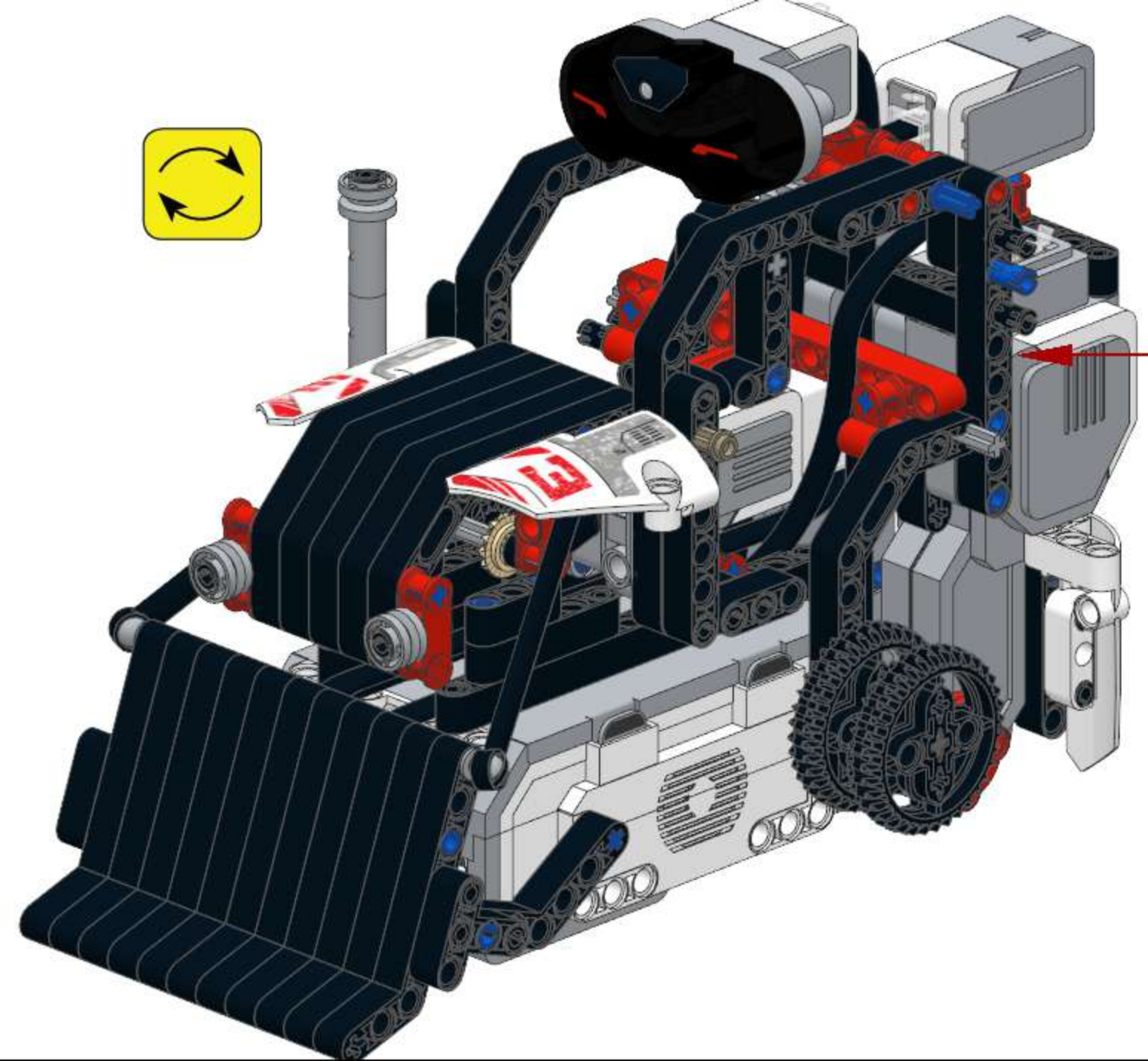


12

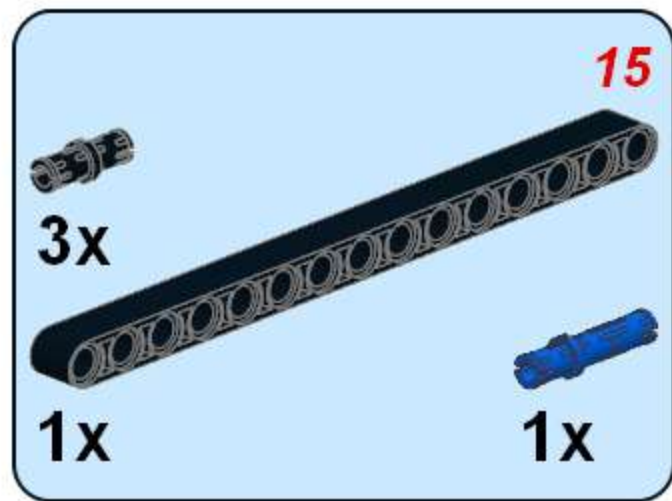




25



1



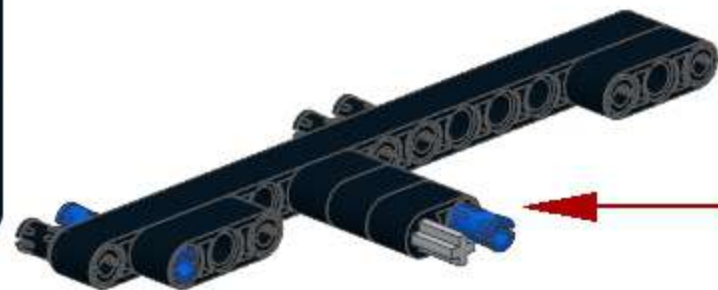
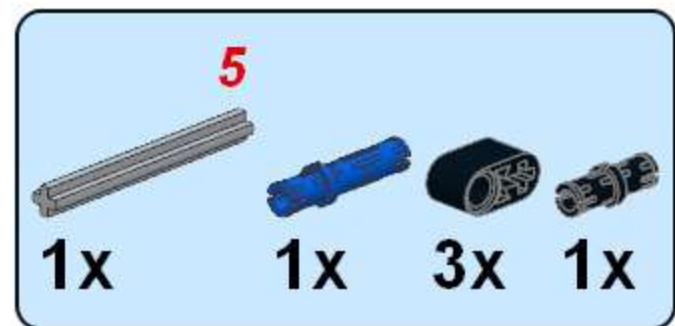
2



3



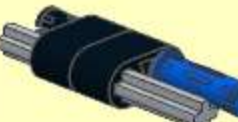
4



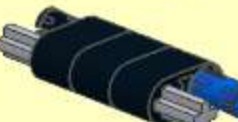
1



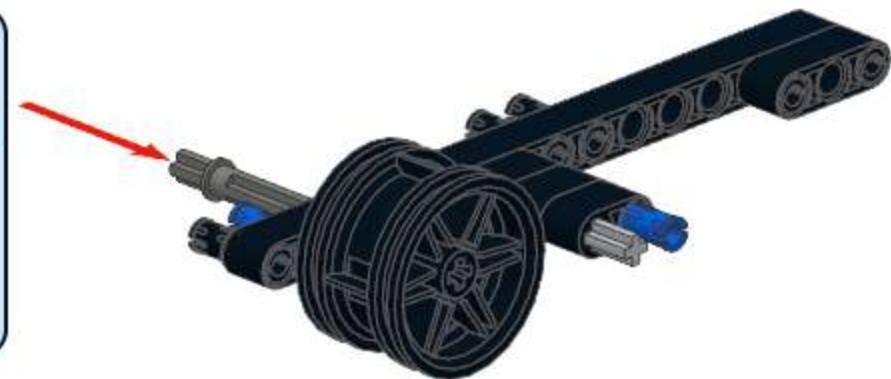
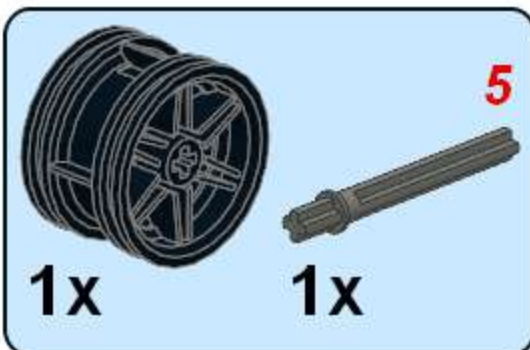
2



3



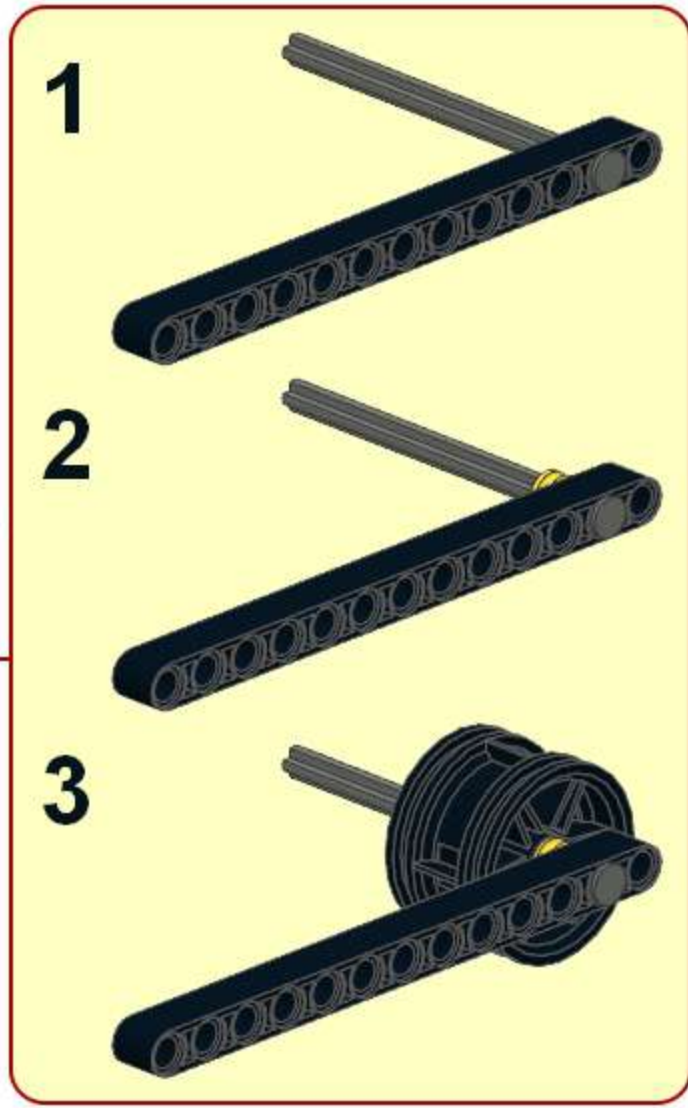
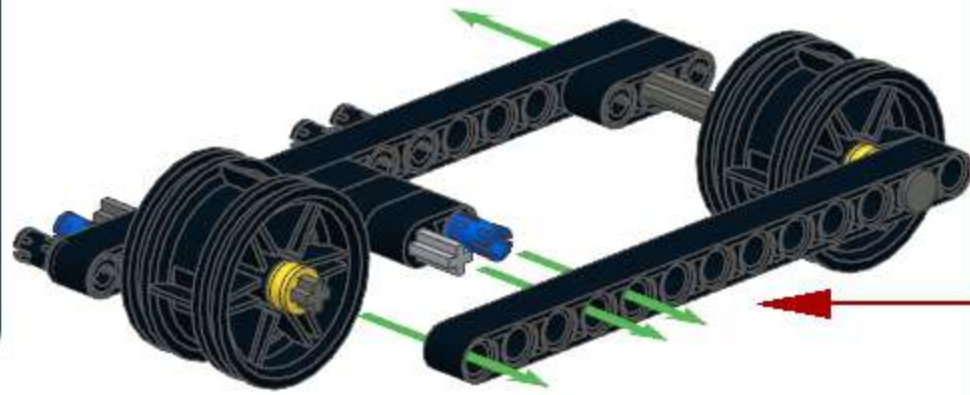
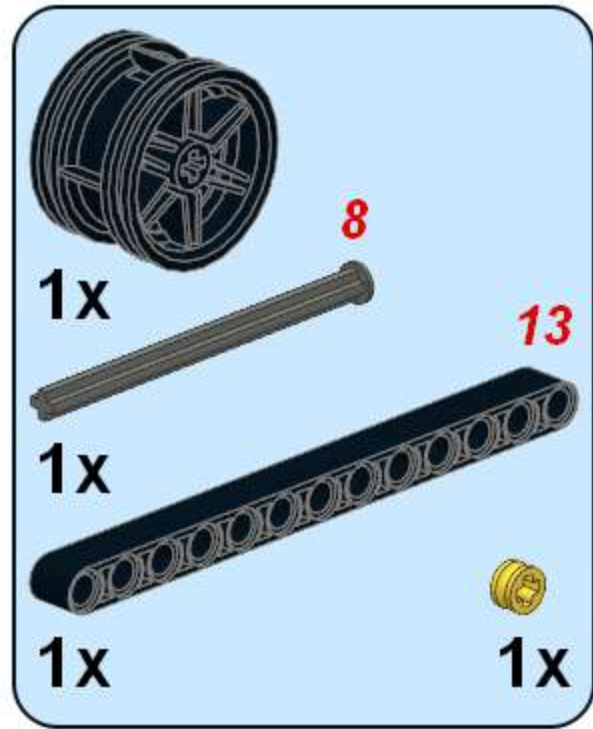
5



6

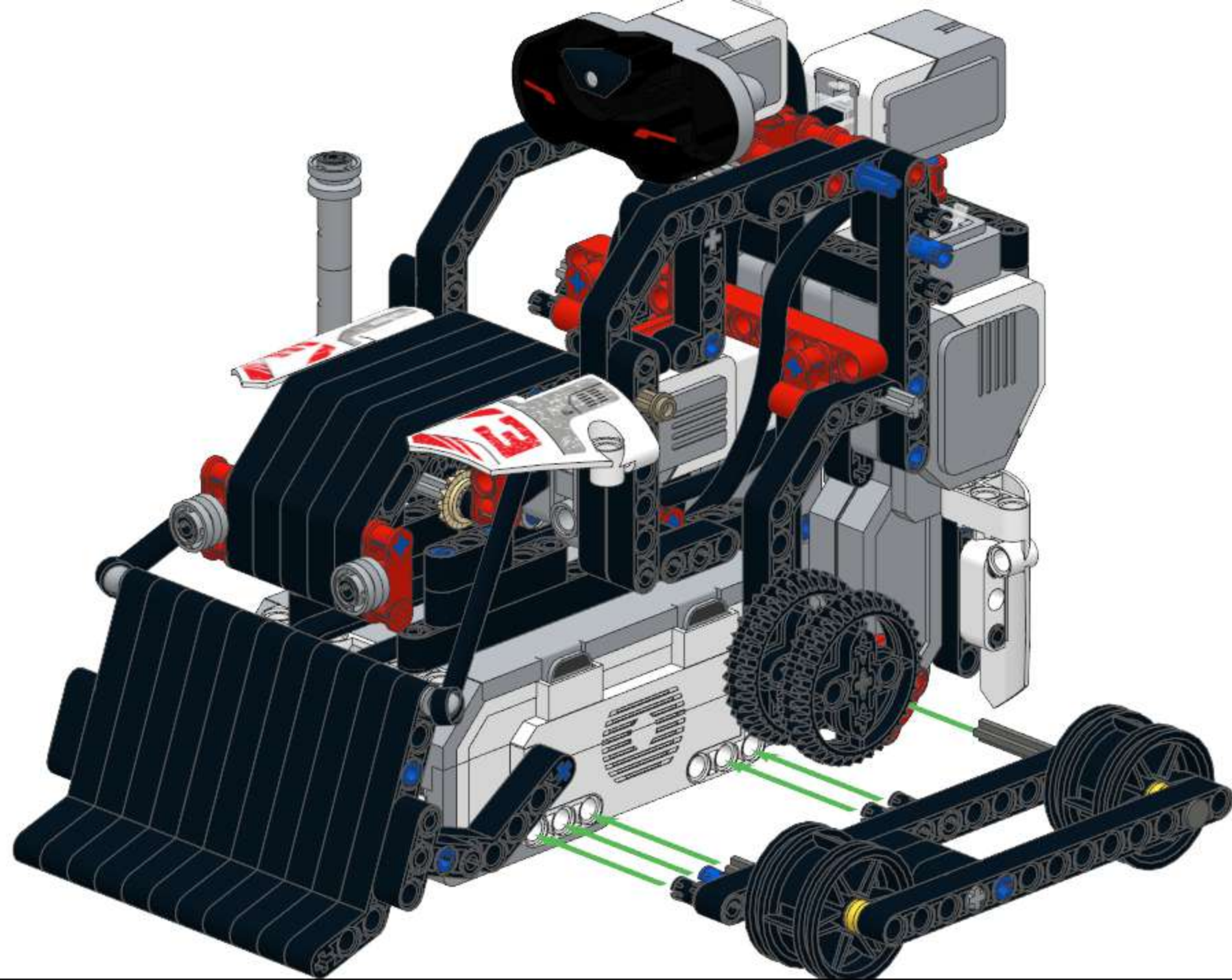


7

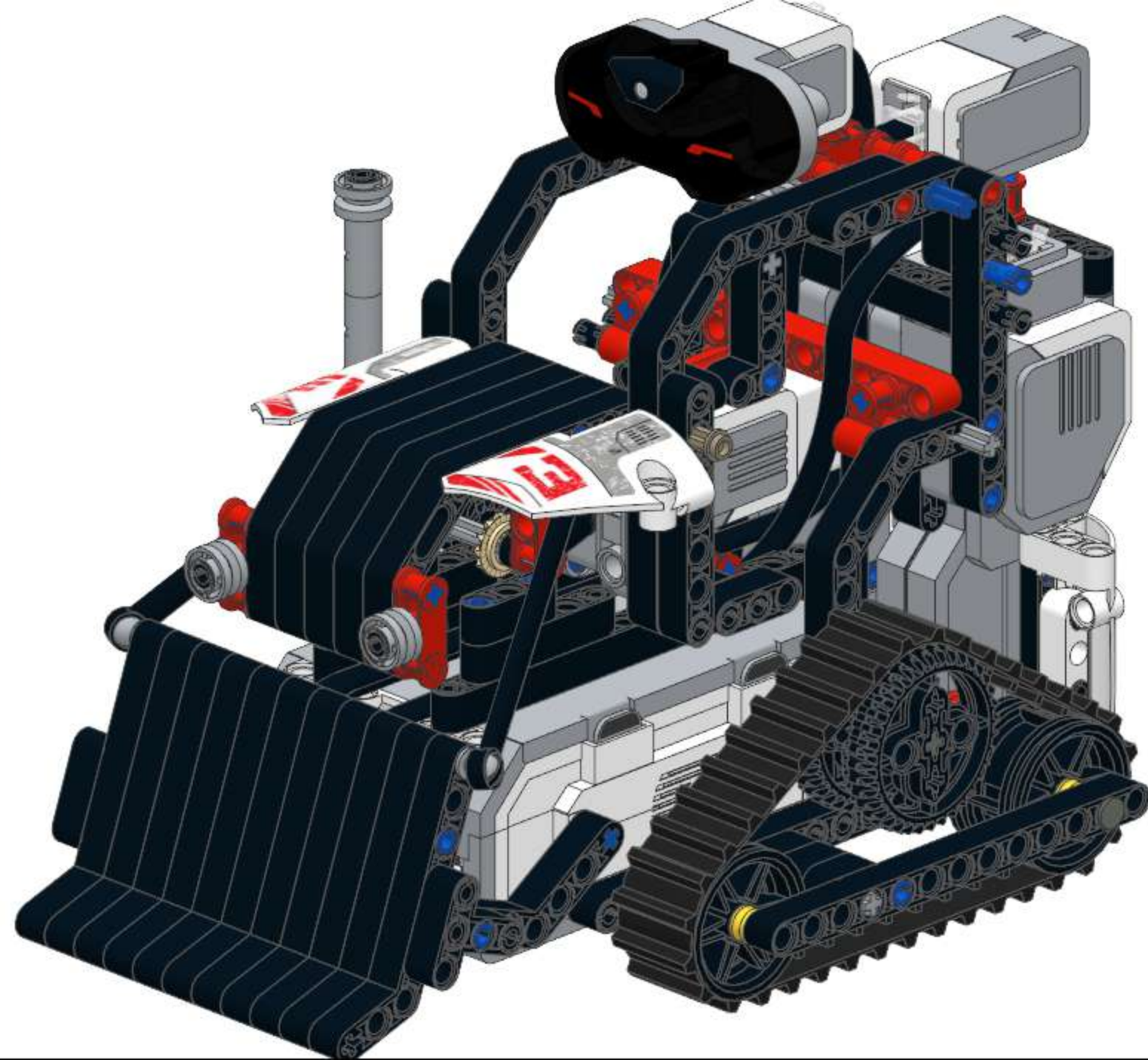
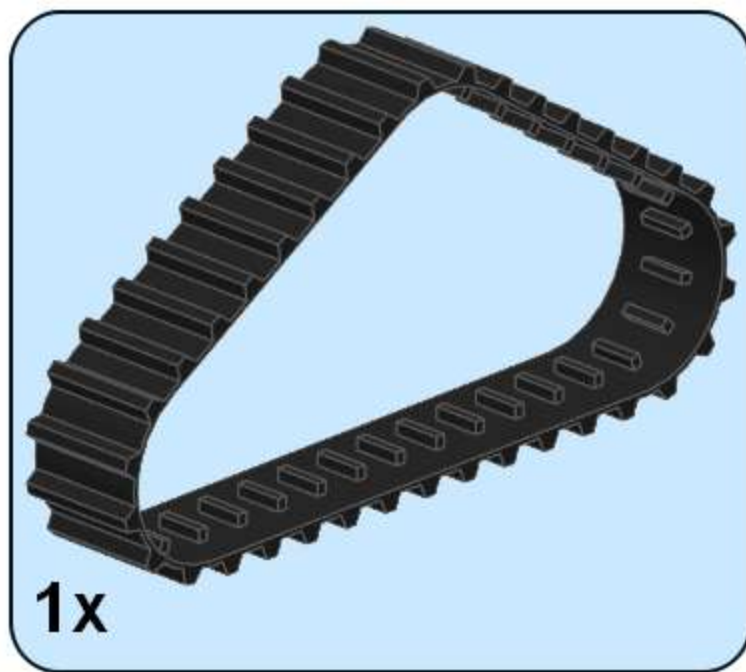


8

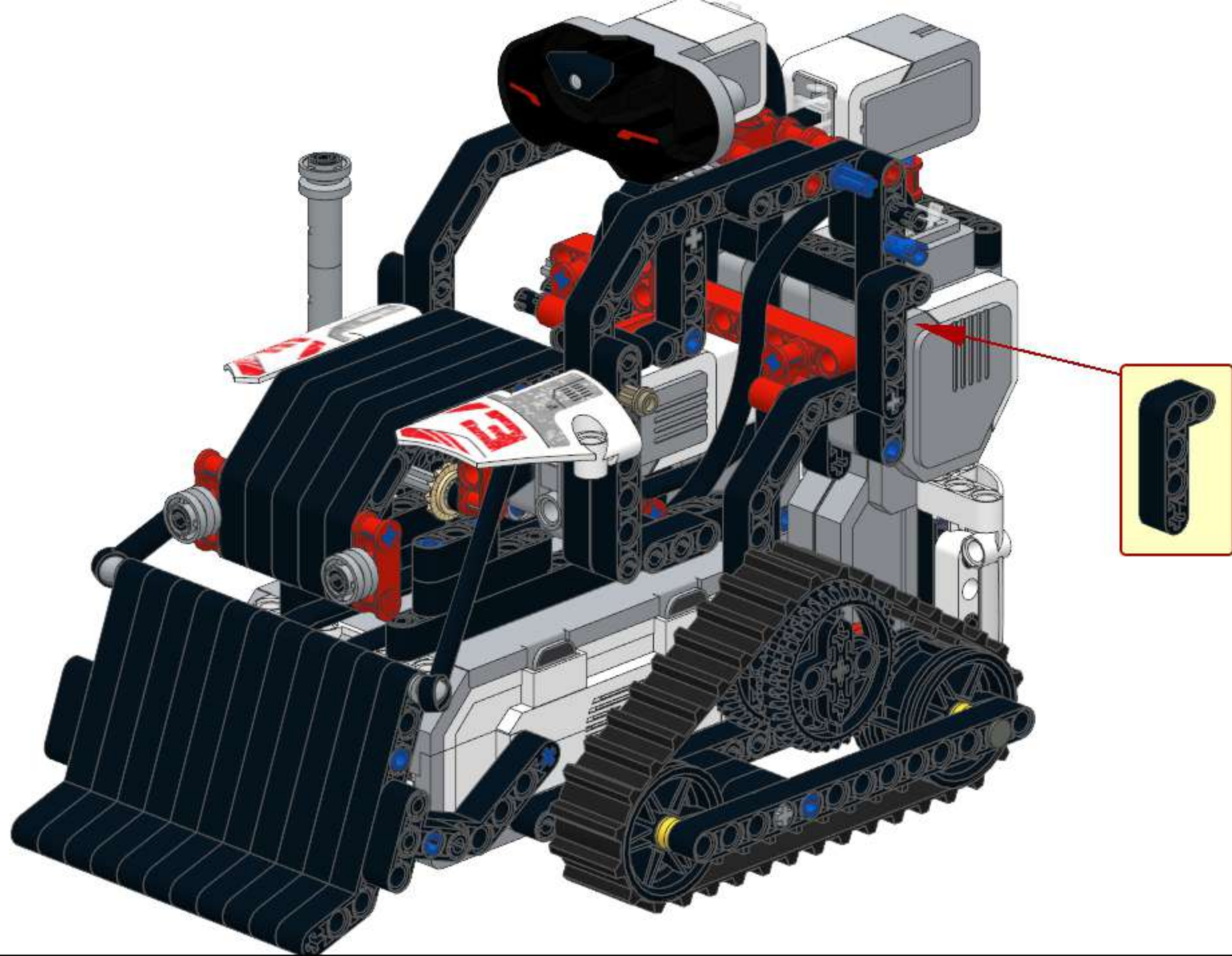




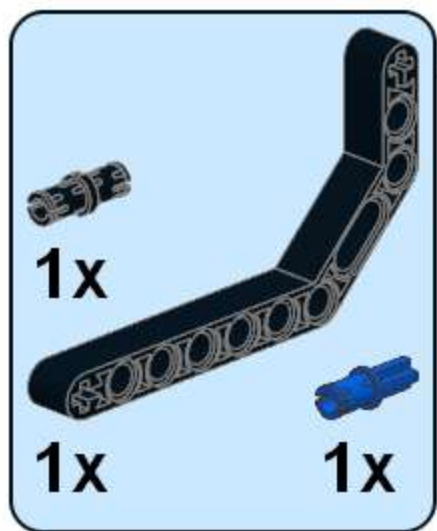
27



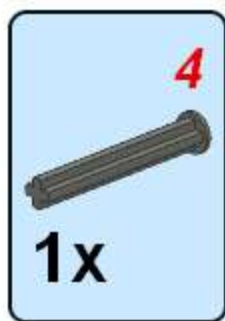
28



1



2



3

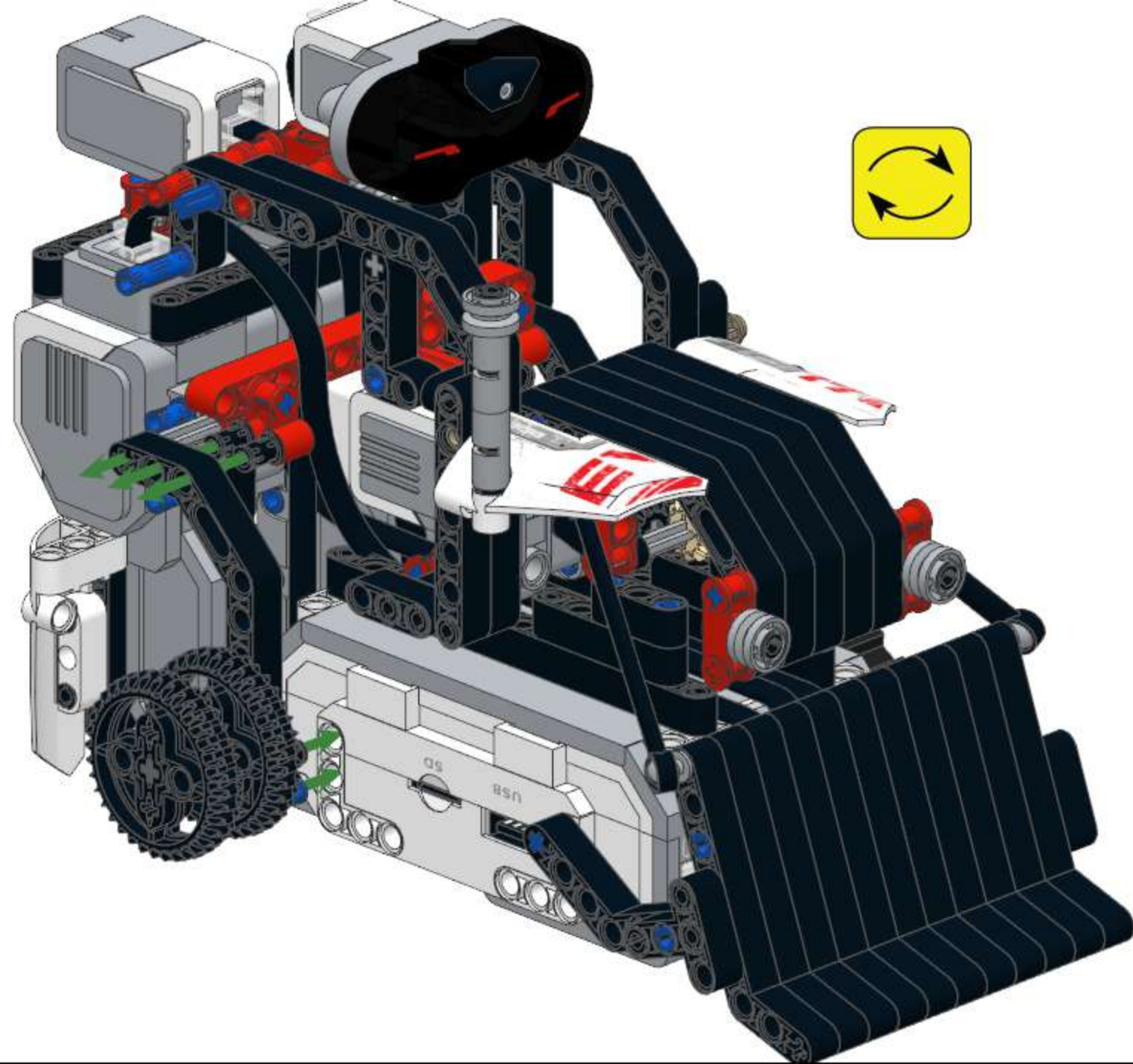


4

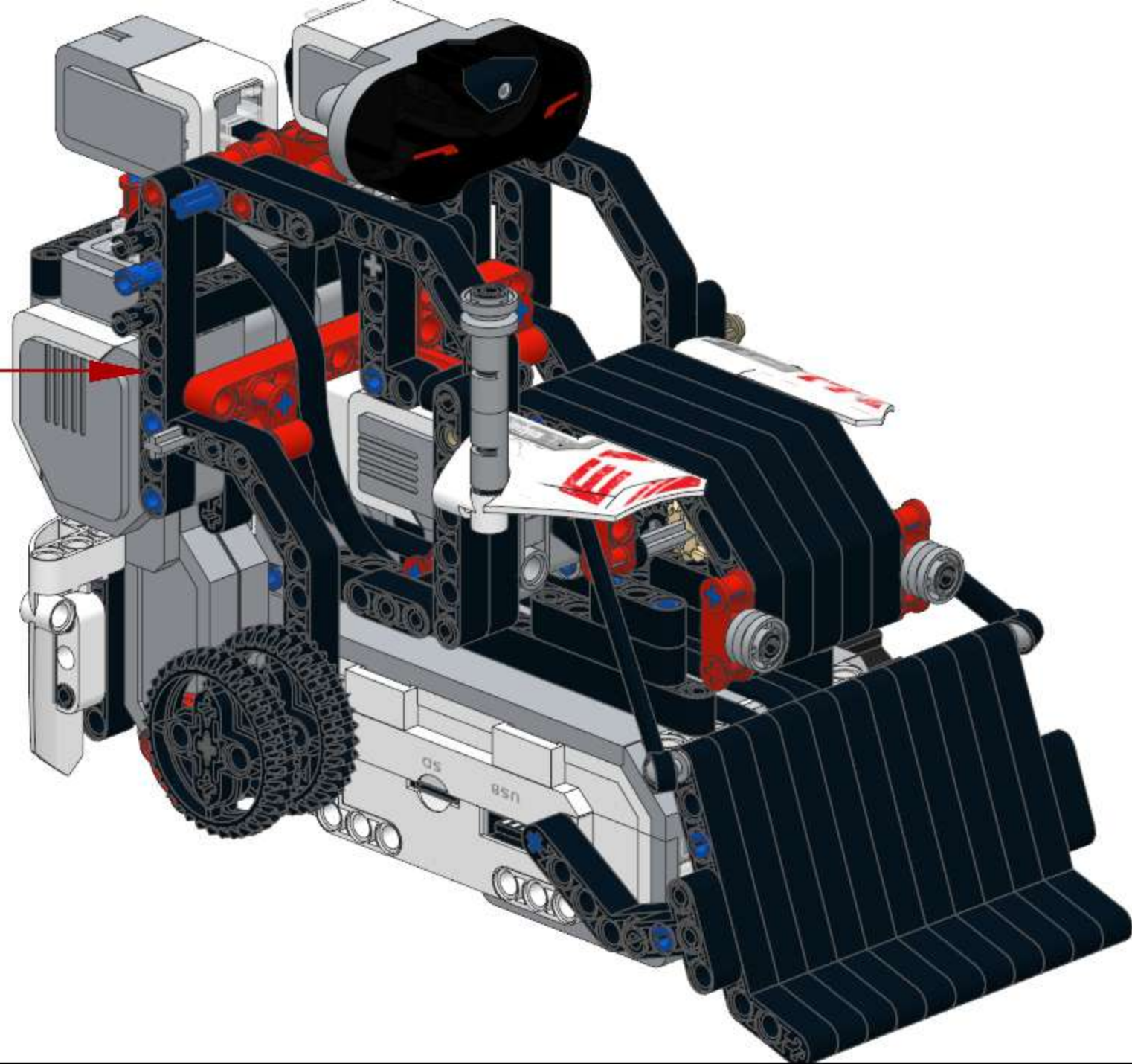
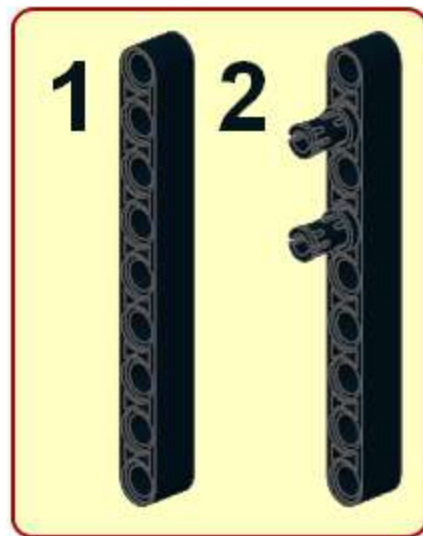


5

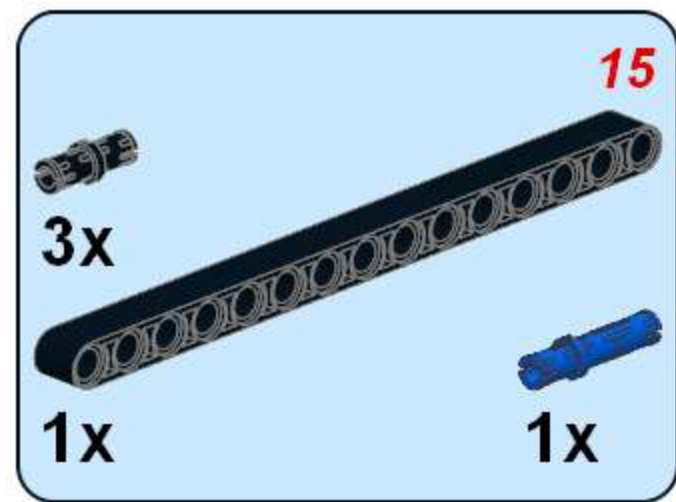




30



1



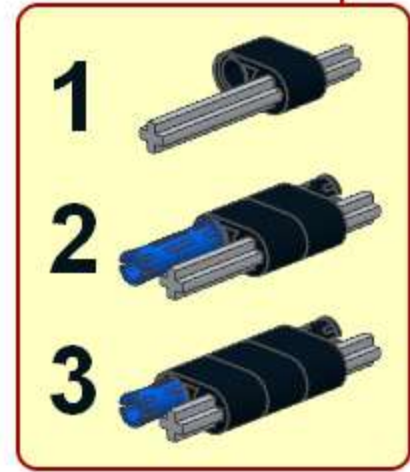
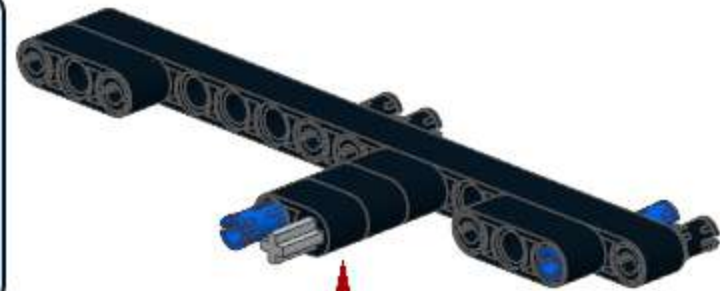
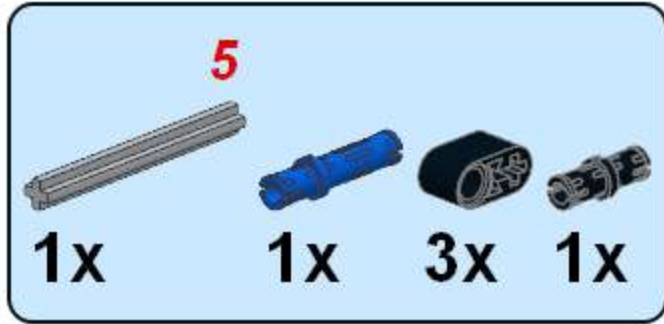
2



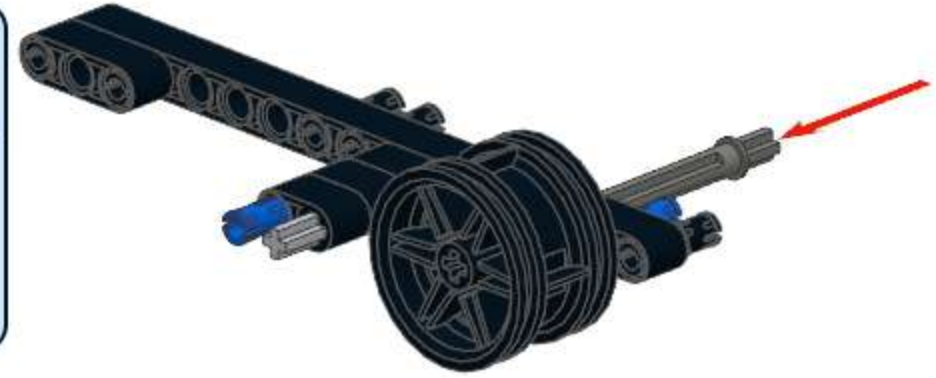
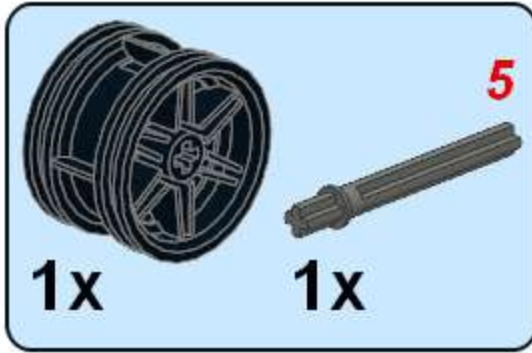
3



4



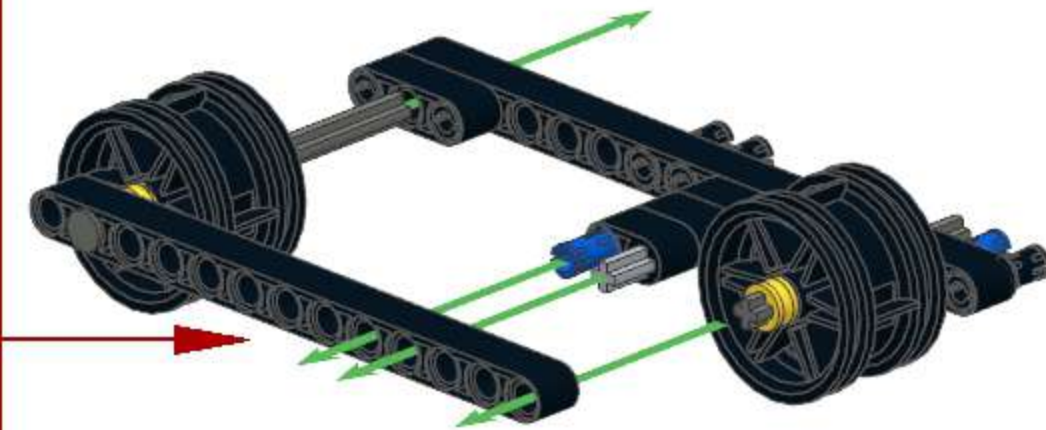
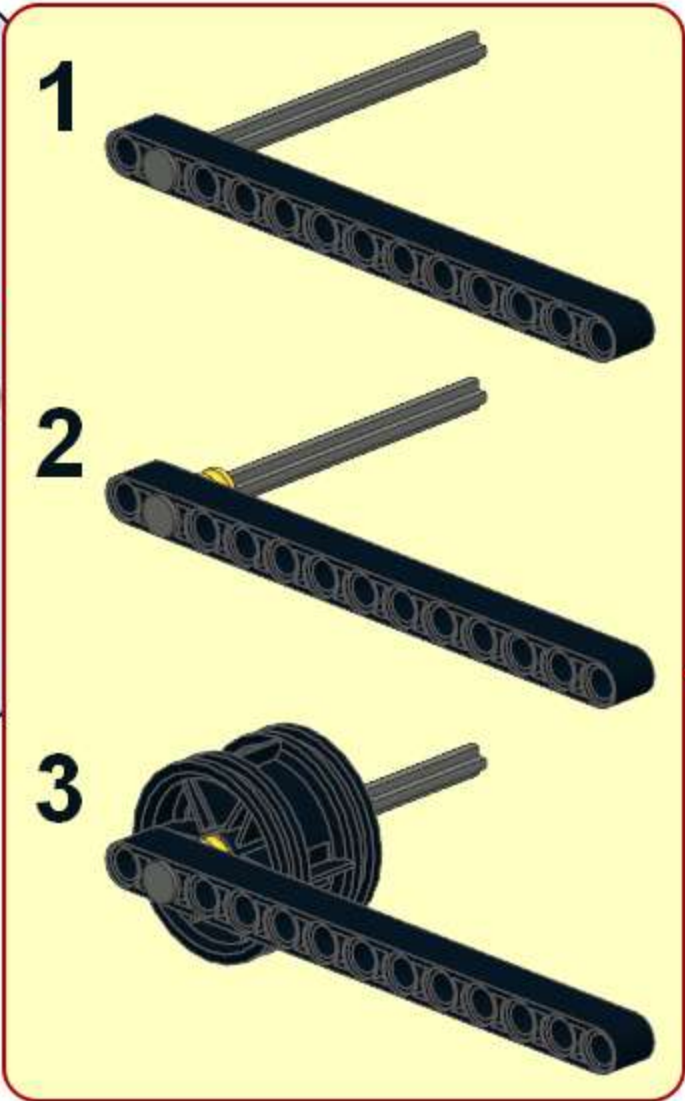
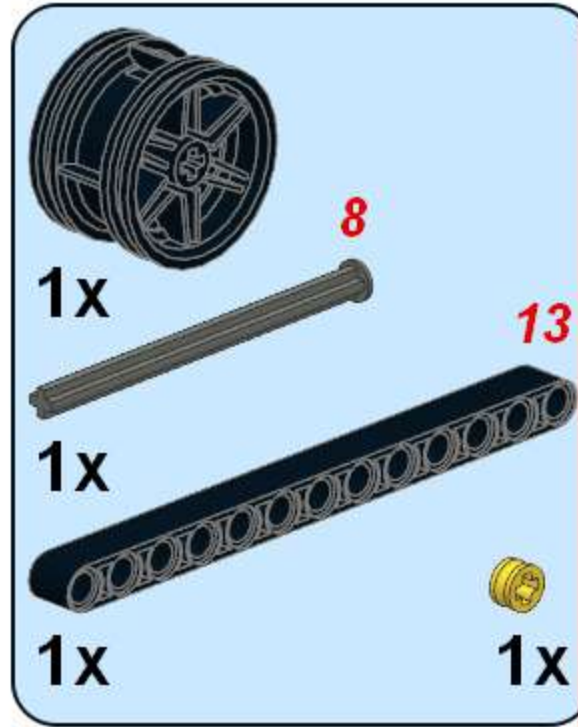
5



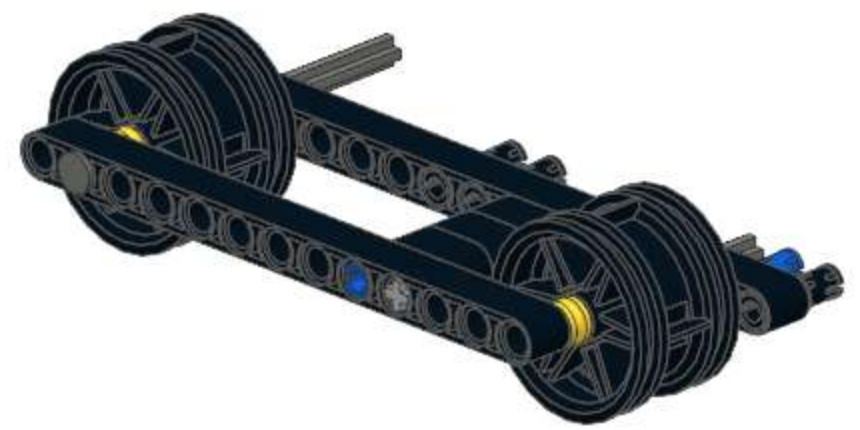
6

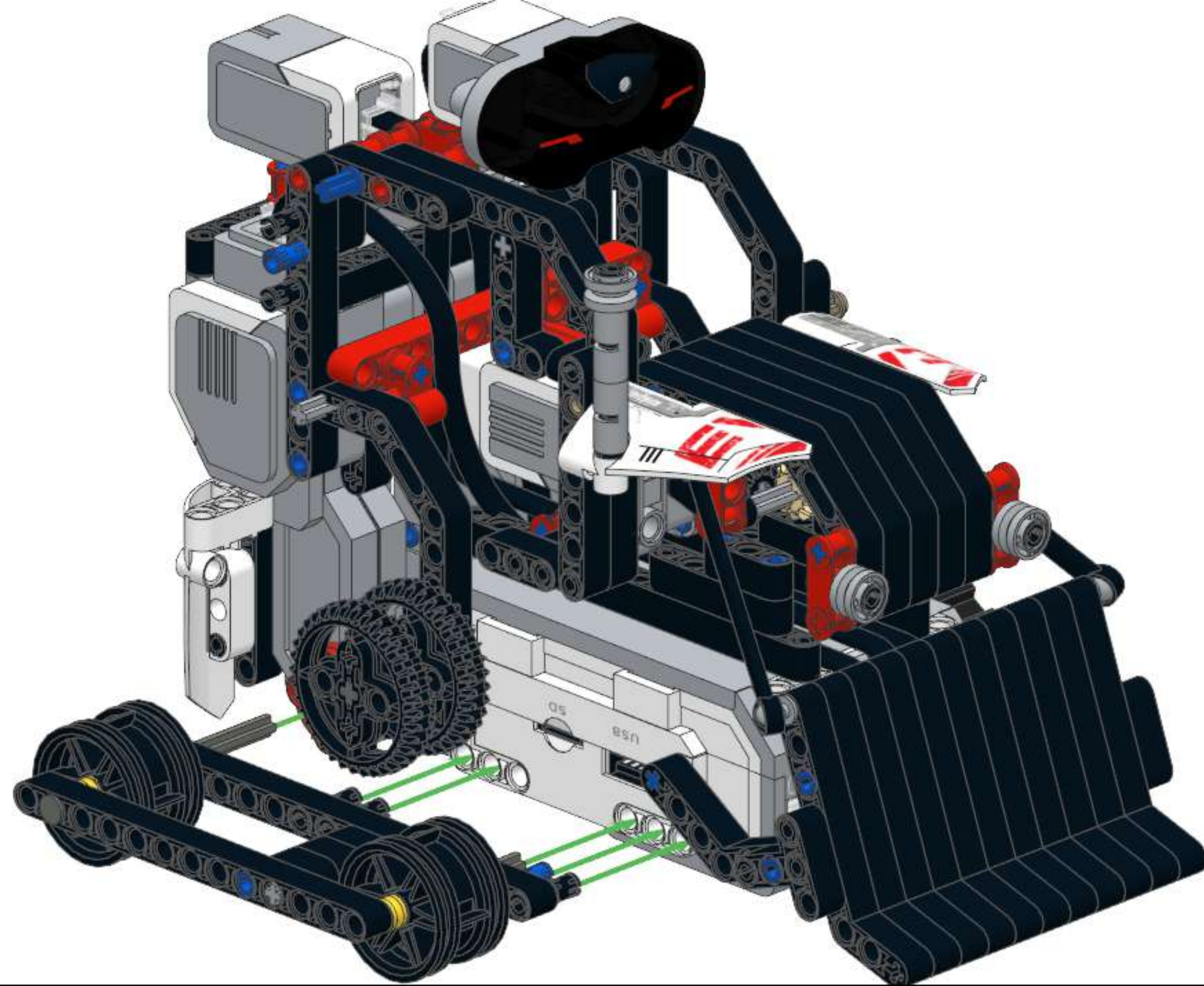


7

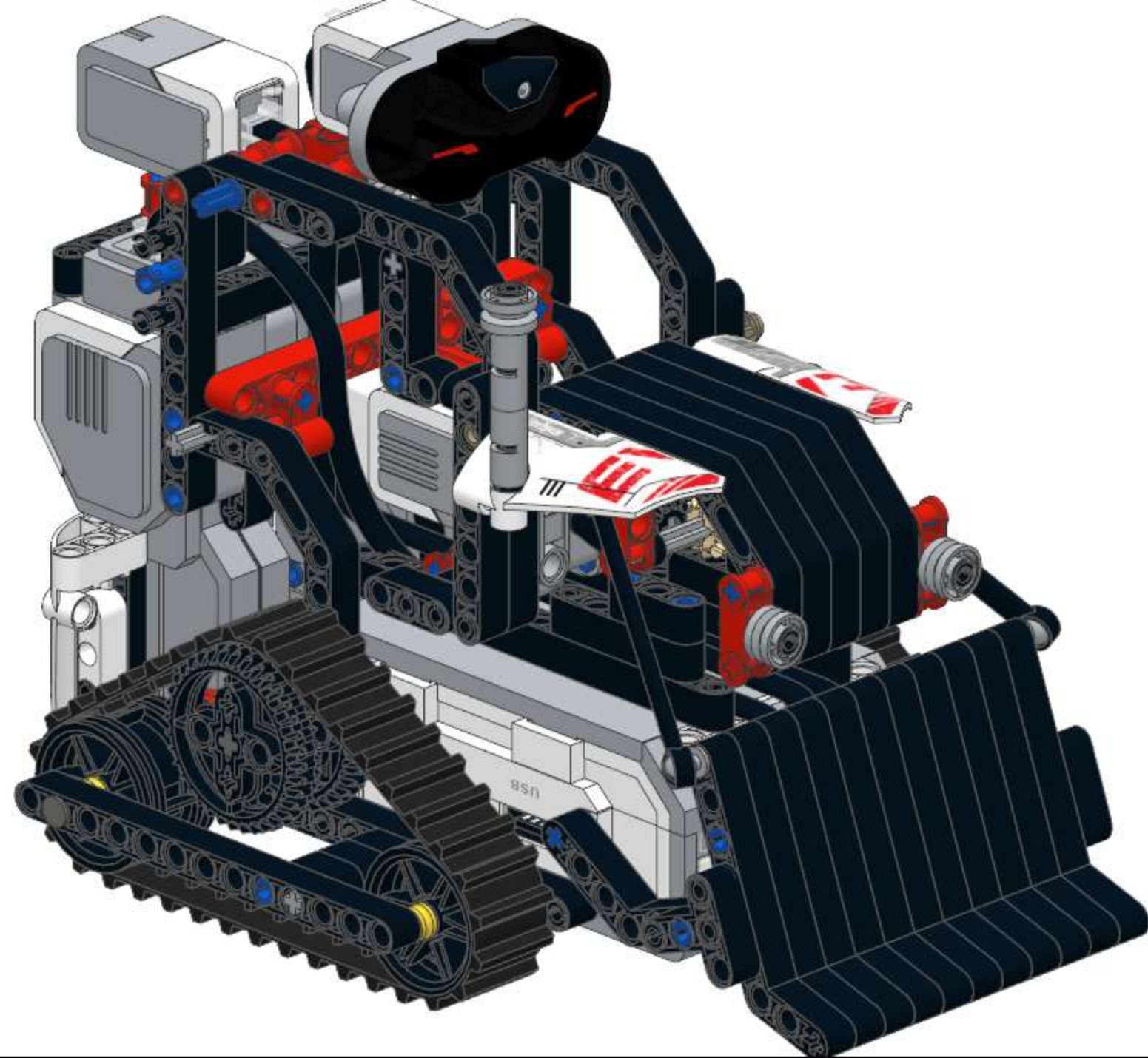
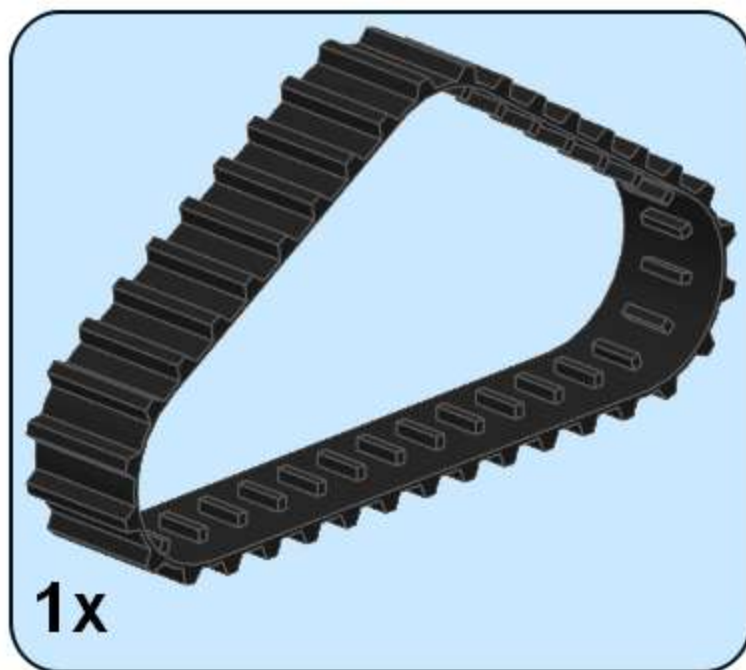


8

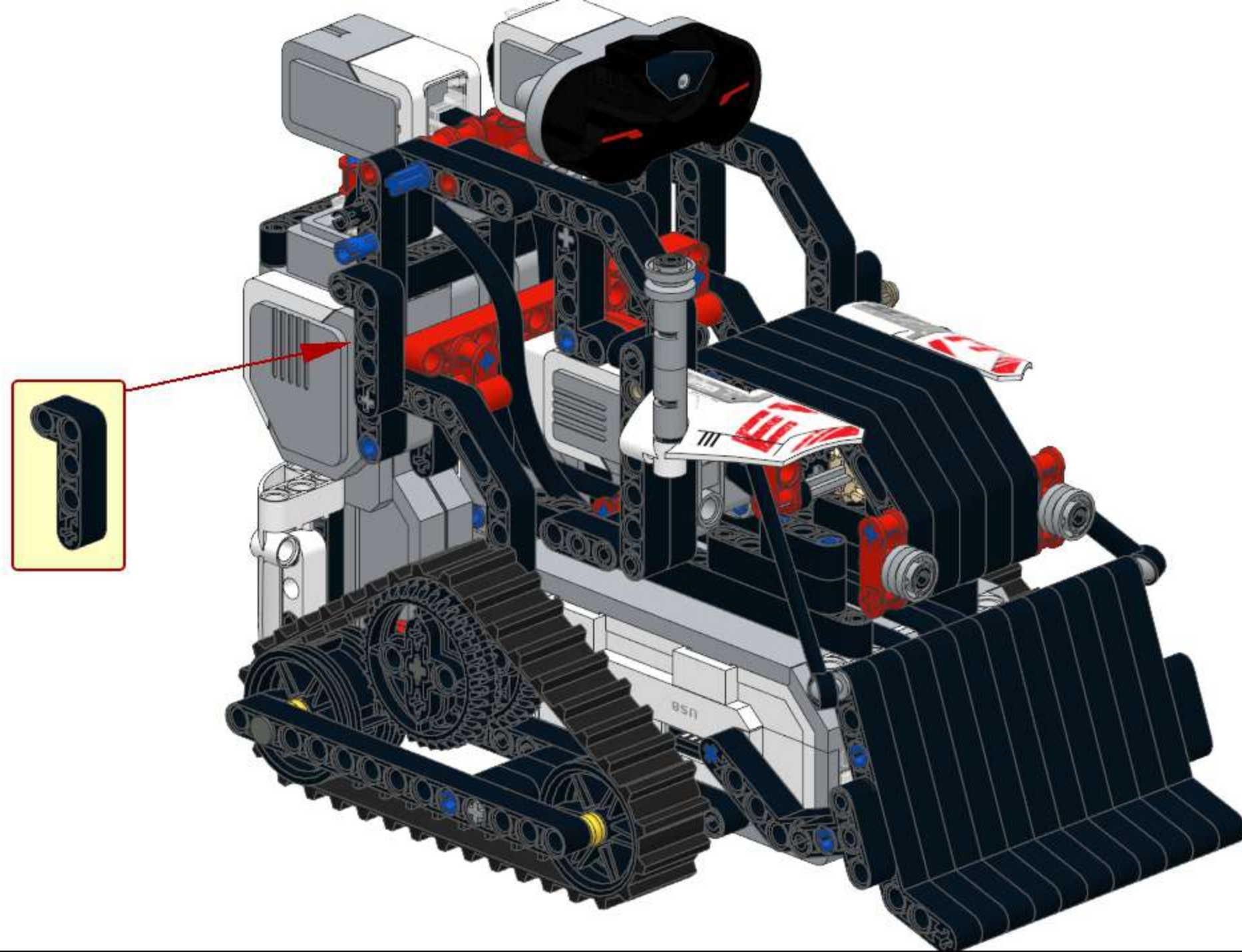




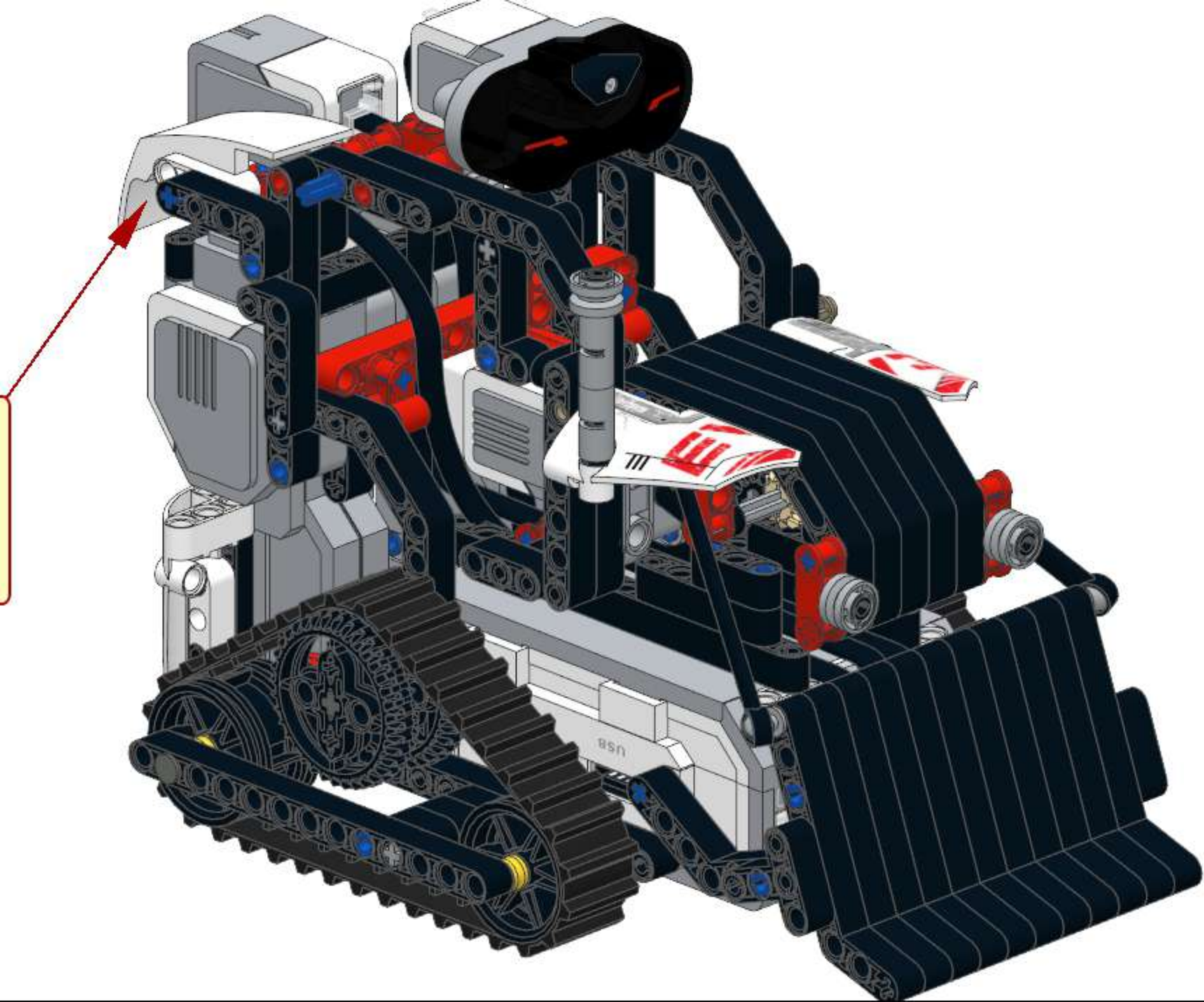
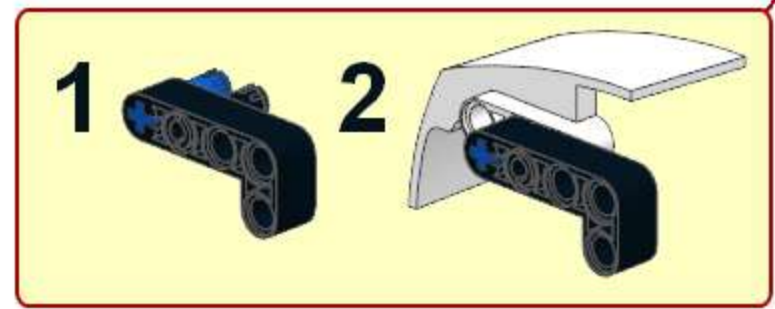
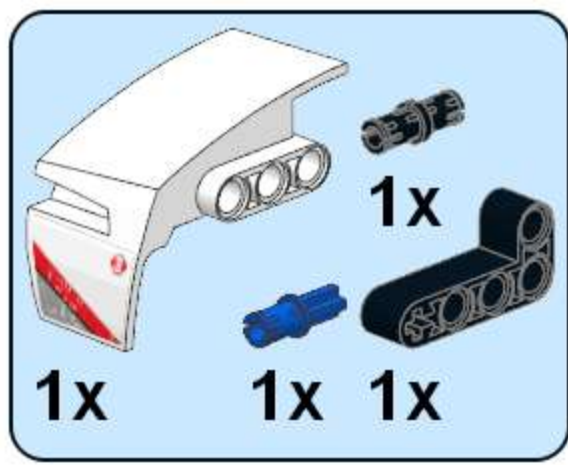
32



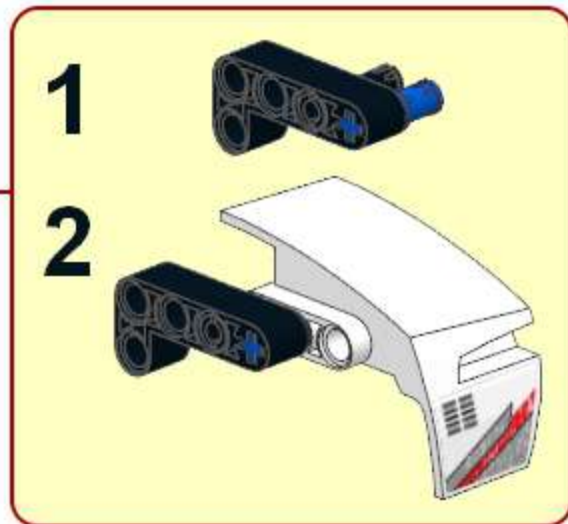
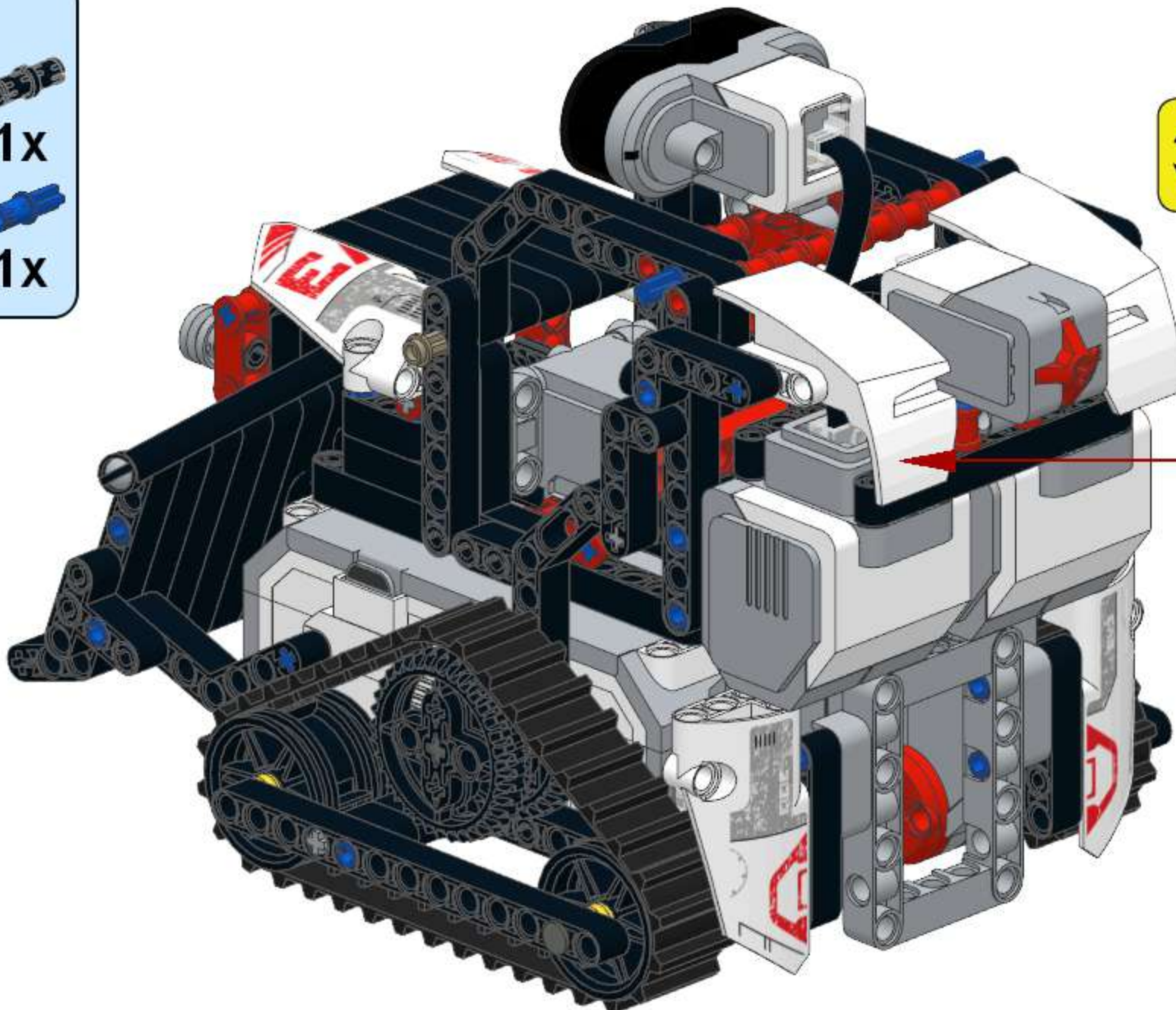
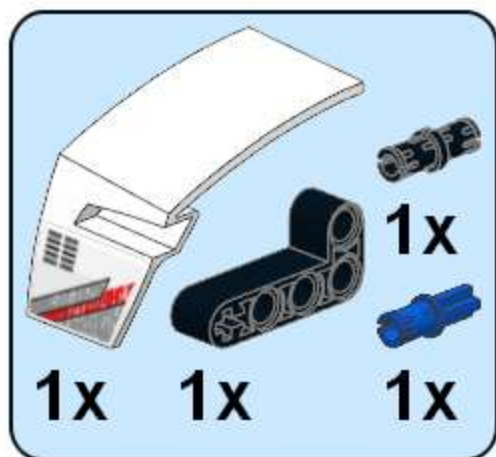
33



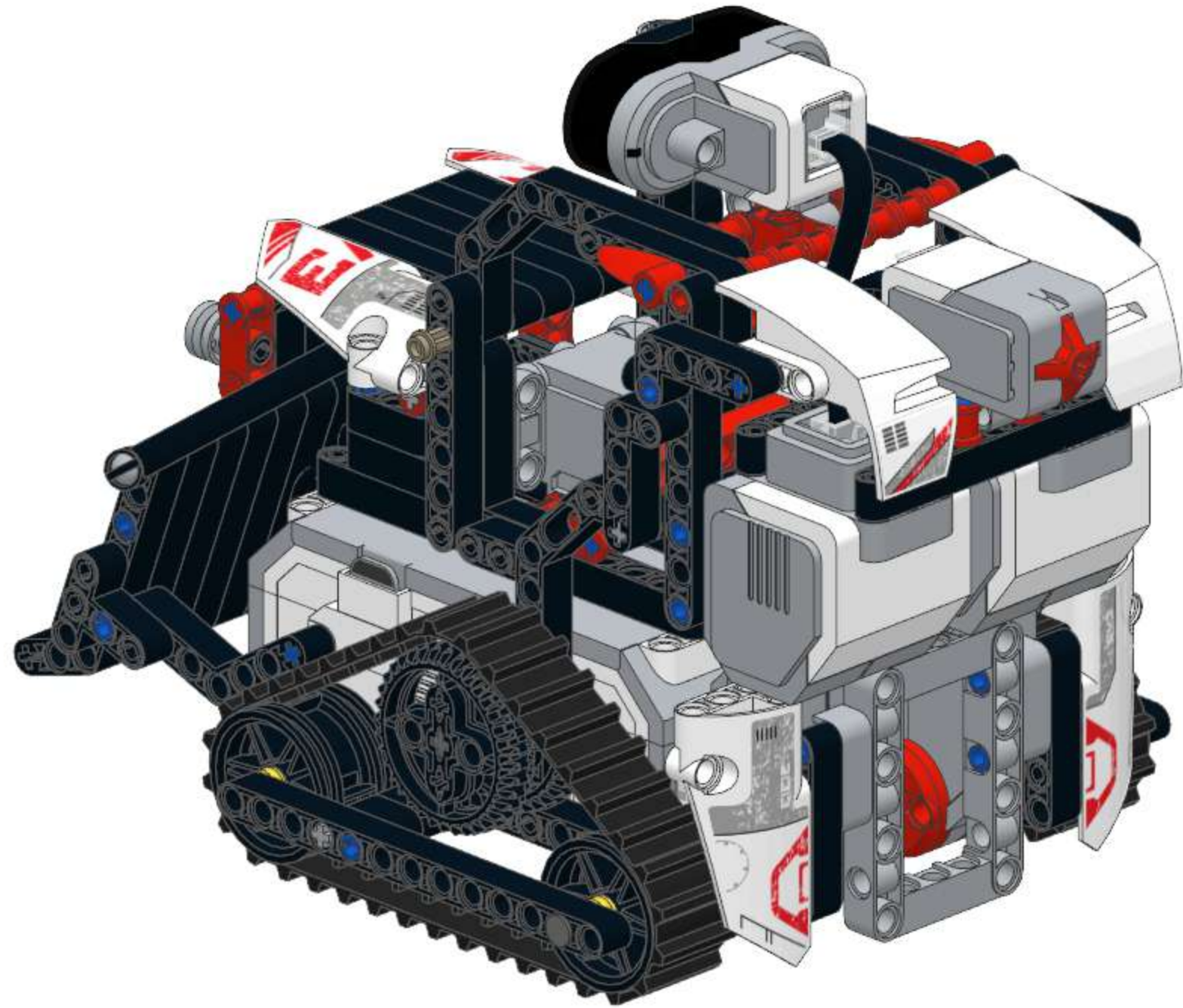
34



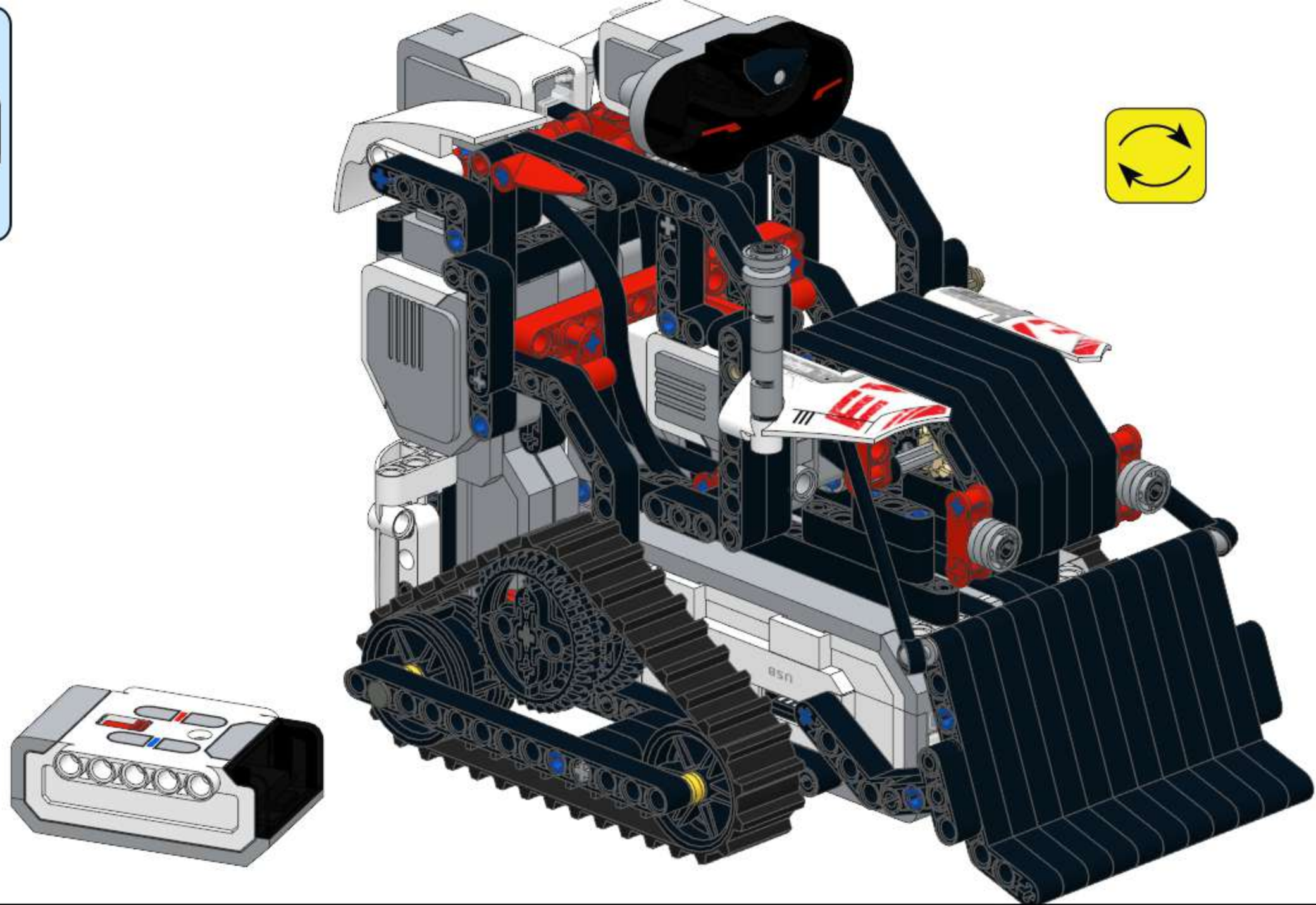
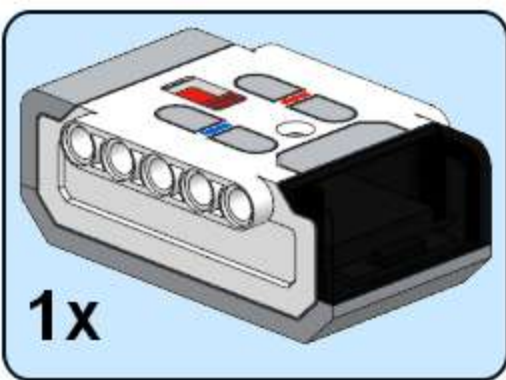
35



36

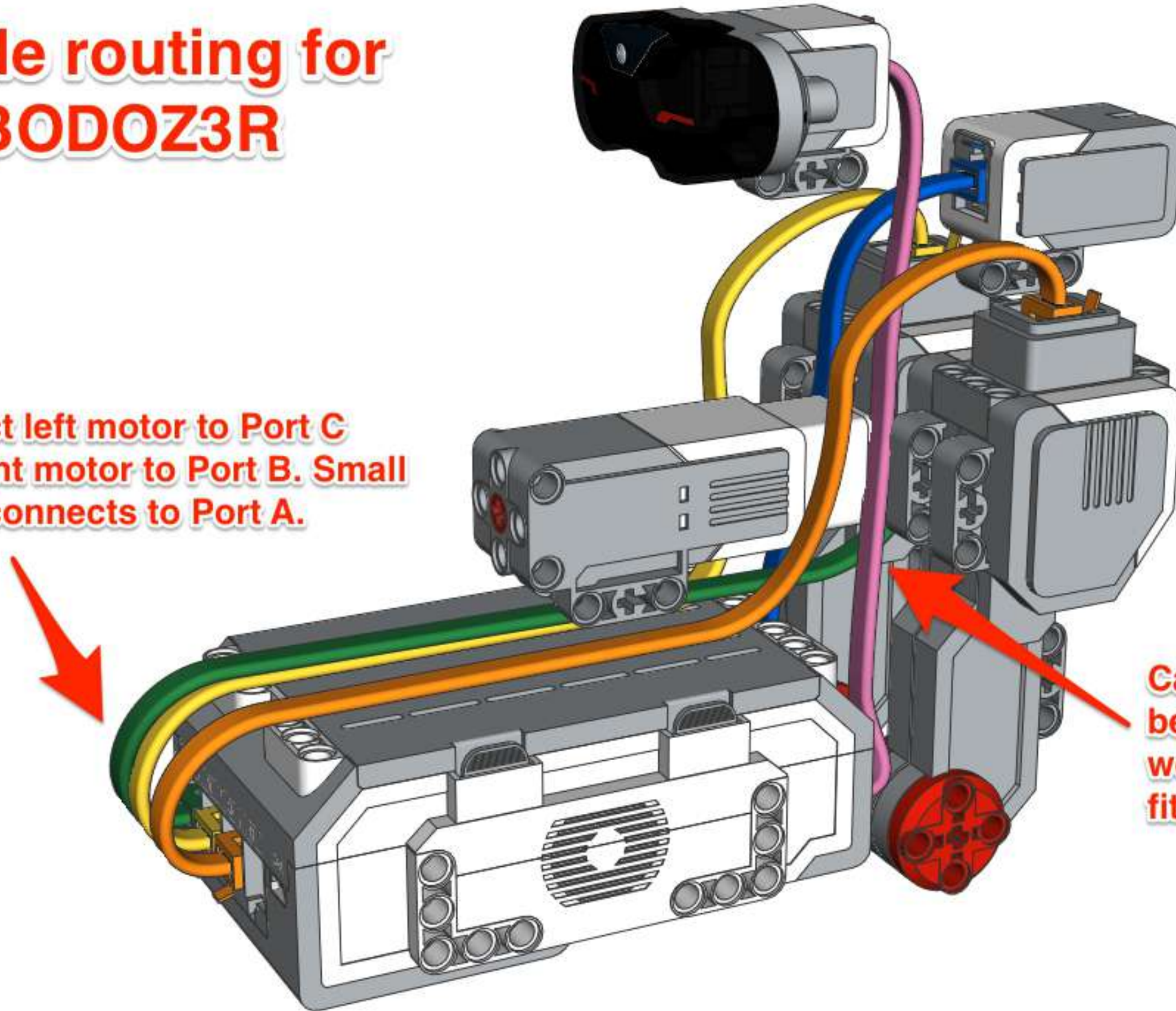


37



Cable routing for ROBODOZ3R

Connect left motor to Port C
and right motor to Port B. Small
motor connects to Port A.



Cables are tricky to fit
between Lego pieces. Don't
worry if you cannot make them
fit on your first go.